



US00D955945S

(12) **United States Design Patent**
Milbank

(10) **Patent No.:** **US D955,945 S**
(45) **Date of Patent:** **** Jun. 28, 2022**

- (54) **MOTORCYCLE DISK BRAKE LOCK**
- (71) Applicant: **Milenco Limited**, Milton Keynes (GB)
- (72) Inventor: **Frederick Nigel Milbank**, Milton Keynes (GB)
- (73) Assignee: **Milenco Limited**, Buckinghamshire (GB)

D561,666	S	*	2/2008	Nakayama	D12/180
D606,840	S	*	12/2009	Gould	D8/331
D608,180	S	*	1/2010	Buseman	D8/333
D628,524	S	*	12/2010	Golling	D12/180
2005/0103584	A1	*	5/2005	Hogesta	E05B 67/36 188/265
2010/0212371	A1	*	8/2010	Foti	B62H 5/18 70/57.1
2019/0359233	A1	*	11/2019	Kato	F16D 65/02

- (**) Term: **15 Years**
- (21) Appl. No.: **29/737,703**
- (22) Filed: **Jun. 11, 2020**

(30) **Foreign Application Priority Data**

- Jan. 8, 2020 (GB) 6080563
- (51) **LOC (13) Cl.** **12-16**
- (52) **U.S. Cl.**
USPC **D12/180**
- (58) **Field of Classification Search**
USPC D12/174, 179, 180, 207-209, 400;
D8/331, 343
CPC F16D 65/128; F16D 65/12; F16D 65/123;
F16D 65/127; F16D 2065/1328
See application file for complete search history.

(56) **References Cited**

U.S. PATENT DOCUMENTS

D352,223	S	*	11/1994	Shieh	D8/333
D389,031	S	*	1/1998	Lam	D8/333
5,916,279	A	*	6/1999	Shieh	B62H 5/18 70/33
6,553,793	B1	*	4/2003	Chen	B62H 5/18 70/233
D548,656	S	*	8/2007	Hanamura	D12/180

OTHER PUBLICATIONS

“XX6 BLE Disc-Lock Alarm” Xena., posted date Apr. 9, 2019 [online], [retrieved on Nov. 17, 2021]. Retrieved from the Internet <URL:https://www.xenasecurity.com/the-best-locks-for-motorcycles/disc-lock-alarms/xx6-bluetooth/> (Year: 2019).*

(Continued)

Primary Examiner — Darlington Ly

Assistant Examiner — Nasim Abdulaziz Ali

(74) *Attorney, Agent, or Firm* — Burns & Levinson LLP; Bruce D. Jobse; Marlo Schepper Grolnic

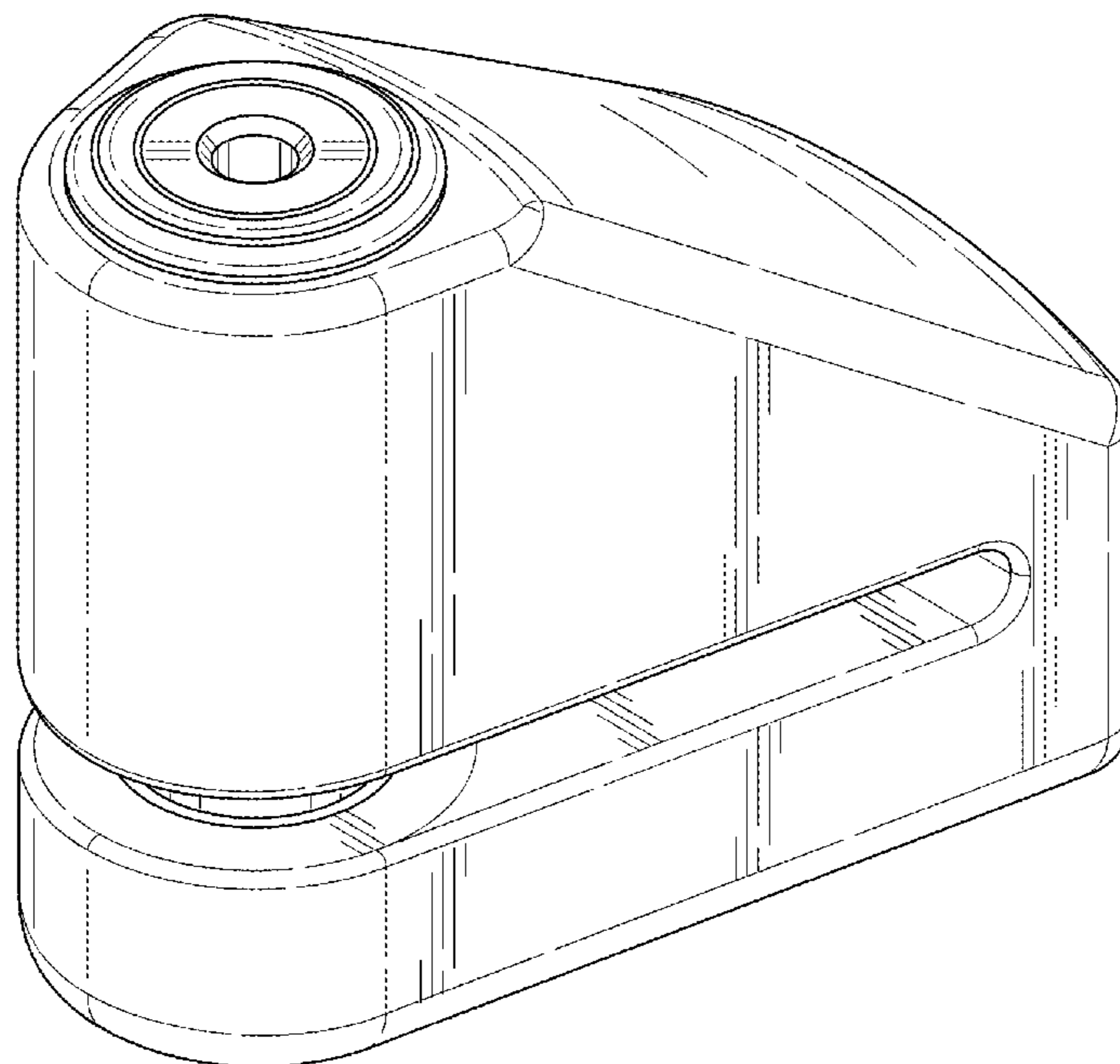
(57) **CLAIM**

The ornamental design for a motorcycle disk brake lock, as shown and described.

DESCRIPTION

FIG. 1 is a right side elevation view of the motorcycle disk brake lock, embodying my new design, the left side elevation view being a mirror image thereof; FIG. 2 is a front elevation view thereof; FIG. 3 is a top plan view thereof; FIG. 4 is a bottom plan view thereof; FIG. 5 is a top, front and right side perspective view thereof; and, FIG. 6 is a top, rear and right side perspective view thereof.

1 Claim, 6 Drawing Sheets



(56)

References Cited

OTHER PUBLICATIONS

“ABUS AB79270 Padlock, Grey, 16 mm” ABUS., posted date Jun. 7, 2019 [online], [retrieved on Nov. 17, 2021]. Retrieved from the Internet <URL:<https://www.amazon.com/ABUS-AB79270-Padlock-Grey-16/dp/B076JCMC6Q>> (Year: 2019).*

“Oxford LK267 Quartz XD10 motorcycle disc lock” Oxford., posted date May 12, 2016 [online], [retrieved on Nov. 17, 2021]. Retrieved from the Internet <URL:<https://www.amazon.co.uk/Oxford-Quartz-XD10-motorcycle-yellow/dp/B01FKI3NQ4?currency=USD&th=1>> (Year: 2016).*

“Mysbiker Alarm Disc Lock” Mysbiker., posted date Jul. 12, 2017 [online], [retrieved on Nov. 17, 2021]. Retrieved from the Internet <URL:<https://www.amazon.com/MYSBIKER-Waterproof-Security-Suitable-Harley/dp/B079KYJ3FS>> (Year: 2017).*

* cited by examiner

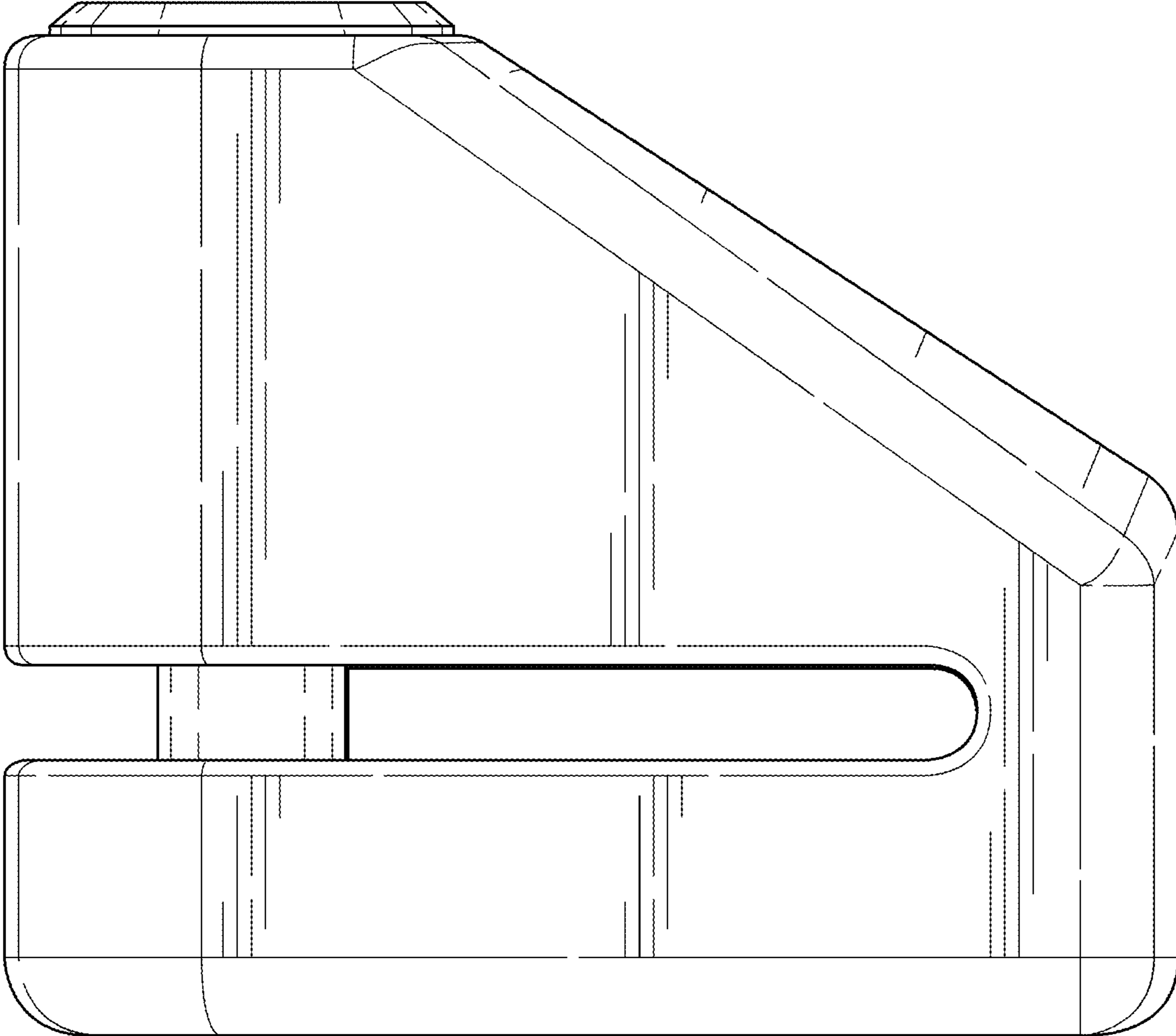


FIG. 1

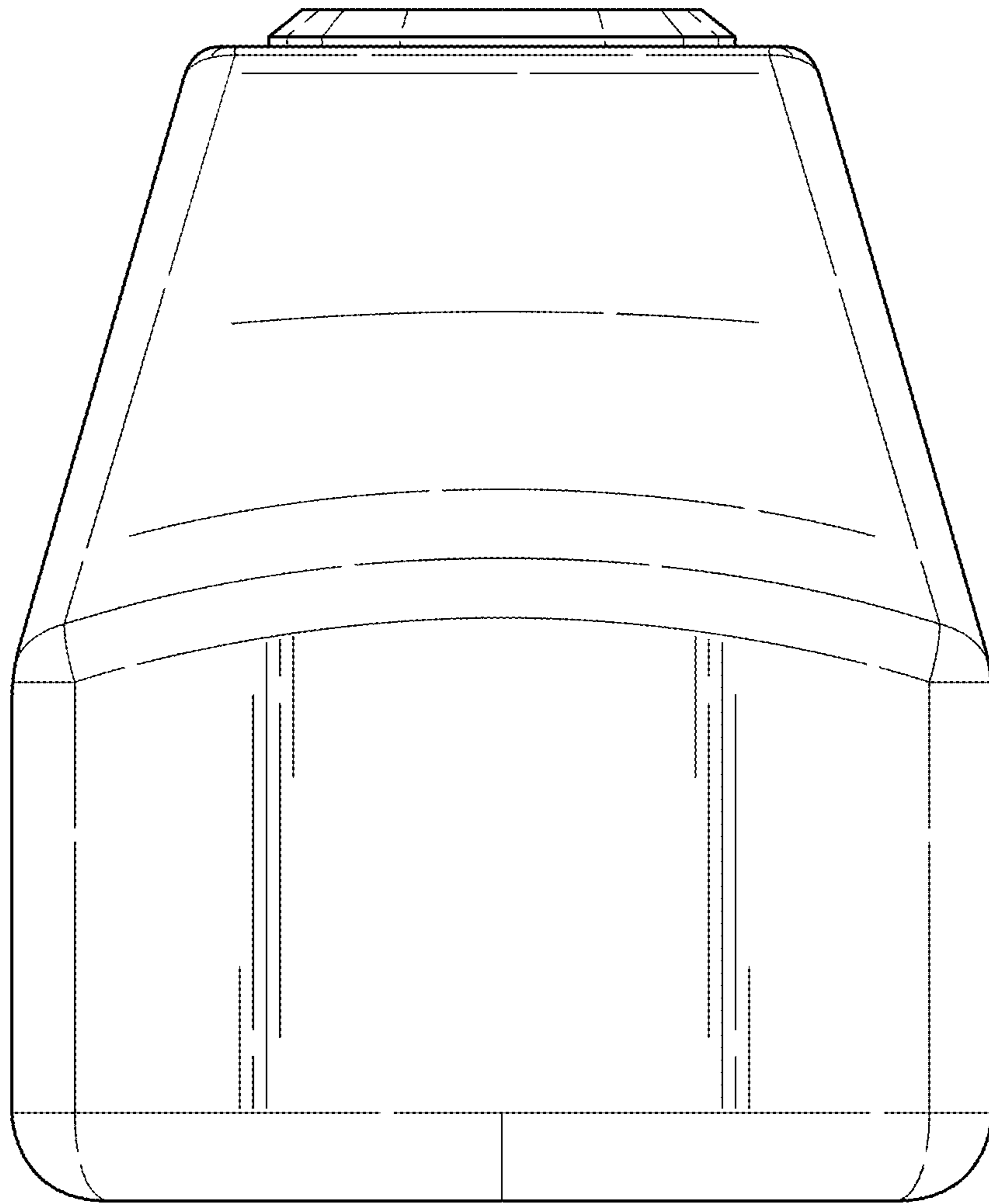


FIG. 2

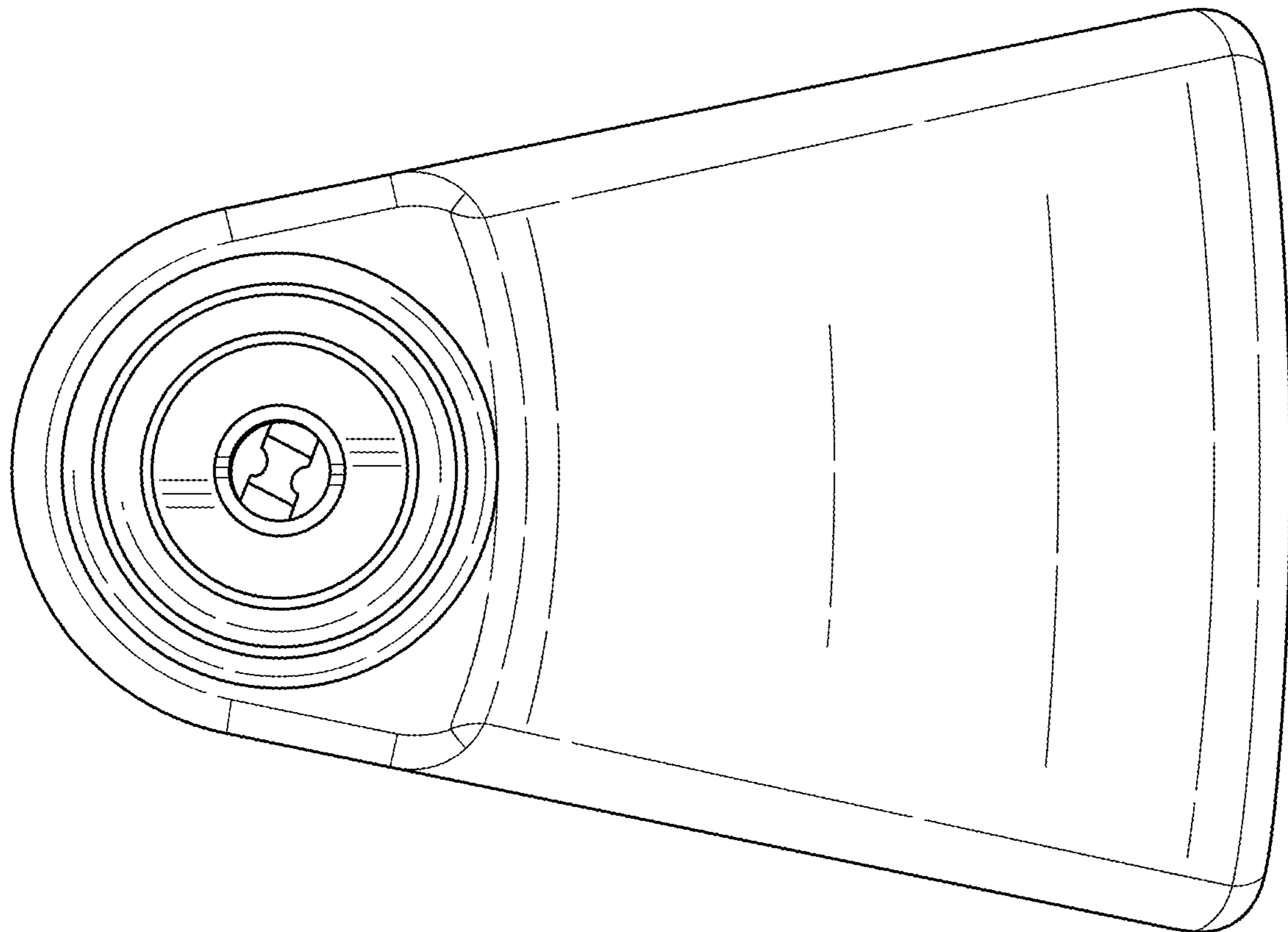


FIG. 3

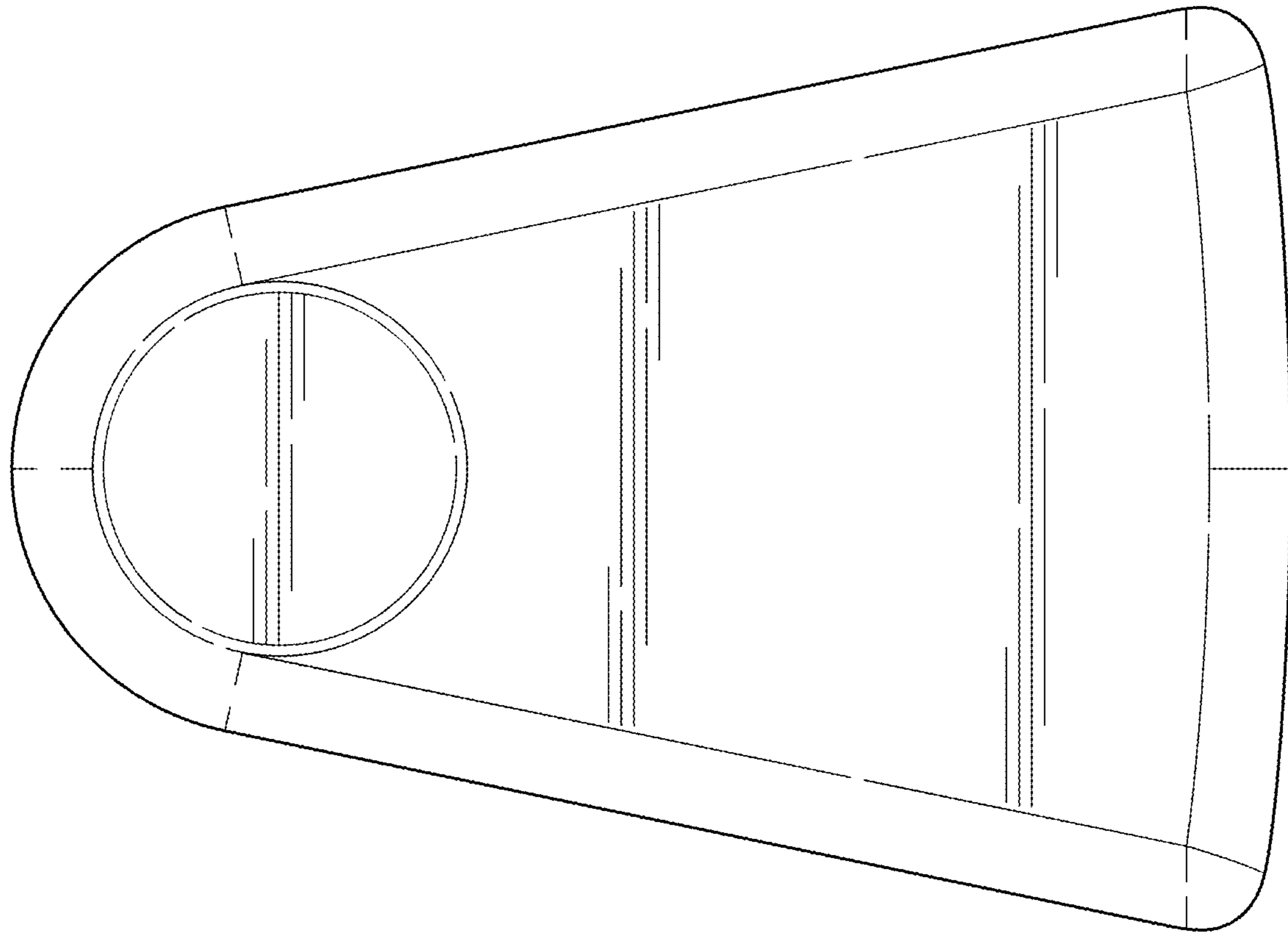


FIG. 4

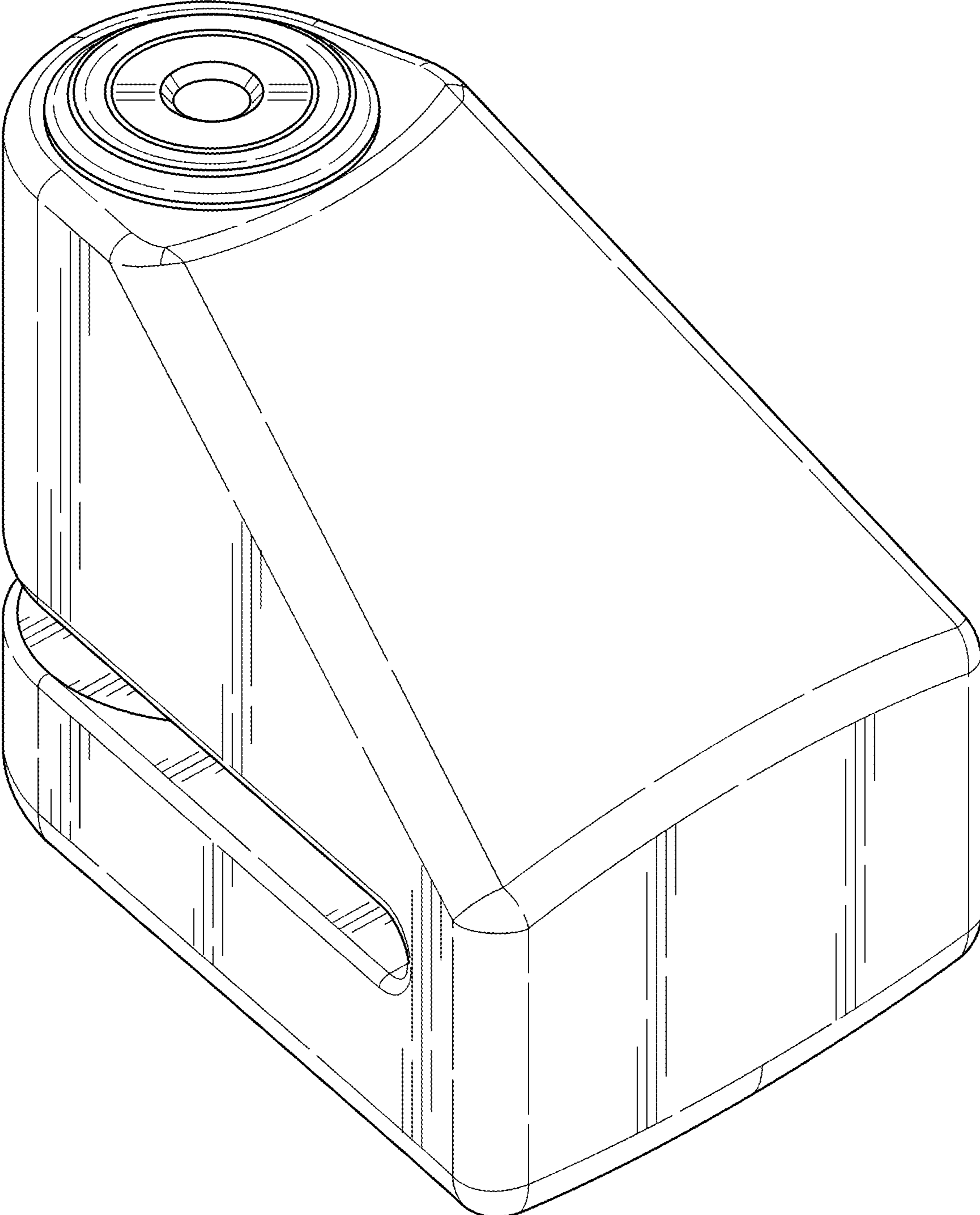


FIG. 5

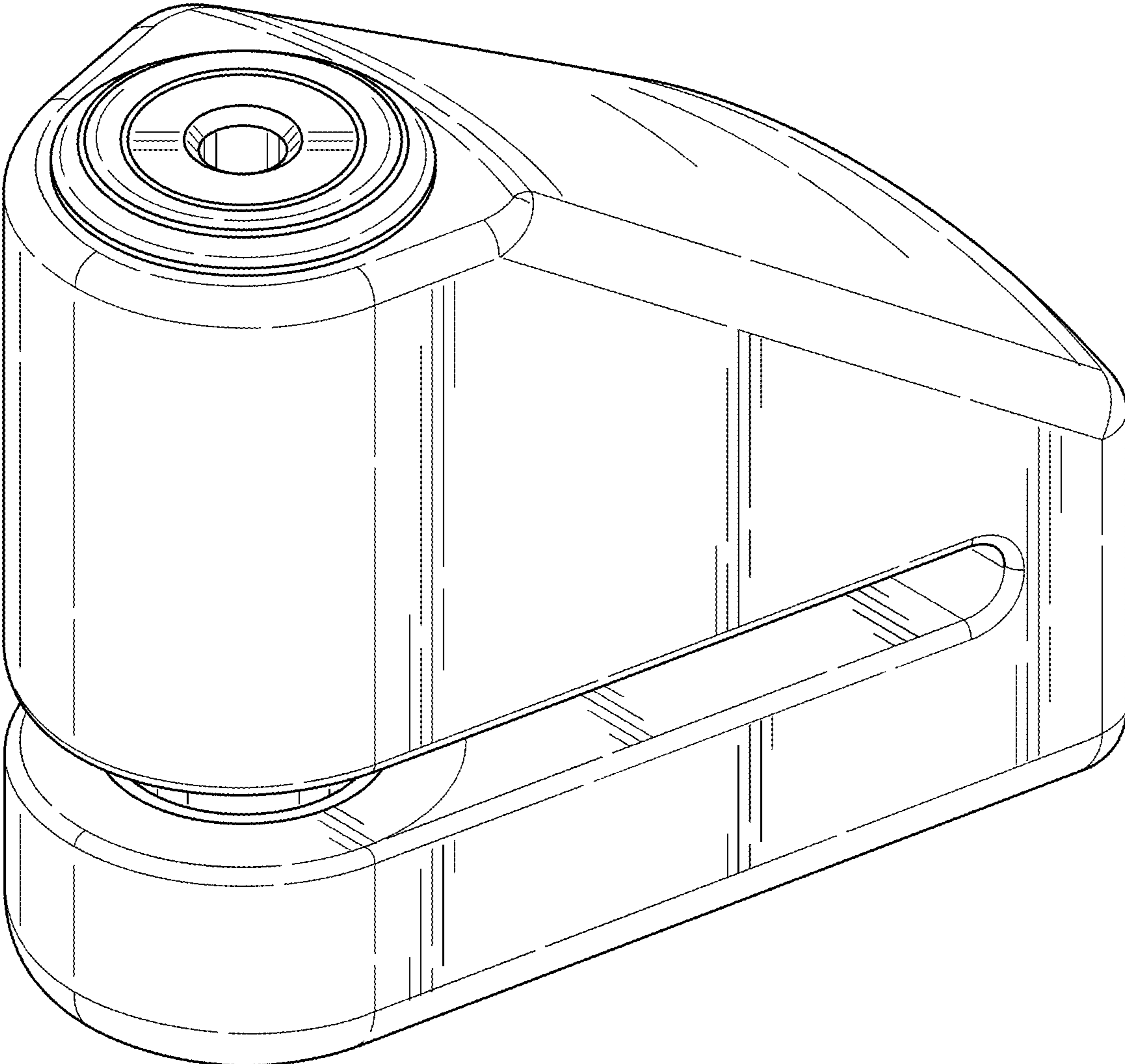


FIG. 6