



US00D955942S

(12) **United States Design Patent**
Kim et al.

(10) **Patent No.: US D955,942 S**
(45) **Date of Patent: ** Jun. 28, 2022**

(54) **FRONT BUMPER COVER FOR AUTOMOBILE**
(71) Applicants: **KIA MOTORS CORPORATION**, Seoul (KR); **HYUNDAI MOTOR COMPANY**, Seoul (KR)

(72) Inventors: **Tae-Hoon Kim**, Seoul (KR); **Tae-hyung Kim**, Incheon (KR)

(**) Term: **15 Years**

(21) Appl. No.: **35/511,132**

(22) Filed: **Sep. 25, 2020**

(80) **Hague Agreement Data**

Int. Filing Date: **Sep. 25, 2020**
Int. Reg. No.: **DM/212009**
Int. Reg. Date: **Sep. 25, 2020**
Int. Reg. Pub. Date: **Jan. 15, 2021**

(30) **Foreign Application Priority Data**

Mar. 31, 2020 (KR) 30-2020-0014173

(51) **LOC (13) Cl.** **12-16**

(52) **U.S. Cl.**
USPC **D12/169**

(58) **Field of Classification Search**
USPC D12/86, 90, 91, 92, 163, 164, 169, 171, D12/196, 216

CPC B60R 19/02; B60R 19/12; B60R 19/18; B60R 19/24; B60R 19/52; B60R 19/56; B60R 2019/007; B62D 25/0845

See application file for complete search history.

(56) **References Cited**

U.S. PATENT DOCUMENTS

4,597,603 A * 7/1986 Trabert B62D 25/084 403/4
5,071,500 A * 12/1991 Kumagai B29C 66/1312 156/499

6,676,179 B2 * 1/2004 Sato B60R 19/12 293/121
6,886,872 B2 * 5/2005 Matsumoto B60R 19/18 293/120
7,192,068 B1 * 3/2007 Kim B60R 19/18 293/133
7,434,872 B2 * 10/2008 Steller B60R 21/34 296/193.09
8,132,851 B2 * 3/2012 Steller B60R 19/12 293/133
8,157,303 B2 * 4/2012 Fortin B60R 19/52 293/115
9,079,551 B2 * 7/2015 Imamura B60R 19/24
9,580,030 B2 * 2/2017 Hammer B60R 19/34
9,821,739 B2 * 11/2017 Yabu B60R 19/18
D817,826 S * 5/2018 Seo D12/169

(Continued)

OTHER PUBLICATIONS

“2022 Hyundai—Sonata Sonata Hybrid.” Hyundai., Sep. 8, 2020 [online], [retrieved on Nov. 29, 2021]. Retrieved from the Internet <URL: <https://cdn.dealereprocess.org/cdn/brochures/hyundai/2021-sonata.pdf>>.*

(Continued)

Primary Examiner — Darlington Ly

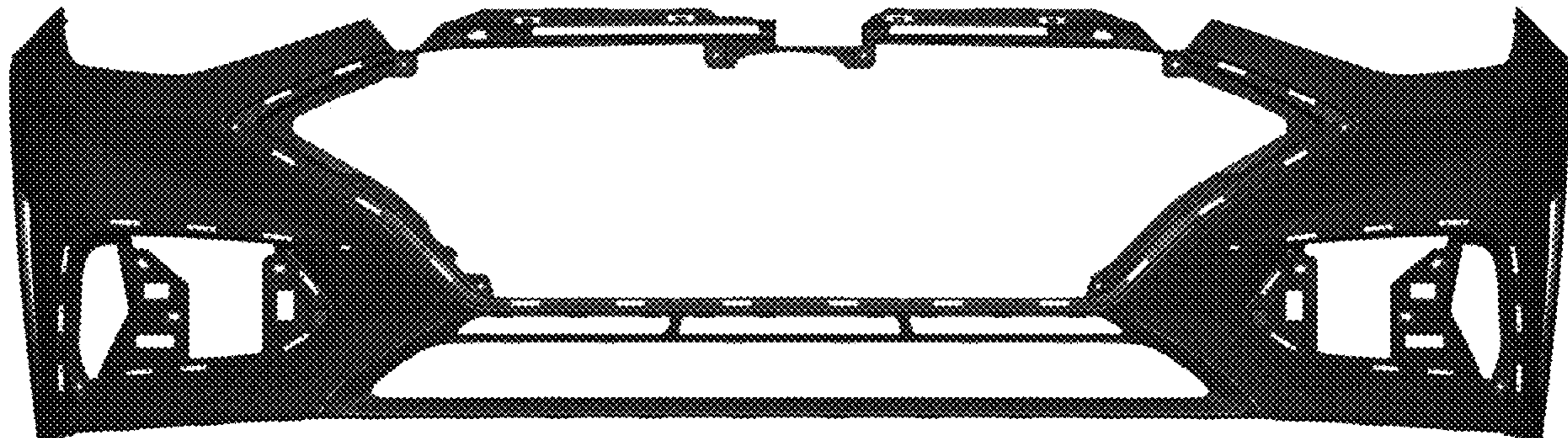
(57) **CLAIM**

The ornamental design for a front bumper cover for automobile, as shown and described.

DESCRIPTION

1. Front bumper cover for automobile
1.1 is a front perspective view of a front bumper cover for automobile embodying our new design;
1.2 is a front elevation view thereof;
1.3 is a rear elevation view thereof;
1.4 is a right side elevation view thereof;
1.5 is a left side elevation view thereof;
1.6 is a top plan view thereof; and
1.7 is a bottom plan view thereof.

1 Claim, 7 Drawing Sheets



(56)

References Cited

U.S. PATENT DOCUMENTS

D823,748	S	*	7/2018	Sunhwan	D12/169
D825,411	S	*	8/2018	Gueler	D12/169
D827,515	S	*	9/2018	Whang	D12/169
D839,154	S	*	1/2019	Kim	D12/169
D850,996	S	*	6/2019	Betancourt	D12/169
D856,226	S	*	8/2019	Shin	D12/169
D856,873	S	*	8/2019	Kim	D12/169
D870,610	S	*	12/2019	Tonello	D12/169
D870,613	S	*	12/2019	Lee	D12/169
D871,282	S	*	12/2019	Lee	D12/169
D871,983	S	*	1/2020	Kim	D12/169
10,596,994	B2	*	3/2020	Yoshimoto	B60R 21/34
D881,083	S	*	4/2020	Blanski	D12/169
D883,152	S	*	5/2020	Metros	D12/169
D892,687	S	*	8/2020	Kim	D12/169
D909,931	S	*	2/2021	Toriyama	D12/169
D915,958	S	*	4/2021	Lee	D12/169
D918,792	S	*	5/2021	Koo	D12/169

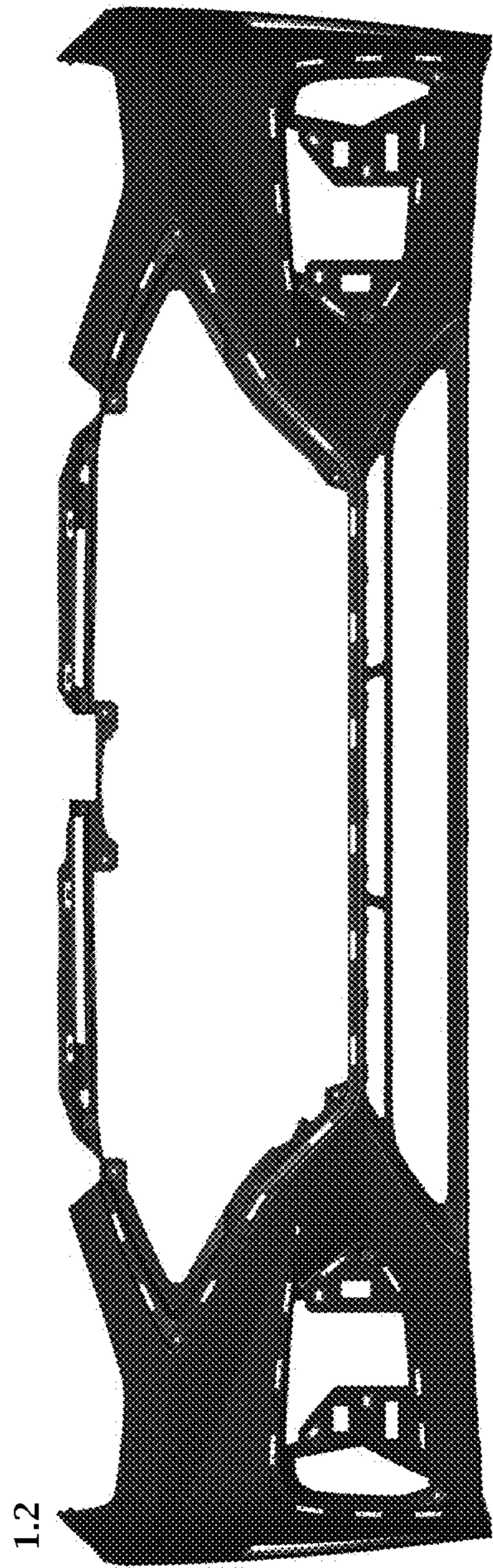
OTHER PUBLICATIONS

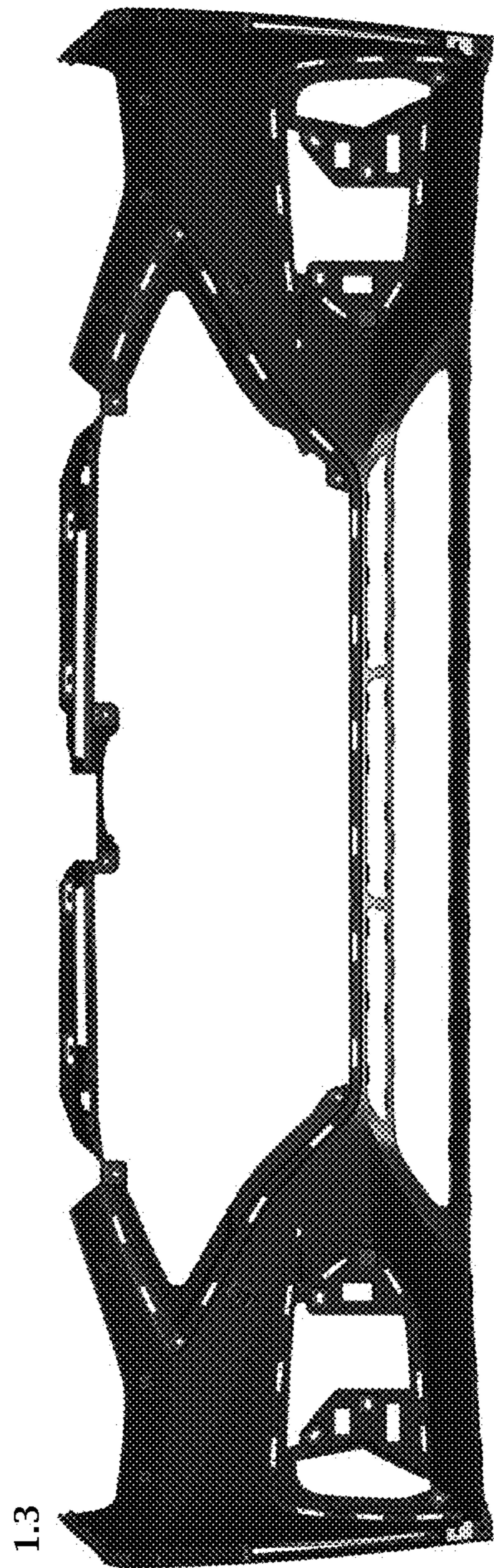
“2022 Sonata.” Hyundai., Jun. 28, 2021 [online], [retrieved on Nov. 29, 2021]. Retrieved from the Internet <URL: <https://cdn.dealereprocess.org/cdn/brochures/hyundai/2022-sonata.pdf>>.*

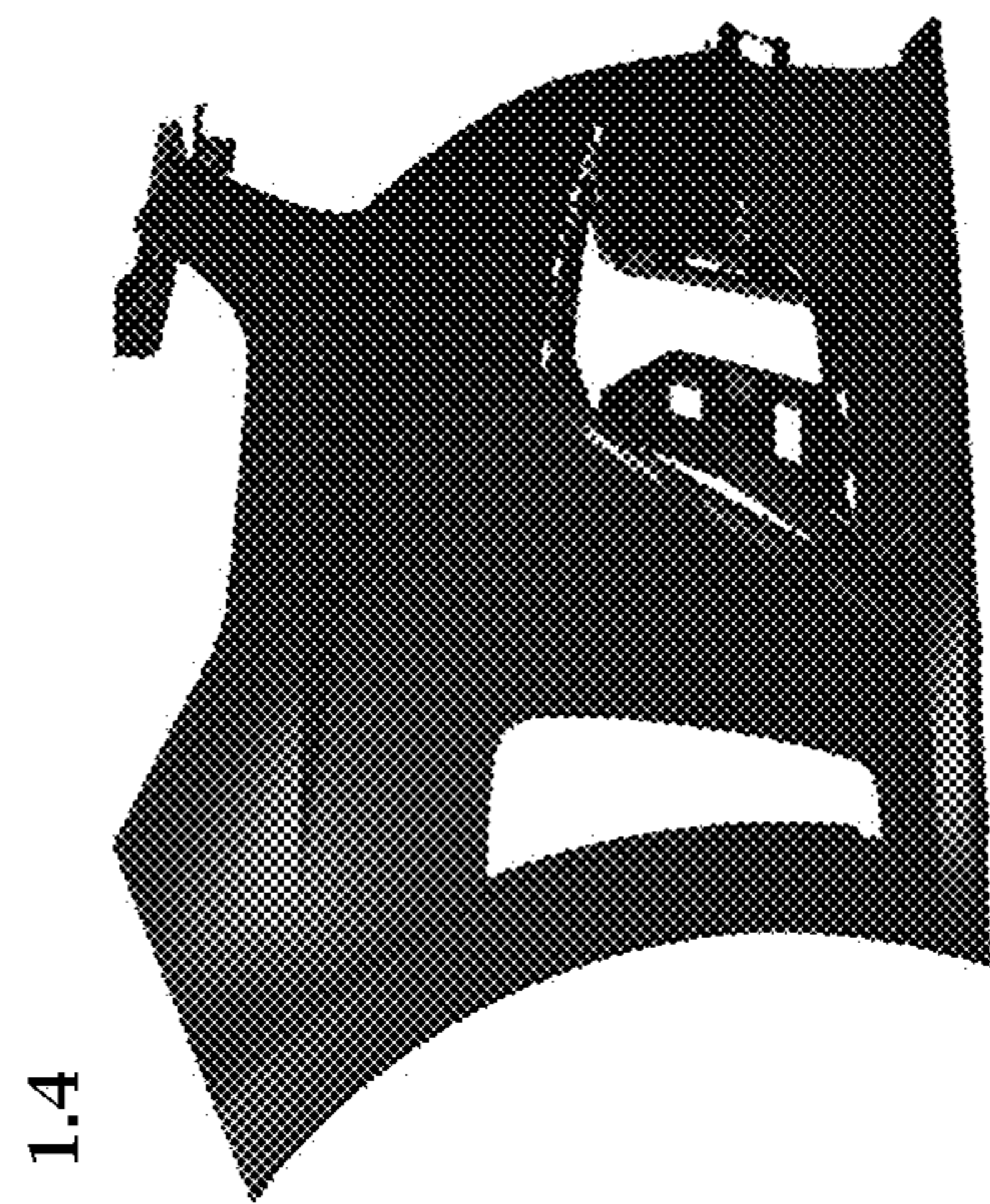
“2020 Hyundai Sonata.” Hyundai., Dec. 20, 2019 [online], [retrieved on Nov. 29, 2021]. Retrieved from the Internet <URL: <https://cdn.dealereprocess.org/cdn/brochures/hyundai/2020-sonata.pdf>>.*

* cited by examiner

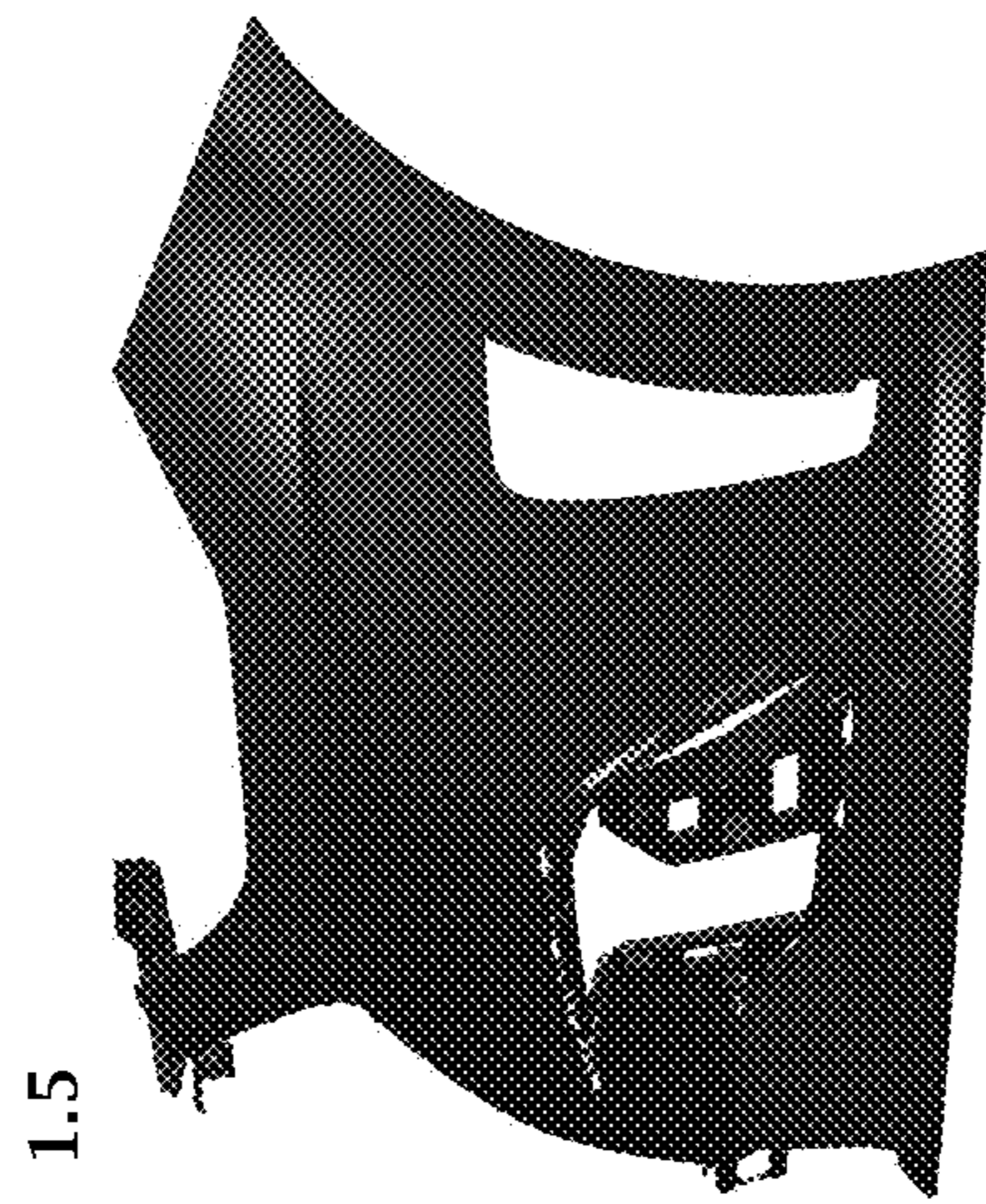


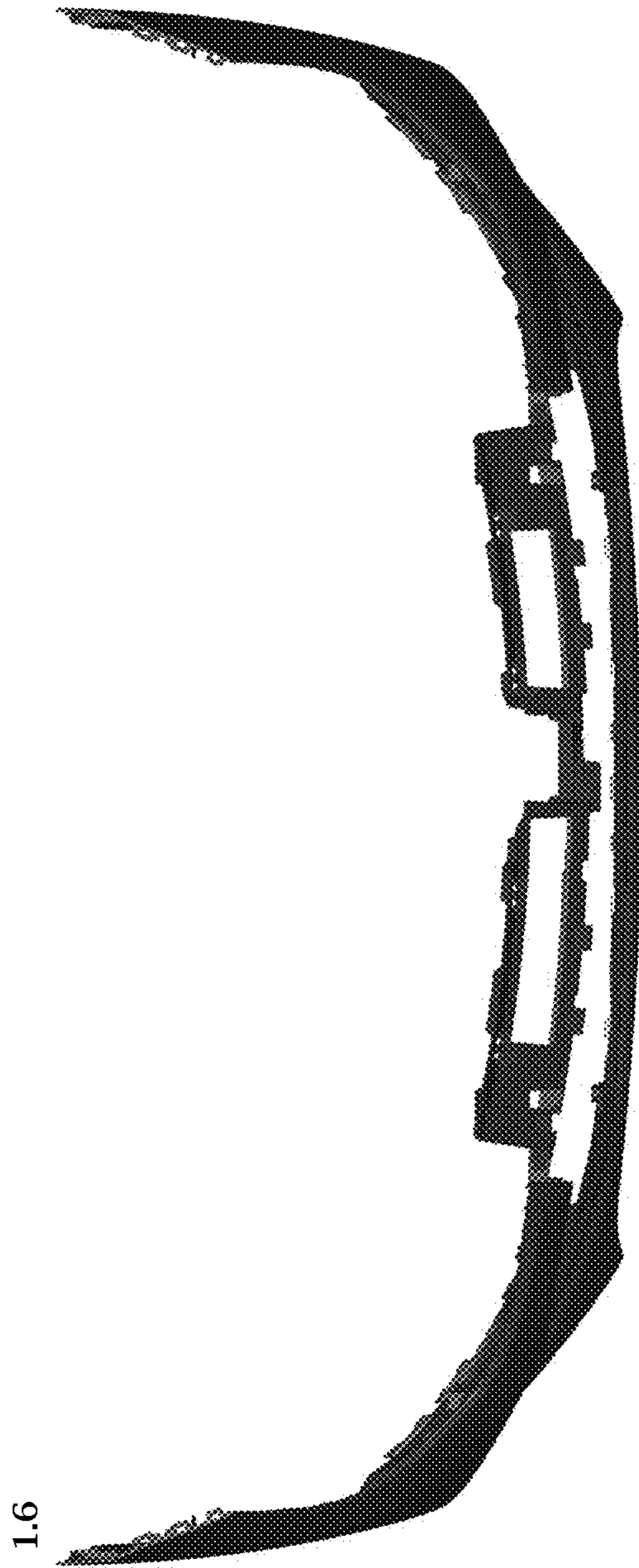




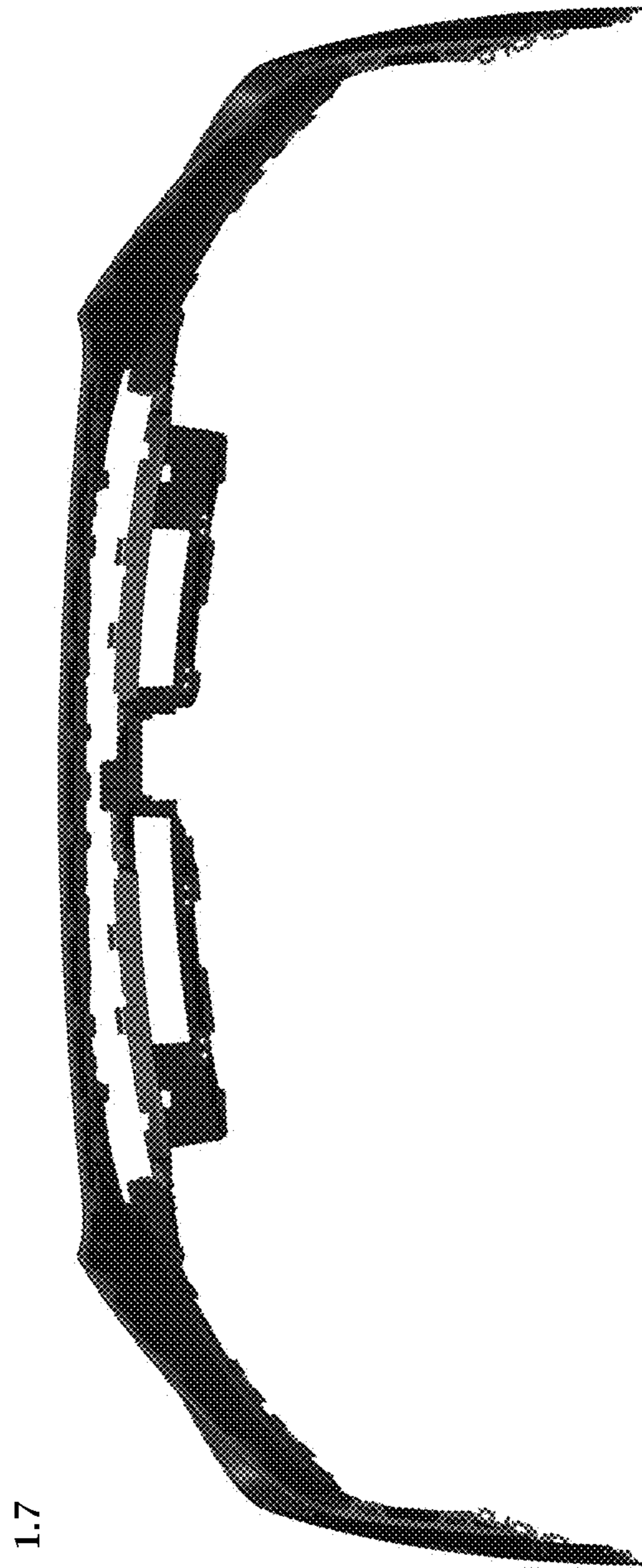


1.4





1.6



1.7