



US00D955937S

(12) **United States Design Patent** (10) **Patent No.:** **US D955,937 S**
Chen et al. (45) **Date of Patent:** **** Jun. 28, 2022**

(54) **VEHICLE REAR FASCIA**
(71) Applicant: **GM GLOBAL TECHNOLOGY OPERATIONS LLC**, Detroit, MI (US)
(72) Inventors: **Fangkuo Chen**, Seoul (KR); **Jinhyoung Park**, Seoul (KR)
(73) Assignee: **GM Global Technology Operations LLC**, Detroit, MI (US)

D753,035 S 4/2016 Boniface et al.
D753,567 S 4/2016 Boniface et al.
D758,271 S 6/2016 McMahan et al.
D767,454 S 9/2016 McMahan et al.
D767,459 S 9/2016 Kim
D767,461 S 9/2016 Kozub et al.
D776,021 S 1/2017 Kapitonov
D776,581 S 1/2017 Pevovar et al.
D778,212 S 2/2017 Kozub et al.
D780,077 S 2/2017 Kim et al.
D783,482 S 4/2017 Smith et al.

(Continued)

(**) Term: **15 Years**

(21) Appl. No.: **29/762,401**

(22) Filed: **Dec. 16, 2020**

(51) **LOC (13) Cl.** **12-16**

(52) **U.S. Cl.**
USPC **D12/169**

(58) **Field of Classification Search**
USPC D12/86, 88, 89, 90, 91, 92, 93, 96, 163, D12/164, 167, 169, 171, 172, 173, 181, D12/184, 185, 190, 192, 196, 400; D21/533, 548, 552, 561
CPC B62D 25/02; B62D 25/04; B62D 25/16; B62D 25/18; B62D 25/161; B62D 25/168; B62D 25/182; B62D 25/184; B60J 5/00; B60J 5/02; B60J 5/04; B60J 5/10; B60R 13/04; B60R 13/0861; B60R 19/00

See application file for complete search history.

(56) **References Cited**

U.S. PATENT DOCUMENTS

D644,577 S * 9/2011 Messale D12/169
D704,603 S 5/2014 Munson et al.
D708,994 S 7/2014 Thurber
D711,294 S 8/2014 Karras et al.
D733,018 S 6/2015 McCabe et al.
D743,313 S 11/2015 Smith et al.
D743,314 S 11/2015 Thole et al.
D749,997 S 2/2016 McMahan et al.
D753,032 S 4/2016 Smith et al.
D753,033 S 4/2016 Thole et al.

OTHER PUBLICATIONS

2022 Bolt EUV, Published date unavailable [online], [retrieved on Mar. 24, 2022]. Retrieved from the Internet: https://www.chevrolet.com/electric/shopping/configurator/model?configCode=2022%2B1FF48_2LT%2B2LT%2BAR7%2BEN0%2BFE9%2BGSJ%2BH1N%2BBIOS%2BMMF%2BRSB&radius=250&zipCode=48362 (Year: 2022).*

Primary Examiner — Cary M Robinson

Assistant Examiner — Adam C Mager

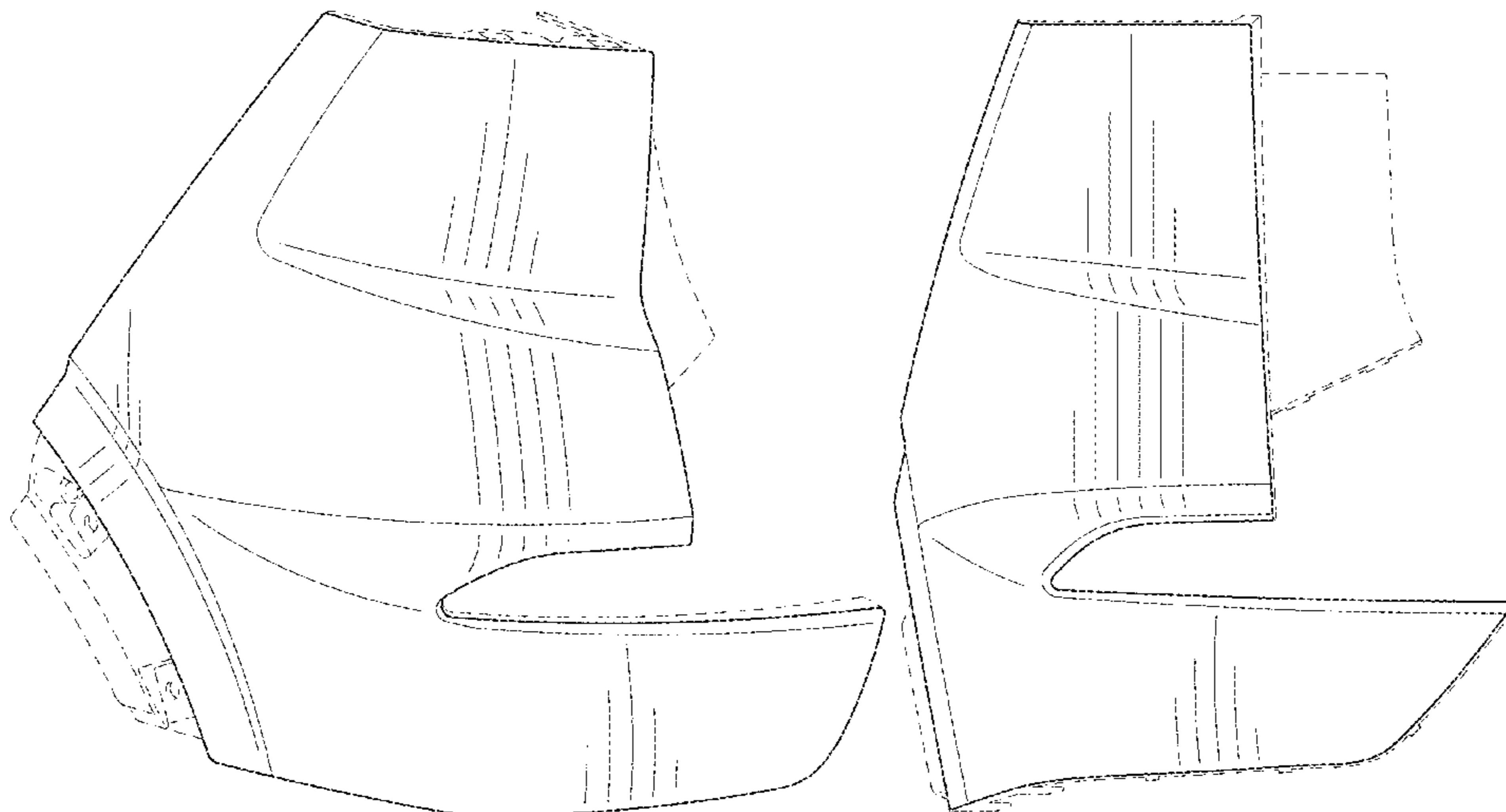
(57) **CLAIM**

The ornamental design for a vehicle rear fascia, as shown and described.

DESCRIPTION

FIG. 1 is a front and left perspective view of a vehicle rear fascia showing our new design; the mirror image of the vehicle rear fascia is claimed, but not shown; FIG. 2 is a front elevation view of the vehicle rear fascia of FIG. 1; FIG. 3 is a left elevation view thereof; FIG. 4 is a right elevation view thereof; FIG. 5 is a top view thereof; FIG. 6 is a back elevation view thereof; and, FIG. 7 is a bottom view thereof. The broken lines in the drawings depict portions of the vehicle rear fascia that form no part of the claimed design.

1 Claim, 7 Drawing Sheets



(56)

References Cited

U.S. PATENT DOCUMENTS

D784,886 S	4/2017	Smith et al.	D839,163 S	1/2019	Pinazzo et al.
D787,989 S	5/2017	Kozub et al.	D840,306 S	2/2019	Kozub
D788,001 S	5/2017	Lee	D841,547 S *	2/2019	Zipfel D12/196
D789,575 S	6/2017	Willett	D843,904 S	3/2019	Kim
D789,849 S	6/2017	Lee	D845,186 S *	4/2019	Koo D12/169
D792,294 S	7/2017	McCabe et al.	D845,188 S	4/2019	Pinazzo et al.
D793,294 S	8/2017	Lee	D845,189 S	4/2019	Pinazzo et al.
D793,295 S	8/2017	McCabe et al.	D846,457 S	4/2019	Koo et al.
D793,299 S	8/2017	Krieg et al.	D846,458 S	4/2019	Mack et al.
D793,300 S	8/2017	Krieg et al.	D847,043 S	4/2019	Kozub
D797,616 S	9/2017	Lee	D847,045 S	4/2019	Whitla et al.
D797,631 S	9/2017	Pevovar et al.	D847,046 S	4/2019	Whitla et al.
D797,632 S	9/2017	Zipfel et al.	D847,047 S	4/2019	Krieg et al.
D801,236 S	10/2017	Kozub et al.	D847,703 S	5/2019	Kozub
D801,882 S	11/2017	Kozub et al.	D848,909 S	5/2019	Lee
D801,889 S	11/2017	Han	D848,911 S	5/2019	De Leon
D804,370 S	12/2017	Kozub et al.	D849,627 S	5/2019	Zipfel
D804,371 S	12/2017	Whitla et al.	D849,629 S	5/2019	De Leon
D805,441 S	12/2017	Karras	D849,630 S	5/2019	De Leon
D805,985 S	12/2017	Nakamura	D851,558 S	6/2019	Thurber et al.
D811,958 S	3/2018	Zipfel et al.	D851,559 S	6/2019	Thurber et al.
D811,959 S	3/2018	Perkins	D853,924 S	7/2019	Riggs et al.
D811,961 S	3/2018	Sullivan	D854,462 S	7/2019	Lee
D811,962 S	3/2018	Sullivan	D855,504 S	8/2019	Lee
D811,963 S	3/2018	Sullivan	D855,505 S	8/2019	Thurber et al.
D811,965 S	3/2018	Moffett et al.	D855,507 S	8/2019	Blanski et al.
D812,530 S *	3/2018	Bucher D12/167	D856,242 S	8/2019	Blanski et al.
D813,110 S	3/2018	Whitla et al.	D857,260 S	8/2019	Kil et al.
D813,111 S	3/2018	Sullivan	D858,377 S	9/2019	Riggs et al.
D813,116 S	3/2018	Park	D859,237 S	9/2019	Koo et al.
D813,117 S	3/2018	Sullivan	D859,238 S	9/2019	Smith et al.
D813,740 S	3/2018	Park	D859,239 S	9/2019	Sullivan et al.
D813,741 S	3/2018	Perkins	D859,252 S	9/2019	Krieg
D813,742 S	3/2018	McMahan et al.	D859,253 S	9/2019	Izard
D813,743 S	3/2018	Lee	D859,254 S	9/2019	Izard
D813,744 S	3/2018	Whitla et al.	D860,077 S	9/2019	Riggs et al.
D813,748 S	3/2018	Kim	D860,079 S	9/2019	Sullivan et al.
D813,753 S	3/2018	Loeb	D863,142 S	10/2019	Zipfel
D813,754 S	3/2018	Loeb	D863,169 S	10/2019	Whitla et al.
D813,755 S	3/2018	Loeb	D867,949 S	11/2019	Thurber et al.
D813,756 S	3/2018	Loeb	D868,660 S	12/2019	De Leon
D815,572 S	4/2018	Perkins	D873,751 S	1/2020	De Leon
D815,997 S *	4/2018	Ishii D12/169	D877,005 S	3/2020	Luke et al.
D816,003 S	4/2018	Perkins	D877,006 S	3/2020	Luke et al.
D816,563 S	5/2018	McMahan et al.	D881,087 S	4/2020	Luke et al.
D816,565 S	5/2018	Kim	D890,646 S *	7/2020	Owens D12/169
D817,836 S	5/2018	McMahan et al.	D897,255 S	9/2020	Zipfel
D818,922 S	5/2018	Whitla et al.	D897,919 S	10/2020	Choi et al.
D819,519 S	6/2018	Whitla et al.	D901,343 S *	11/2020	Bucher D12/169
D822,551 S	7/2018	McMahan et al.	D902,800 S *	11/2020	Gay D12/169
D823,762 S	7/2018	Loeb	D902,801 S	11/2020	Gay
D823,763 S	7/2018	Koo et al.	D903,568 S	12/2020	Choi et al.
D828,246 S	9/2018	Loeb	D926,094 S *	7/2021	Montoya Bueloni D12/184
D828,261 S	9/2018	Moffett et al.	D930,521 S *	9/2021	Choi D12/169
D829,143 S	9/2018	McMahan et al.	D931,176 S *	9/2021	Choi D12/196
			D937,151 S *	11/2021	Wraith D12/169

* cited by examiner

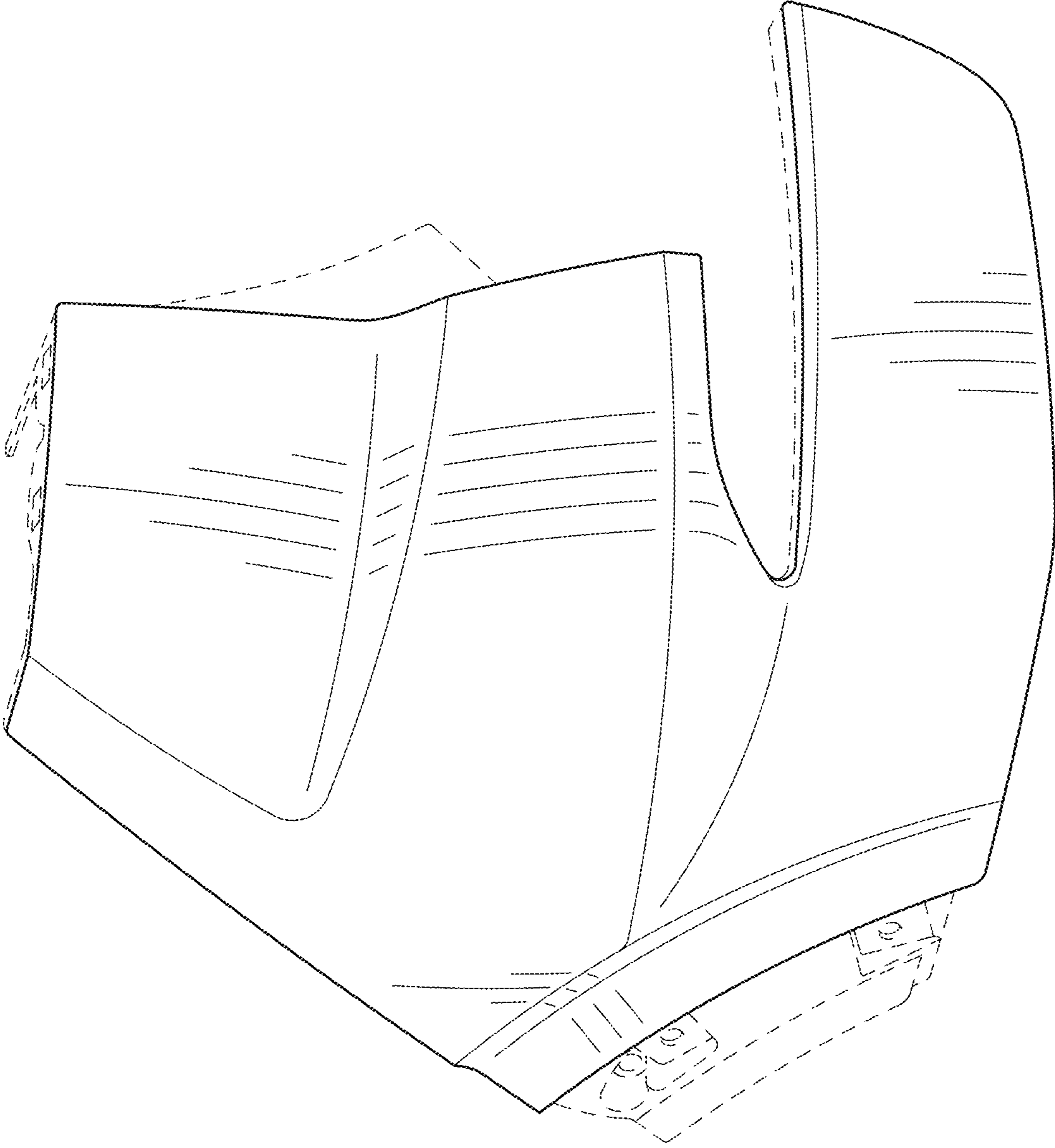


FIG. 1

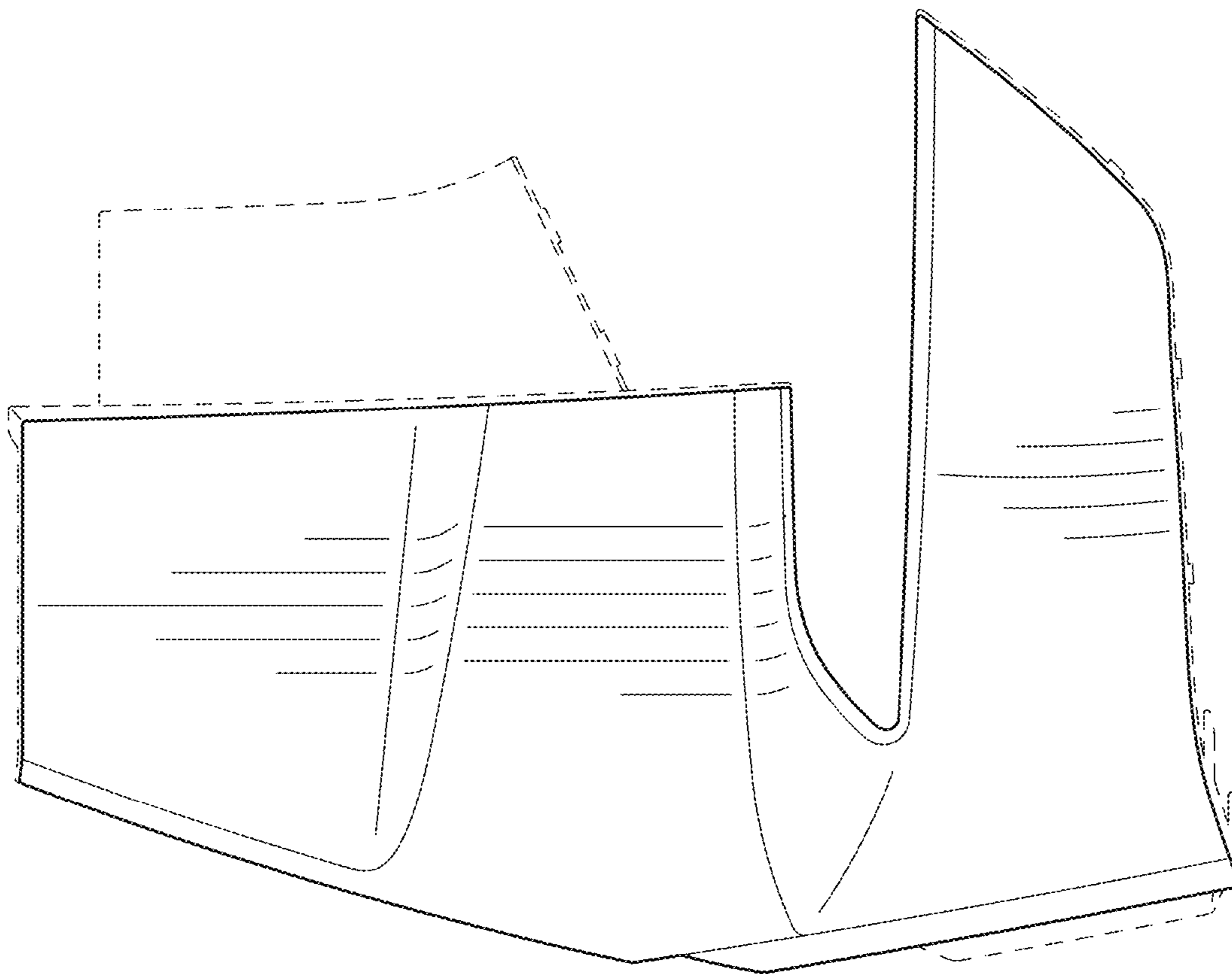


FIG. 2

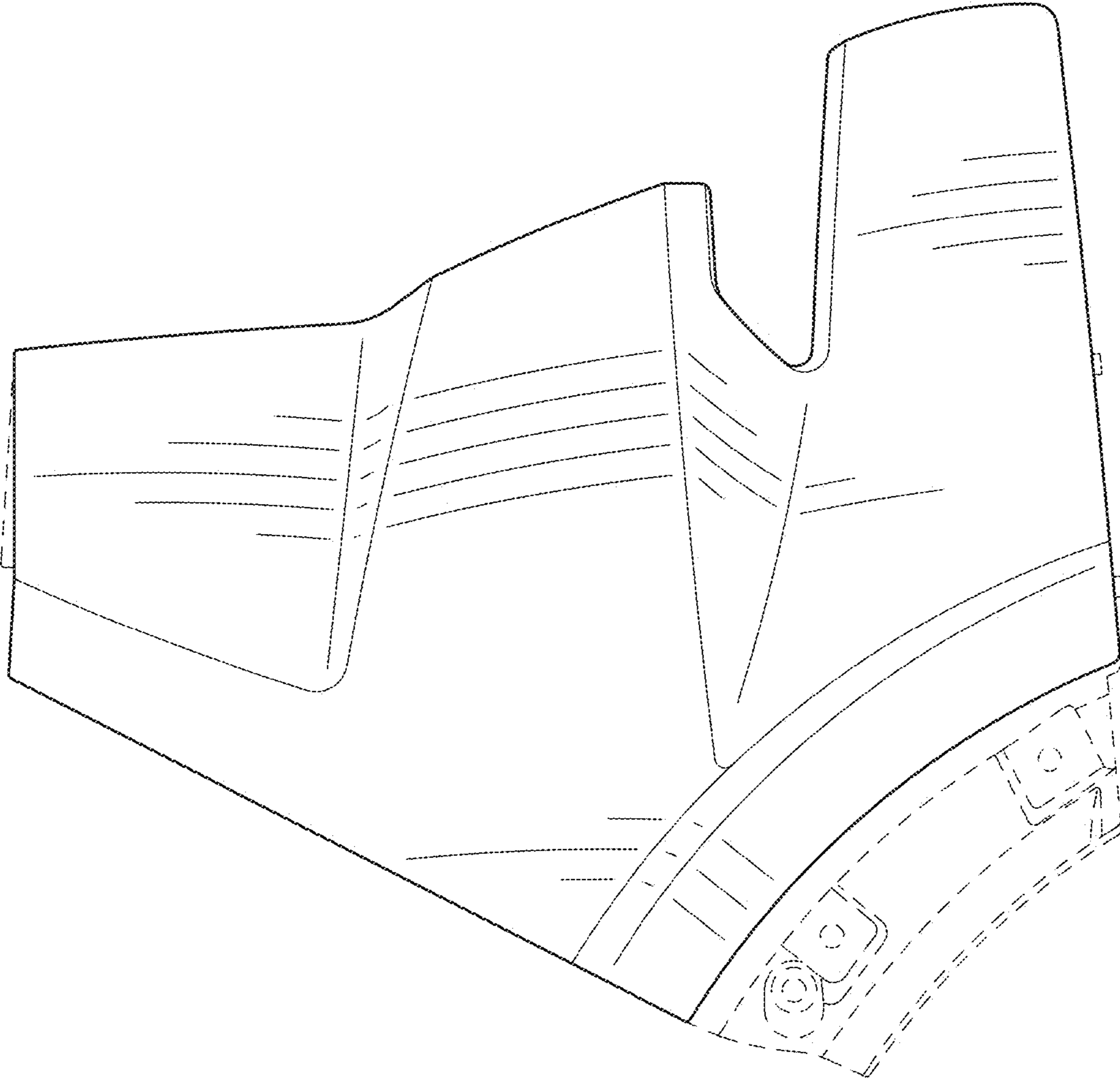


FIG. 3

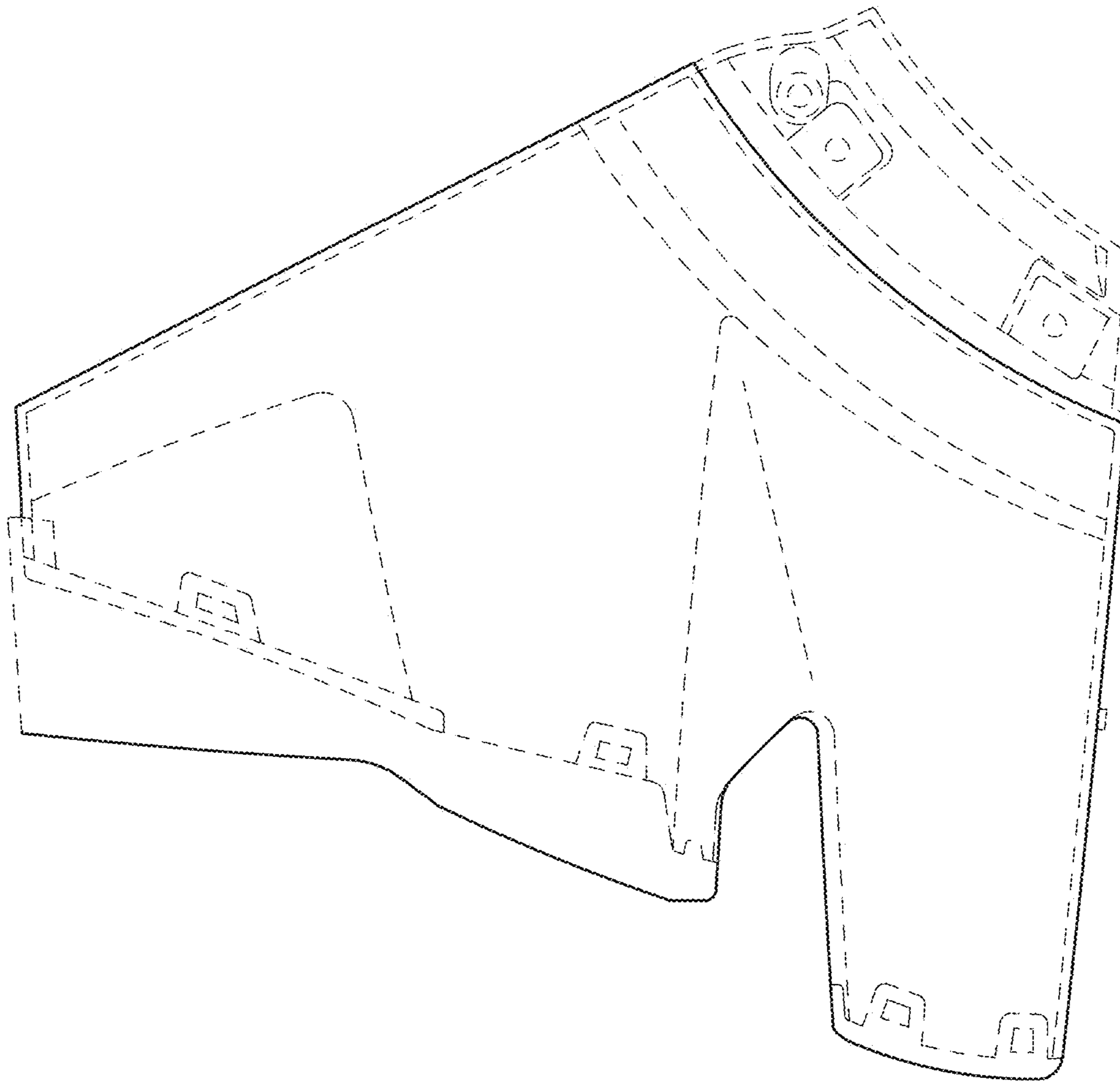


FIG. 4

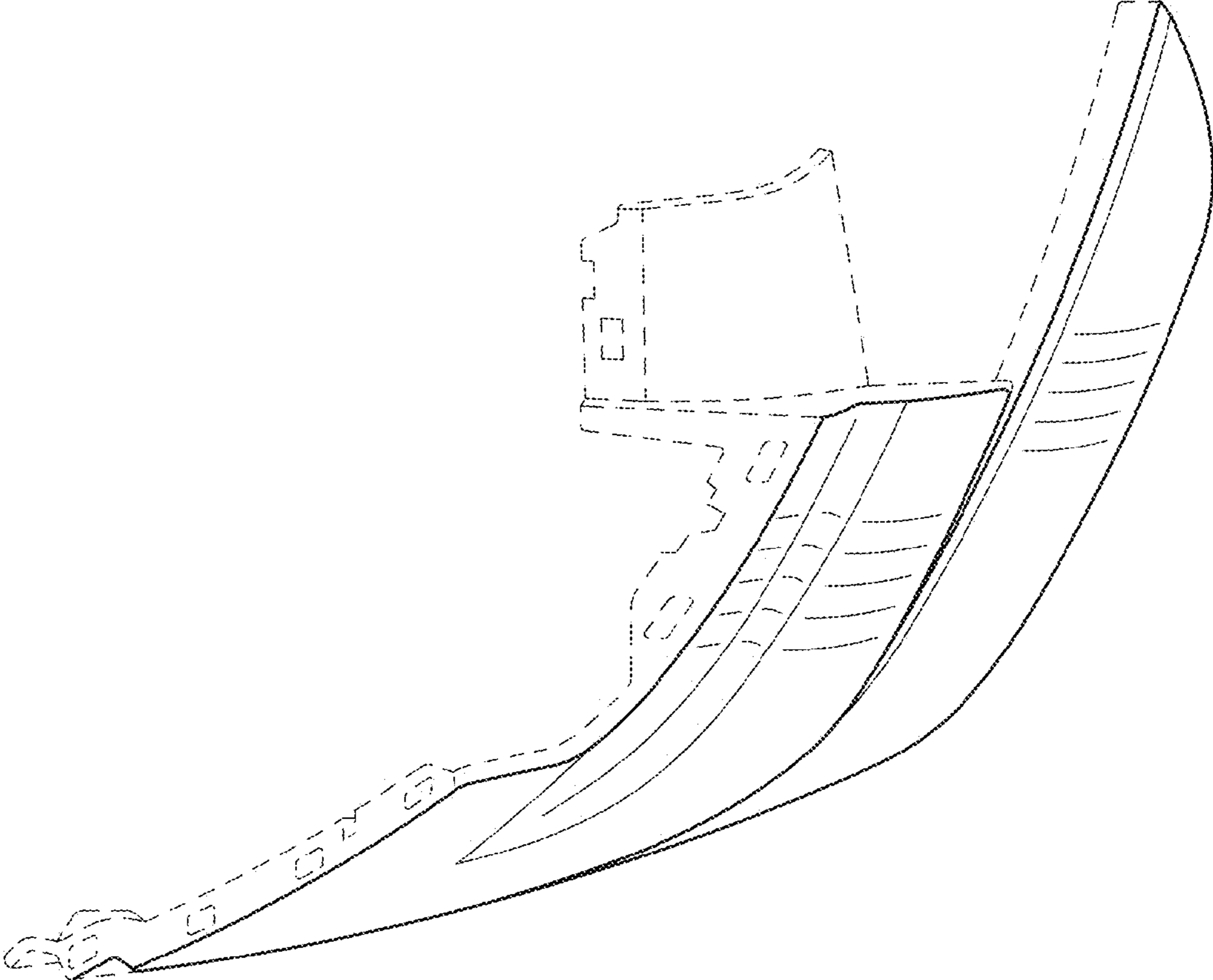


FIG. 5

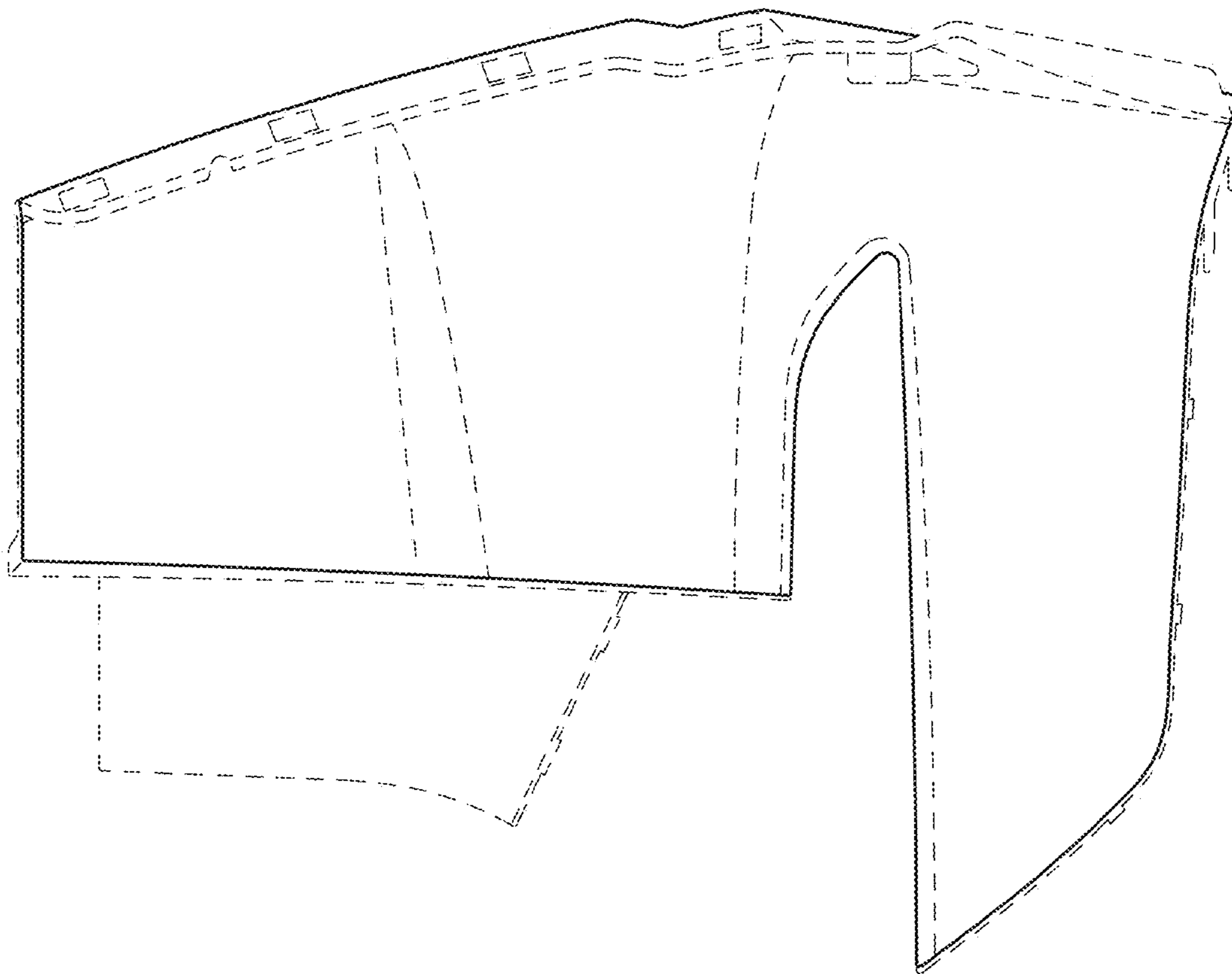


FIG. 6

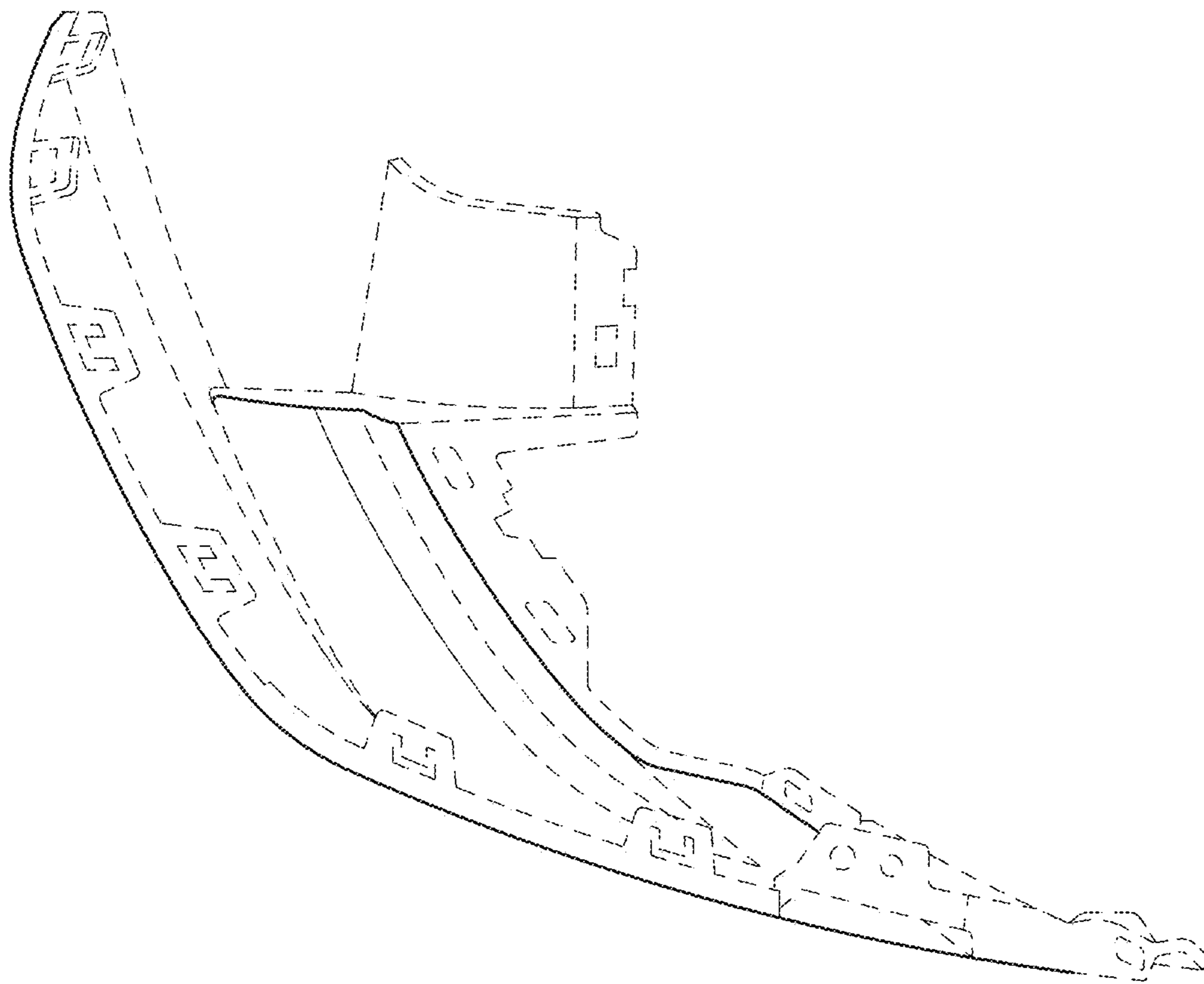


FIG. 7