



US00D955929S

(12) **United States Design Patent**
Gasevski et al.

(10) **Patent No.:** **US D955,929 S**
(45) **Date of Patent:** **** Jun. 28, 2022**

- (54) **TEXTURED GRILLE INSERT**
- (71) Applicants: **Lou L. Gasevski**, West Bloomfield, MI (US); **Kohl J. Kohrman**, Macomb, MI (US); **Mark C. Trostle**, Rochester, MI (US); **Brian H. Nielander**, Royal Oak, MI (US)
- (72) Inventors: **Lou L. Gasevski**, West Bloomfield, MI (US); **Kohl J. Kohrman**, Macomb, MI (US); **Mark C. Trostle**, Rochester, MI (US); **Brian H. Nielander**, Royal Oak, MI (US)
- (73) Assignee: **FCA US LLC**, Auburn Hills, MI (US)
- (**) Term: **15 Years**
- (21) Appl. No.: **29/808,684**
- (22) Filed: **Sep. 22, 2021**

D934,134 S *	10/2021	Giumentaro	D12/169
D934,756 S *	11/2021	Akcay	D12/169
D934,761 S *	11/2021	Giumentaro	D12/169
D936,535 S *	11/2021	Huang	D12/169
D937,154 S *	11/2021	Akcay	D12/169
D938,319 S *	12/2021	Iwanaga	D12/169
D938,321 S *	12/2021	Kushima	D12/169
D939,407 S *	12/2021	Bischoff	D12/169
D940,019 S *	1/2022	Kubo	D12/169

Related U.S. Application Data

- (63) Continuation-in-part of application No. 29/720,402, filed on Jan. 13, 2020, now Pat. No. Des. 932,944.
- (51) **LOC (13) Cl.** **12-16**
- (52) **U.S. Cl.**
USPC **D12/163**
- (58) **Field of Classification Search**
USPC D12/86, 90-92, 163, 169, 196
CPC B60R 19/52; B60R 2019/25; B62D 25/084
See application file for complete search history.

References Cited

U.S. PATENT DOCUMENTS

D932,394 S *	10/2021	Akcay	D12/169
D932,396 S *	10/2021	Giumentaro	D12/169
D932,957 S *	10/2021	Schmolz	D12/169
D933,549 S *	10/2021	Fischer	D12/169

OTHER PUBLICATIONS

Grille Inserts. (Design—© Questel) orbit.com. [Online PDF compilation of references] 39 pgs. Print Dates Range Jun. 29, 2021-Dec. 14, 2020 [Retrieved Jan. 6, 2022].*

Left and Right Black Honeycomb Fog Light Lamp Grille Grill Cover. Aug. 20, 2019. Amazon. <https://www.amazon.com/Honeycomb-Grille-Compatible-Facelift-Models/dp/B07WSMZT1W>.*

(Continued)

Primary Examiner — Manpreet S Matharu
Assistant Examiner — Suzanne E Tisdell
 (74) *Attorney, Agent, or Firm* — Ralph E. Smith

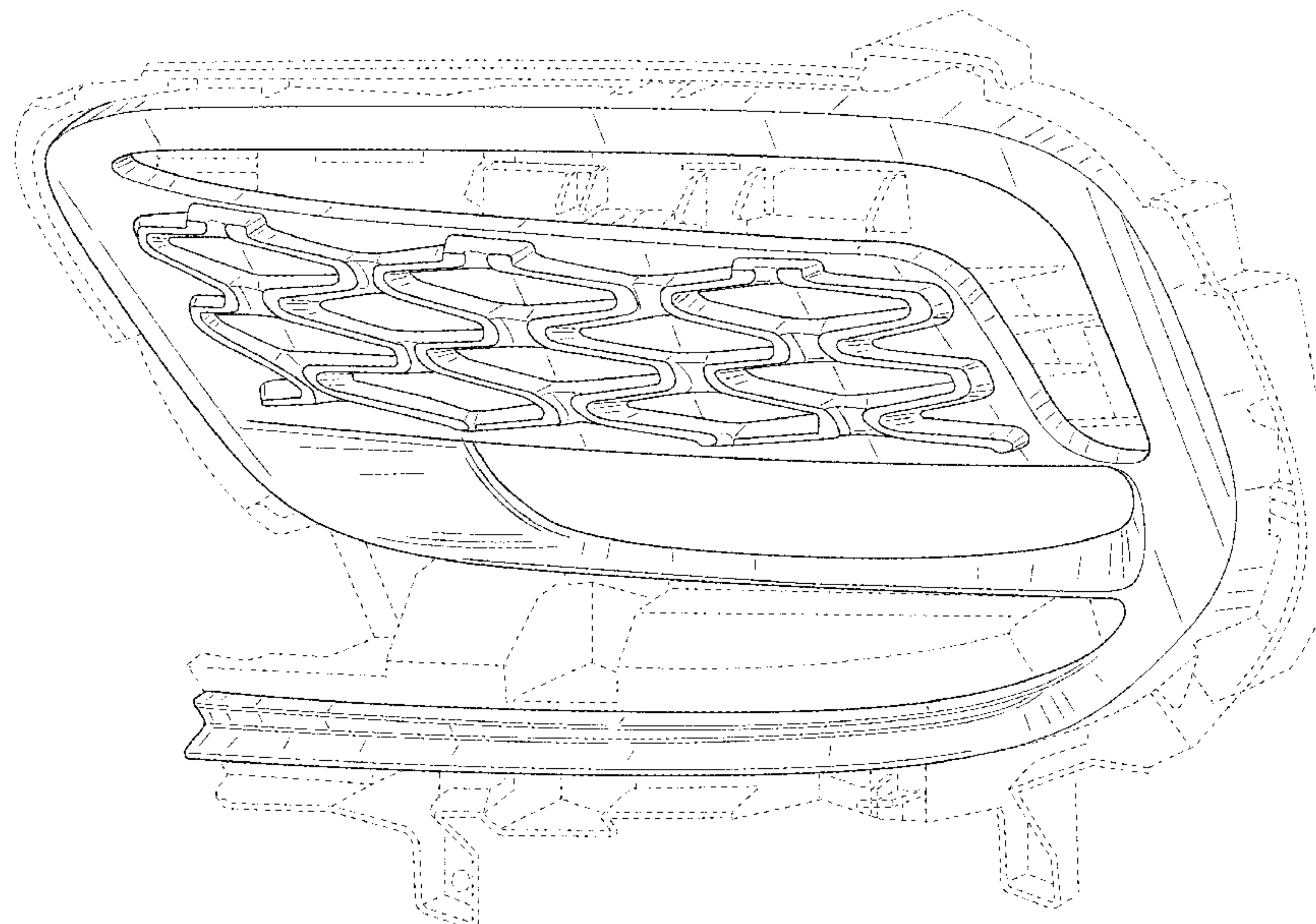
(57) **CLAIM**

The ornamental design for a textured grille insert, as shown and described.

DESCRIPTION

FIG. 1 is a front perspective view of a textured grille insert showing our new design;
 FIG. 2 is a front view thereof;
 FIG. 3 is a rear view thereof;
 FIG. 4 is a side view thereof;
 FIG. 5 is a top view thereof; and,
 FIG. 6 is a bottom view thereof.
 It will be understood that the broken lines shown in the drawings illustrate portions of the textured grille insert that form no part of the claimed design.

1 Claim, 6 Drawing Sheets



(56)

References Cited

OTHER PUBLICATIONS

Acexxon F95 X5M F96 X6M Rear Reflector Insert Set. Sep. 1, 2021. Flickr. <https://www.flickr.com/photos/59241080@N03/51418589917/in/photostream/>.*
SZSS Car Left and Right Lower Front Bumper Fog Light. Sep. 4, 2018. Amazon. <https://www.amazon.com/Right-Bumper-Grille-Insert-Grilles/dp/B07H4BS5SJ?th=1>.*

* cited by examiner

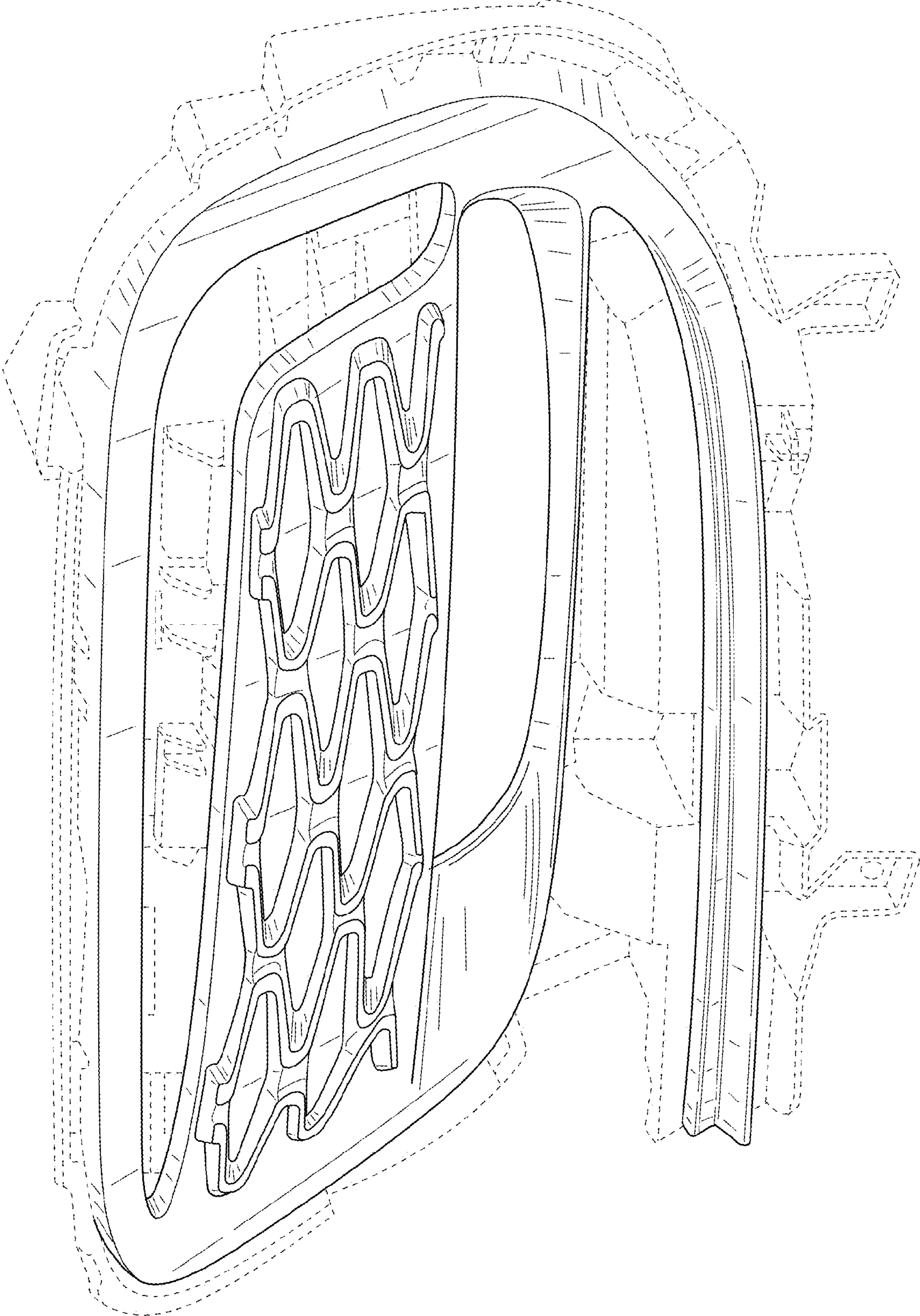


FIG. 1

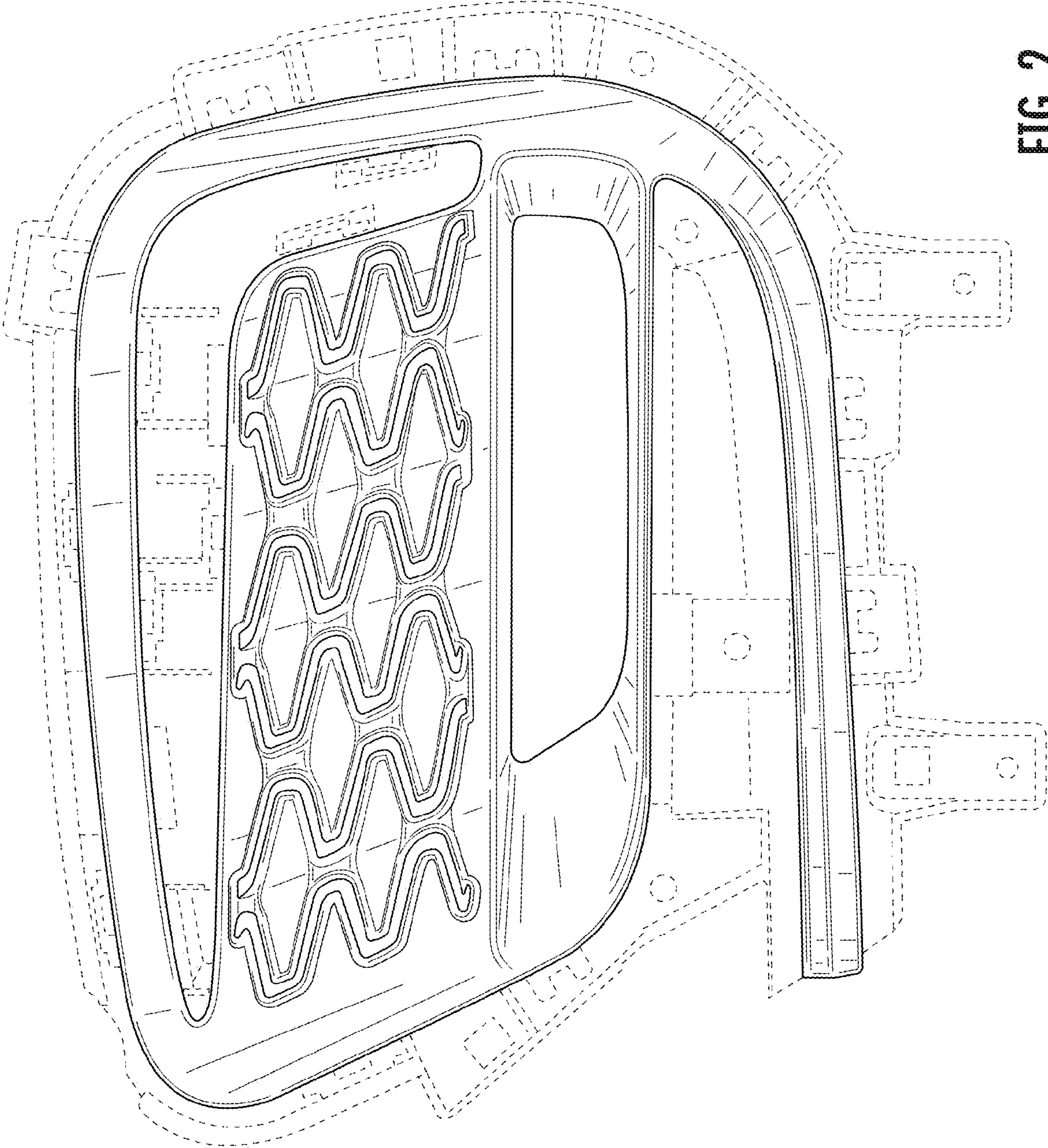


FIG. 2

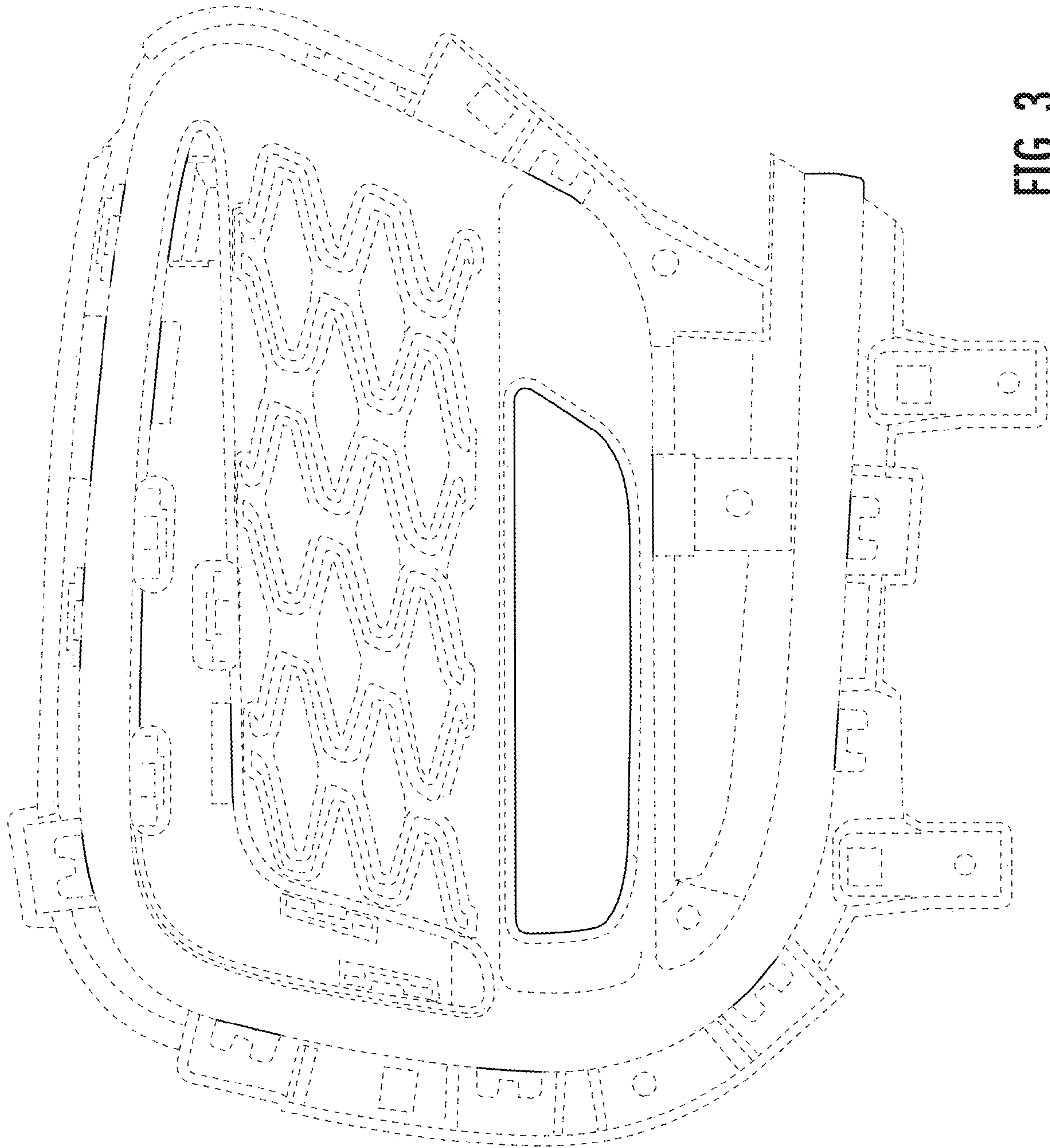


FIG. 3

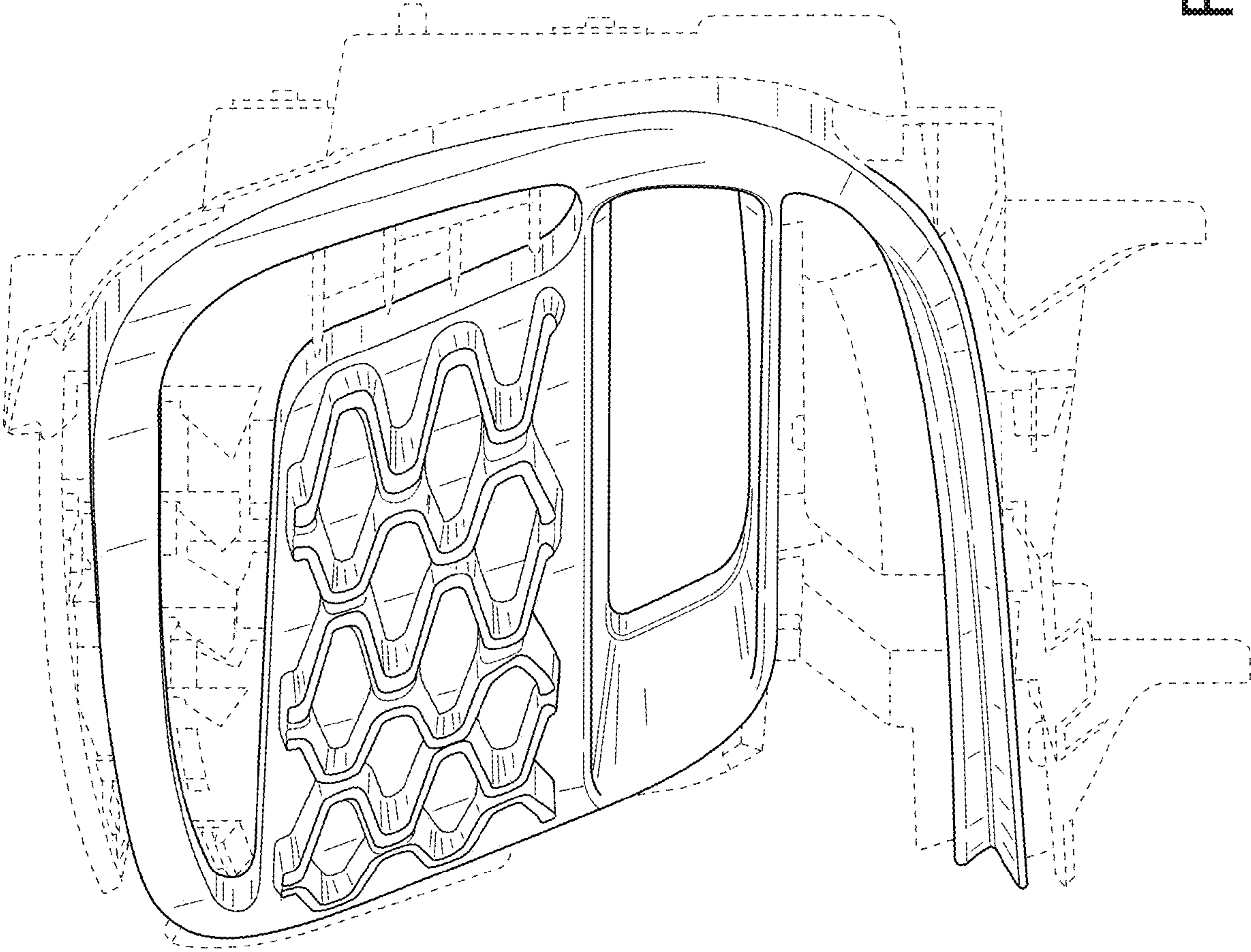


FIG. 4

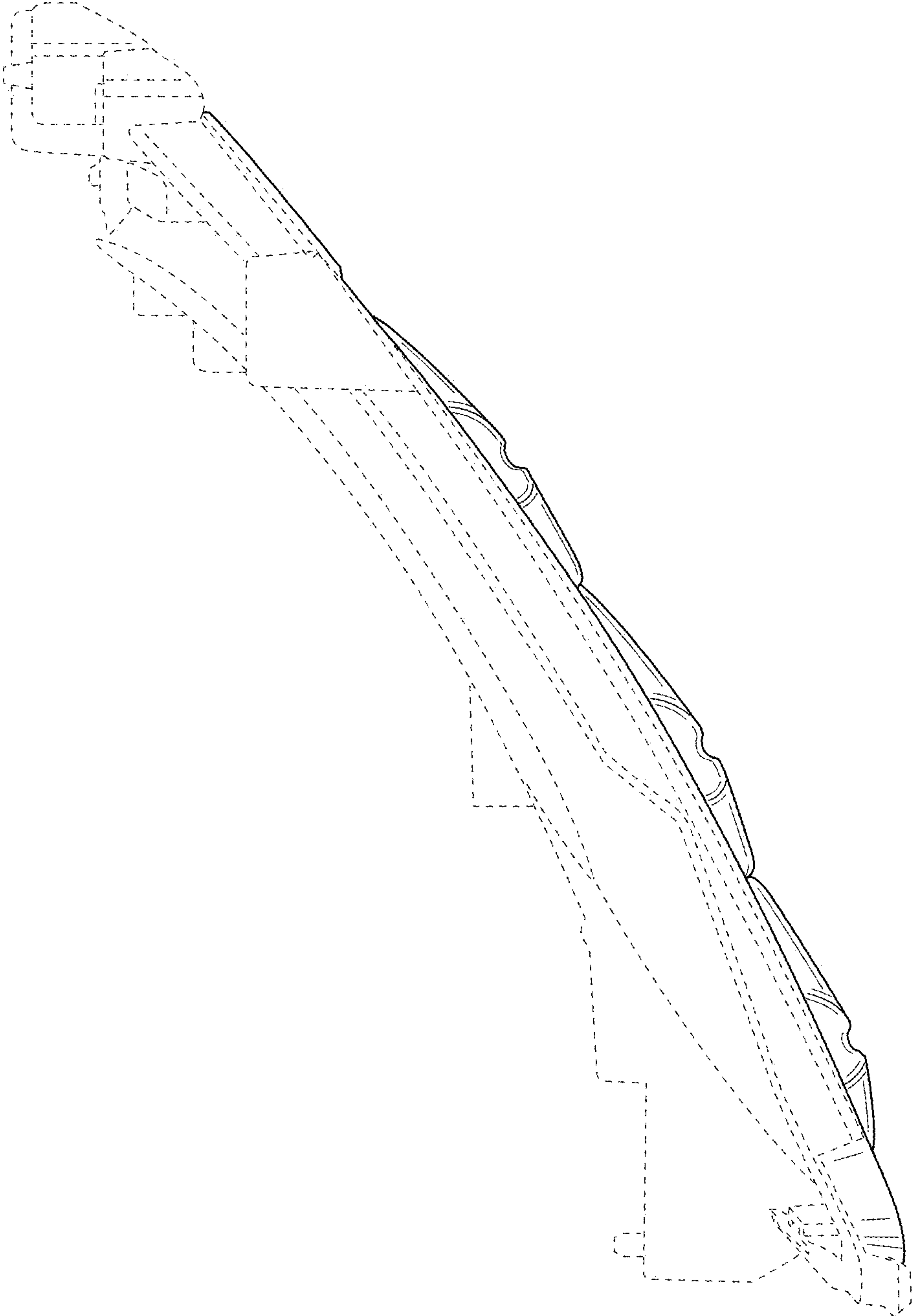


FIG. 5

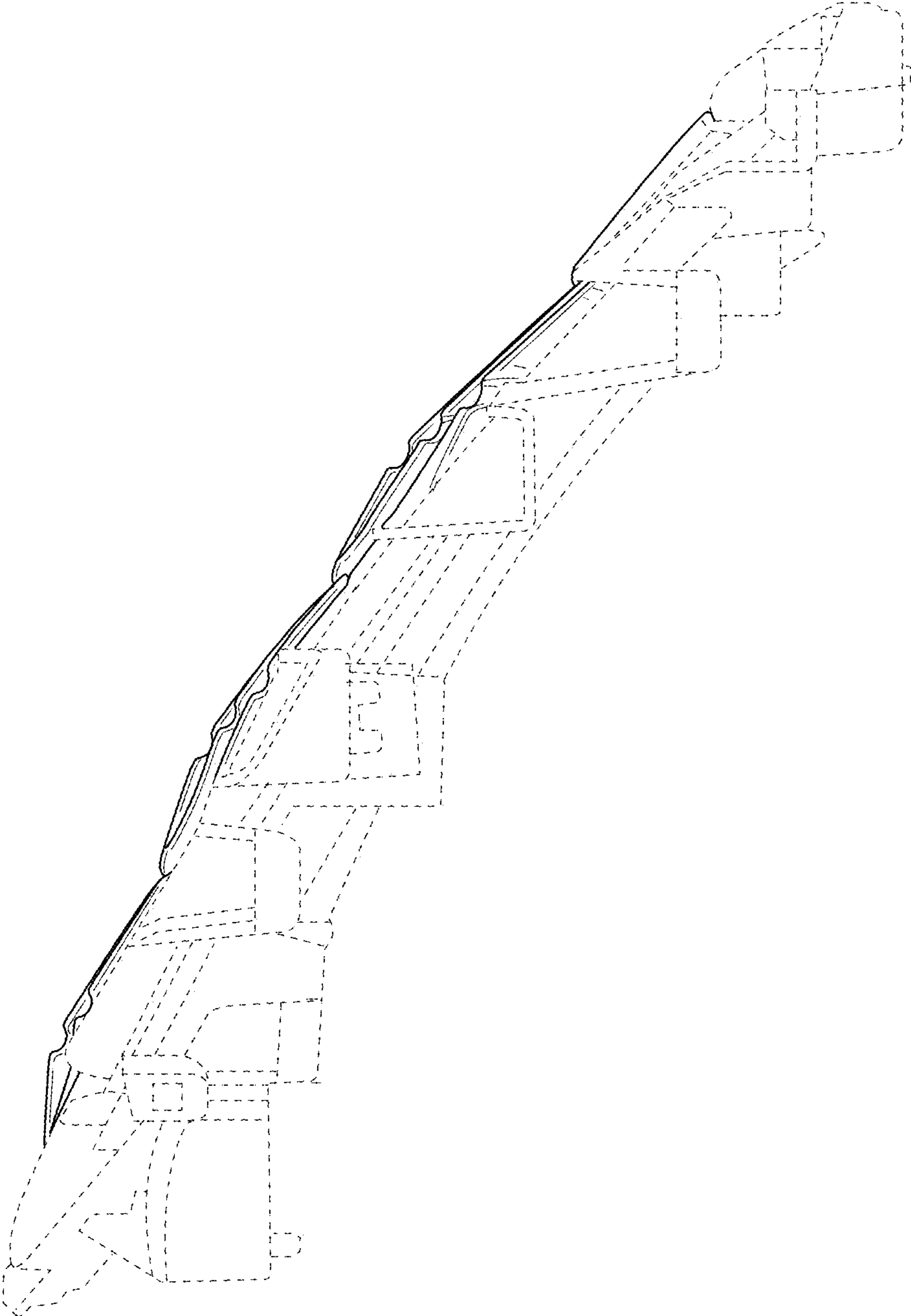


FIG. 6