



US00D955924S

(12) **United States Design Patent** (10) **Patent No.:** **US D955,924 S**
Devine et al. (45) **Date of Patent:** **** Jun. 28, 2022**

(54) **TRAVEL TRAILER**

(56) **References Cited**

(71) Applicant: **Thor Tech, Inc.**, Elkhart, IN (US)

U.S. PATENT DOCUMENTS

(72) Inventors: **James Jack Owen Devine**, Jackson Center, OH (US); **Dale Beever**, San Juan Capistrano, CA (US); **Raymond McKay Featherstone**, Tipp City, OH (US); **Bryan M. Fox**, Chicago, IL (US); **Dana Kim Gehman**, Marysville, OH (US); **Bradley J. Mitchell**, Chicago, IL (US); **Robert Owen Sanford**, DeGraff, OH (US); **Bryan Thompson**, Beverly Hills, CA (US)

D298,810 S	*	12/1988	Vilval	D12/102
D309,124 S		7/1990	Young	
D329,215 S	*	9/1992	Alexander	D12/102
D349,429 S		8/1994	Morehead	
D357,214 S		4/1995	McCaffrey	
D378,583 S		3/1997	Aitken	
D389,785 S		1/1998	Guzak	
D391,526 S		3/1998	Kass et al.	
5,938,261 A		8/1999	Faba	
D443,561 S		6/2001	Voogt	
D510,545 S		10/2005	Riegel et al.	
D580,071 S		11/2008	Evans et al.	
D594,385 S	*	6/2009	Cadotte	D12/102
D603,299 S		11/2009	Prusmack	
7,795,837 B1		9/2010	Haun	
D625,666 S		10/2010	Treleaven	
D633,010 S		2/2011	Hixson	
D653,588 S		2/2012	Heard	
D659,595 S		5/2012	Eliason	
8,193,760 B2		6/2012	Wagnon	

(73) Assignee: **Thor Tech, Inc.**, Elkhart, IN (US)

(**) Term: **15 Years**

(21) Appl. No.: **29/704,551**

(Continued)

(22) Filed: **Sep. 5, 2019**

Primary Examiner — Katrina A Betton

(74) Attorney, Agent, or Firm — Dinsmore & Shohl LLP

Related U.S. Application Data

(62) Division of application No. 29/635,816, filed on Feb. 2, 2018, now Pat. No. Des. 864,033, which is a division of application No. 29/547,401, filed on Dec. 3, 2015, now Pat. No. Des. 813,101.

(57) **CLAIM**

The ornamental design for a travel trailer, as shown.

(51) **LOC (13) Cl.** **12-16**

(52) **U.S. Cl.**
USPC **D12/103**

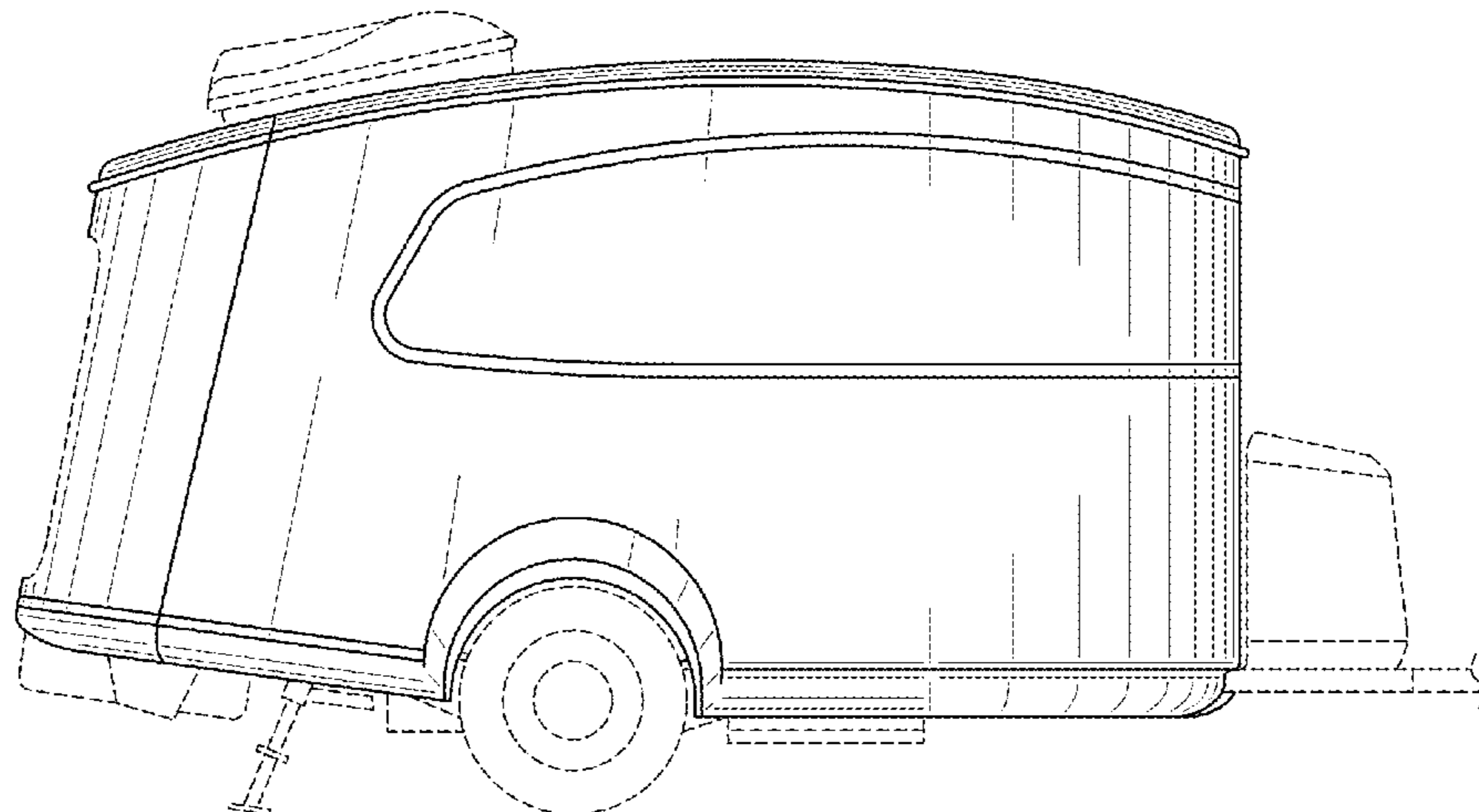
(58) **Field of Classification Search**
USPC D12/19, 121, 100–106, 111–112;
D21/425, 435; D34/21–26, 12, 16–19
CPC .. B62D 35/00; B62D 33/077; B62D 33/0612;
B62D 24/04; B60P 3/10; B60P 3/1033;
B60P 3/0257; B60P 3/38; B60P 3/34;
E01F 15/14

DESCRIPTION

FIG. 1 is a perspective view of a travel trailer illustrating my new design;
FIG. 2 is a side view of the design of FIG. 1;
FIG. 3 is another side view of the design of FIG. 1;
FIG. 4 is a front view of the design of FIG. 1;
FIG. 5 is a rear view of the design of FIG. 1; and,
FIG. 6 is a top view of the design of FIG. 1.

See application file for complete search history.

(Continued)



US D955,924 S

Page 2

The broken lines represent portions of the structure that form no part of the claim.

1 Claim, 5 Drawing Sheets

(56)

References Cited

U.S. PATENT DOCUMENTS

D664,072 S 7/2012 Halloran
D689,401 S 9/2013 Calderon
D689,402 S * 9/2013 Lee D12/103
D690,621 S 10/2013 Rose
D691,925 S 10/2013 Hindle
D692,353 S * 10/2013 Kiez D12/103
D700,111 S 2/2014 Pacholyk
D716,701 S 11/2014 Beelman
D737,725 S 9/2015 Bell

D737,726 S * 9/2015 Austin D12/104
9,184,628 B2 11/2015 Carpoﬀ
D759,546 S 6/2016 Van Wyk
D759,547 S 6/2016 Van Wyk
D759,548 S 6/2016 Swartz
D764,354 S 8/2016 Riquer-Gonzalez
D782,938 S 4/2017 Cohen et al.
9,751,446 B2 9/2017 Hixson
D801,229 S * 10/2017 Brock B60P 1/435
D12/102
D886,681 S * 6/2020 Hickok D12/102
D888,616 S * 6/2020 Brawley D12/102
D932,375 S * 10/2021 Canaday D12/102
D933,534 S * 10/2021 Savory D12/102
2008/0211259 A1 * 9/2008 Nadeau B60P 3/34
296/173
2008/0265617 A1 10/2008 Davidson
2009/0288698 A1 11/2009 Chen
2016/0288690 A1 * 10/2016 Wills B60P 3/34

* cited by examiner

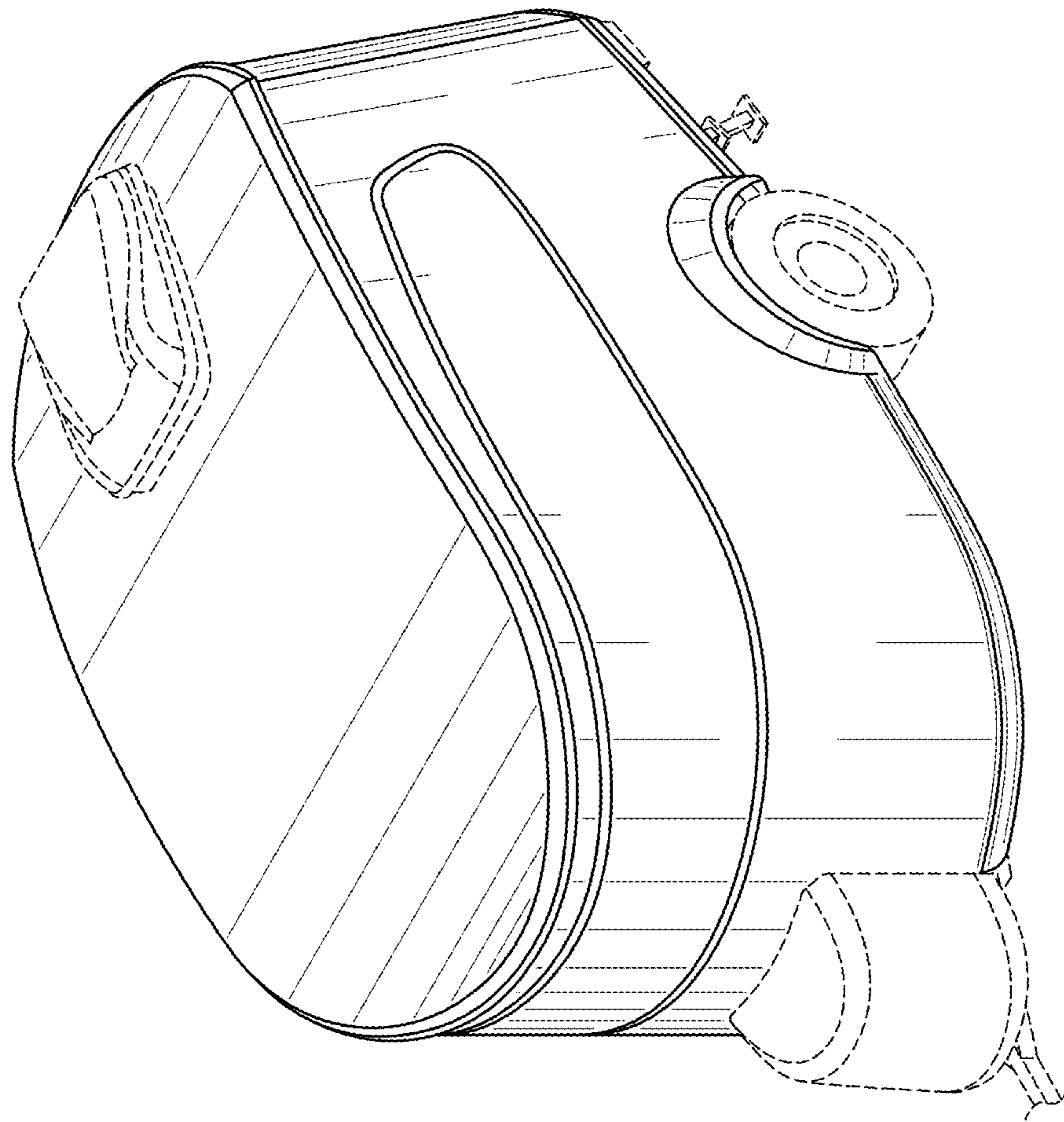


FIG. 1

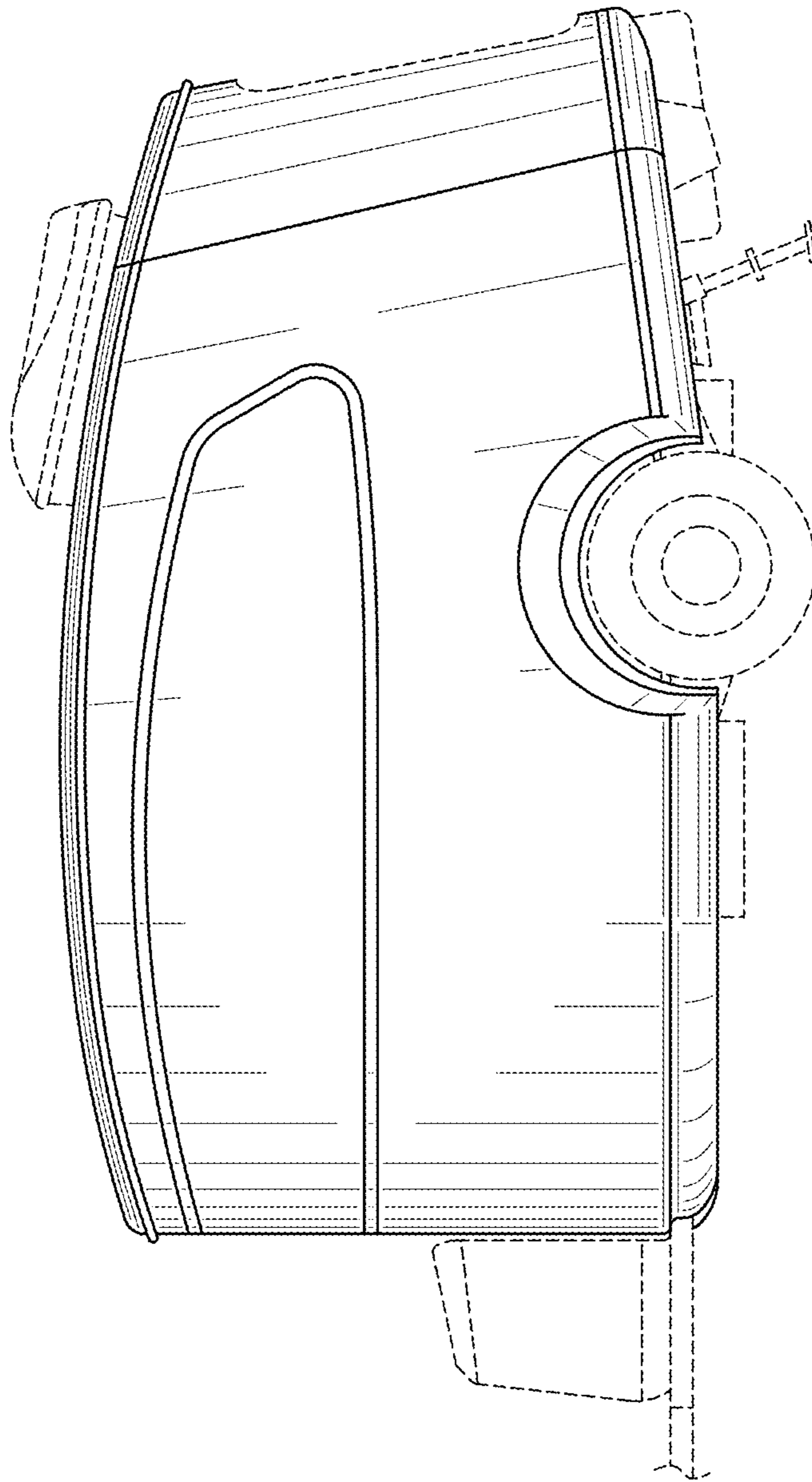


FIG. 2

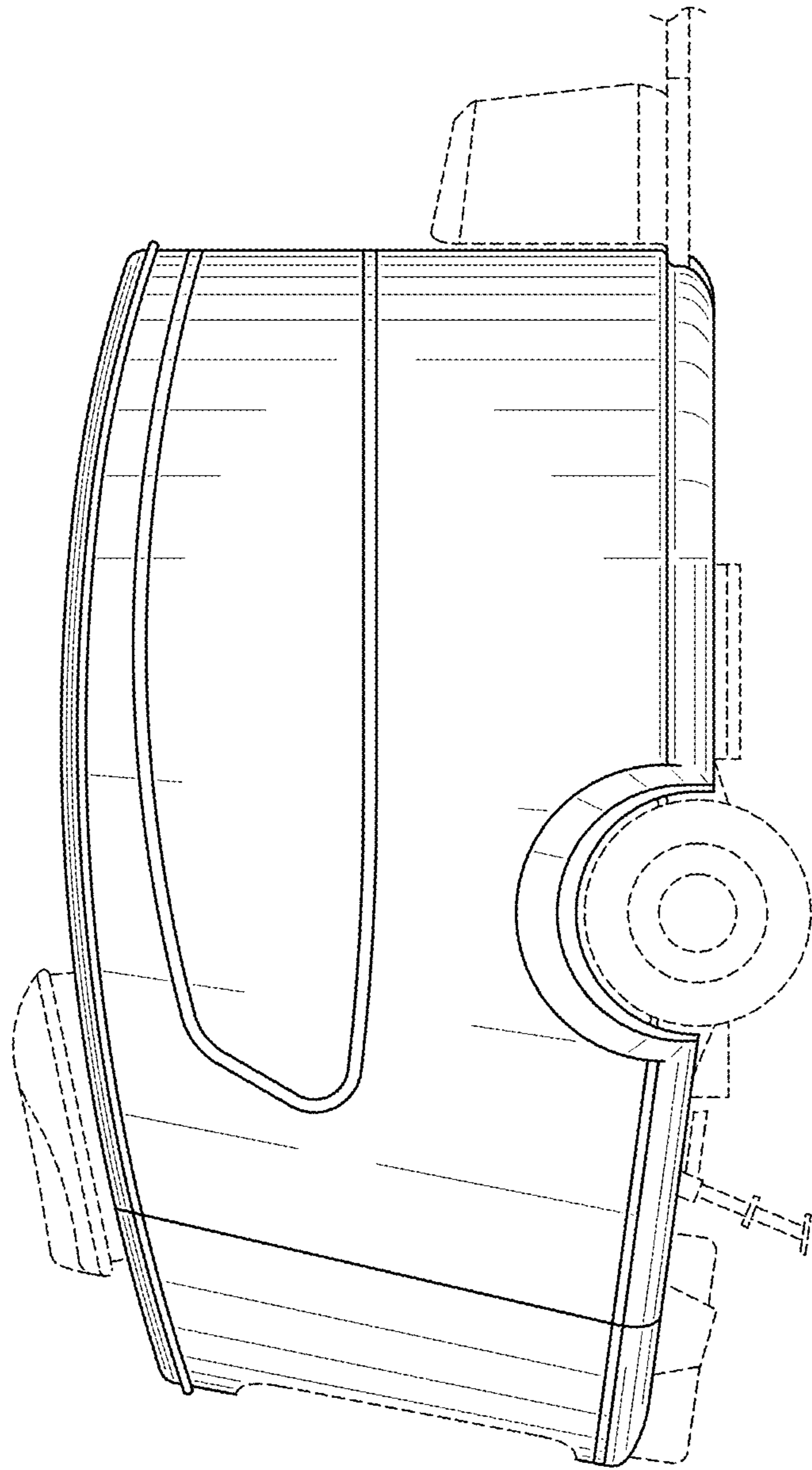


FIG. 3

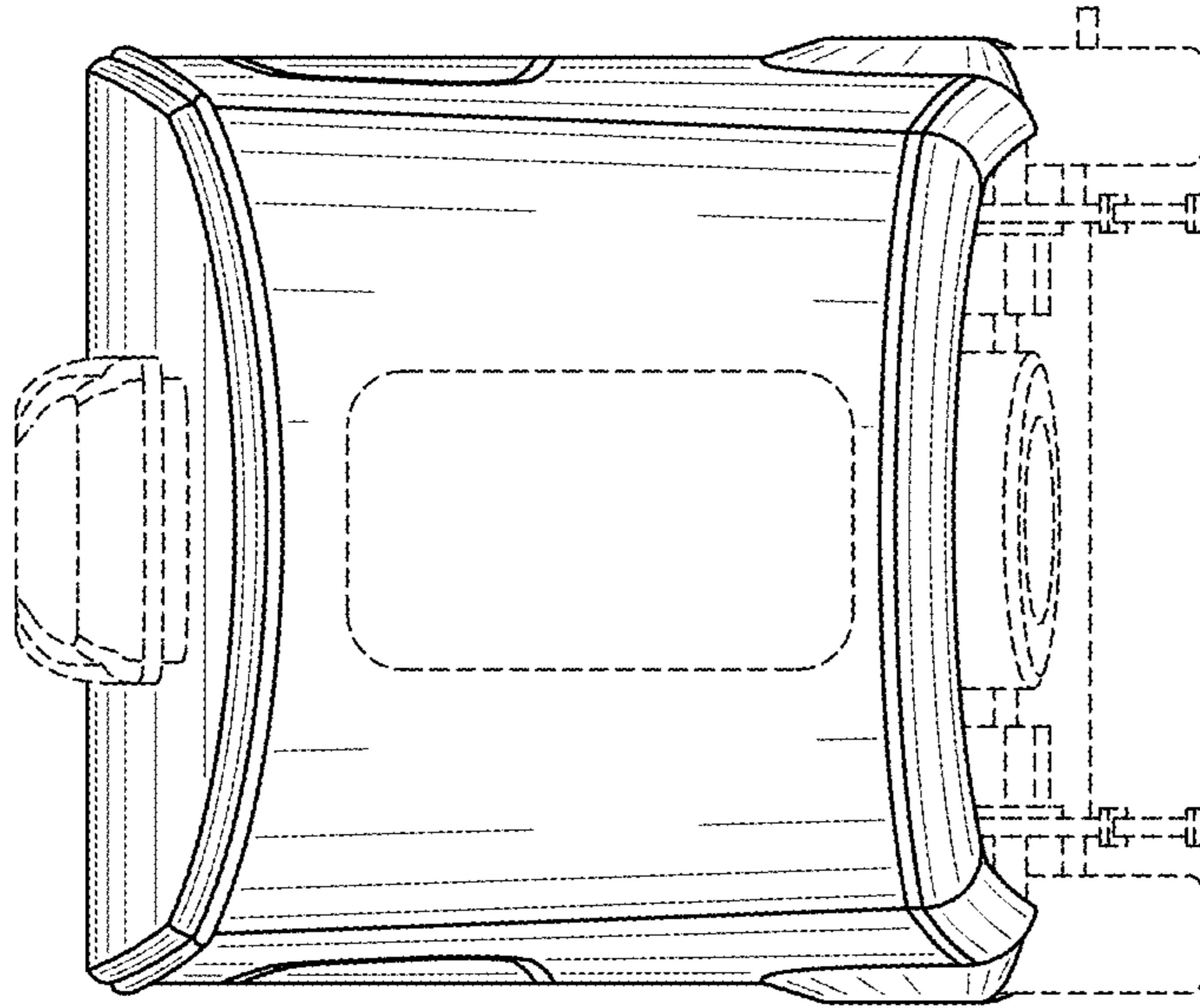


FIG. 5

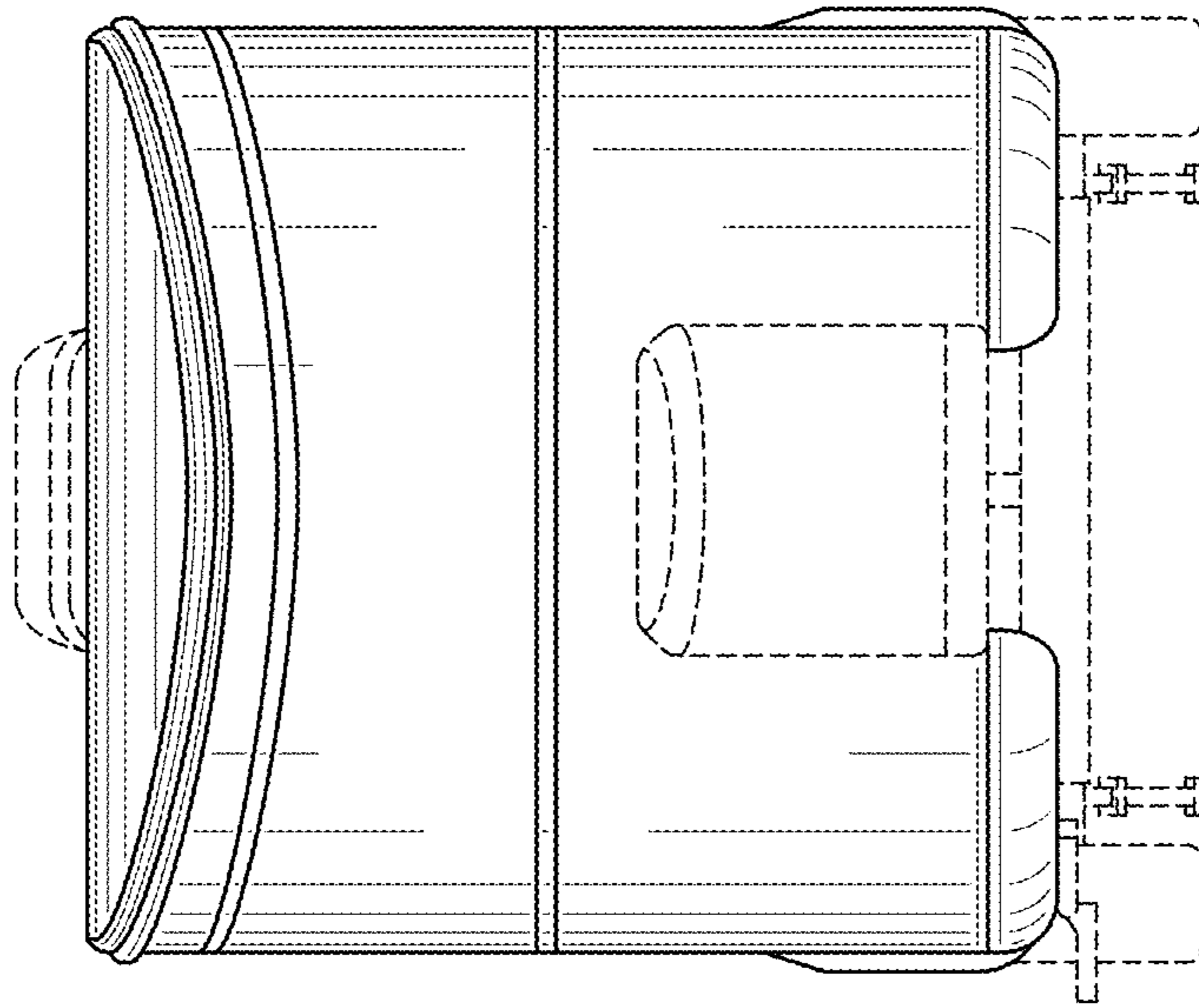


FIG. 4

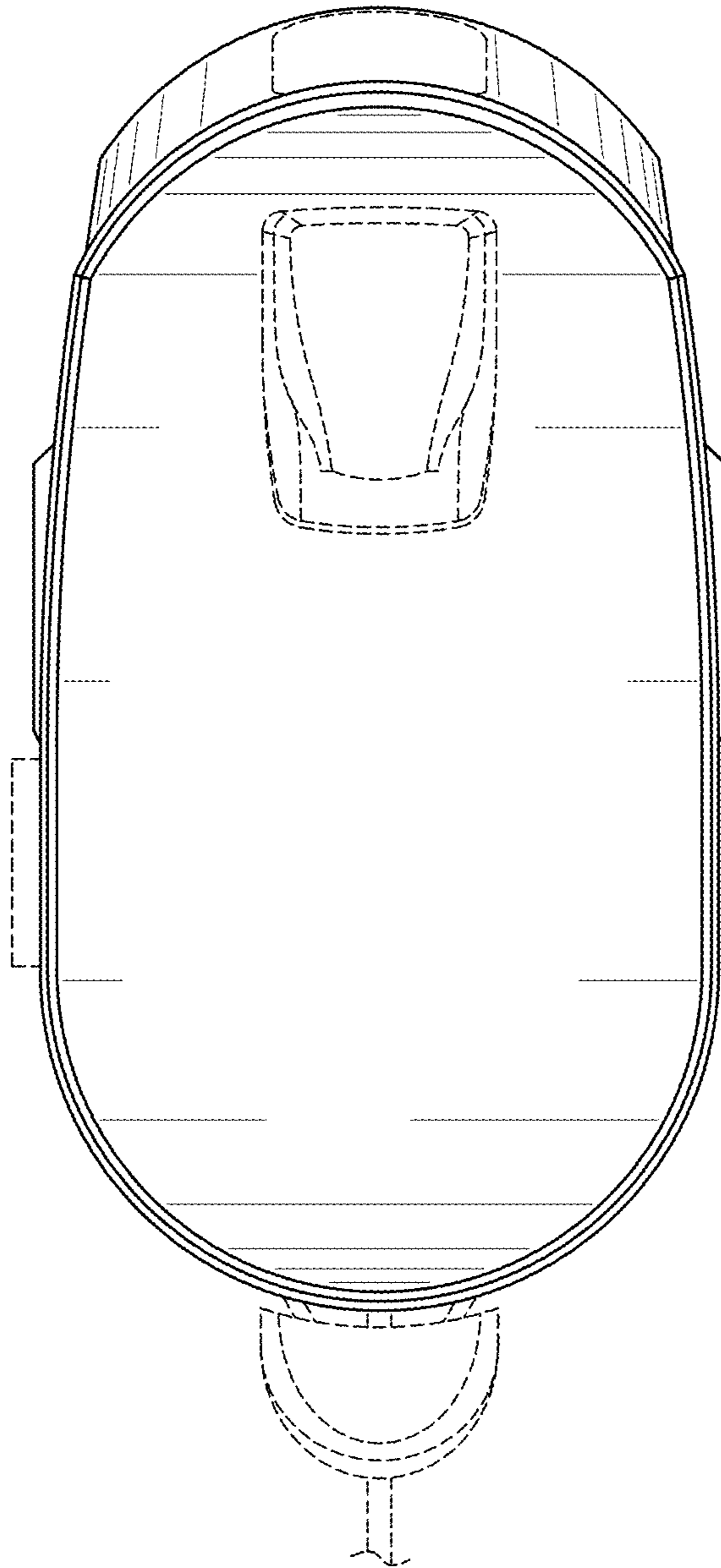


FIG. 6