



US00D955922S

(12) **United States Design Patent**  
**Frost et al.**

(10) **Patent No.:** **US D955,922 S**  
(45) **Date of Patent:** **\*\* Jun. 28, 2022**

- (54) **RAIL**
- (71) Applicant: **Conductix, Inc.**, Omaha, NE (US)
- (72) Inventors: **Ryan Frost**, Omaha, NE (US); **Keith Forman**, Troy, IL (US); **Trevor Howe**, Omaha, NE (US)
- (73) Assignee: **CONDUCTIX, INC.**, Omaha, NE (US)
- (\*\*) Term: **15 Years**
- (21) Appl. No.: **29/649,824**
- (22) Filed: **Jun. 1, 2018**
- (51) **LOC (13) Cl.** ..... **12-03**
- (52) **U.S. Cl.**  
USPC ..... **D12/50**
- (58) **Field of Classification Search**  
USPC ..... D12/49, 50, 51; D25/38.1, 41.1, 42, 43,  
D25/44, 119, 120, 121, 122–126, 128,  
D25/136, 164  
CPC ..... B60M 1/30; B60M 1/302; B60M 7/00;  
E01B 5/02; E01B 5/06; E01B 5/00; E01B  
5/14; E01B 5/08; B23K 2101/26  
See application file for complete search history.

887,512 A *	5/1908	Pearce	.....	E01B 5/02 238/125
1,065,488 A *	6/1913	Williams	.....	E01B 5/02 238/149
3,067,947 A *	12/1962	Deenik	.....	E01B 9/303 238/315
4,318,462 A *	3/1982	Weinhaus	.....	B60M 1/30 191/30
D336,712 S *	6/1993	Ledingham	.....	D18/15
D497,326 S *	10/2004	Urmson, Jr.	.....	D12/51
6,983,834 B1 *	1/2006	Kraudy	.....	B60M 1/302 191/22 DM
D640,600 S *	6/2011	Kishi	.....	D12/50
D643,337 S *	8/2011	Kishi	.....	D12/50
D894,045 S *	8/2020	Frost	.....	D12/50

**FOREIGN PATENT DOCUMENTS**

- EP 3260600 B1 \* 4/2019 ..... E01B 31/18
- \* cited by examiner

*Primary Examiner* — Ania Aman  
(74) *Attorney, Agent, or Firm* — Ryan T. Grace; Advent, LLP

(57) **CLAIM**

The ornamental design for a rail, as shown and described.

(56) **References Cited**

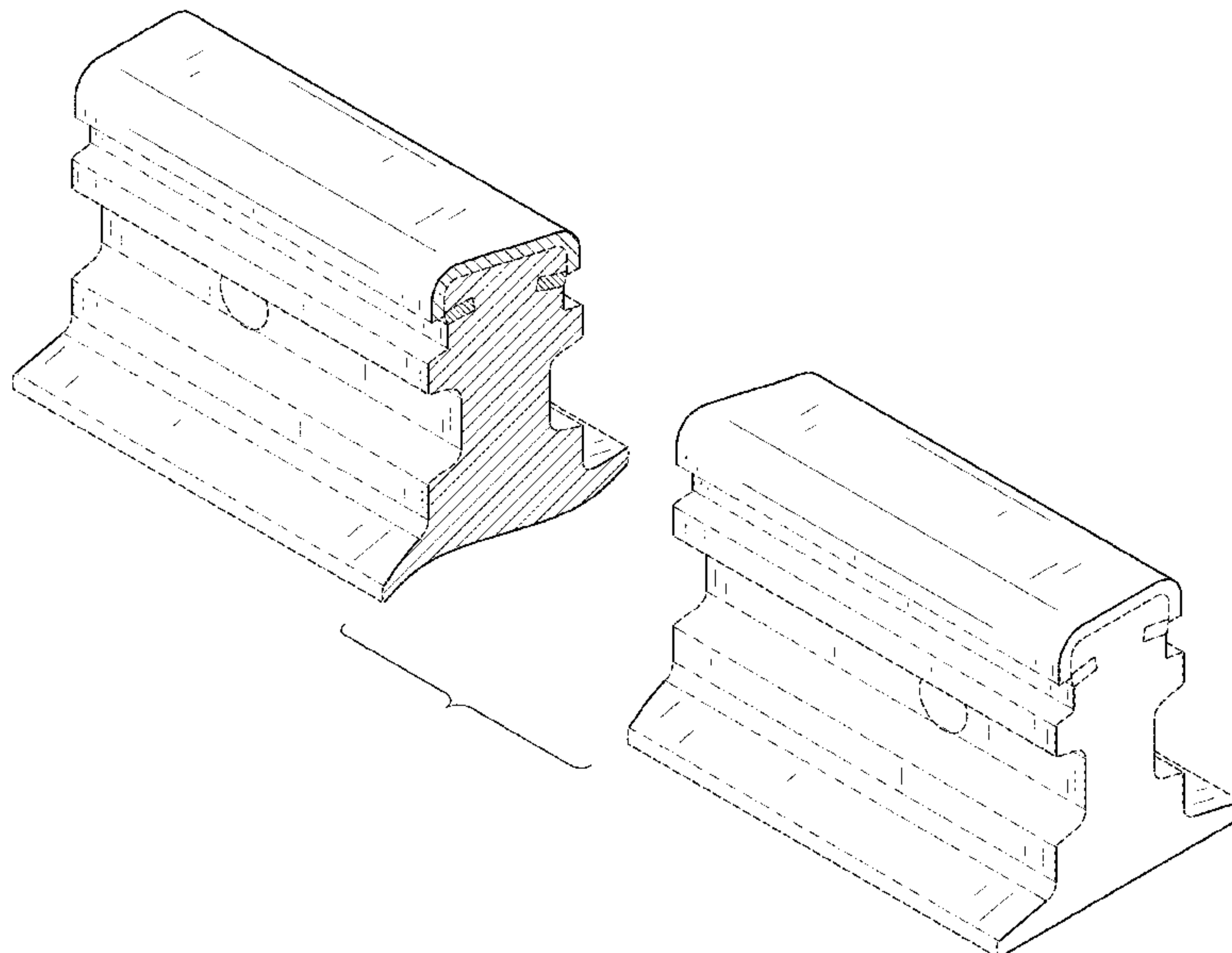
**U.S. PATENT DOCUMENTS**

92,045 A *	6/1869	Hall	.....	E01B 5/08 238/132
D27,217 S *	6/1897	Heinle	.....	D12/50
D30,792 S *	5/1899	Pratt	.....	D12/49
D32,406 S *	3/1900	Hazard	.....	D12/50
D33,474 S *	10/1900	Kofske	.....	D12/50
692,115 A *	1/1902	Case	.....	E01B 5/08 238/143
774,401 A *	11/1904	Sutliff	.....	E01B 5/08 238/143
811,055 A *	1/1906	Graft	.....	E01B 5/08 238/146

**DESCRIPTION**

FIG. 1 is an end elevation view of a rail.  
FIG. 2 is a bottom view of the rail of FIG. 1.  
FIG. 3 is an isometric view of the rail of FIG. 1; and,  
FIG. 4 is another isometric view of the rail of FIG. 1.  
Portions of FIGS. 1 through 4 are shown in broken and dash-dot-dash boundary lines illustrating portions of the article and environmental subject matter that form no part of the claimed design. The appearance of any portion of the rail between the break lines forms no part of the claimed design.

**1 Claim, 4 Drawing Sheets**



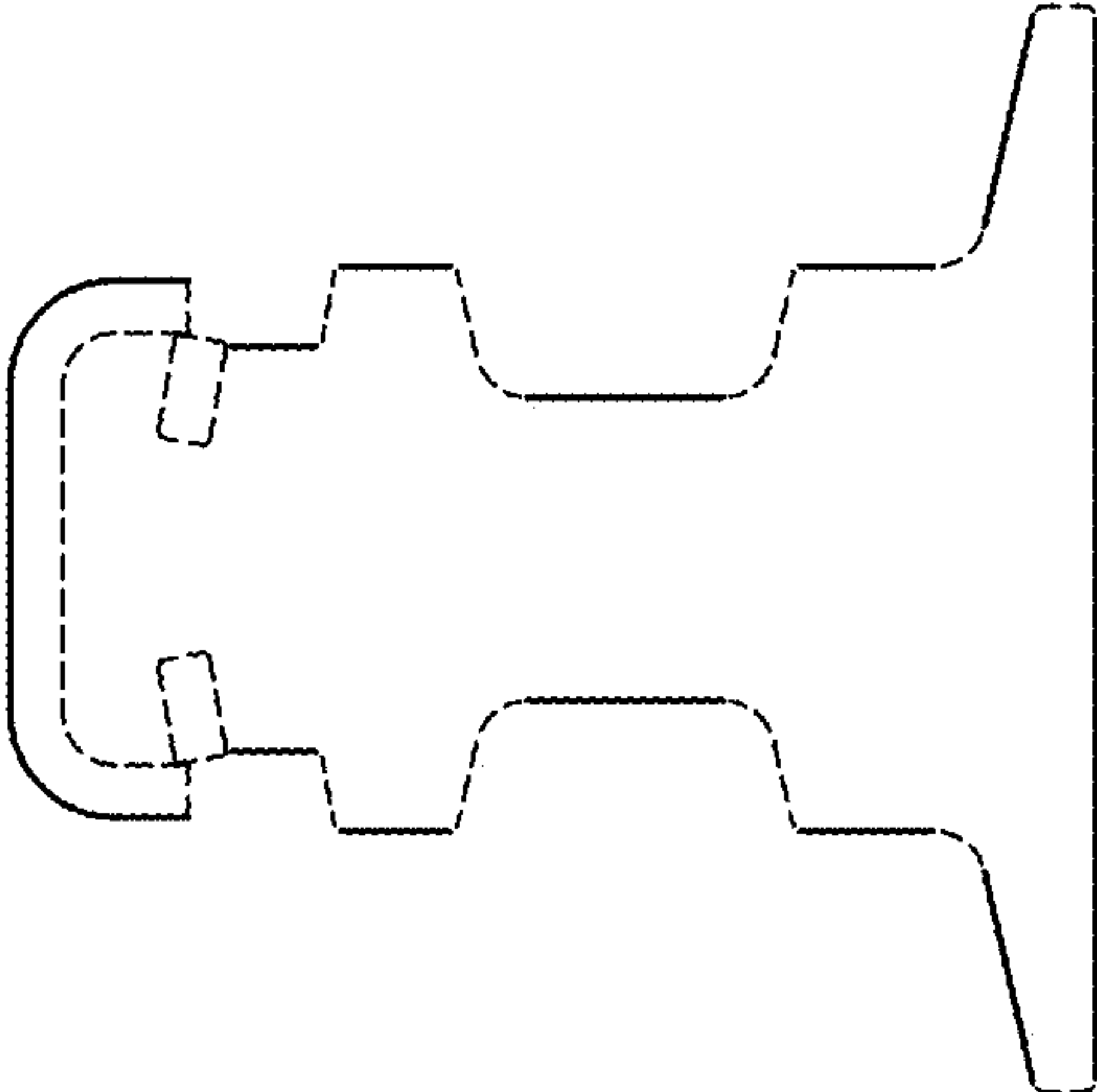


FIG. 1

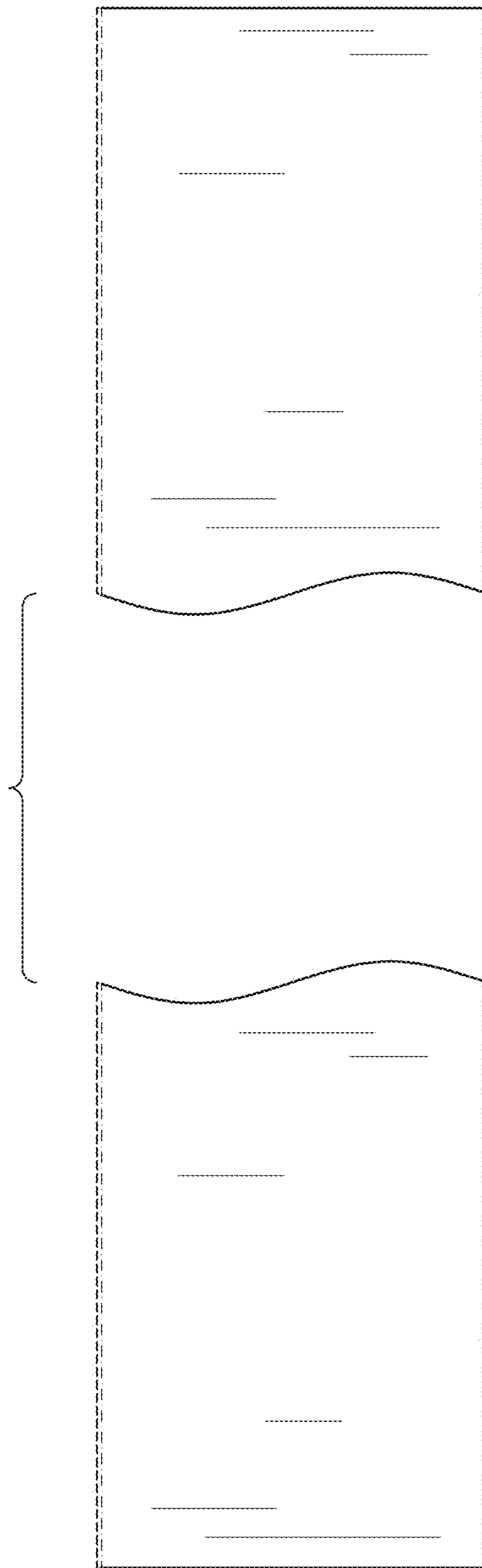


FIG. 2

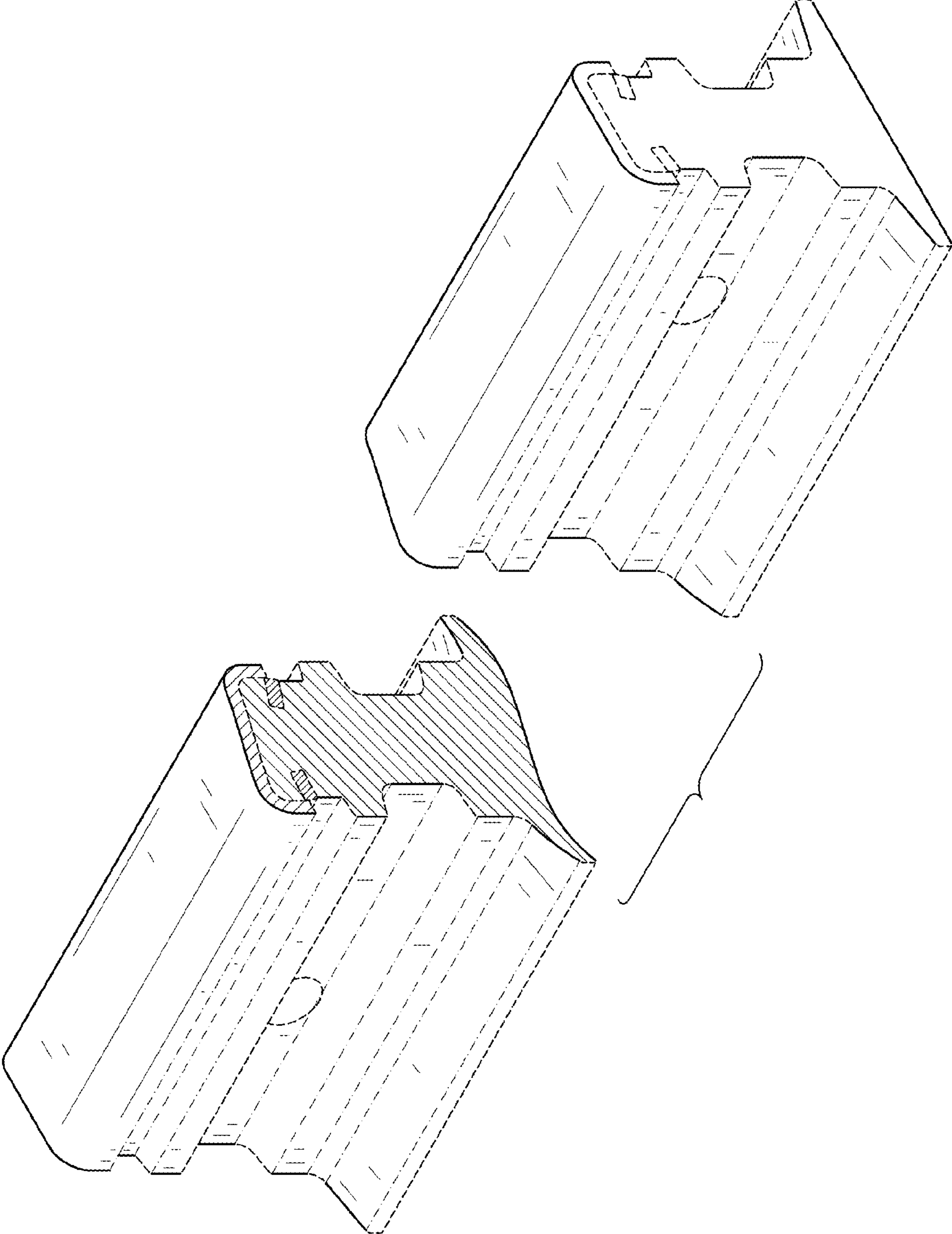


FIG. 3

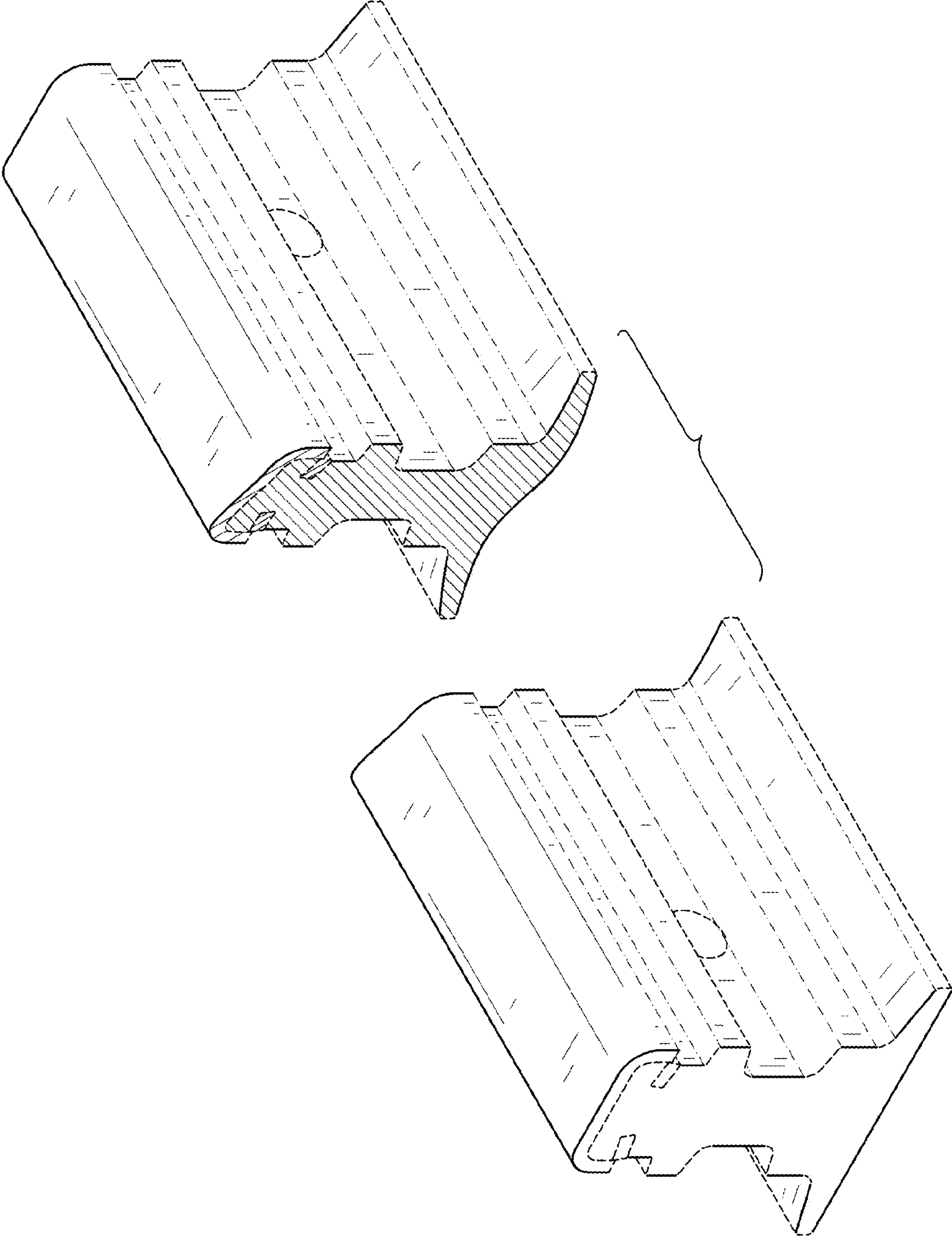


FIG. 4