

US00D955921S

(12) **United States Design Patent**
Venter

(10) **Patent No.:** **US D955,921 S**

(45) **Date of Patent:** **** Jun. 28, 2022**

(54) **DRONE**

(71) Applicant: **Jacques Venter**, Rivonia (ZA)

(72) Inventor: **Jacques Venter**, Rivonia (ZA)

(**) Term: **15 Years**

(21) Appl. No.: **29/725,102**

(22) Filed: **Feb. 21, 2020**

(30) **Foreign Application Priority Data**

Aug. 23, 2019 (ZA) A2019/01162

(51) **LOC (13) Cl.** **12-07**

(52) **U.S. Cl.**
USPC **D12/16.1**

(58) **Field of Classification Search**
USPC D12/1-4, 16.1, 319-345; D21/436, 441,
D21/443, 444, 446, 447, 448, 449, 450,
D21/451, 452, 453, 454
CPC B64C 2201/141; B64C 2201/20; B64C
2201/027; B64G 1/002; A63H 33/185
See application file for complete search history.

(56) **References Cited**

U.S. PATENT DOCUMENTS

D800,016 S * 10/2017 Huang D12/16.1
D813,724 S * 3/2018 Hu D12/16.1
D830,229 S * 10/2018 Lutterodt D12/16.1
D843,267 S * 3/2019 Gao D12/16.1
D853,279 S * 7/2019 Gan D12/16.1

D854,448 S * 7/2019 Chen D12/16.1
D856,848 S * 8/2019 Kim D12/16.1
D860,047 S * 9/2019 Gan D12/16.1
D861,573 S * 10/2019 He D12/328
D866,396 S * 11/2019 Chen D12/16.1
D874,338 S * 2/2020 Zhao D12/16.1
D874,973 S * 2/2020 Zhou D12/16.1
D874,974 S * 2/2020 Zhou D12/16.1
D881,067 S * 4/2020 Zhou D12/16.1
D882,460 S * 4/2020 Chen D12/16.1
D884,554 S * 5/2020 Chen D12/16.1
D904,226 S * 12/2020 Zhao D12/16.1
D906,881 S * 1/2021 Chen D12/16.1
D908,588 S * 1/2021 Zhao D12/328
D913,193 S * 3/2021 Xu D12/328
D918,308 S * 5/2021 Xu D21/441

* cited by examiner

Primary Examiner — Marissa J Cash

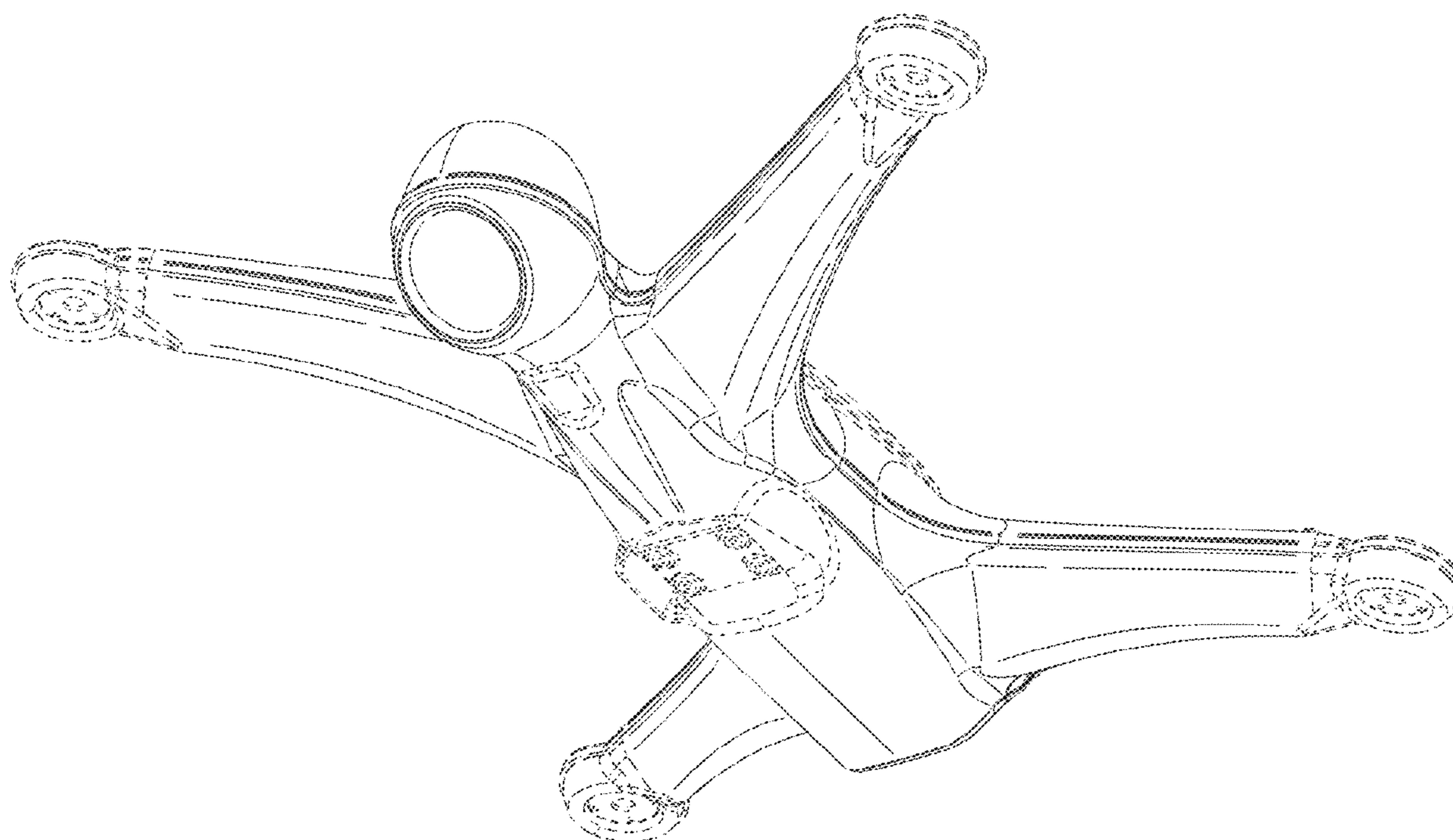
(57) **CLAIM**

The ornamental design for a drone, as shown and described.

DESCRIPTION

FIG. 1 is a bottom front perspective view of a drone showing my new design;
FIG. 2 is a top front perspective view thereof;
FIG. 3 is a top plan view thereof;
FIG. 4 is a front view thereof; and,
FIG. 5 is a left side view, the right side being a mirror image thereof.
The broken lines illustrate portions of the drone that form no part of the claimed design.

1 Claim, 2 Drawing Sheets



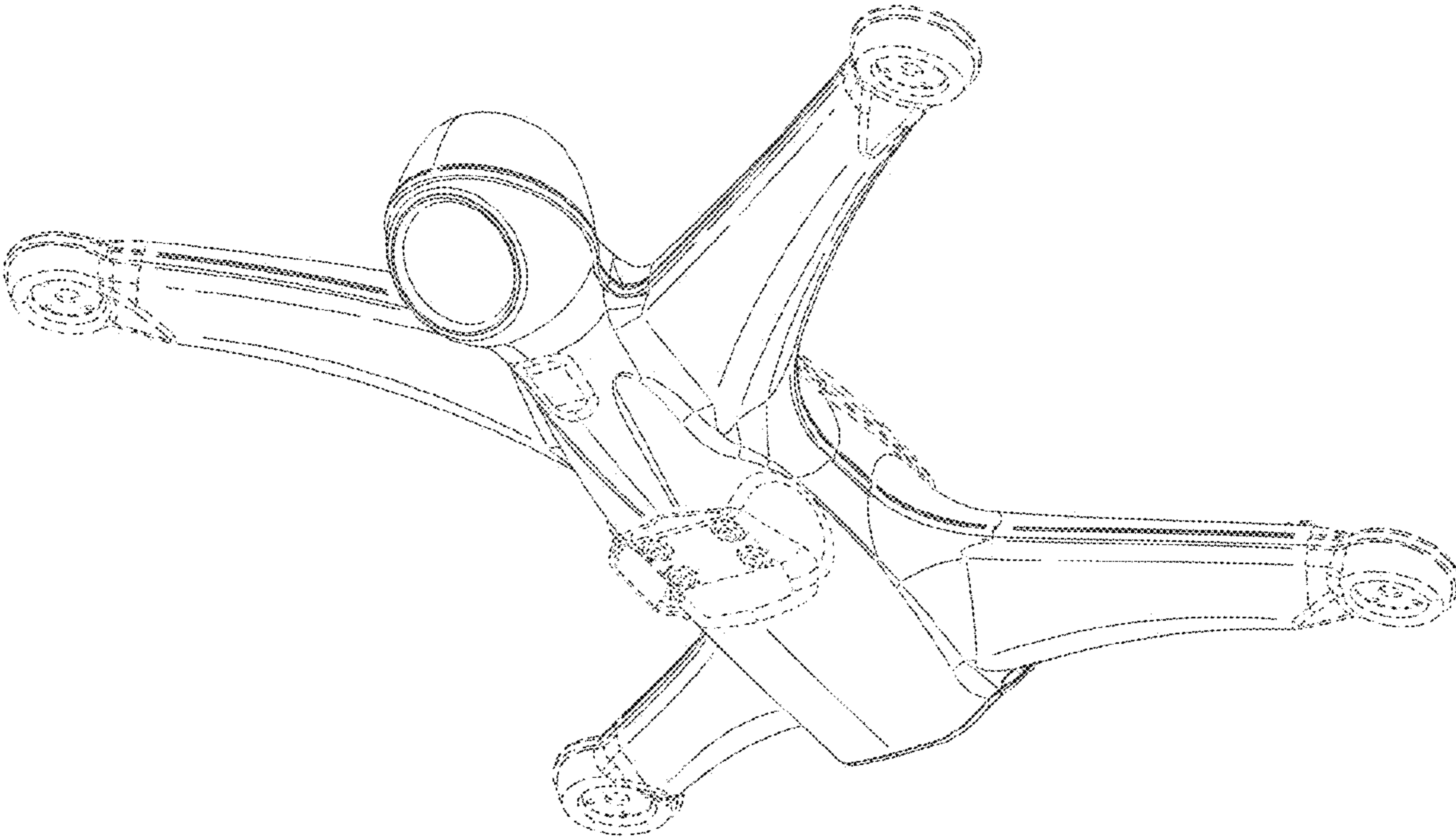


FIG. 1

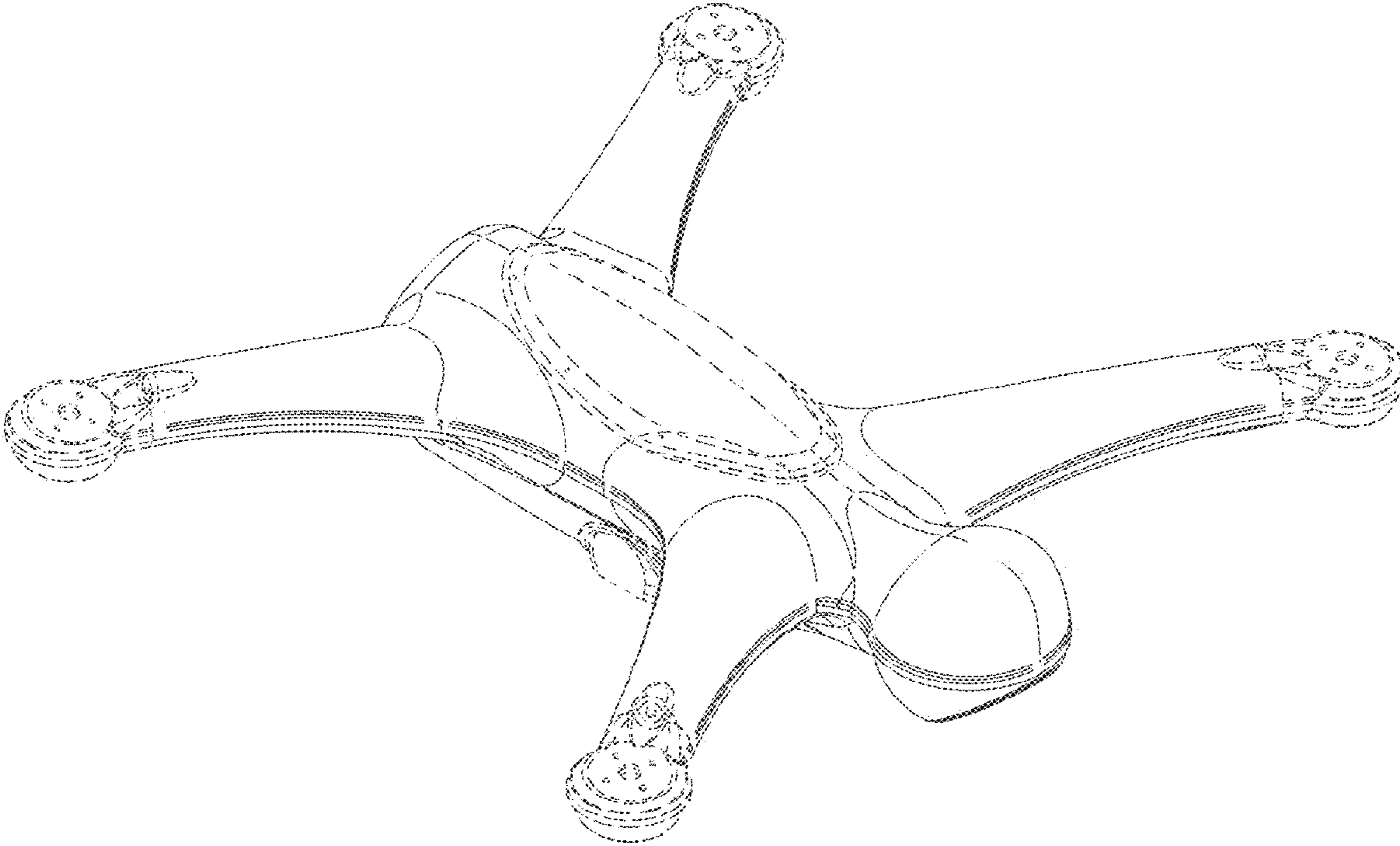


FIG. 2

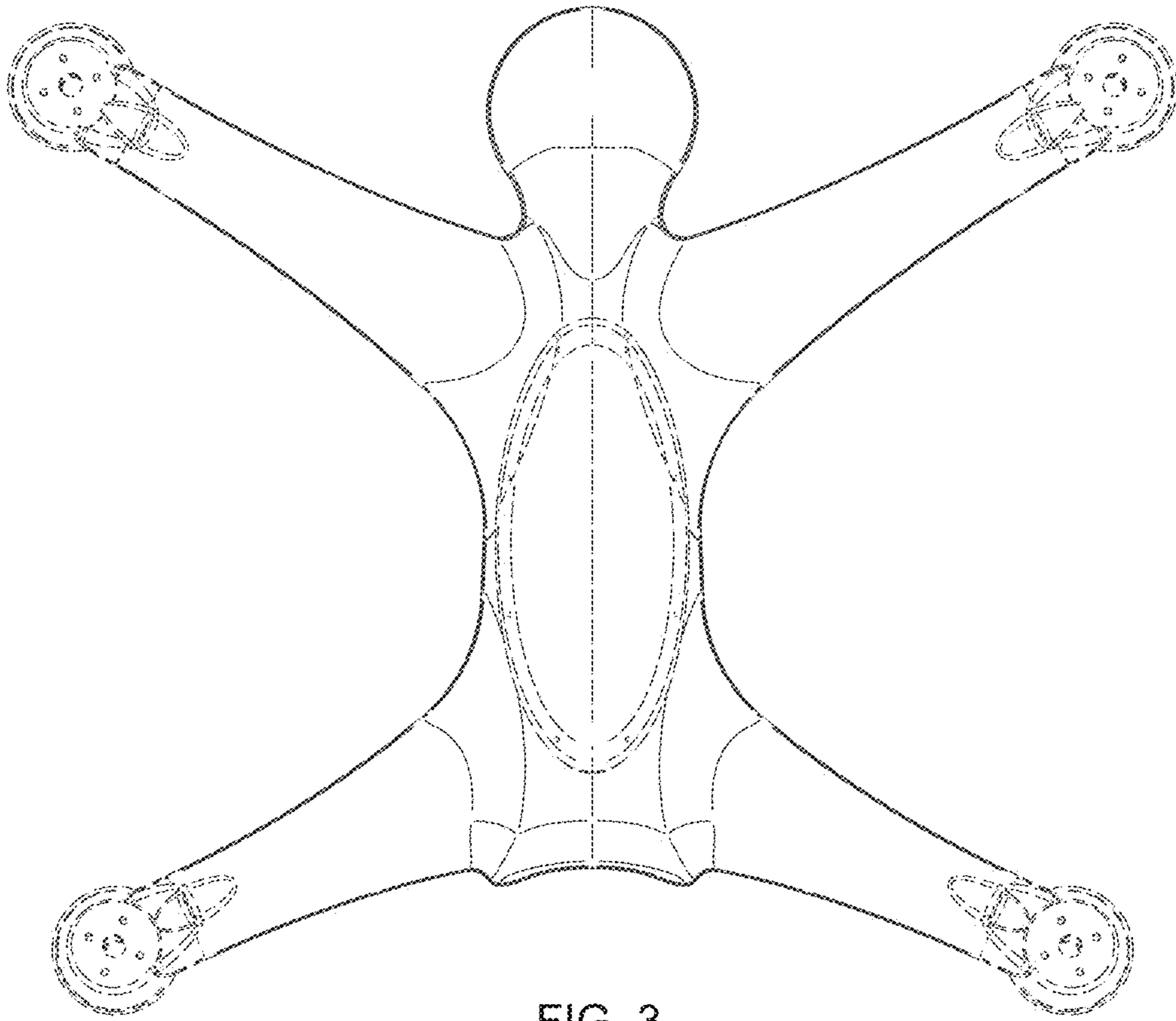


FIG. 3

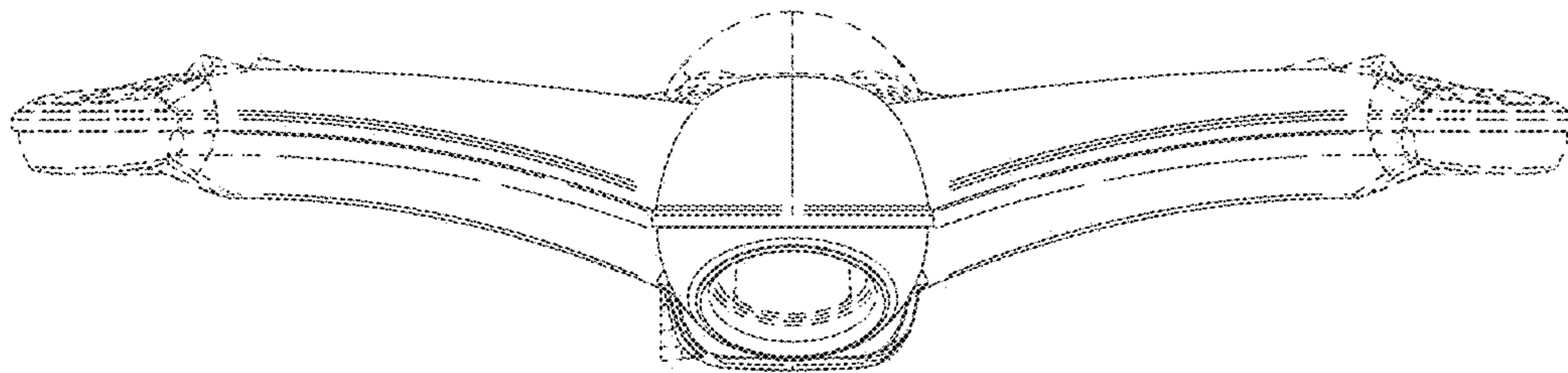


FIG. 4

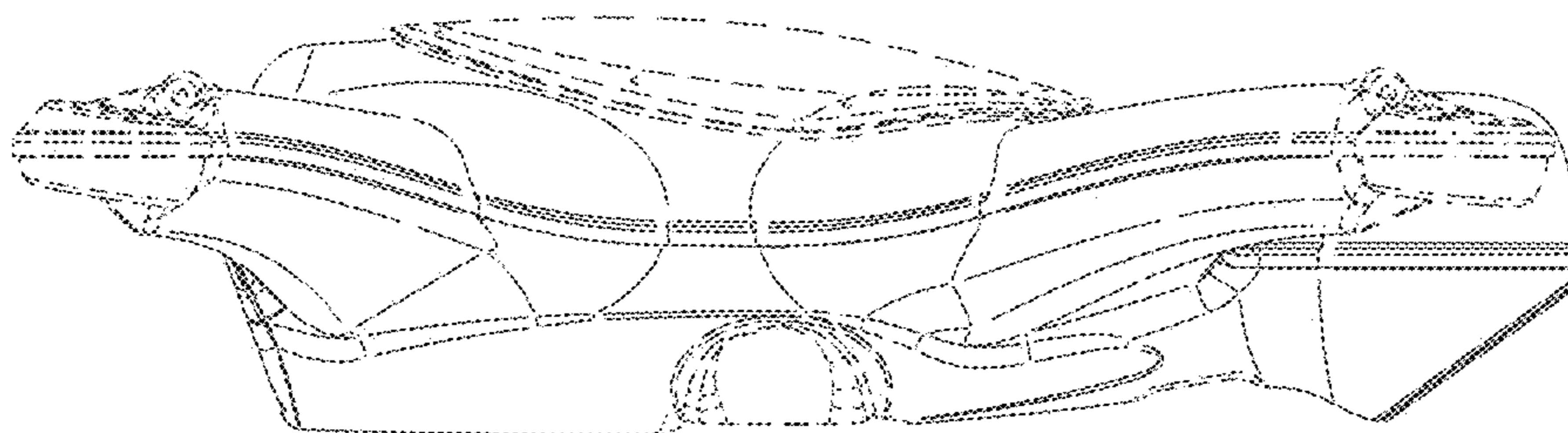


FIG. 5