



US00D955919S

(12) **United States Design Patent**  
**Vaccarello**

(10) **Patent No.:** **US D955,919 S**  
(45) **Date of Patent:** **\*\* Jun. 28, 2022**

(54) **CLASP**

(71) Applicant: **YVES SAINT LAURENT, Paris (FR)**

(72) Inventor: **Anthony Vaccarello, Paris (FR)**

(73) Assignee: **Yves Saint Laurent, Paris (FR)**

(\*\*) Term: **15 Years**

(21) Appl. No.: **29/730,340**

(22) Filed: **Apr. 3, 2020**

(30) **Foreign Application Priority Data**

Mar. 20, 2020 (EM) ..... 007762927-0001

(51) **LOC (13) Cl.** ..... **02-07**

(52) **U.S. Cl.**  
USPC ..... **D11/215; D3/318**

(58) **Field of Classification Search**  
USPC ..... D3/200, 201, 215, 222, 224, 226, 228,  
D3/318, 323, 324; D11/87, 94, 200, 201,  
D11/208-210, 212, 214, 215, 216, 218,  
D11/220, 221, 228; D29/122; D30/139,  
D30/152

CPC ..... A44B 11/00; A44B 11/001; A44B 11/006;  
A44B 11/04; A44B 11/06; A44B 11/065;  
A44B 11/18; A44B 11/20; A44B 11/2538;  
A44B 13/0047; A44B 19/00; A44B  
19/26; Y10T 24/15; Y10T 24/498; Y10T  
24/1467; Y10T 24/1488; Y10T 70/5035;  
Y10T 16/455; B65D 65/06; A45F  
2200/0516; A45F 2200/0575; F41C  
33/007; F41C 33/008; E05C 19/14; E05C  
19/007

See application file for complete search history.

(56) **References Cited**

**U.S. PATENT DOCUMENTS**

323,830 A \* 8/1885 Seymour ..... E05C 19/14  
292/247  
1,202,002 A \* 10/1916 Stone ..... E05C 19/14  
70/76

D77,264 S \* 12/1928 Stone ..... D8/338  
D107,686 S \* 12/1937 Lichter ..... D11/220  
D121,738 S \* 7/1940 Coblentz ..... D8/338  
D121,754 S \* 7/1940 Pichel' ..... D8/342  
D125,246 S \* 2/1941 Pichel' ..... D3/324  
D270,615 S \* 9/1983 Stuart ..... D11/208  
D273,345 S \* 4/1984 Degenshein ..... D11/210  
D471,716 S \* 3/2003 Wolf ..... D3/318  
D532,200 S \* 11/2006 Gonzalez ..... D3/326  
D681,338 S \* 5/2013 Holloway ..... D3/318  
D729,515 S \* 5/2015 Slimane ..... D3/242  
D803,569 S \* 11/2017 Fusi ..... D3/318  
D814,192 S \* 4/2018 Fusi ..... D3/318  
D837,523 S \* 1/2019 Fusi ..... D3/322  
D838,488 S \* 1/2019 Dolce ..... D3/323

(Continued)

*Primary Examiner* — Richard Kearney

(74) *Attorney, Agent, or Firm* — Rothwell, Figg, Ernst & Manbeck, P.C.

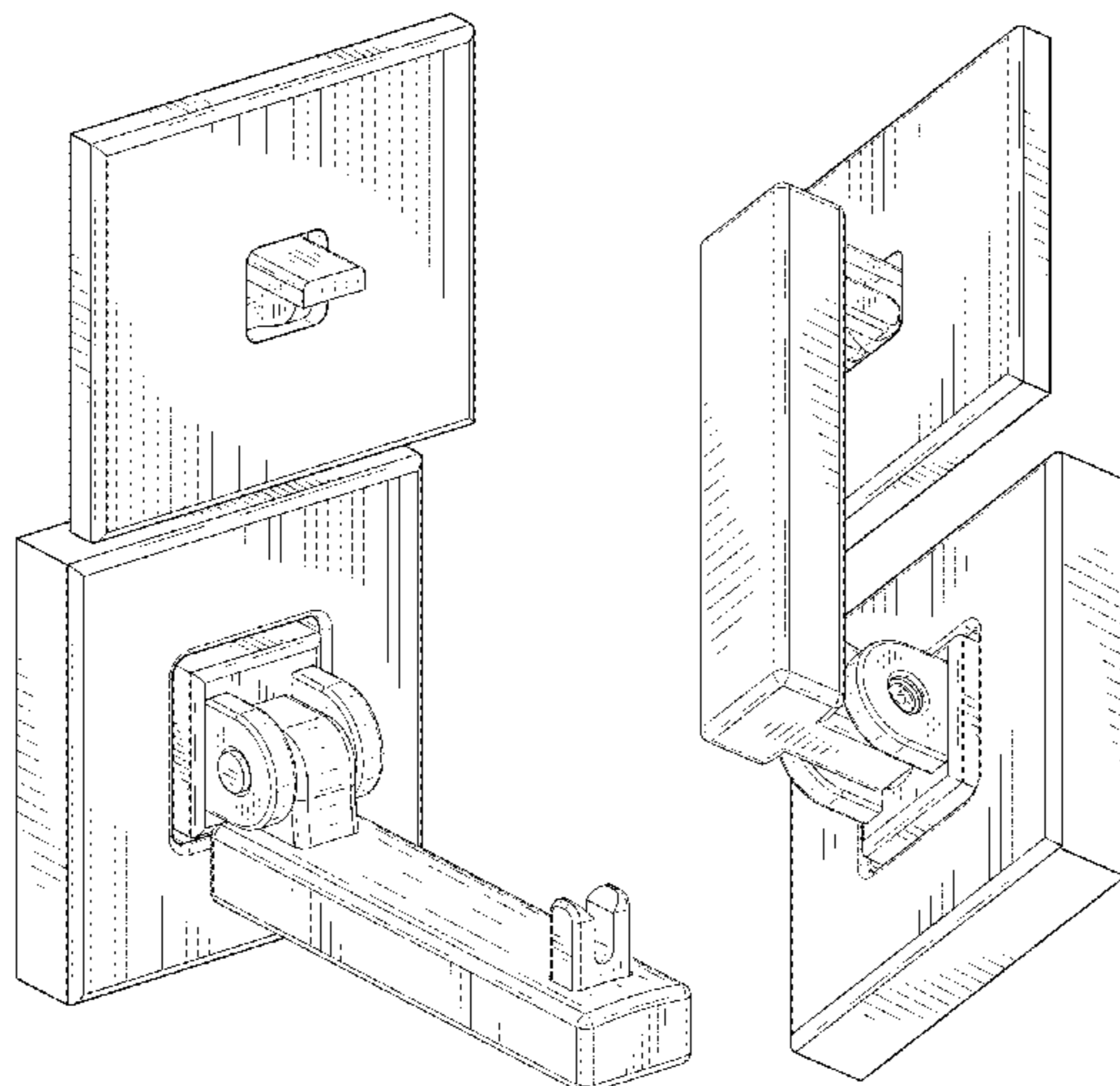
(57) **CLAIM**

The ornamental design for a clasp, as shown and described.

**DESCRIPTION**

FIG. 1 is a front perspective view of a clasp in open position showing my new design;  
FIG. 2 is a front perspective view in closed position thereof;  
FIG. 3 is a top view in open position thereof;  
FIG. 4 is a bottom view in closed position thereof;  
FIG. 5 is a left side view in open position thereof;  
FIG. 6 is a right side view in closed position thereof;  
FIG. 7 is a front view in open position thereof;  
FIG. 8 is a rear view in closed position thereof; and,  
FIG. 9 is a purse with clasp in closed position thereof.  
The purse portion of FIG. 9 shown in broken lines forms no part of the claimed design.

**1 Claim, 6 Drawing Sheets**



(56)

**References Cited**

U.S. PATENT DOCUMENTS

D838,988 S \* 1/2019 Fusi ..... D3/322  
D888,433 S \* 6/2020 Galanti ..... D3/318

\* cited by examiner

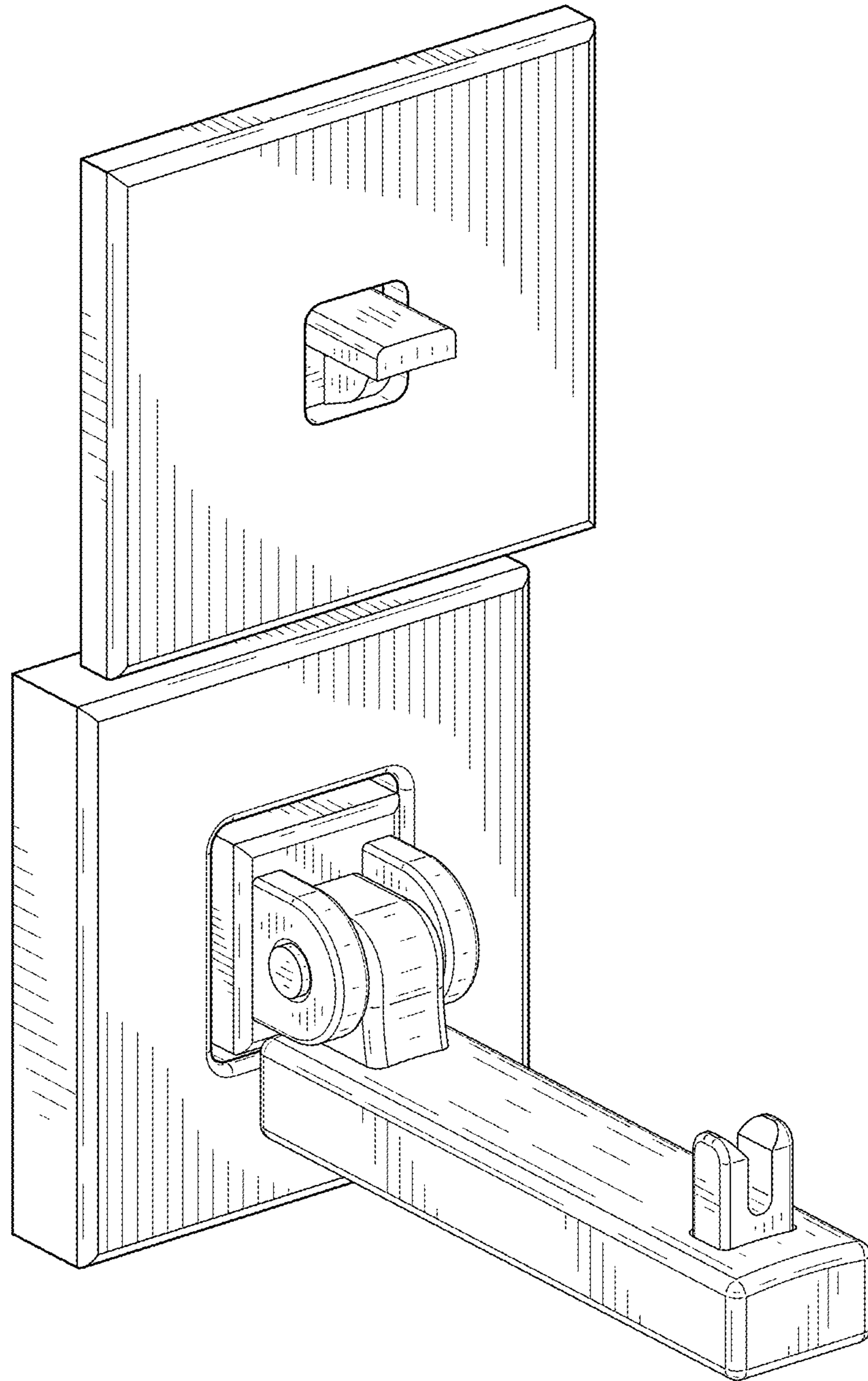


FIG. 1

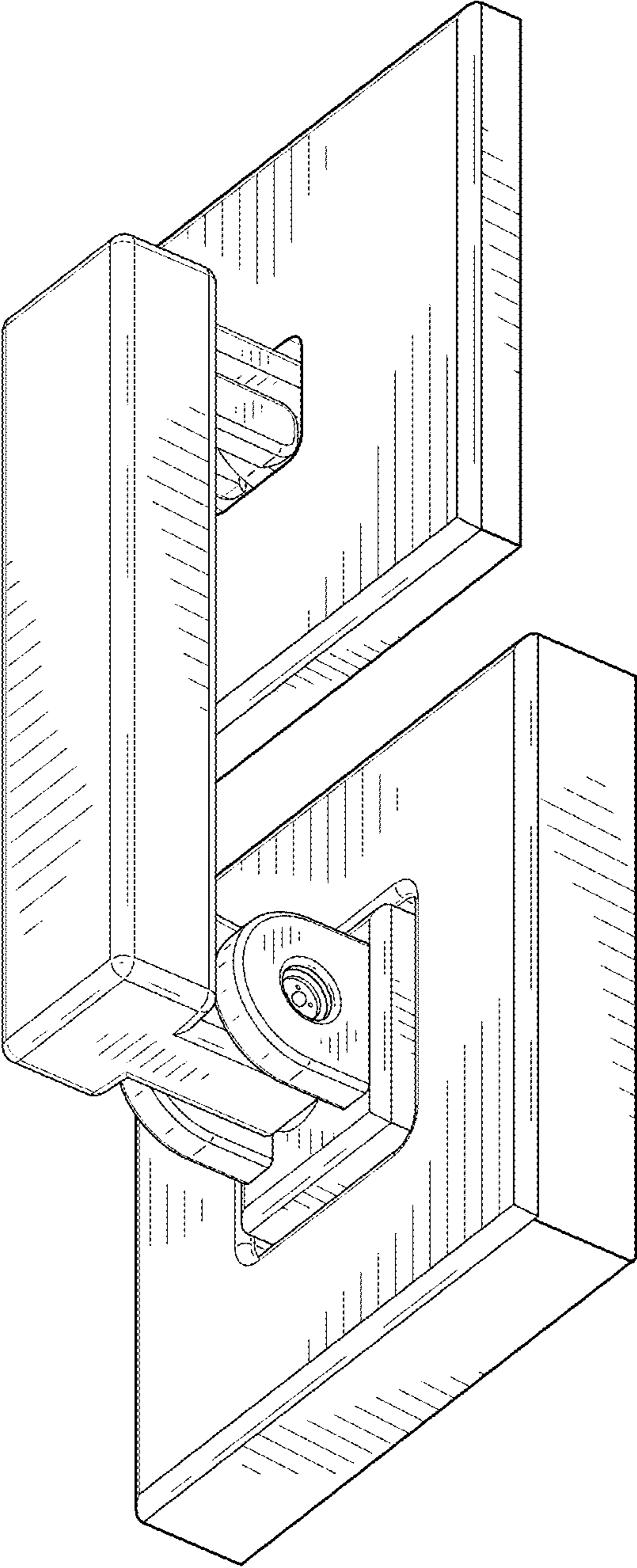


FIG. 2

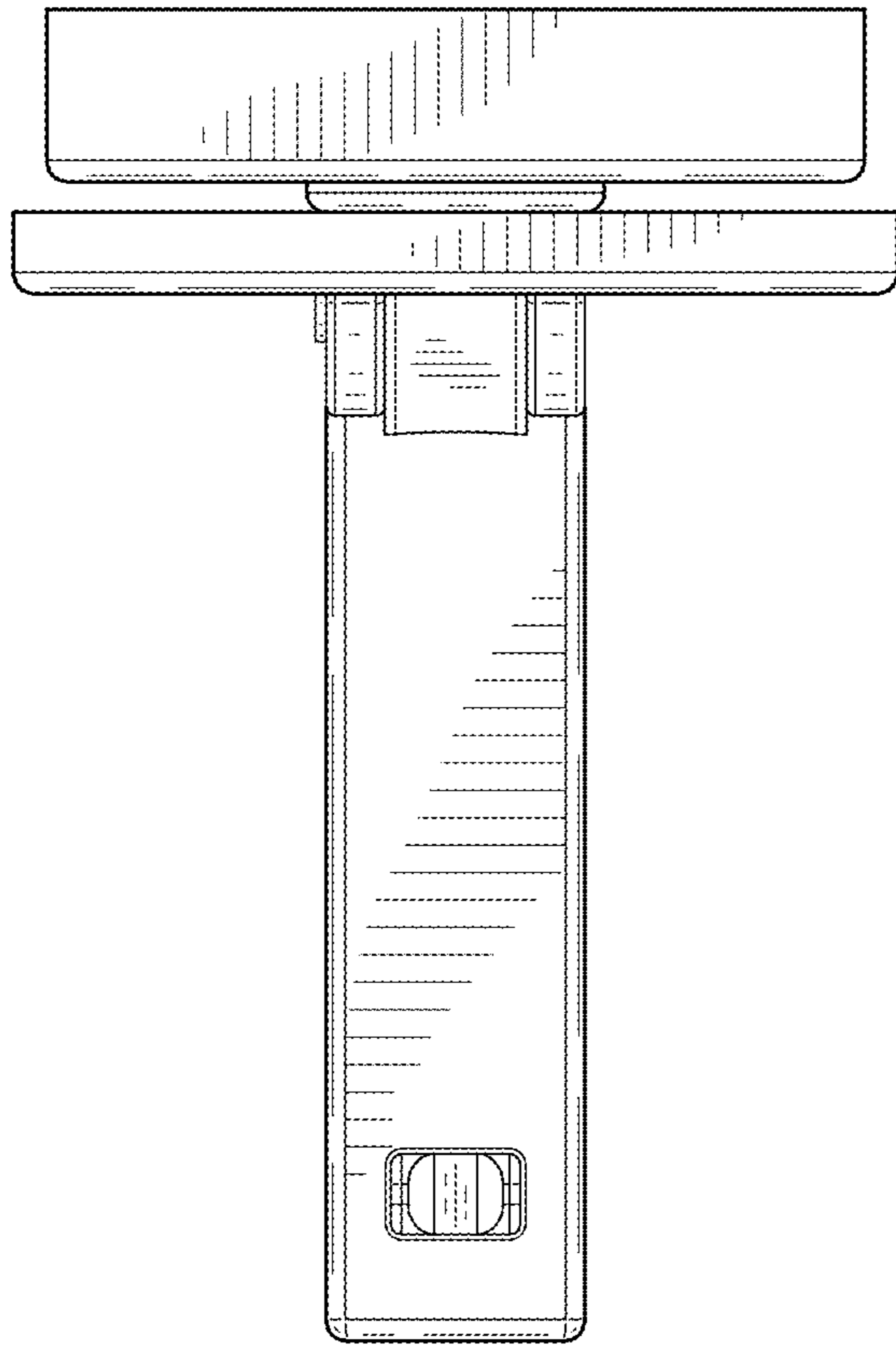


FIG. 3

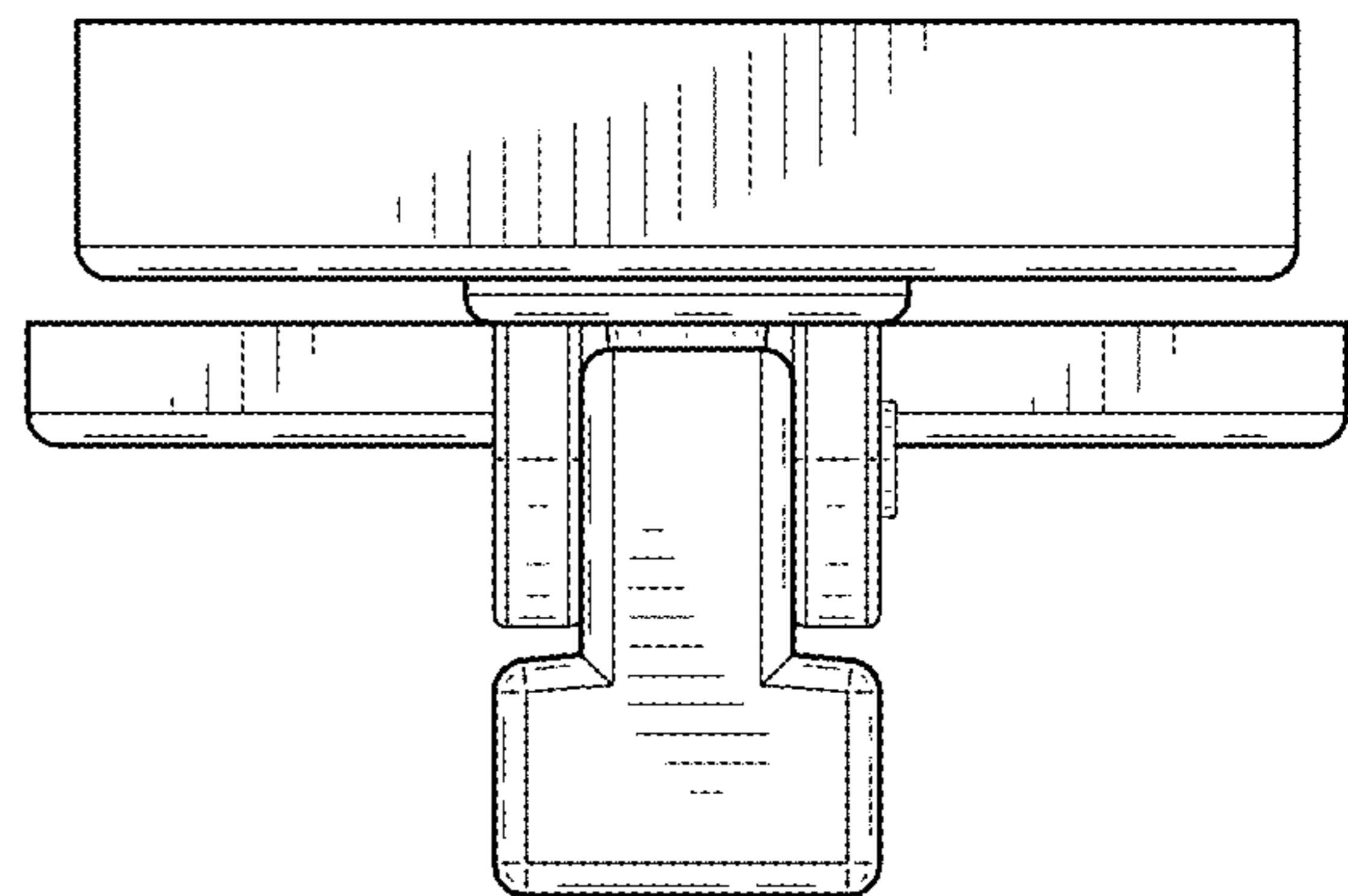


FIG. 4

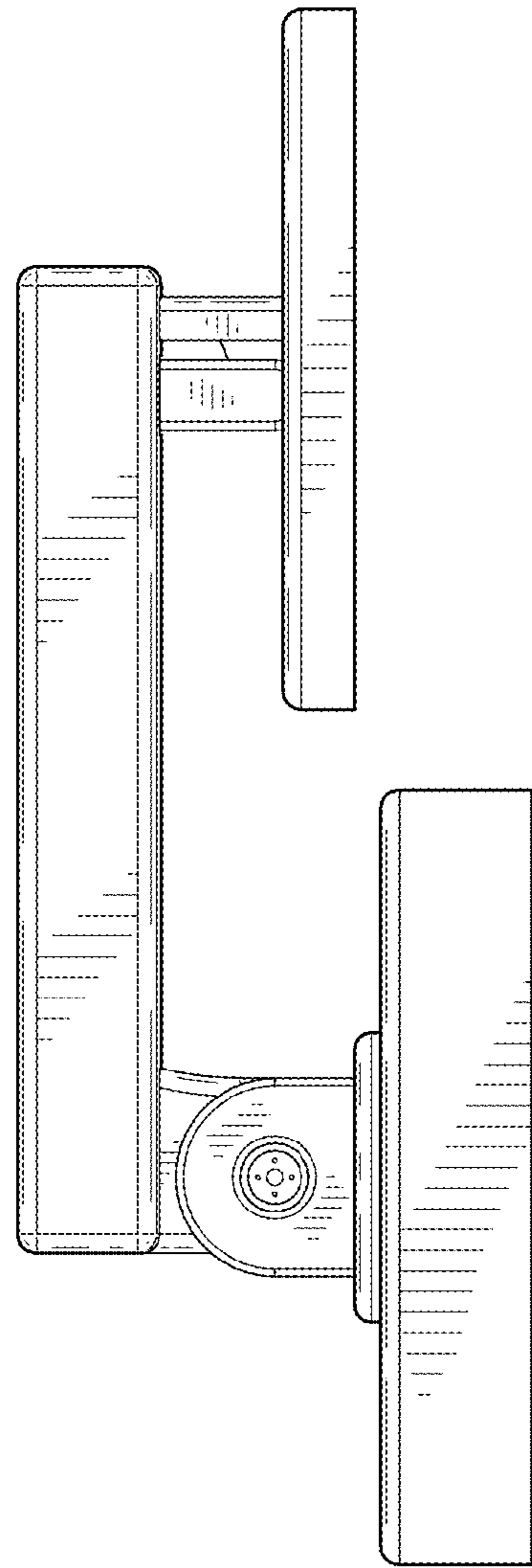
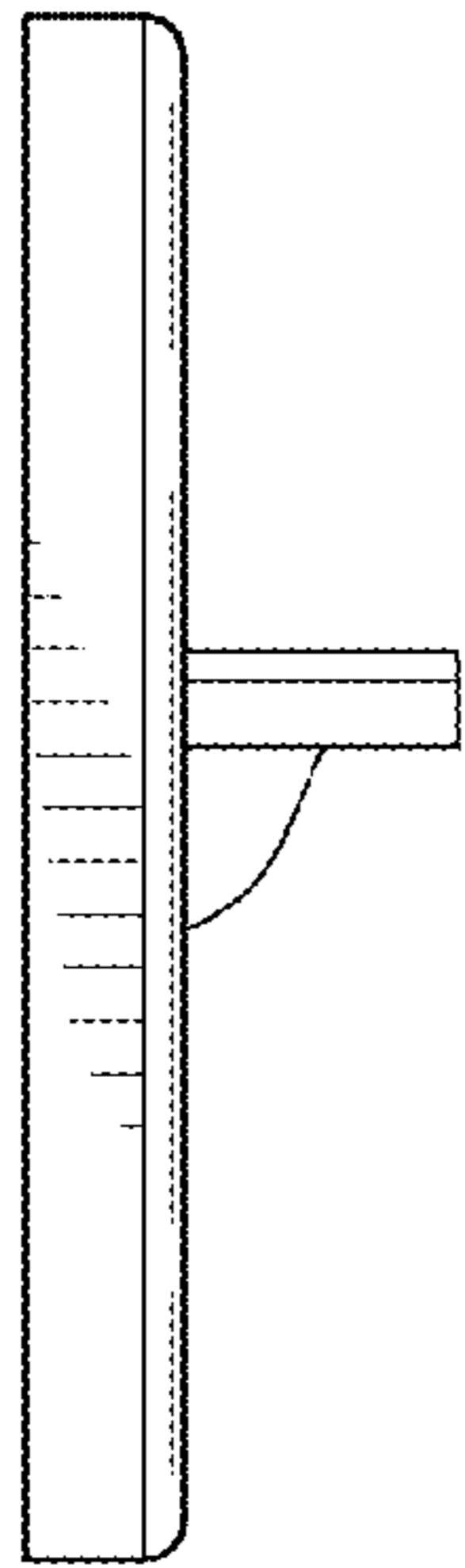


FIG. 6

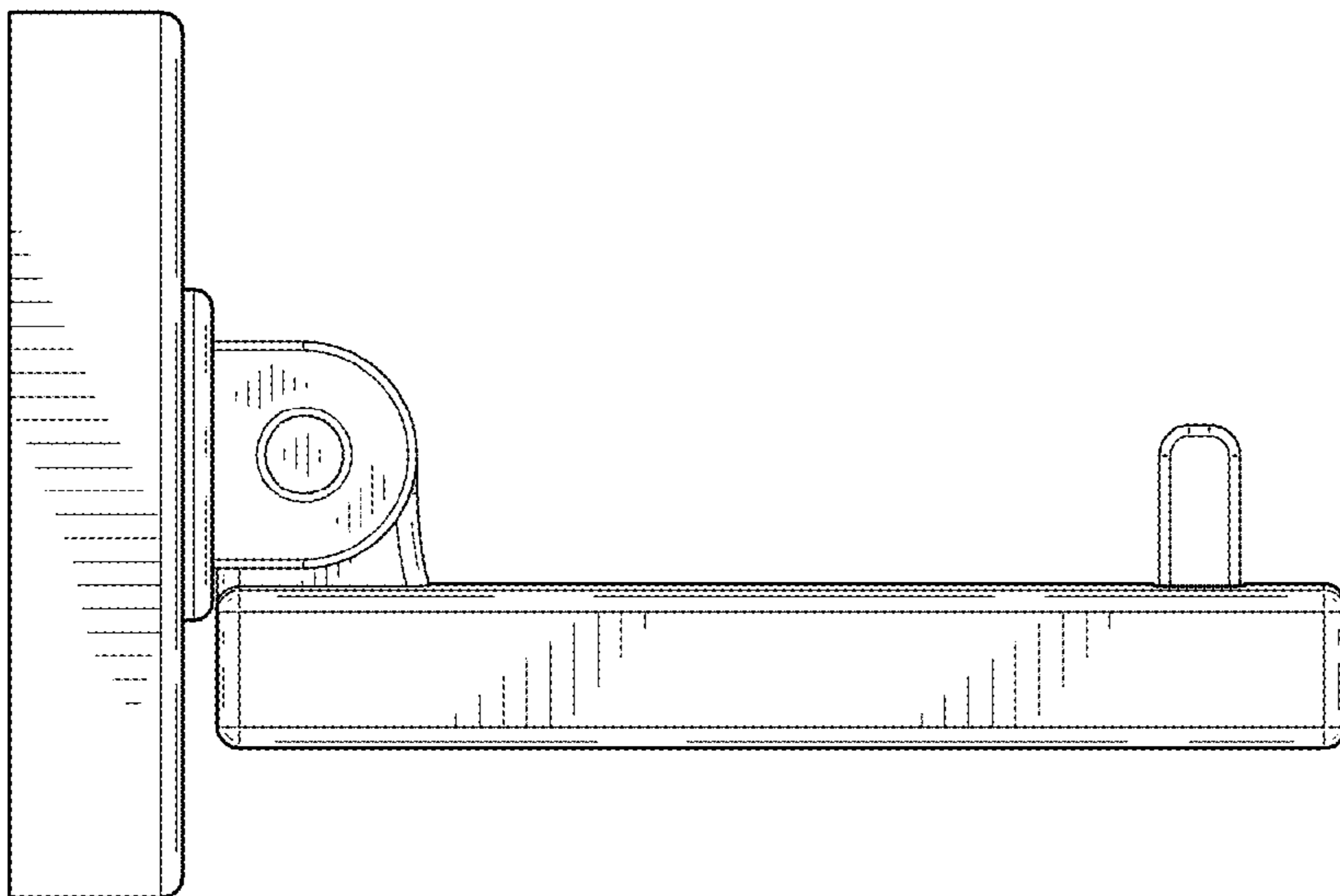


FIG. 5

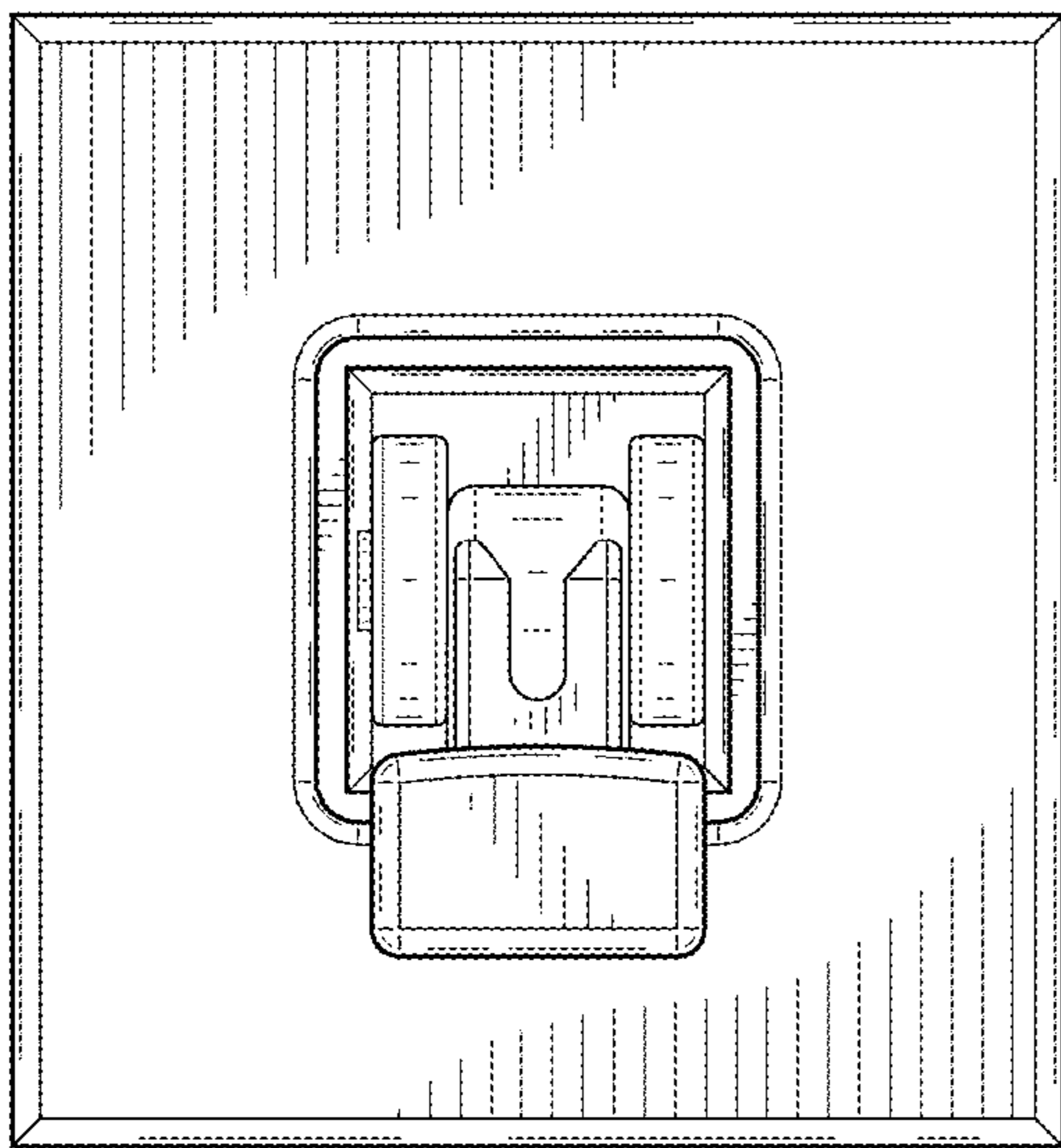
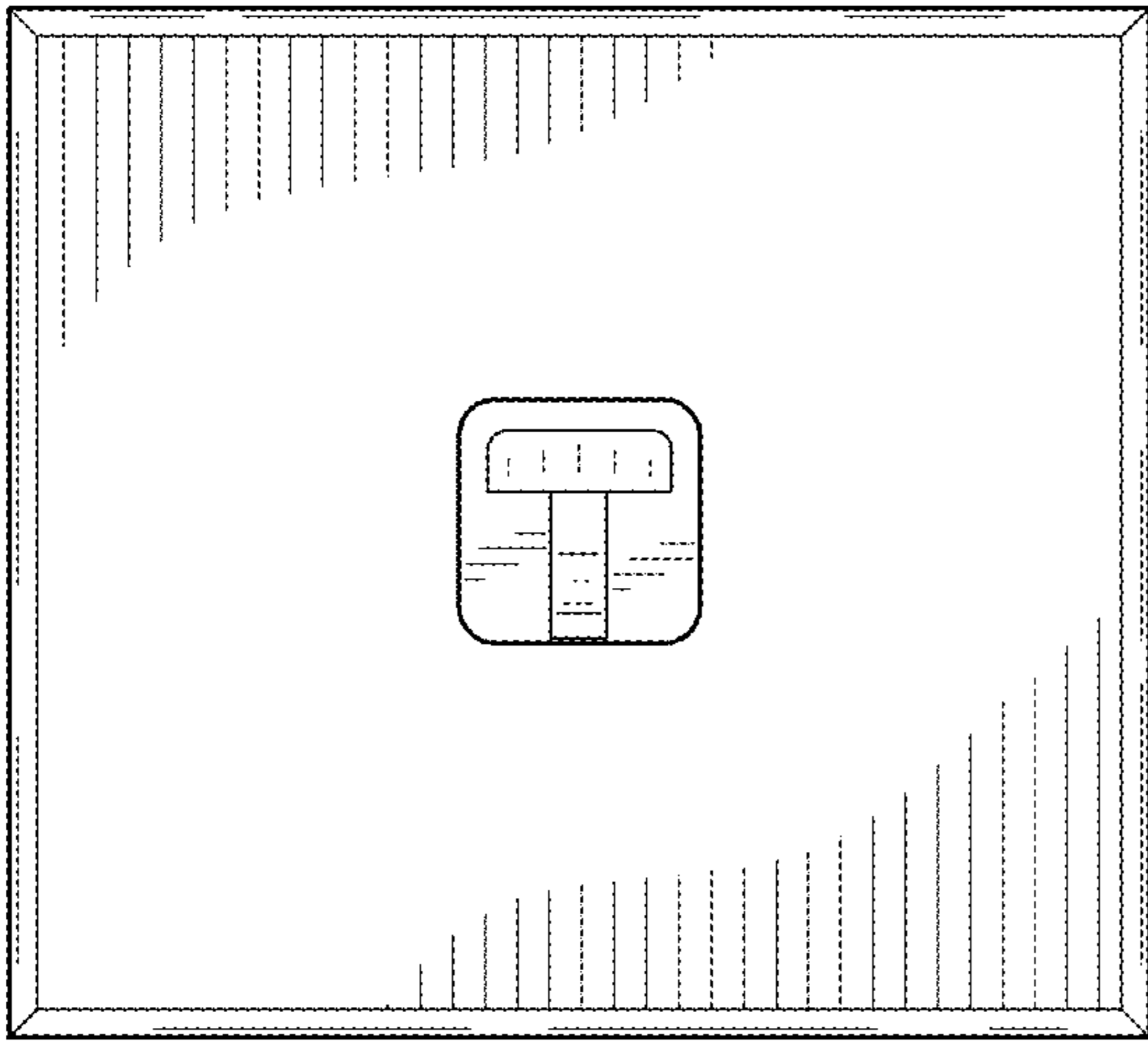


FIG. 7

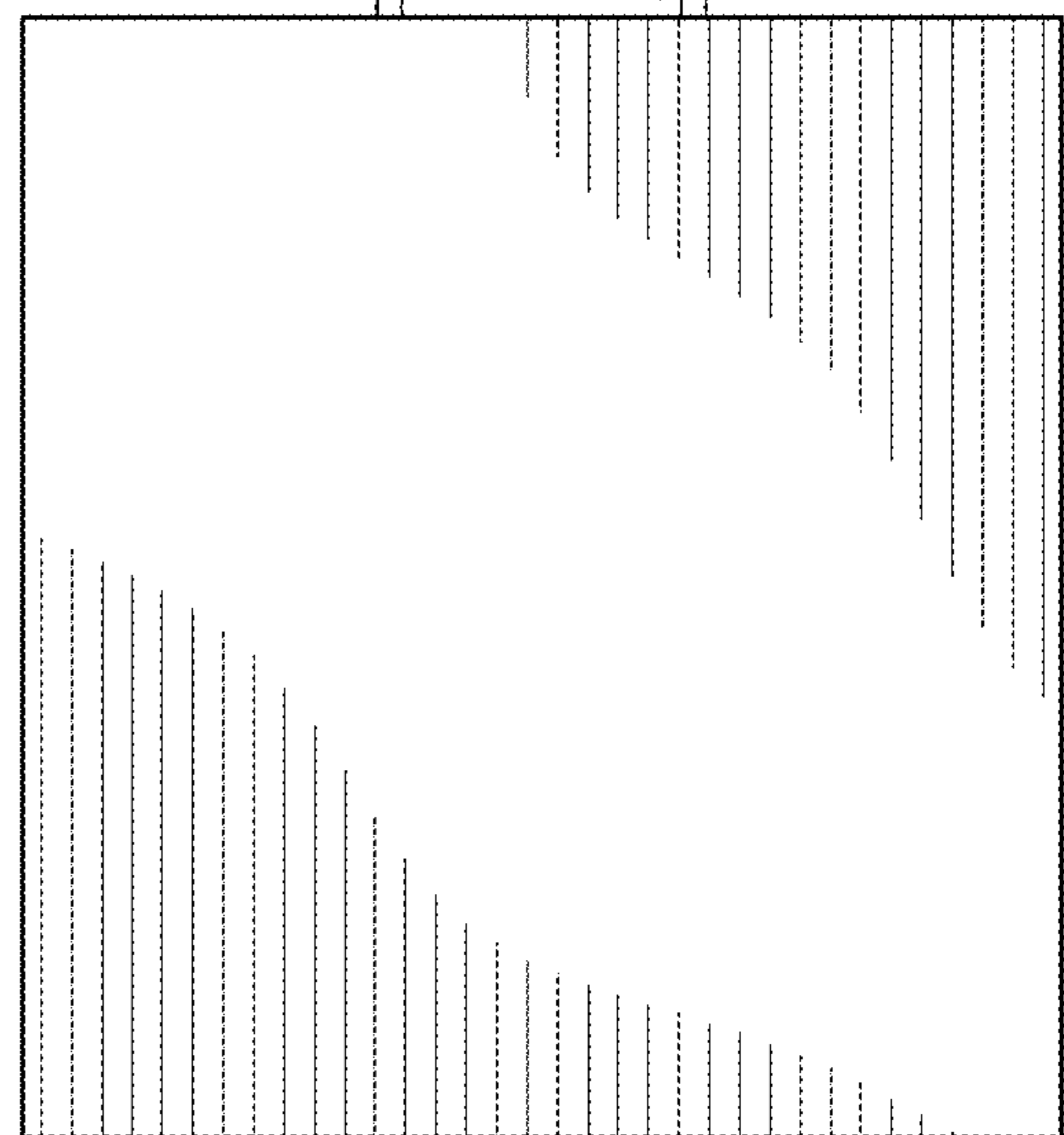
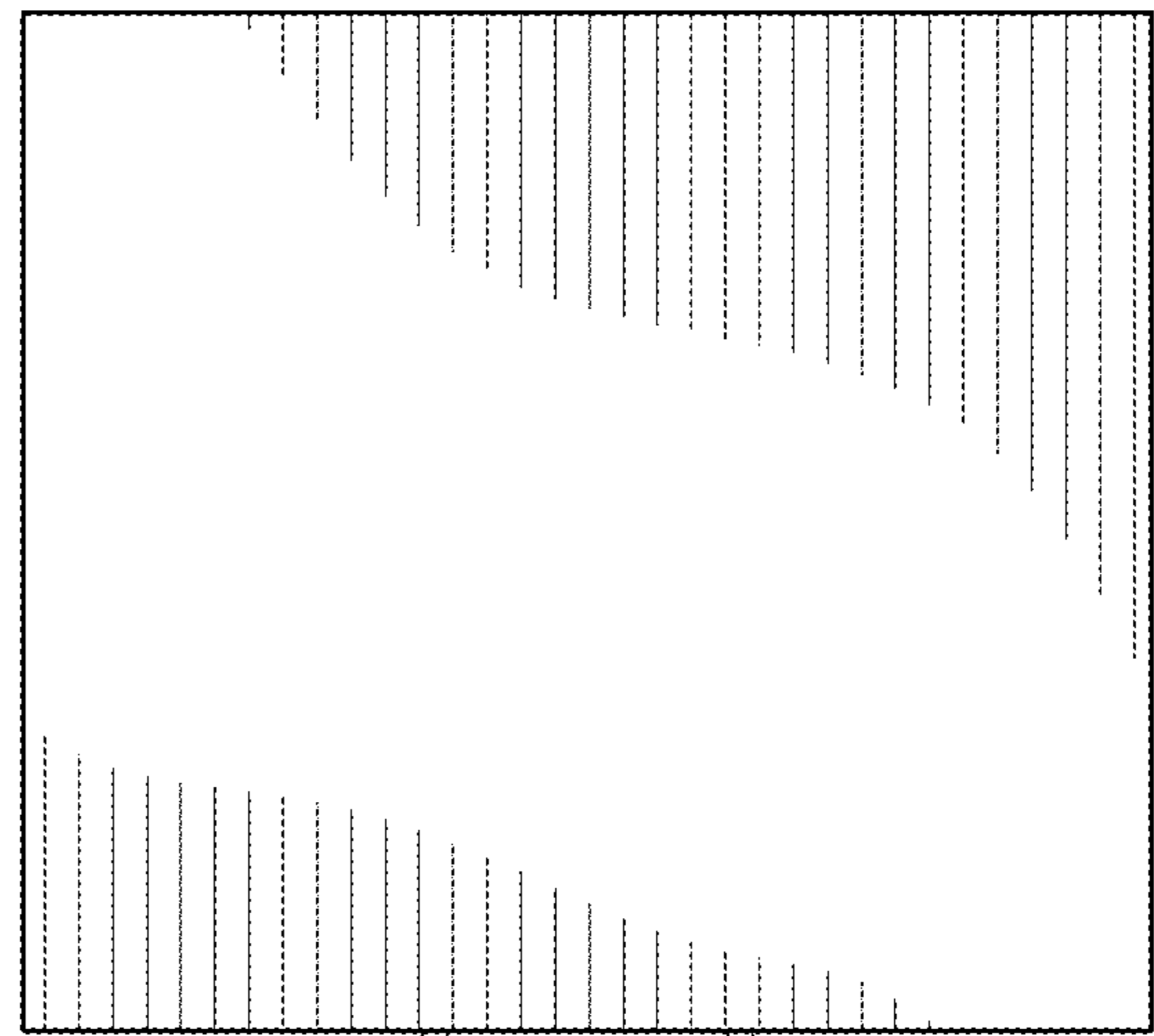


FIG. 8

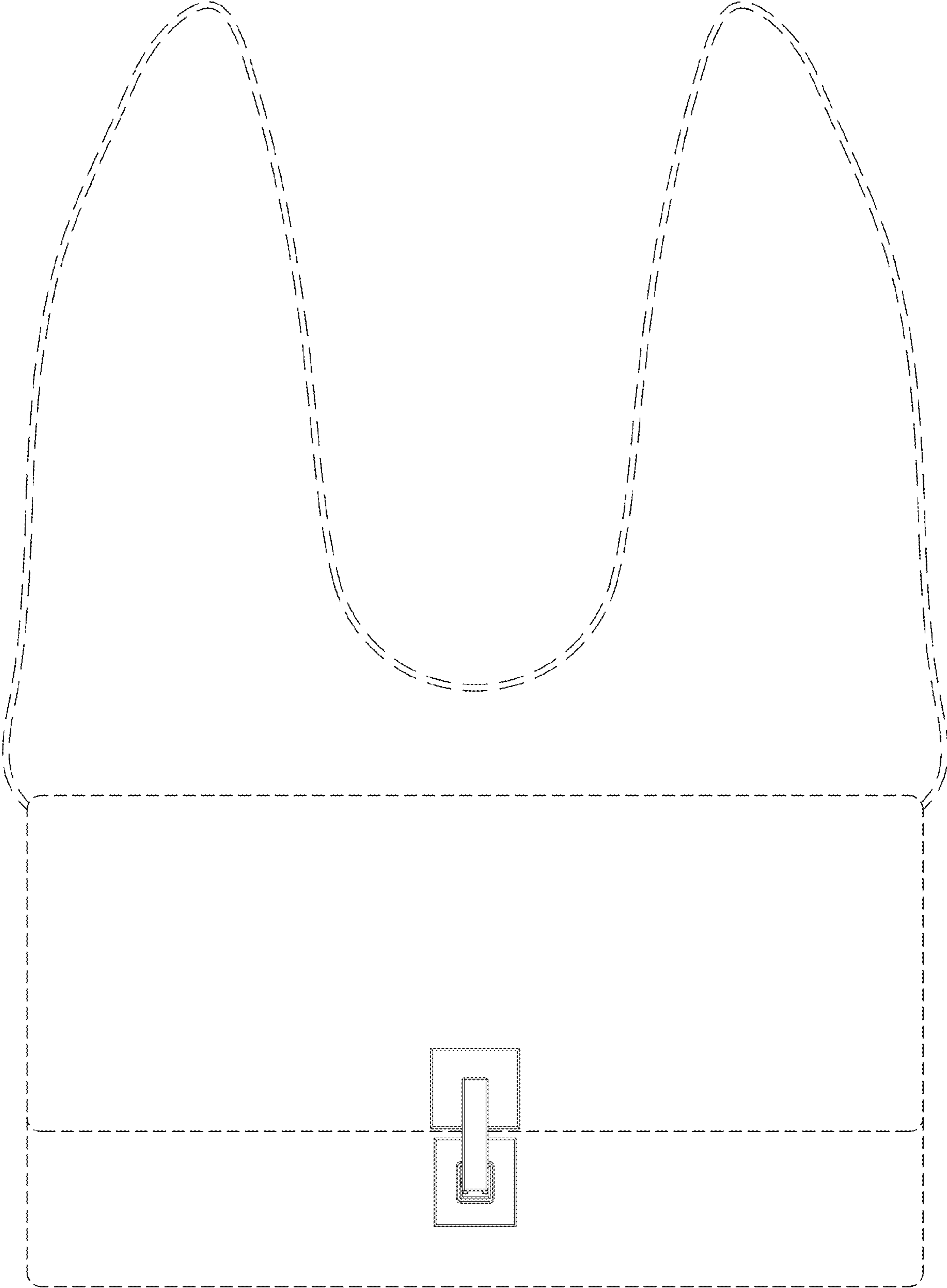


FIG. 9