



US00D955916S

(12) **United States Design Patent**
Chen

(10) **Patent No.:** **US D955,916 S**
(45) **Date of Patent:** **** Jun. 28, 2022**

(54) **SELF-DEFENSE RING**
(71) Applicant: **Jintao Chen**, Xiamen (CN)
(72) Inventor: **Jintao Chen**, Xiamen (CN)
(**) Term: **15 Years**
(21) Appl. No.: **29/808,782**
(22) Filed: **Sep. 22, 2021**
(51) **LOC (13) Cl.** **11-01**
(52) **U.S. Cl.**
USPC **D11/26; D22/117**
(58) **Field of Classification Search**
USPC D11/26–39, 91, 92, 86, 1, 2, 3; D22/117,
D22/199
CPC A44C 9/00; A44C 9/0007; A44C 9/0015;
A44C 9/0023; A44C 9/003; A44C
9/0038; A44C 9/0046; A44C 9/0053;
A44C 9/0061; A44C 9/0069; A44C
9/0076; A44C 9/0084; A44C 9/0092;
A44C 9/02; A44C 1/00; A44C 15/00;
A44C 15/003; F41B 15/08; F41B 13/00;
B26B 27/00

See application file for complete search history.

(56) **References Cited**

U.S. PATENT DOCUMENTS

D59,236 S * 10/1921 Lapidus D11/38
3,648,371 A * 3/1972 Petrosky B26B 27/007
30/298
5,398,524 A * 3/1995 Rochez A44C 9/0053
63/15
5,588,214 A * 12/1996 Nelson B26B 27/007
30/298
D398,365 S * 9/1998 Bader D22/117
D424,965 S * 5/2000 Gueit D11/26
D439,189 S * 3/2001 Gueit D11/29
D523,328 S 6/2006 Ramos
D787,971 S * 5/2017 Traglio D11/26
D835,540 S 12/2018 Bellisha

D849,875 S * 5/2019 Dopps D22/117
D918,765 S * 5/2021 Avni D11/26
2016/0286910 A1 * 10/2016 Fisher B26B 29/00
2017/0280837 A1 * 10/2017 Simkin-Brocato ... B26B 27/007
2019/0174887 A1 * 6/2019 Lee F41B 13/00

OTHER PUBLICATIONS

[Online] “ZPFGOA Stainless Steel . . .” https://www.amazon.com/ZPFGOA-Stainless-Personality-Emergency-Self-defense/dp/B09WMDQWTT/ref=sr_1_109?crd=3TJPR39JEUZ7J&keywords=self+defense+ring&qid=1650749378&srefix=self+defense+ring%2Caps%2C81&sr=8-109. Retrieved Apr. 23, 2022. Posted online Mar. 28, 2022.*

[Online] “Self Defence Protect Rings . . .” <https://www.ebay.com/itm/154124831447>. Retrieved Apr. 23, 2022.*

* cited by examiner

Primary Examiner — Melanie Pellegrini

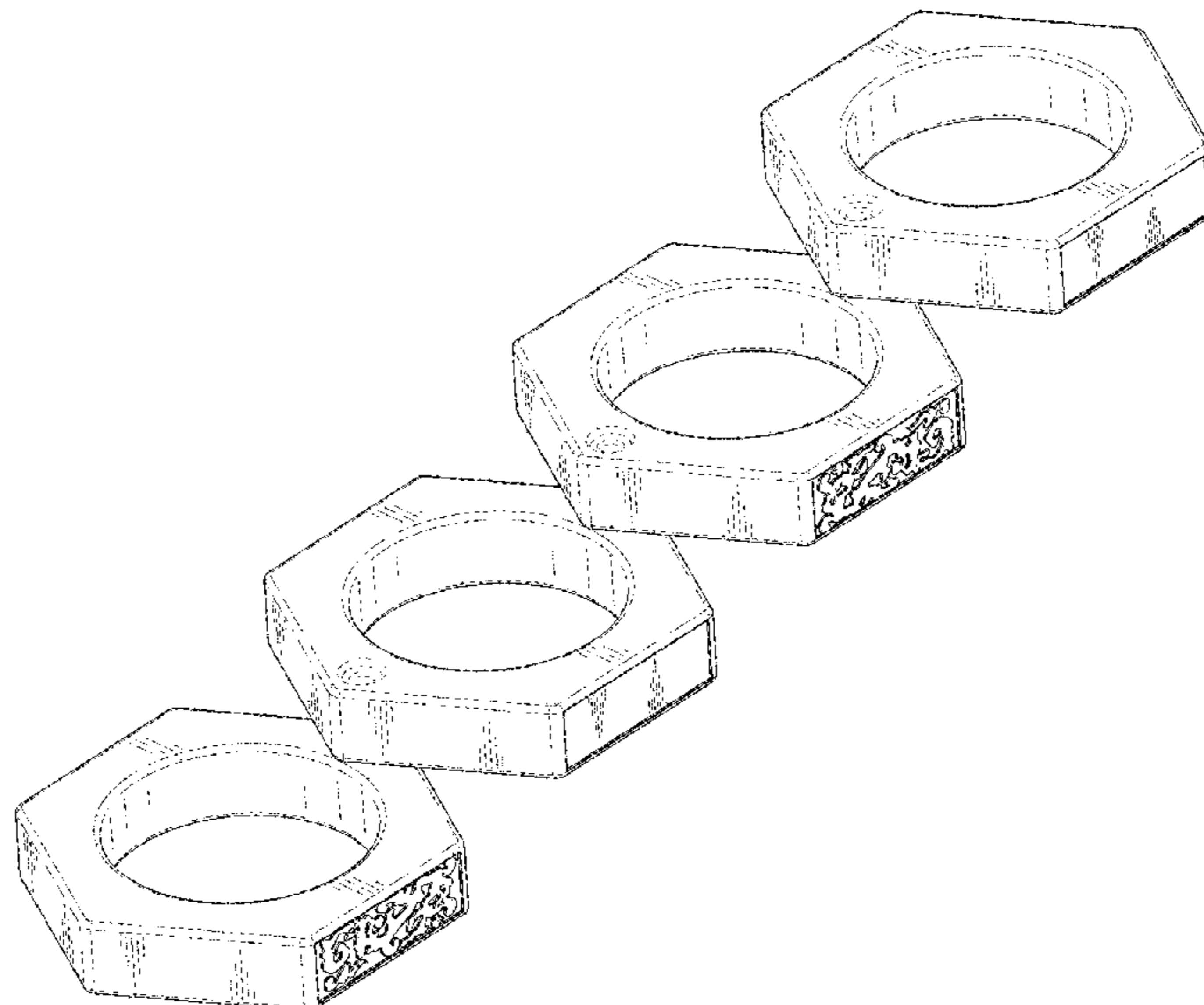
(57) **CLAIM**

The ornamental design for self-defense ring, as shown and described.

DESCRIPTION

FIG. 1 is a perspective view of self-defense ring showing my new design;
FIG. 2 is another perspective view thereof;
FIG. 3 is a front elevational view thereof;
FIG. 4 is a rear elevational view thereof;
FIG. 5 is a left side elevational view thereof;
FIG. 6 is a right side elevational view thereof;
FIG. 7 is a top plan view thereof;
FIG. 8 is a bottom plan view thereof; and,
FIG. 9 is a perspective view of the self-defense ring where the self-defense ring is in a configuration of use.
The broken lines in the drawings depict portions of the self-defense ring that form no part of the claimed design.

1 Claim, 9 Drawing Sheets



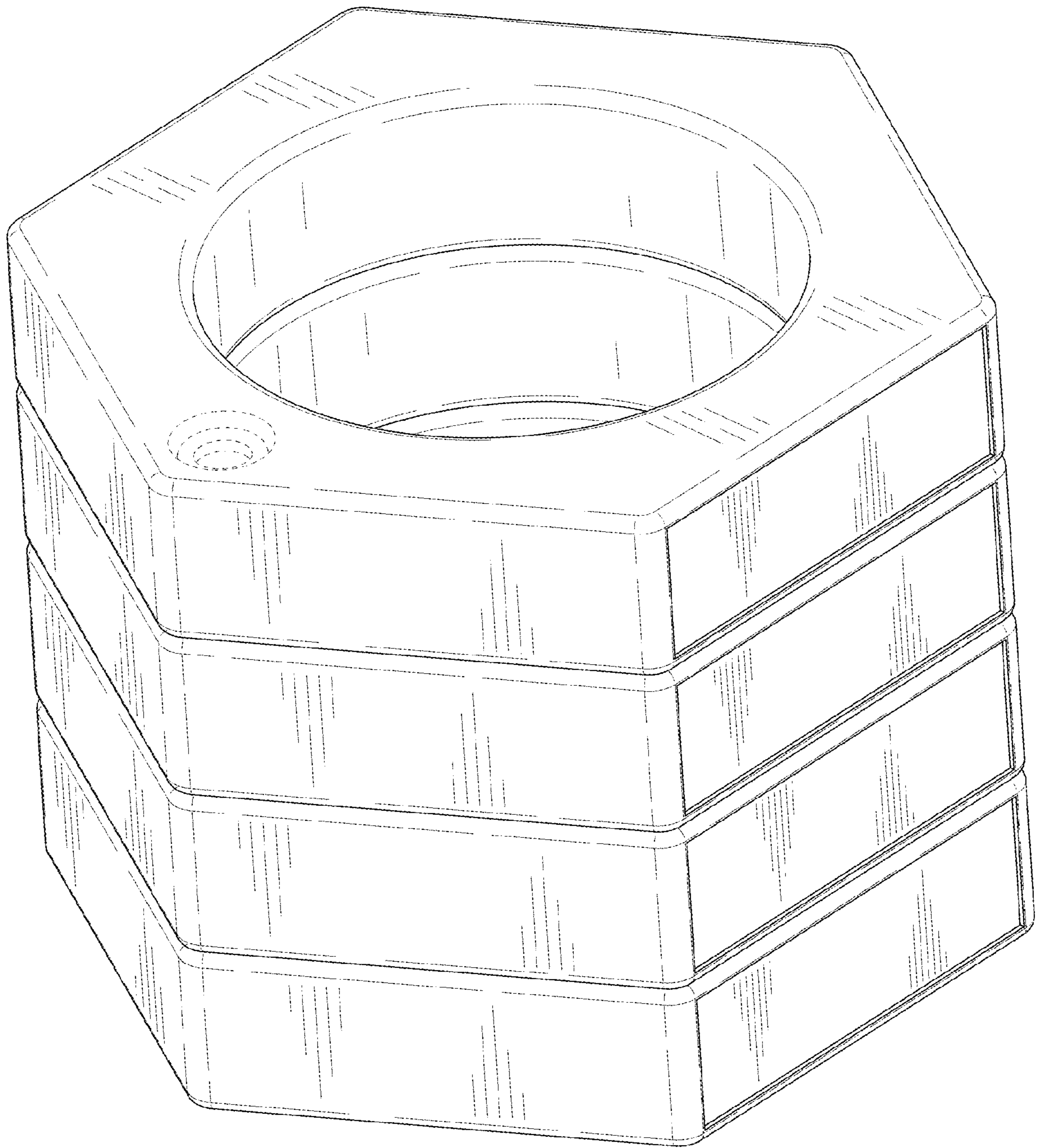


FIG. 1

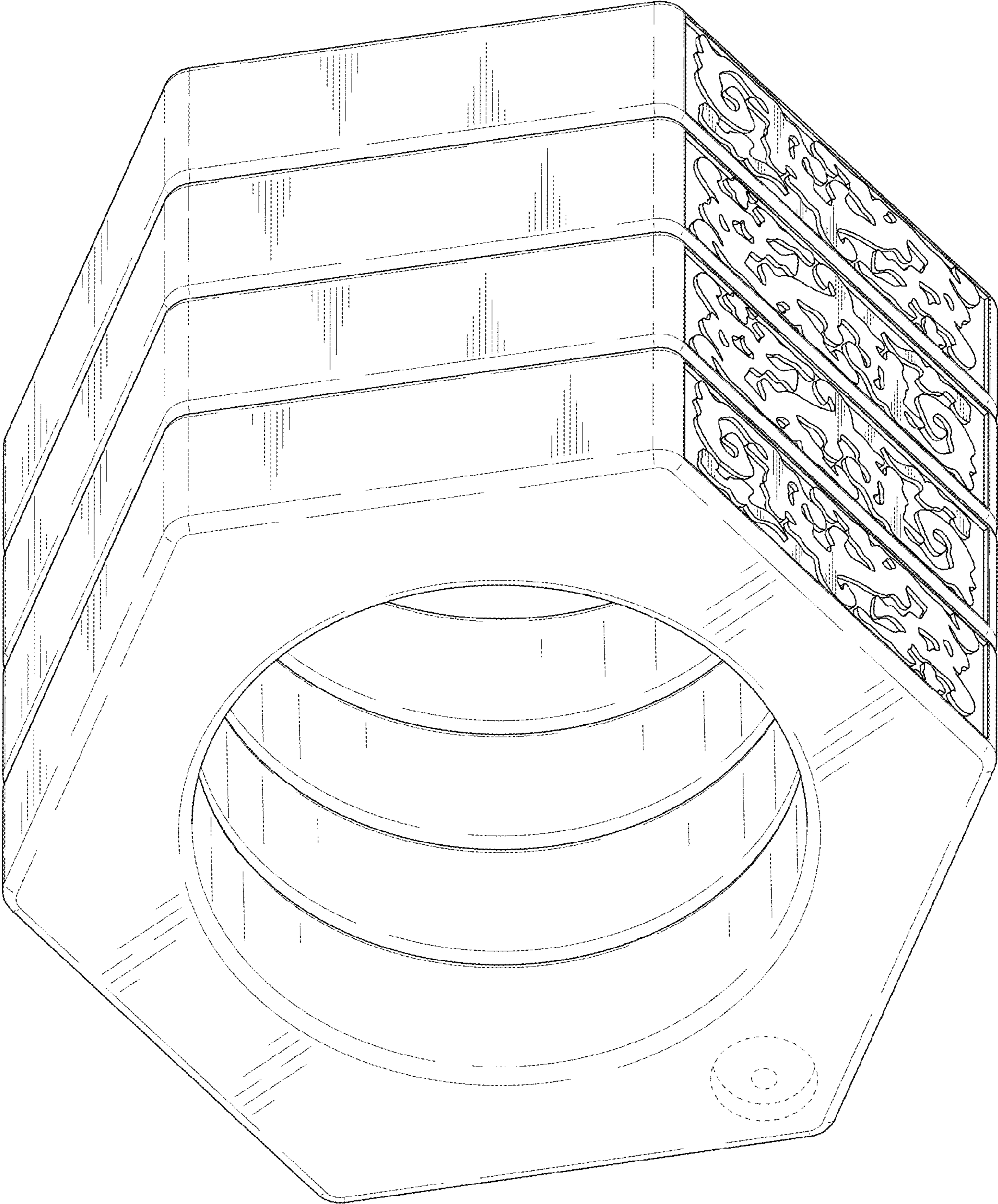


FIG. 2

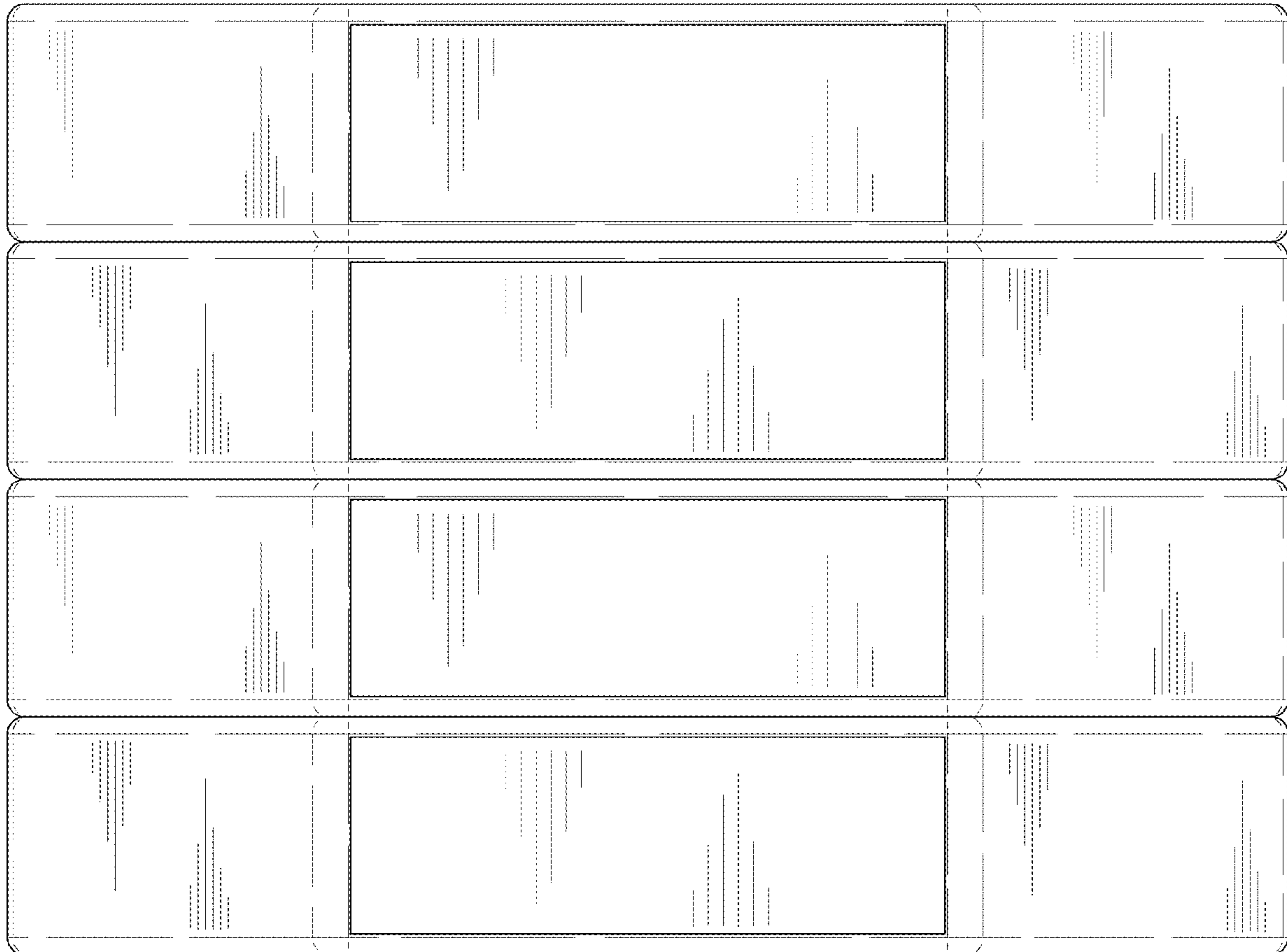


FIG. 3

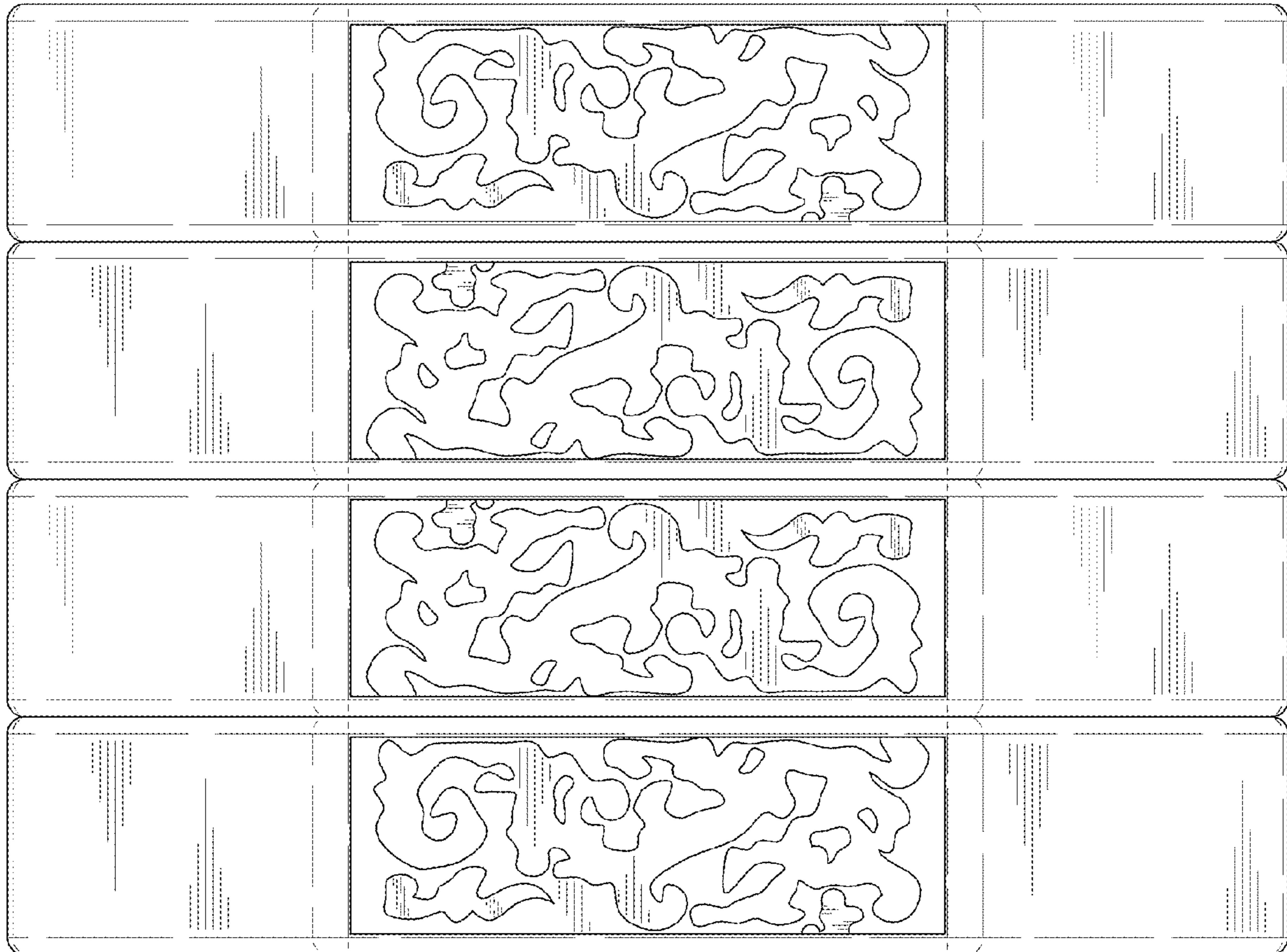


FIG. 4

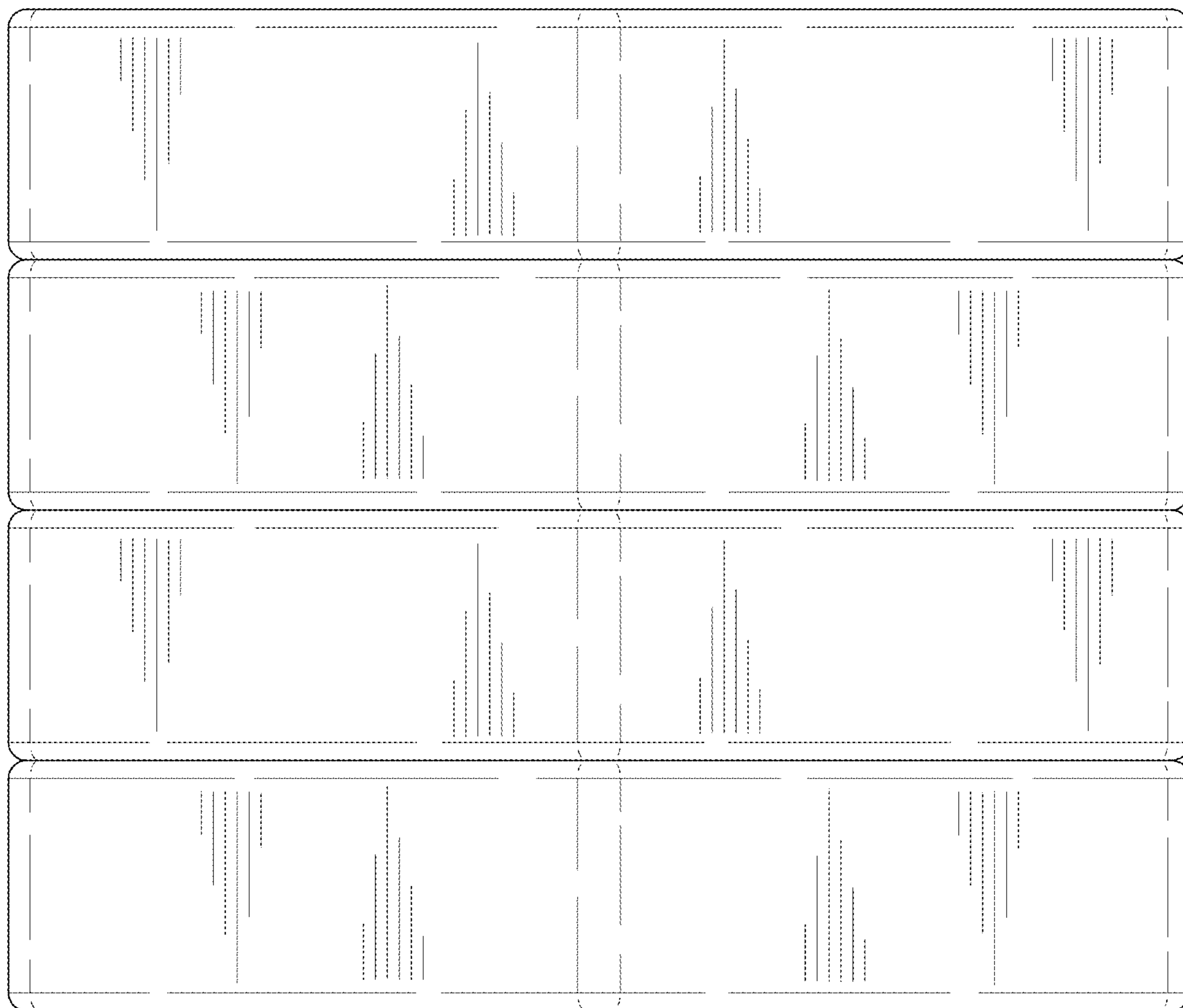


FIG. 5

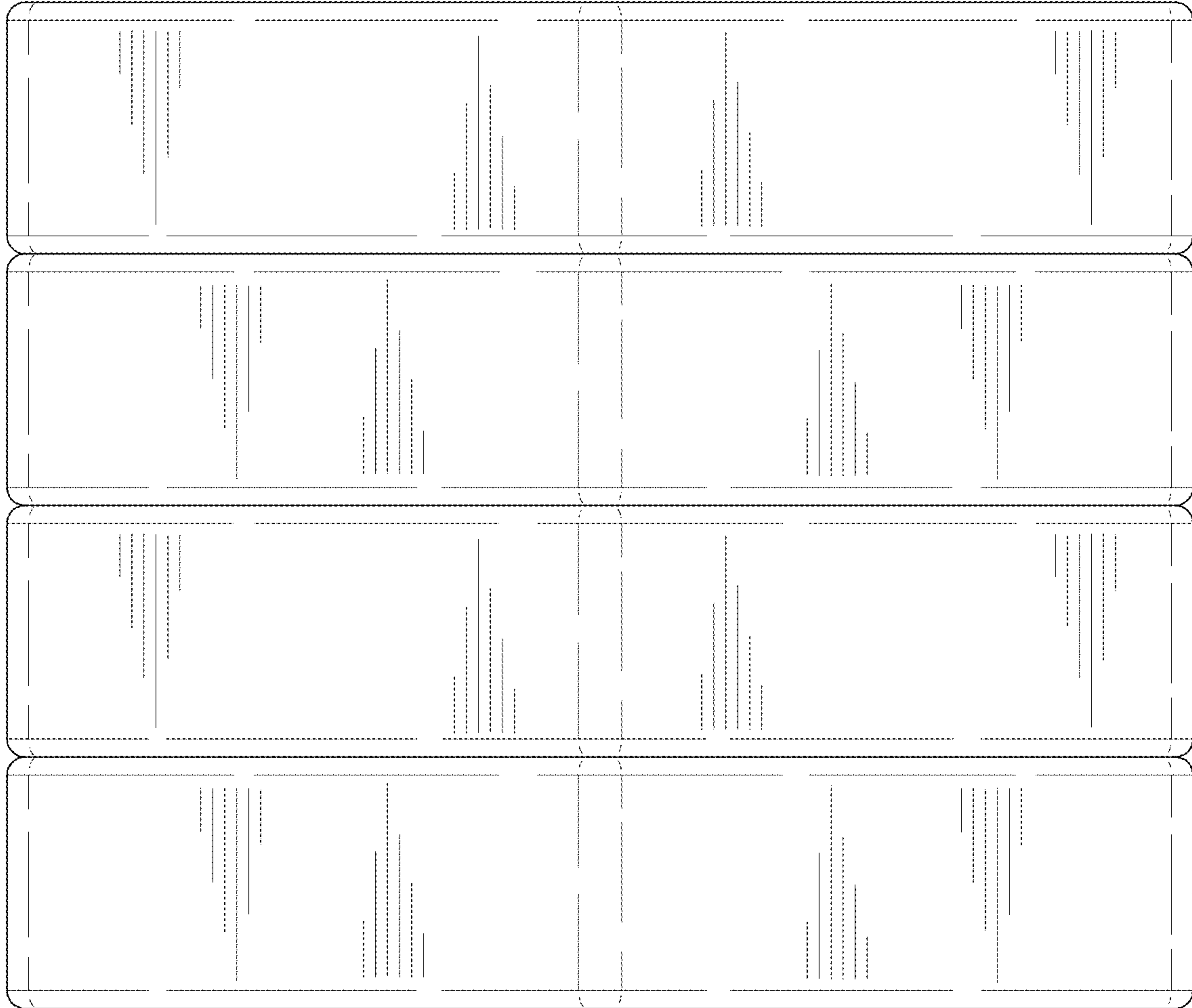


FIG. 6

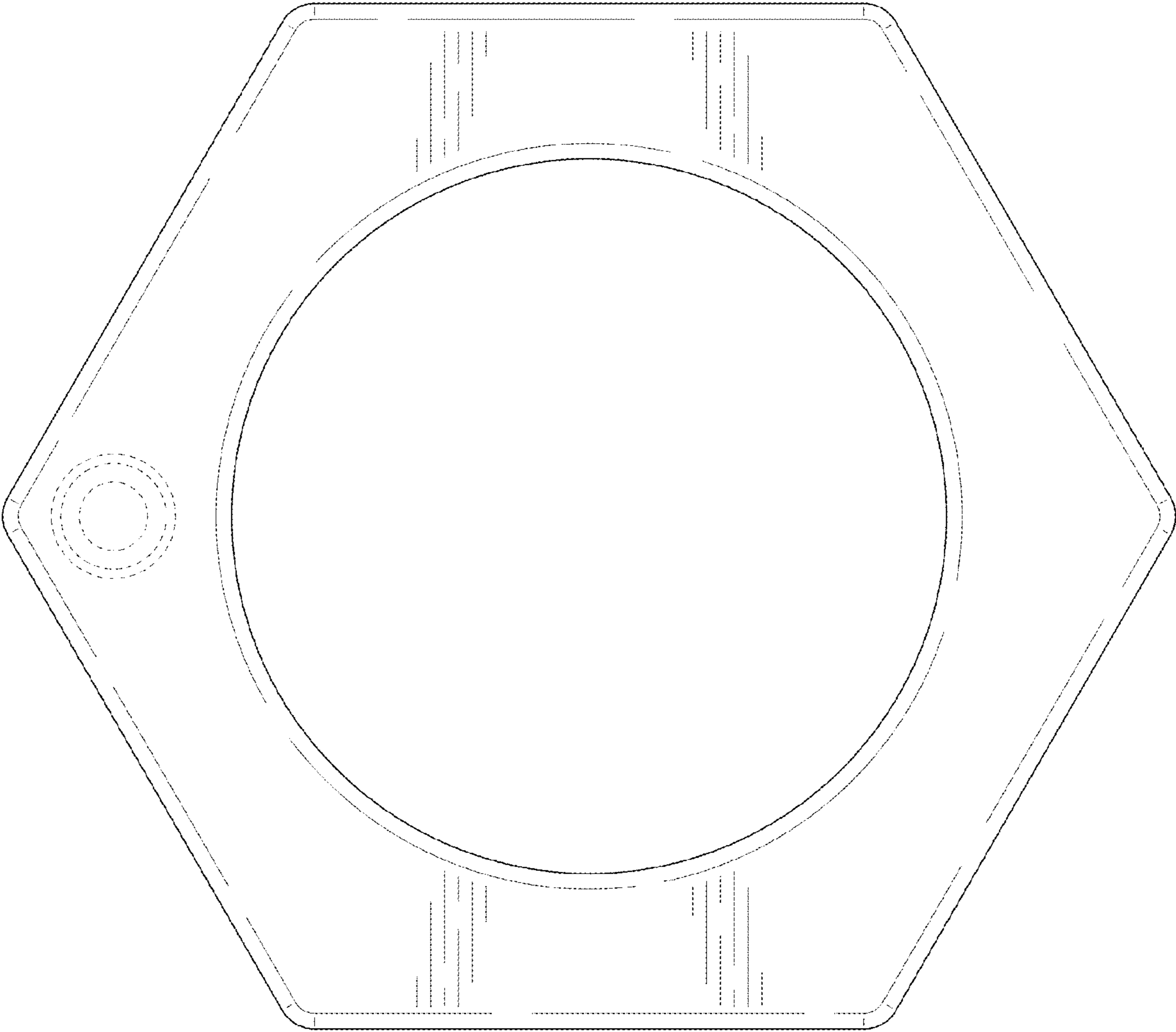


FIG. 7

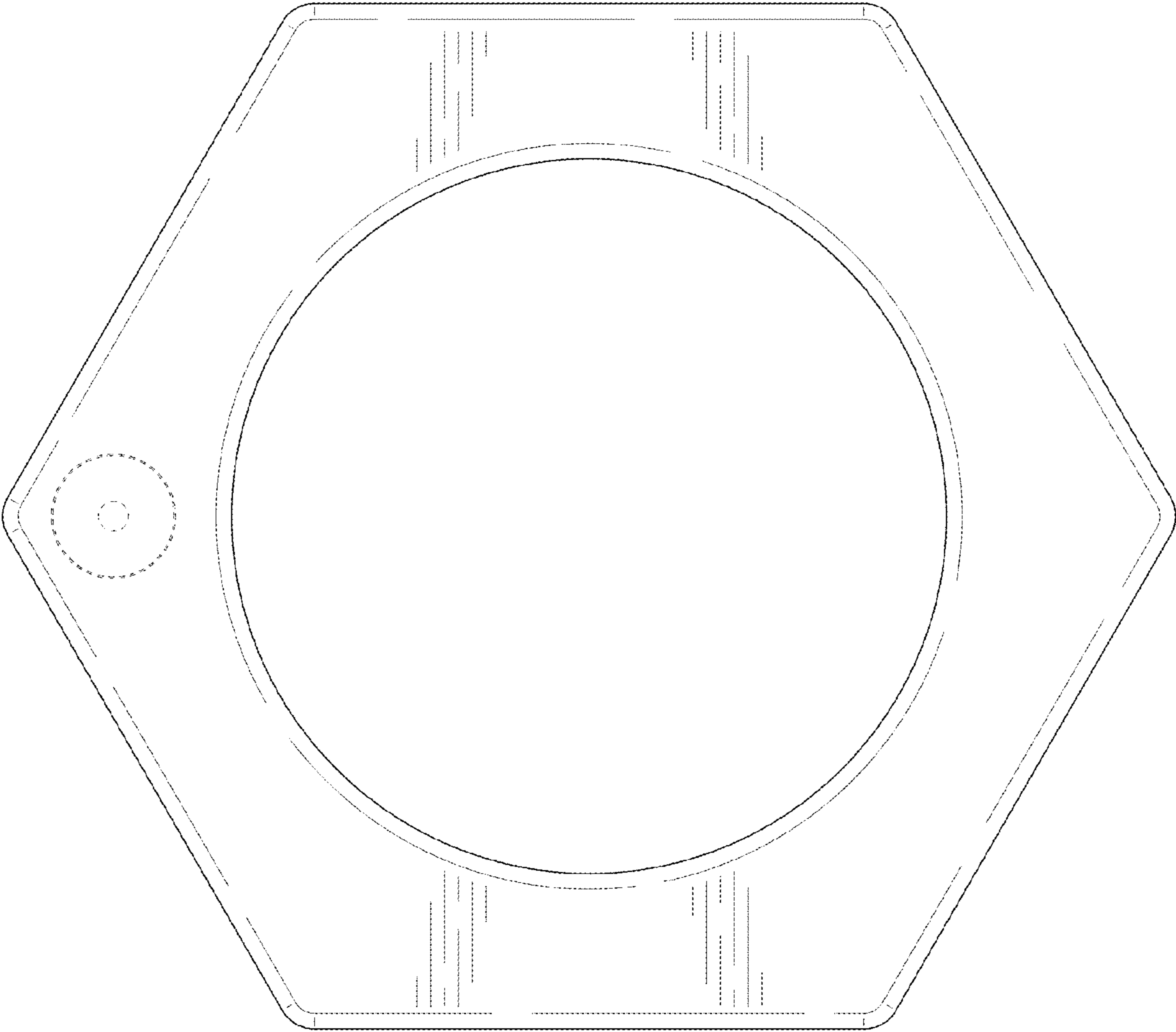


FIG. 8

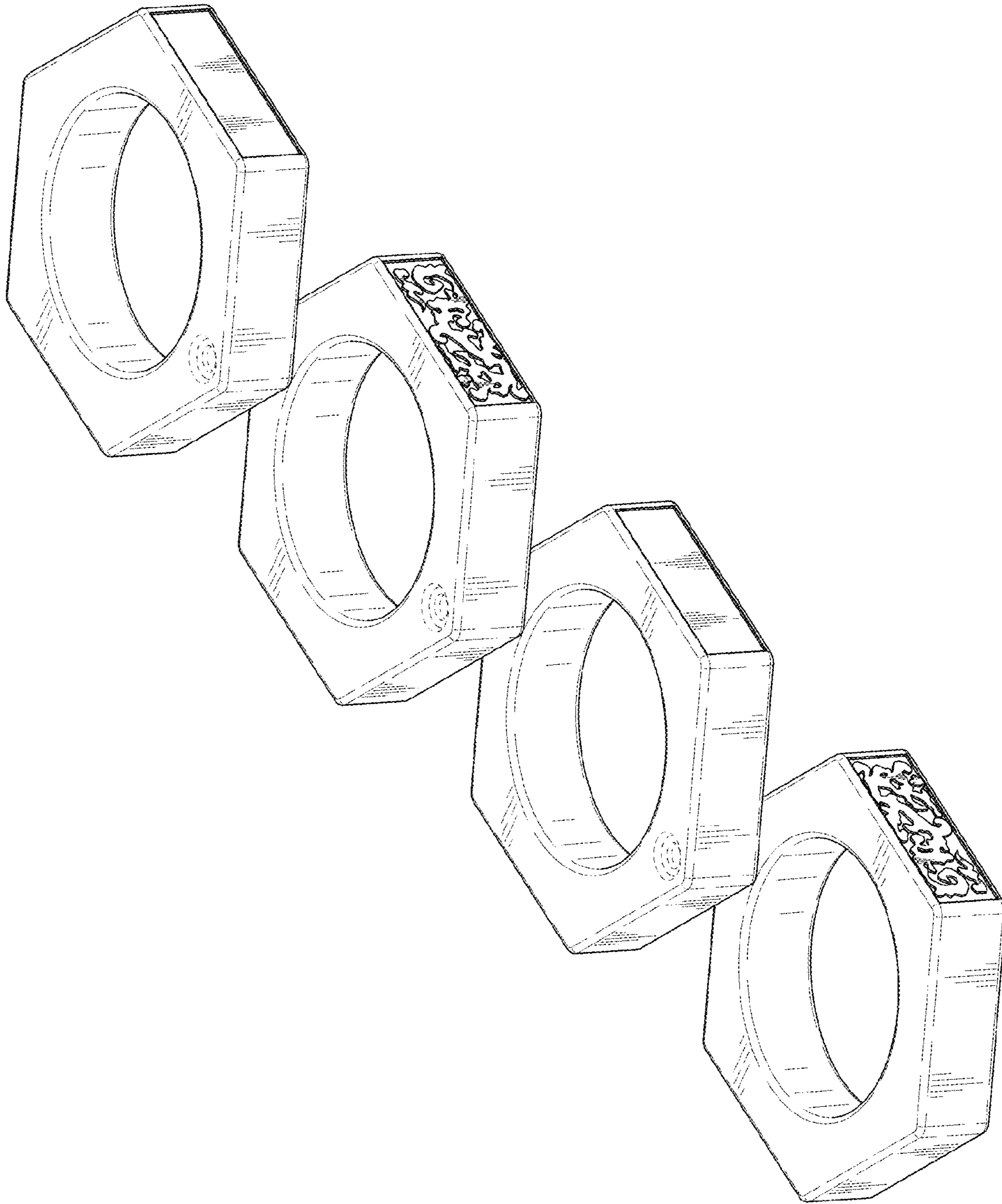


FIG. 9