



US00D955910S

(12) **United States Design Patent**
Deng

(10) **Patent No.:** **US D955,910 S**
(45) **Date of Patent:** **** Jun. 28, 2022**

(54) **PROTECTIVE CASE WITH WATCH STRAP**

D897,882 S 10/2020 Yi
D898,745 S * 10/2020 Ye D14/440
D903,508 S * 12/2020 Zhang D10/30
D909,225 S * 2/2021 Riot D14/344

(71) Applicant: **SHENZHEN WODEFENG TECHNOLOGY CO., LTD.**, Shenzhen (CN)

(Continued)

(72) Inventor: **Jianjie Deng**, Guilin (CN)

FOREIGN PATENT DOCUMENTS

(73) Assignee: **SHENZHEN WODEFENG TECHNOLOGY CO., LTD.**, Shenzhen (CN)

WO WO-2016038468 A1 * 3/2016 A45C 11/12

(**) Term: **15 Years**

OTHER PUBLICATIONS

(21) Appl. No.: **29/797,979**

Otterbox Exo Edge Case for Apple Watch | amazon.ca; date first available May 24, 2021 [online]. © 1996-2022, Amazon.com, Inc [retrieved Mar. 22, 2022] from Internet: <https://www.amazon.ca/OtterBox-Apple-Watch-Retail-Packaging/dp/B0948C6Y9K> (Year: 2021).*

(22) Filed: **Jul. 5, 2021**

(Continued)

(51) **LOC (13) Cl.** **10-07**

(52) **U.S. Cl.**
USPC **D10/132; D10/32; D11/3**

Primary Examiner — Katherine Glennon

(58) **Field of Classification Search**
USPC D10/30–32, 132; D11/3; D14/344, 440
CPC A44C 5/00; A44C 5/0053; A44C 5/14;
A44C 5/18; A44C 5/147; G04B 37/005;
G04B 37/0058

(57) **CLAIM**

The ornamental design for a protective case with watch strap, as shown and described.

See application file for complete search history.

DESCRIPTION

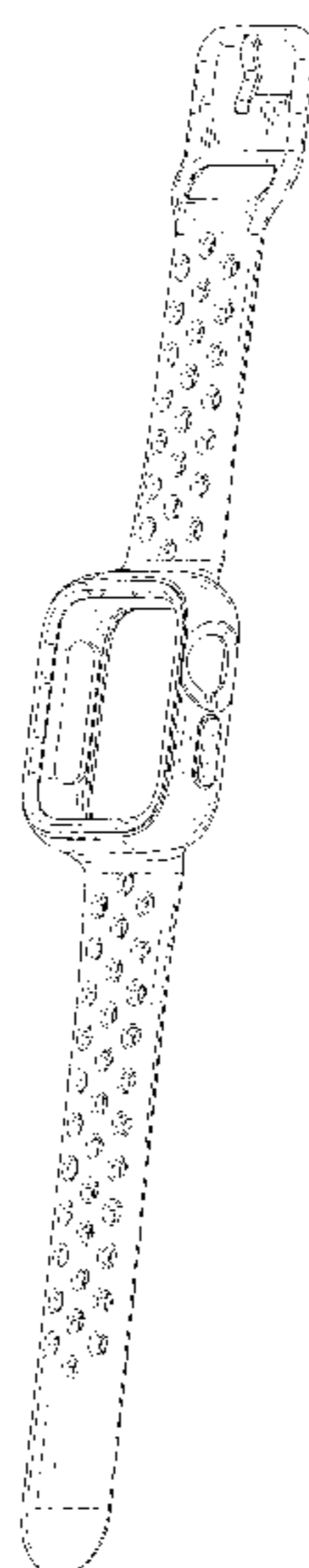
(56) **References Cited**

FIG. 1 is a perspective view of a protective case with watch strap showing my new design;
FIG. 2 is another perspective view thereof;
FIG. 3 is a front elevational view thereof;
FIG. 4 is a rear elevational view thereof;
FIG. 5 is a left side elevational view thereof;
FIG. 6 is a right side elevational view thereof;
FIG. 7 is a top plan view thereof;
FIG. 8 is a bottom plan view thereof;
FIG. 9 is a perspective view of the protective case with watch strap where the protective case with watch strap is in a configuration of use;
FIG. 10 is an enlarged view of FIG. 7; and,
FIG. 11 is an enlarged view of FIG. 8.

U.S. PATENT DOCUMENTS

D285,422 S * 9/1986 Grimes D11/4
D349,257 S * 8/1994 Polenberg D11/3
D729,681 S * 5/2015 Lee D14/344
D767,436 S * 9/2016 Goodner D11/3
D821,246 S * 6/2018 Akana D11/3
D836,477 S * 12/2018 Peng D11/3
D839,121 S * 1/2019 Liu D11/3
D840,860 S * 2/2019 Zhang D11/3
D848,893 S * 5/2019 Yu D11/3
D854,960 S * 7/2019 Yu D11/3
D857,542 S 8/2019 Sun
D889,304 S * 7/2020 Paschke D11/3
D894,179 S * 8/2020 Chung D14/344
D895,471 S * 9/2020 Zhang D11/3

1 Claim, 11 Drawing Sheets



(56)

References Cited

U.S. PATENT DOCUMENTS

D912,562 S * 3/2021 Zhou D14/440
D912,665 S * 3/2021 Zhang D14/344
D917,325 S * 4/2021 Li D11/3
D923,004 S * 6/2021 Gao D14/344
11,033,082 B1 * 6/2021 Riot A44C 5/147
D924,715 S * 7/2021 Wright D14/440
D926,614 S * 8/2021 Velazquez D11/3
D932,321 S * 10/2021 Jung D14/440
2013/0001263 A1 * 1/2013 Kai A45F 5/00
224/241
2013/0152276 A1 * 6/2013 Hsieh G04G 17/08
2/243.1
2020/0205530 A1 * 7/2020 Hinds A44C 5/0053
2020/0363773 A1 * 11/2020 Wang G04B 37/22

OTHER PUBLICATIONS

Lerobo 3 Pack Compatible for Apple Watch Band | amazon.com; date first available Feb. 21, 2021 [online]. © 1996-2022, Amazon.com, Inc [retrieved Mar. 22, 2022] from Internet: <https://www.amazon.com/Lerobo-Compatible-Silicone-Breathable-Replacement/dp/B08X3J5KVN?ref_ast_sto_dp&th=1> (Year: 2021).*

3 in 1 Apple Watch Band with Case | amazon.com; date first available Jun. 8, 2021 [online]. © 1996-2022, Amazon.com, Inc [retrieved Mar. 22, 2022] from Internet: <<https://www.amazon.com/Built-Protector-SmartWatch-Silicone-Tempered/dp/B096VT4QB4?th=1>>(Year: 2021).*

* cited by examiner

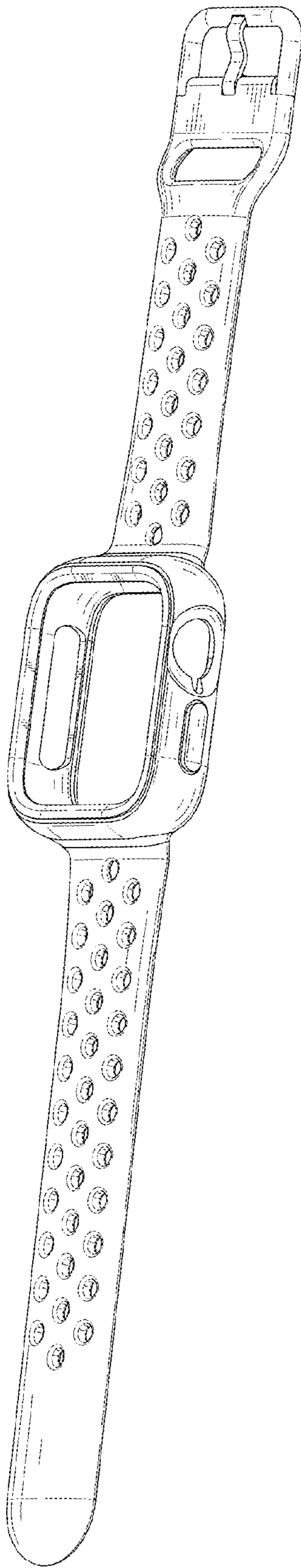


FIG. 1

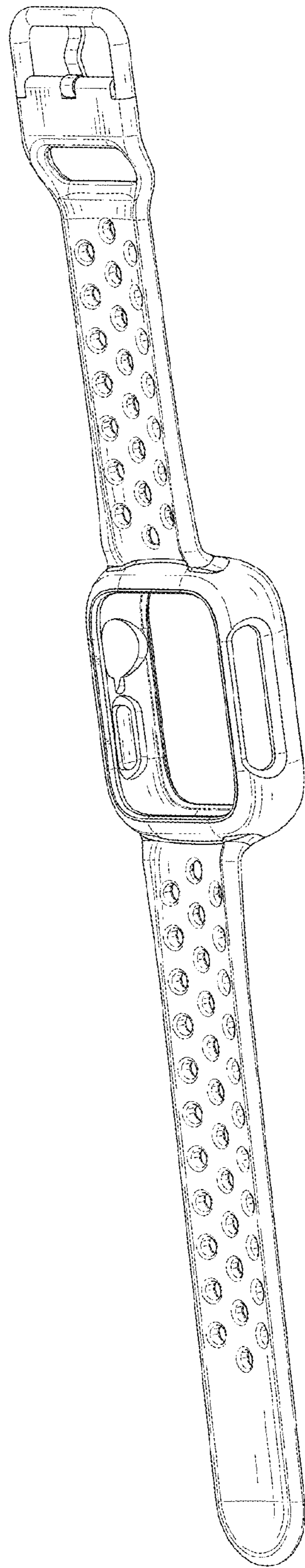


FIG. 2

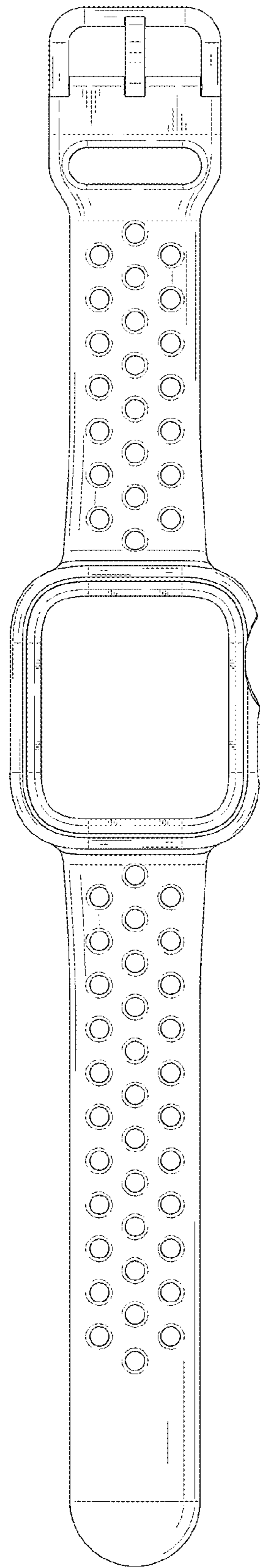


FIG. 3

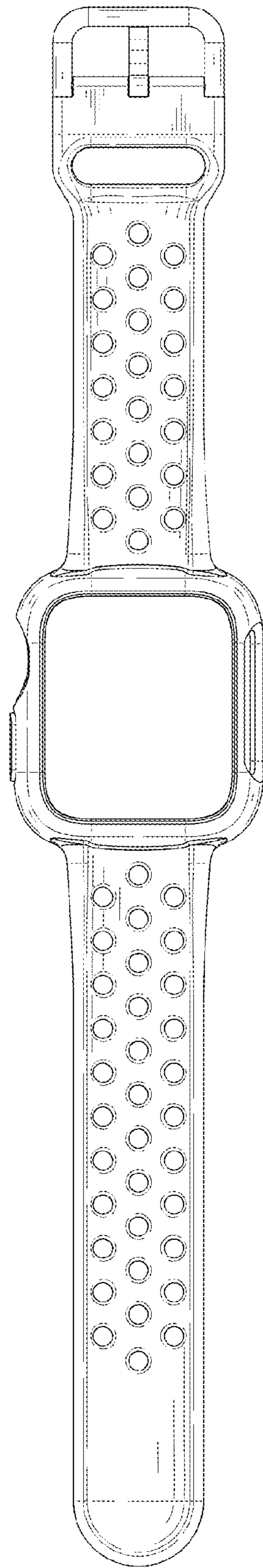


FIG. 4

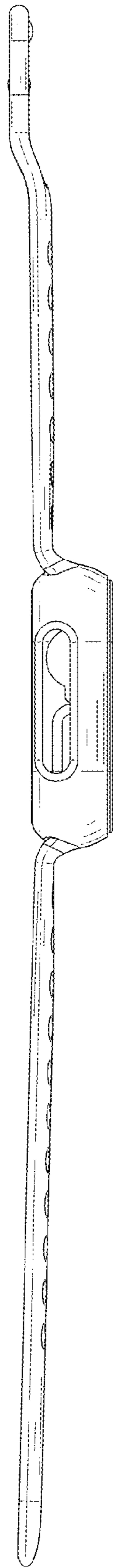


FIG. 5

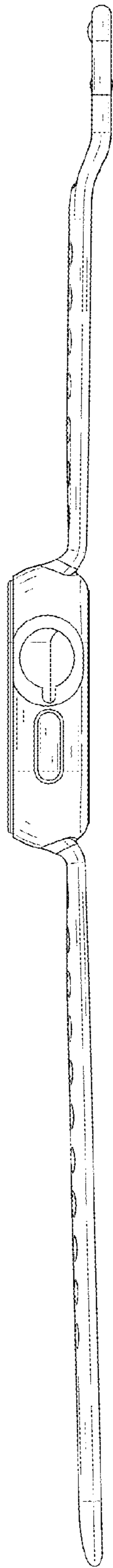


FIG. 6

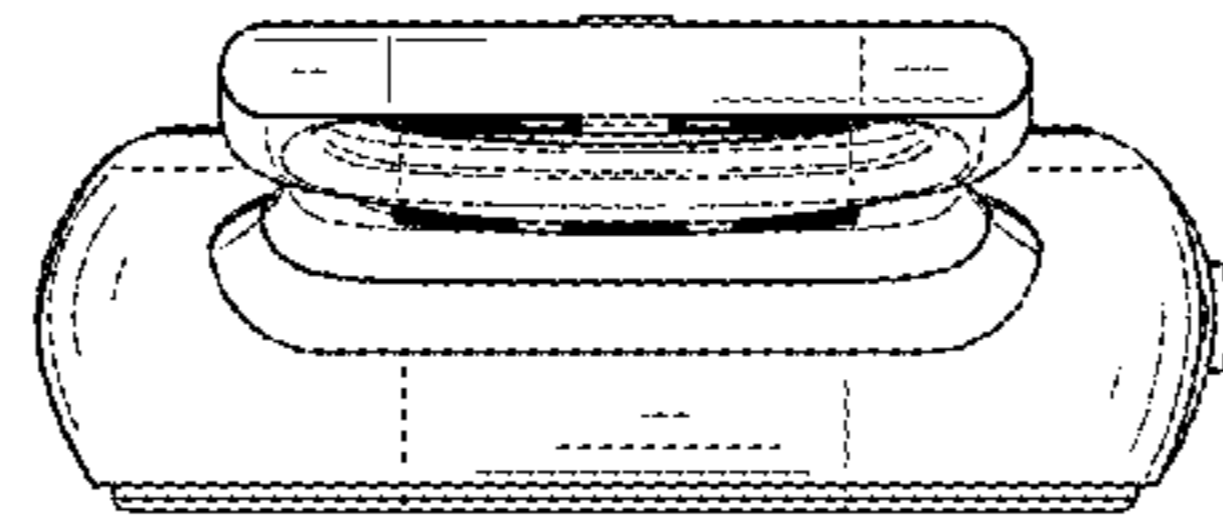


FIG. 7

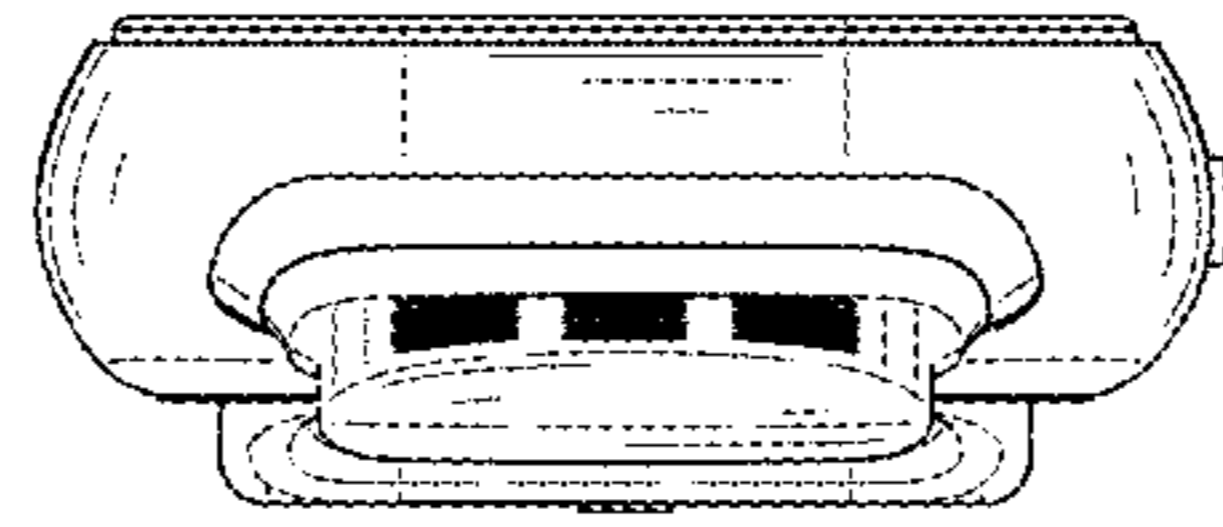


FIG. 8

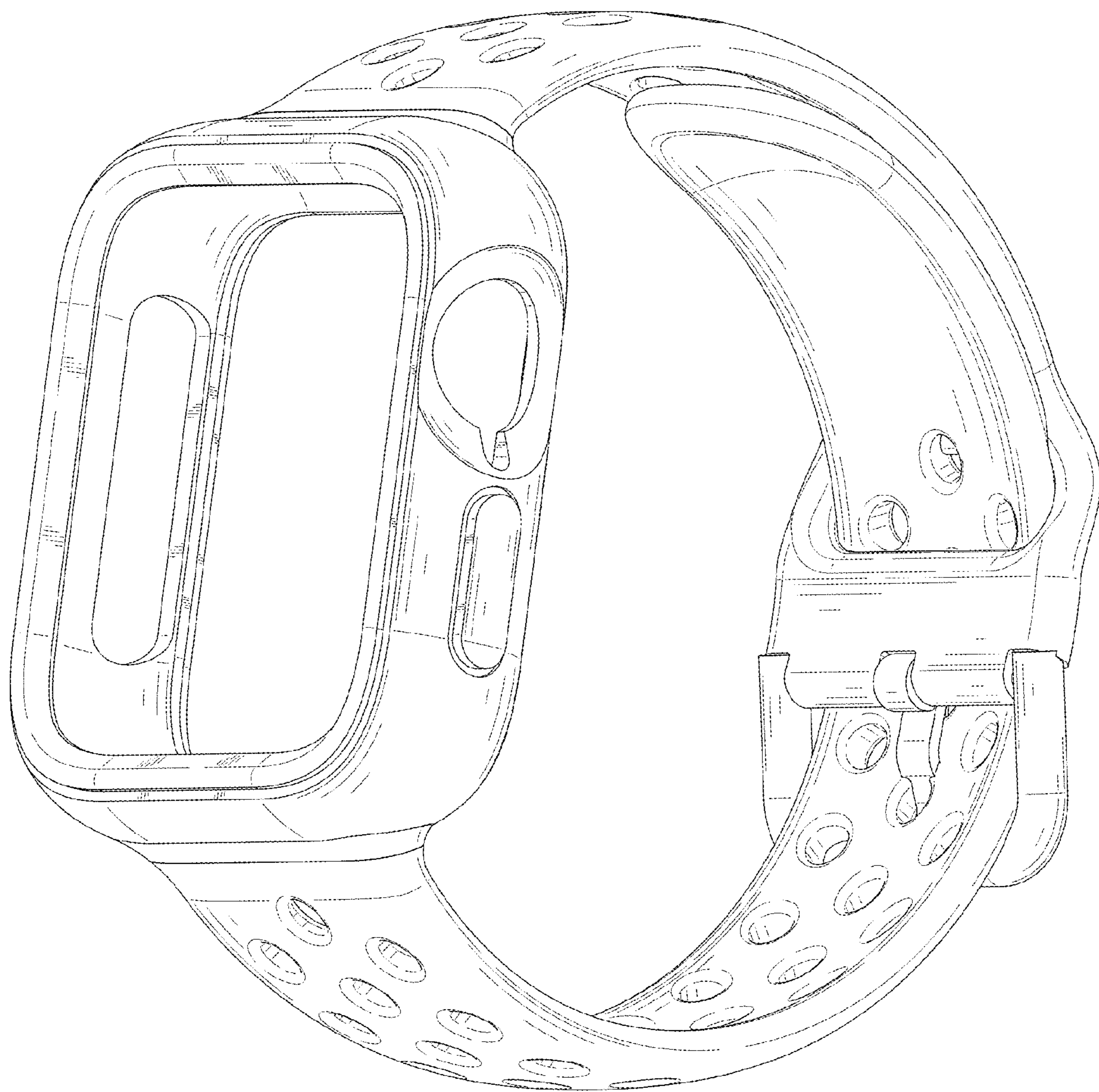


FIG. 9

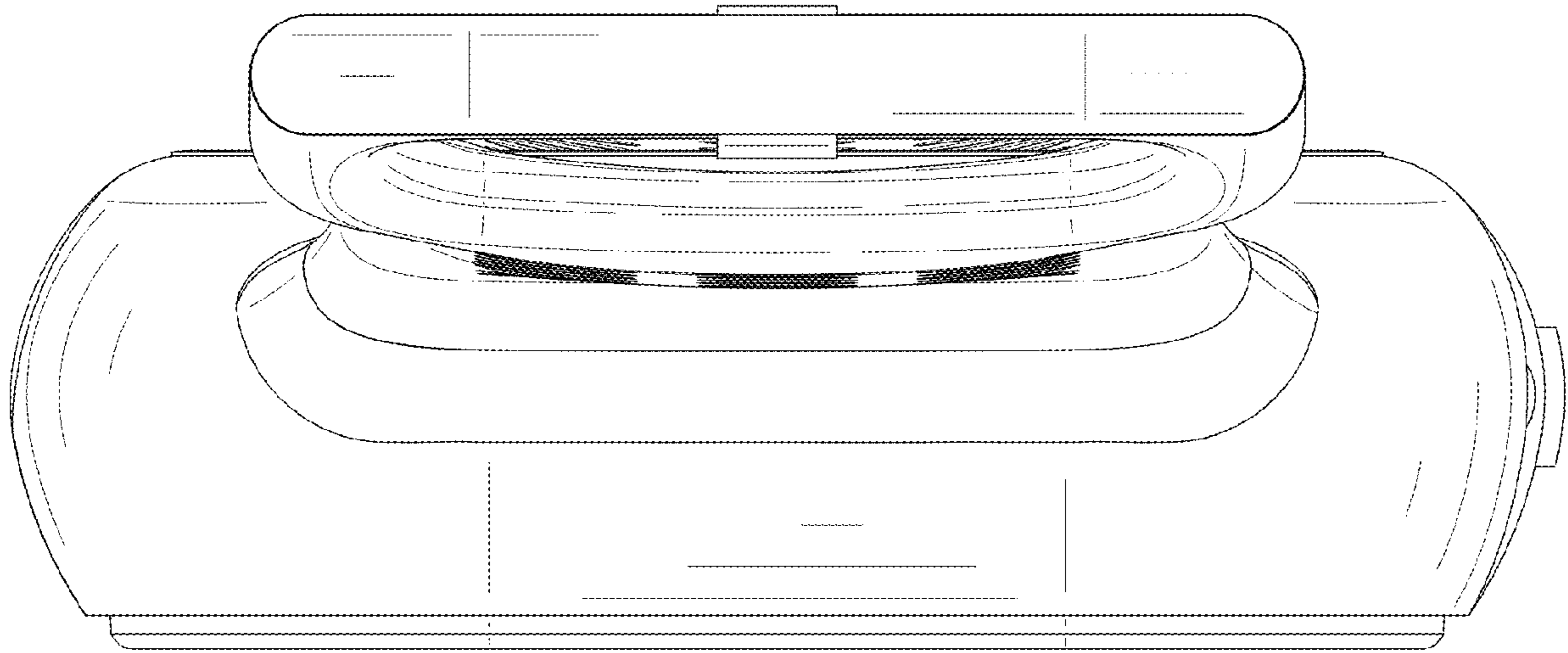


FIG. 10

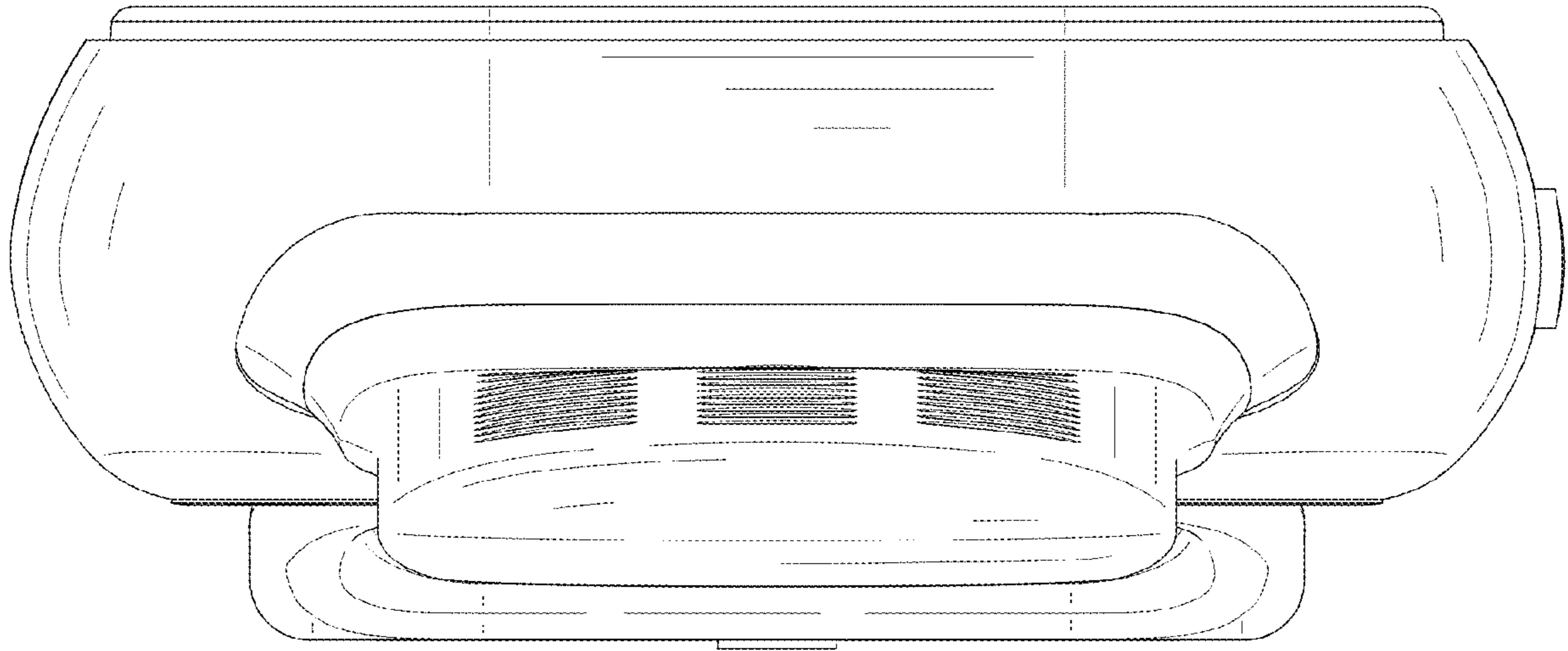


FIG. 11