



US00D955907S

(12) **United States Design Patent**
Abellera et al.

(10) **Patent No.:** **US D955,907 S**
(45) **Date of Patent:** **** Jun. 28, 2022**

(54) **WRISTBAND CONTAINING A WIRELESS ELECTRONIC FOB FOR A MARINE VESSEL**

(71) Applicant: **Brunswick Corporation**, Mettawa, IL (US)

(72) Inventors: **Ryan C. Abellera**, Fond du Lac, WI (US); **Todd D. Dannenberg**, Fond du Lac, WI (US)

(73) Assignee: **Brunswick Corporation**, Mettawa, IL (US)

(**) Term: **15 Years**

(21) Appl. No.: **29/815,920**

(22) Filed: **Nov. 17, 2021**

Related U.S. Application Data

(62) Division of application No. 29/707,845, filed on Oct. 1, 2019, now Pat. No. Des. 943,437.

(51) **LOC (13) Cl.** **10-05**

(52) **U.S. Cl.**
USPC **D10/75; D12/174; D10/104.1**

(58) **Field of Classification Search**

USPC D14/356, 357, 358, 388, 218, 454, 299, D14/496, 400, 401, 203.1, 203.3, 203.6, D14/432, 420, 421, 453, 344, 137, 138 R, D14/155, 168, 383; D10/30, 31, 38, 46, D10/65, 70, 74, 75, 80, 104.1, 104.2, D10/106.6, 114.1, 114.2, 114.3, 114.9, D10/121; D24/165, 167, 168, 186; D13/123, 158, 168, 173, 174, 177; D3/215, 218; D12/317, 174, 177
CPC B63H 2025/028; B60R 25/045; B60R 25/1003; G08B 13/126; G08B 13/19608; G08B 13/2462; G08B 21/0275; G06K 7/10099; H01Q 1/22; H04W 4/027; H04M 1/72412; G06F 16/9535; G09F 3/06; G09F 21/02

See application file for complete search history.

(56) **References Cited**

U.S. PATENT DOCUMENTS

D362,070 S 9/1995 Willis
D377,618 S 1/1997 Yarbrough
D391,499 S 3/1998 Houlihan et al.
D439,981 S 4/2001 Kasabach et al.
(Continued)

OTHER PUBLICATIONS

Man overboard safety options expand—panbo. (online) 7 pgs. Updated Sep. 5, 2019. [Retrieved Mar. 23, 2022] <https://panbo.com/man-overboard-safety-options-expand/>.*

(Continued)

Primary Examiner — Marie D. Fast Horse
(74) *Attorney, Agent, or Firm* — Andrus Intellectual Property Law, LLP

(57) **CLAIM**

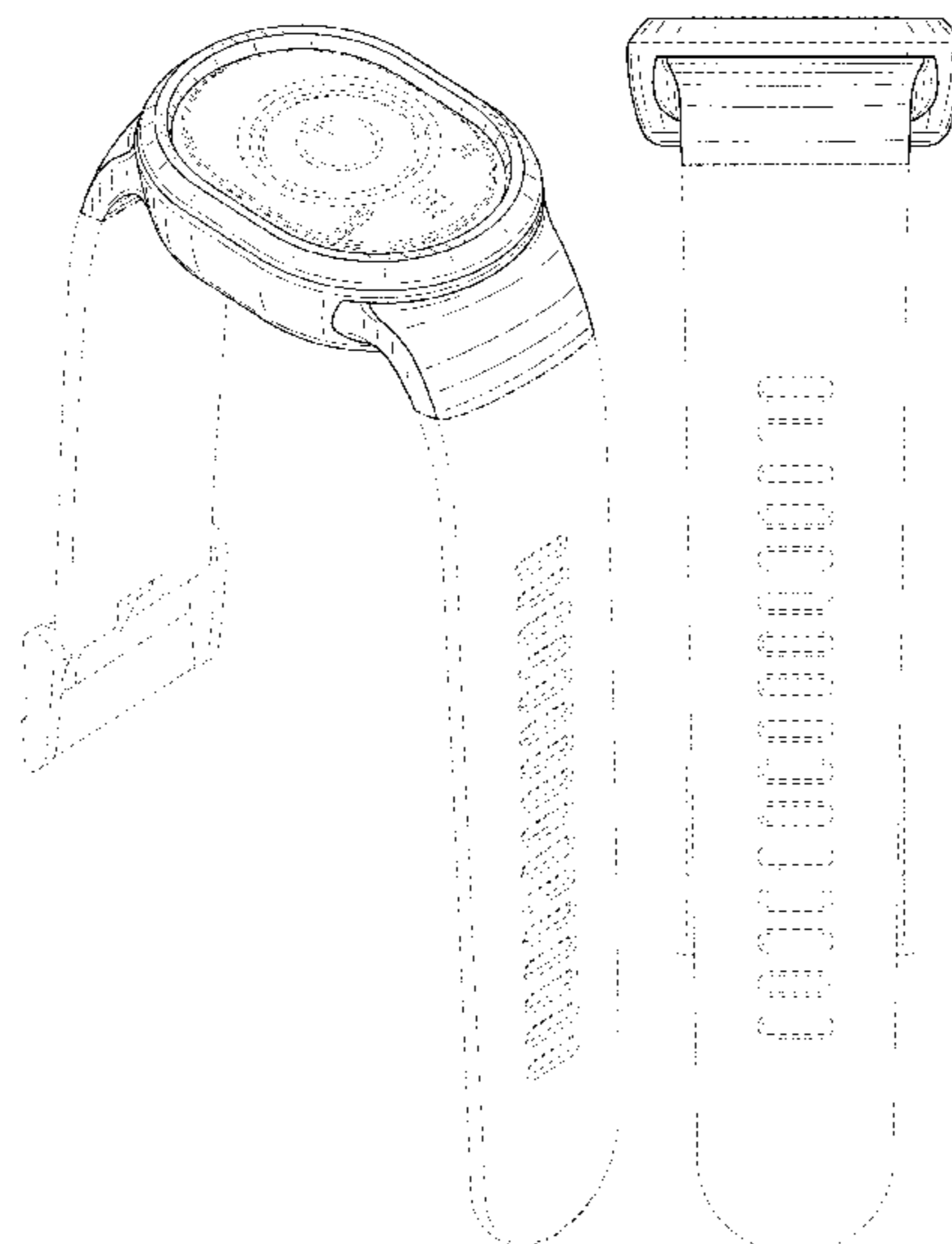
The ornamental design for a wristband containing a wireless electronic fob for a marine vessel, as shown and described.

DESCRIPTION

FIG. 1 is a perspective view of a wristband containing a wireless electronic fob for a marine vessel.
FIG. 2 is a top view thereof.
FIG. 3 is a bottom view thereof.
FIG. 4 is a side view thereof.
FIG. 5 is an opposite side view thereof.
FIG. 6 is an end view thereof; and,
FIG. 7 is an opposite end view thereof.

The dot-dash broken lines define the boundary of the claim, which extends to the boundary but does not include the boundary, while all other broken lines depict portions of the wristband containing the wireless electronic fob for a marine vessel that form no part of the claimed design.

1 Claim, 5 Drawing Sheets



(56)

References Cited

U.S. PATENT DOCUMENTS

D468,706 S 1/2003 Schelbach
 D492,783 S 7/2004 Lax
 D508,738 S 8/2005 Lodato et al.
 6,928,317 B2 8/2005 Chen
 D517,433 S 3/2006 Jorst et al.
 D528,439 S * 9/2006 Burton D10/38
 D534,821 S 1/2007 Chen
 D536,265 S 2/2007 Reynoso
 D545,220 S 6/2007 Leung
 D548,728 S 8/2007 Yoshiyama
 D550,105 S * 9/2007 Oberrieder D10/65
 D551,576 S 9/2007 Field et al.
 D556,198 S 11/2007 Blankenship et al.
 D561,703 S 2/2008 Shimokawa et al.
 D564,366 S 3/2008 Yeh et al.
 D573,547 S 7/2008 Stevens et al.
 D578,497 S 10/2008 Weinzierl et al.
 D581,826 S 12/2008 Molyneux
 D594,851 S 6/2009 Dai
 D638,394 S 5/2011 Richards et al.
 D643,757 S 8/2011 Chang
 D650,715 S 12/2011 Hill et al.
 D661,206 S 6/2012 Register et al.
 D667,126 S 9/2012 Cho et al.
 D667,382 S 9/2012 Cosentino et al.
 D671,505 S 11/2012 Clark et al.
 D672,667 S 12/2012 Mix
 D673,464 S 1/2013 Perko et al.
 8,465,333 B2 6/2013 Sells
 D692,784 S 11/2013 Anderssen et al.
 D693,248 S 11/2013 Anderssen et al.
 D693,249 S 11/2013 Anderssen et al.
 D693,250 S 11/2013 Anderssen et al.
 D693,251 S 11/2013 Anderssen et al.
 D701,841 S 4/2014 Huang
 D704,931 S 5/2014 Abellera et al.
 D708,974 S 7/2014 Dauwalter, III
 D710,228 S 8/2014 Burke
 D710,230 S 8/2014 Burke
 D715,674 S * 10/2014 Squires D10/32
 D717,678 S * 11/2014 Anderssen D10/70
 D717,679 S * 11/2014 Anderssen D10/70
 D719,123 S 12/2014 Park et al.
 D720,245 S 12/2014 Neigher et al.
 D721,978 S 2/2015 Tovar
 D730,198 S 5/2015 Perko et al.
 D731,898 S 6/2015 Squires
 D734,330 S 7/2015 Huang et al.
 D734,331 S 7/2015 Wu et al.
 D738,355 S 9/2015 Smith et al.
 D738,971 S 9/2015 Riddiford et al.
 D742,875 S 11/2015 Ji et al.
 D744,110 S 11/2015 Kubo et al.
 D747,494 S 1/2016 Tamsiran
 D750,886 S 3/2016 Webb et al.
 D752,340 S 3/2016 Webb et al.
 D756,332 S 5/2016 Wai
 D758,996 S 6/2016 Wai
 D762,453 S 8/2016 Webb et al.
 D762,507 S 8/2016 Pipkin
 D764,461 S 8/2016 Romanoff et al.
 D764,462 S 8/2016 Romanoff et al.

D764,463 S 8/2016 Dwivedula et al.
 D765,656 S 9/2016 Forakis
 D782,342 S 3/2017 Dwivedula et al.
 D783,021 S 4/2017 Peel et al.
 D783,614 S 4/2017 Hao et al.
 D784,982 S 4/2017 Alberola et al.
 D789,363 S 6/2017 Jentz et al.
 9,690,295 B1 6/2017 Abellera et al.
 D796,356 S 9/2017 Bayley et al.
 9,751,607 B1 9/2017 Kollmann et al.
 D798,866 S 10/2017 Abellera et al.
 D805,929 S * 12/2017 Akana D10/70
 D807,351 S 1/2018 Bang et al.
 D809,947 S 2/2018 Farin
 D831,642 S 10/2018 Seo et al.
 D831,652 S 10/2018 Abellera et al.
 D836,102 S * 12/2018 Akana D14/344
 D836,472 S 12/2018 Zhiyuan
 D840,041 S * 2/2019 Li D14/344
 D843,234 S 3/2019 Naslund et al.
 D857,261 S 8/2019 Xie
 D867,909 S 11/2019 Kachar
 D870,582 S 12/2019 Bloom et al.
 D877,638 S 3/2020 Vardi
 D881,162 S 4/2020 Zhu
 D881,874 S 4/2020 Sobol et al.
 D883,976 S * 5/2020 Akana D14/344
 D889,288 S 7/2020 Lange et al.
 D889,449 S 7/2020 Abellera et al.
 D890,751 S 7/2020 Kujala et al.
 D895,465 S 9/2020 Loew et al.
 D900,811 S 11/2020 Sobol et al.
 D903,663 S 12/2020 Jones et al.
 D908,124 S 1/2021 Abellera et al.
 D912,005 S 3/2021 Zhang et al.
 D914,616 S 3/2021 Gao
 D918,072 S 5/2021 Umair et al.
 D918,137 S 5/2021 Painter et al.
 D918,696 S 5/2021 Painter et al.
 D921,506 S 6/2021 Peich et al.
 D930,645 S 9/2021 Piercey et al.
 D931,835 S 9/2021 Salem
 D931,853 S 9/2021 Xu et al.
 D934,092 S 10/2021 Luebeck et al.
 D934,430 S 10/2021 Jariwala et al.
 D935,113 S * 11/2021 Bocknek D30/152
 D938,416 S * 12/2021 King D14/344
 D943,437 S * 2/2022 Abellera D10/75
 2002/0171559 A1 11/2002 Yang
 2011/0124383 A1 5/2011 Garra et al.
 2016/0021771 A1 1/2016 Zhang et al.
 2016/0063777 A1 3/2016 Wolley
 2016/0304033 A1 10/2016 Wang
 2020/0398155 A1 12/2020 Niwa et al.

OTHER PUBLICATIONS

Olas Wearable Mob Crew Tag. (online) 6 pgs. available Jun. 21, 2019, retrieved Aug. 19, 2021 from <https://amazon.com/OLAS-overboard-Location-Alert-System/dp/B07TBPk8DY>.
 1st Mail Kit—Mercury, (online PDF downloadable on: <https://www.1stmate.com/content/firstMate/us/en/products/mercury-engine.html>) 9 pgs. Retrieved Aug. 19, 2021.

* cited by examiner

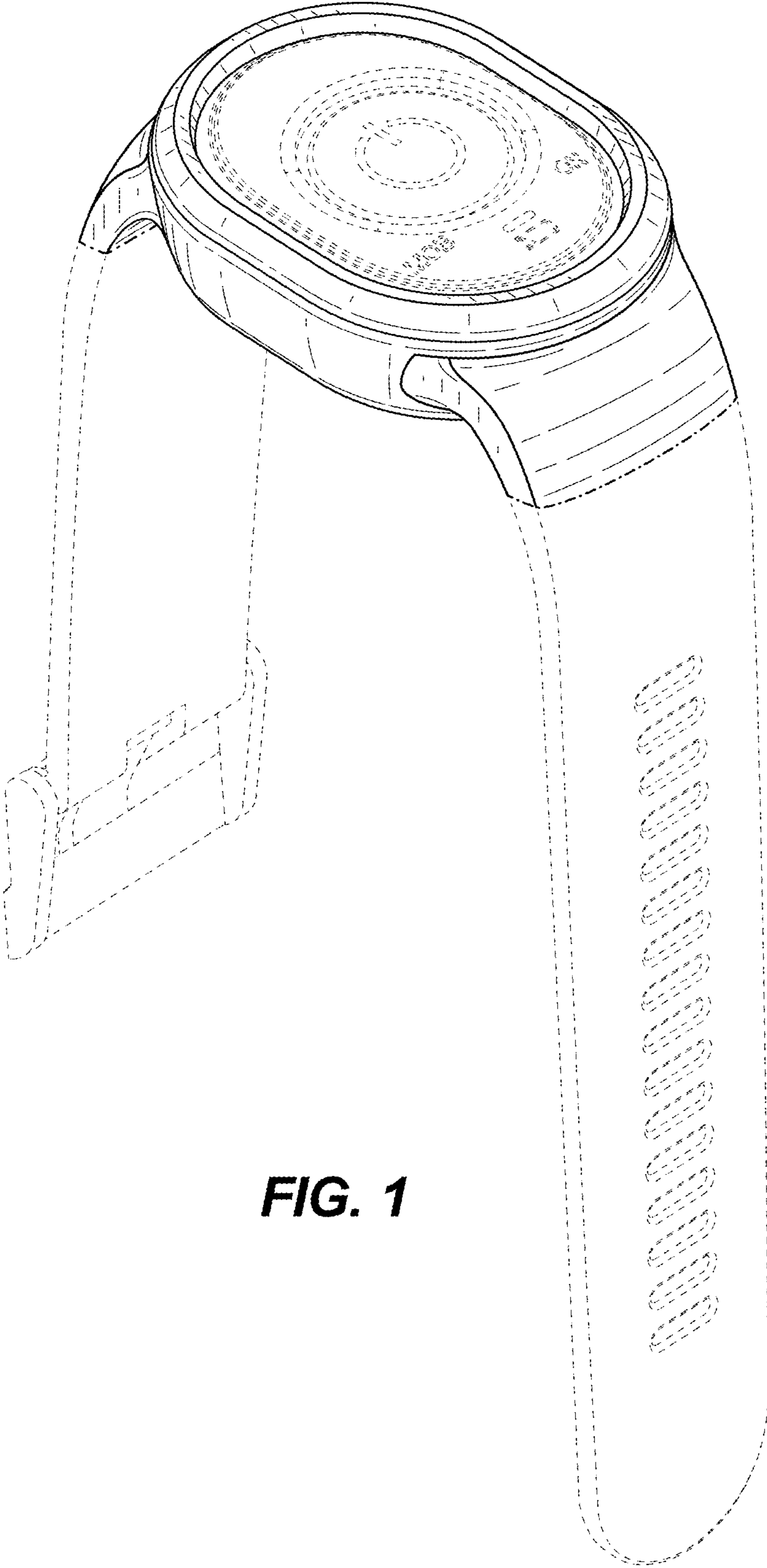


FIG. 1

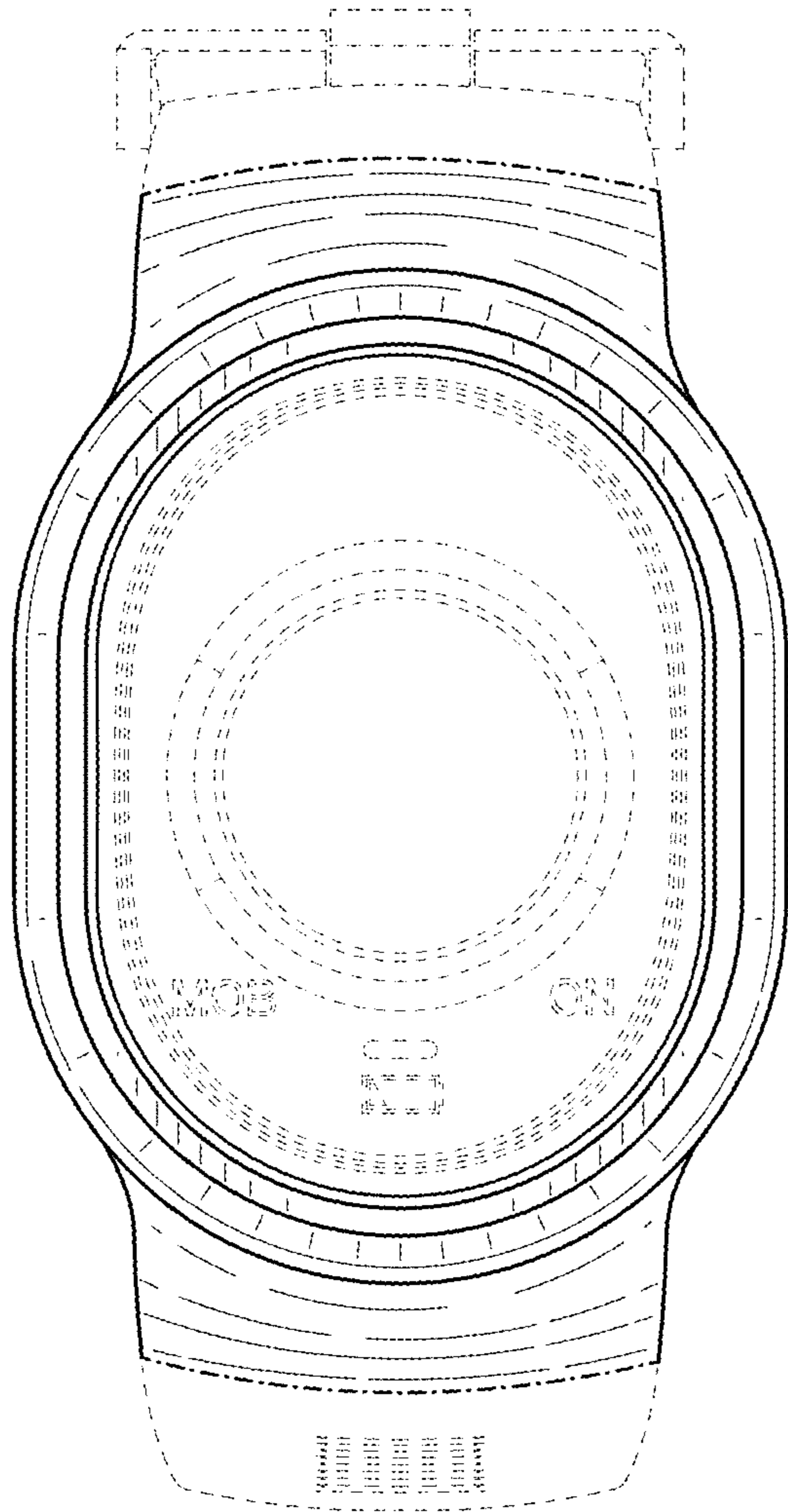


FIG. 2

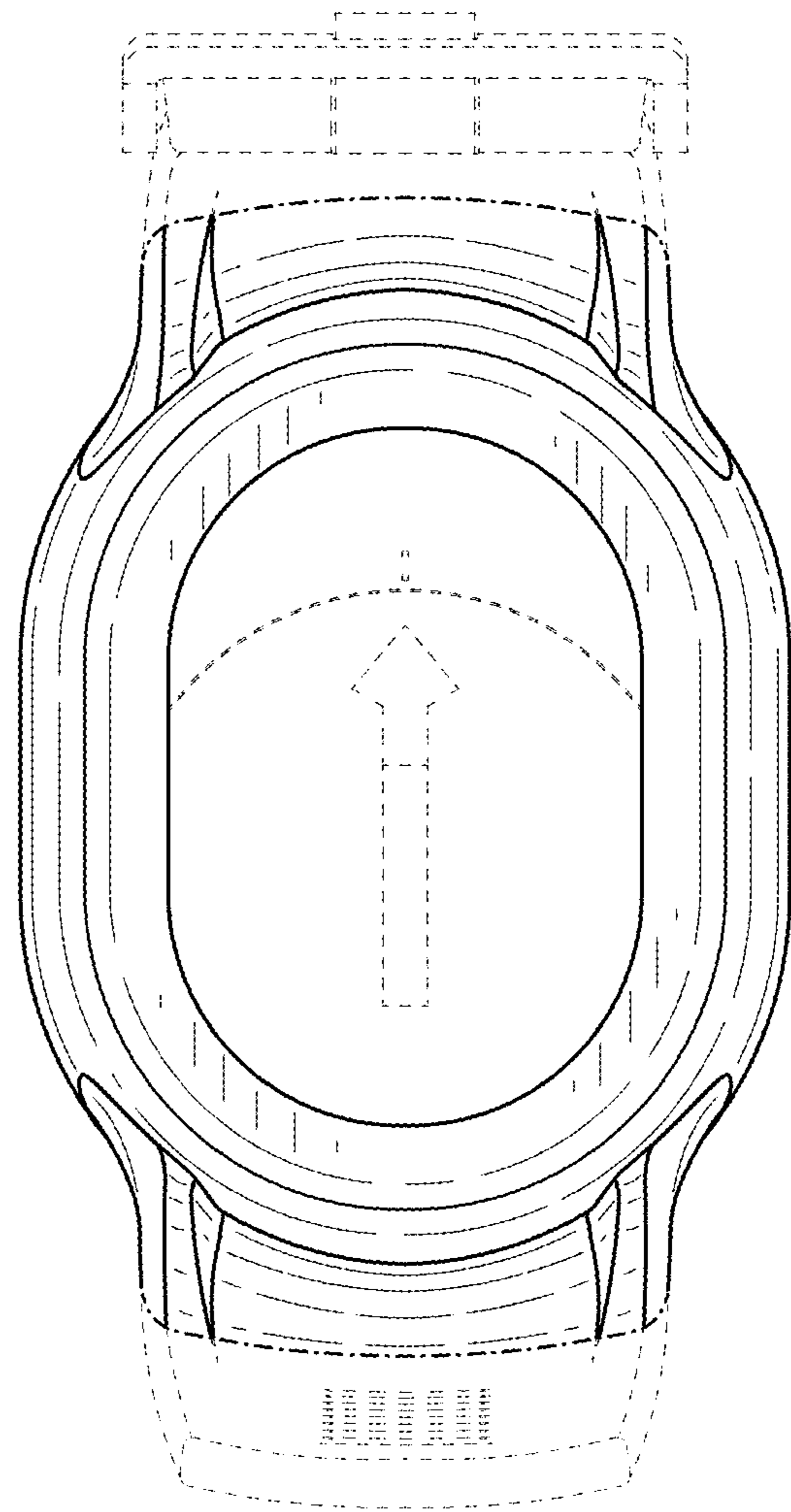


FIG. 3

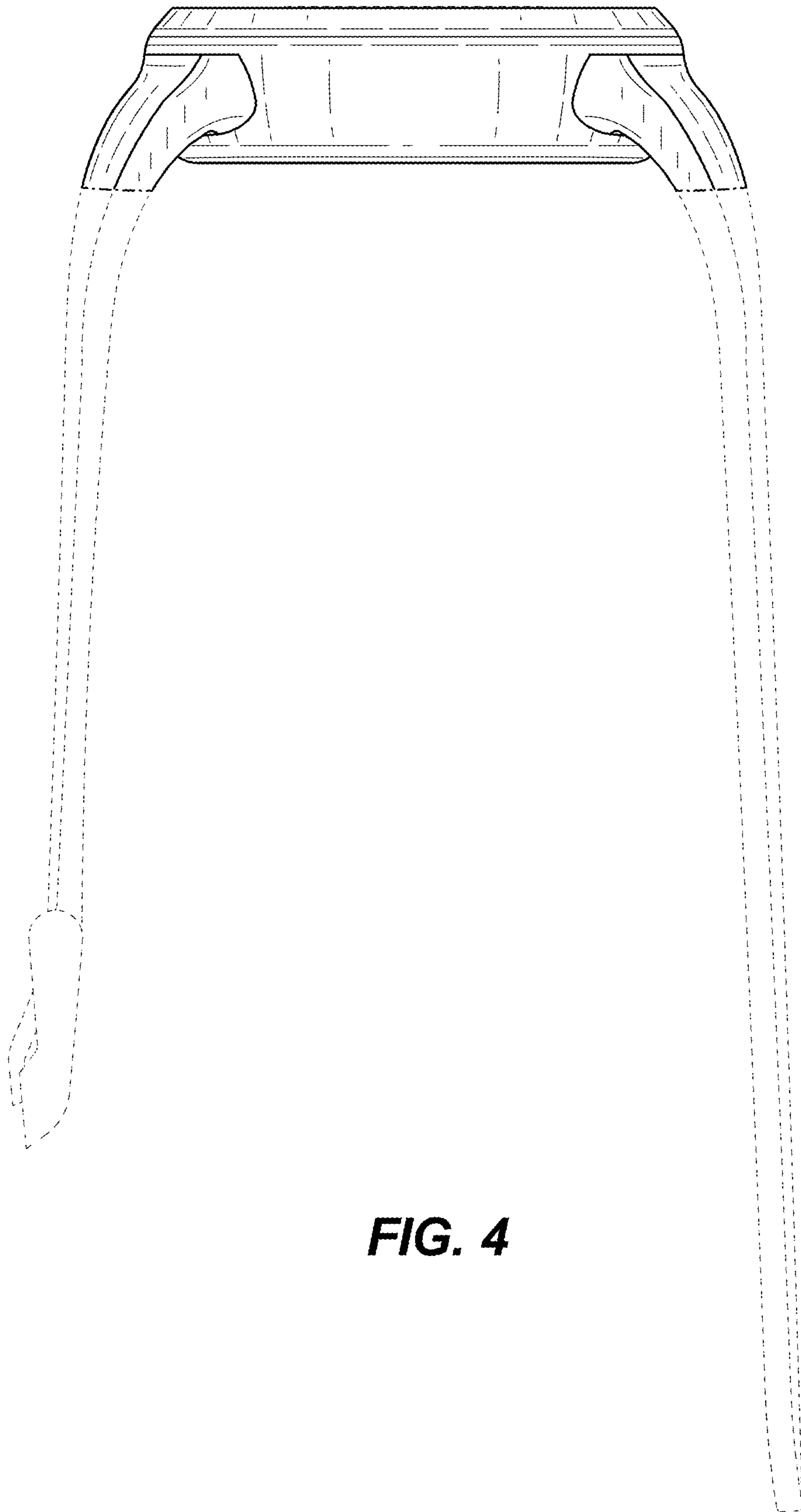


FIG. 4

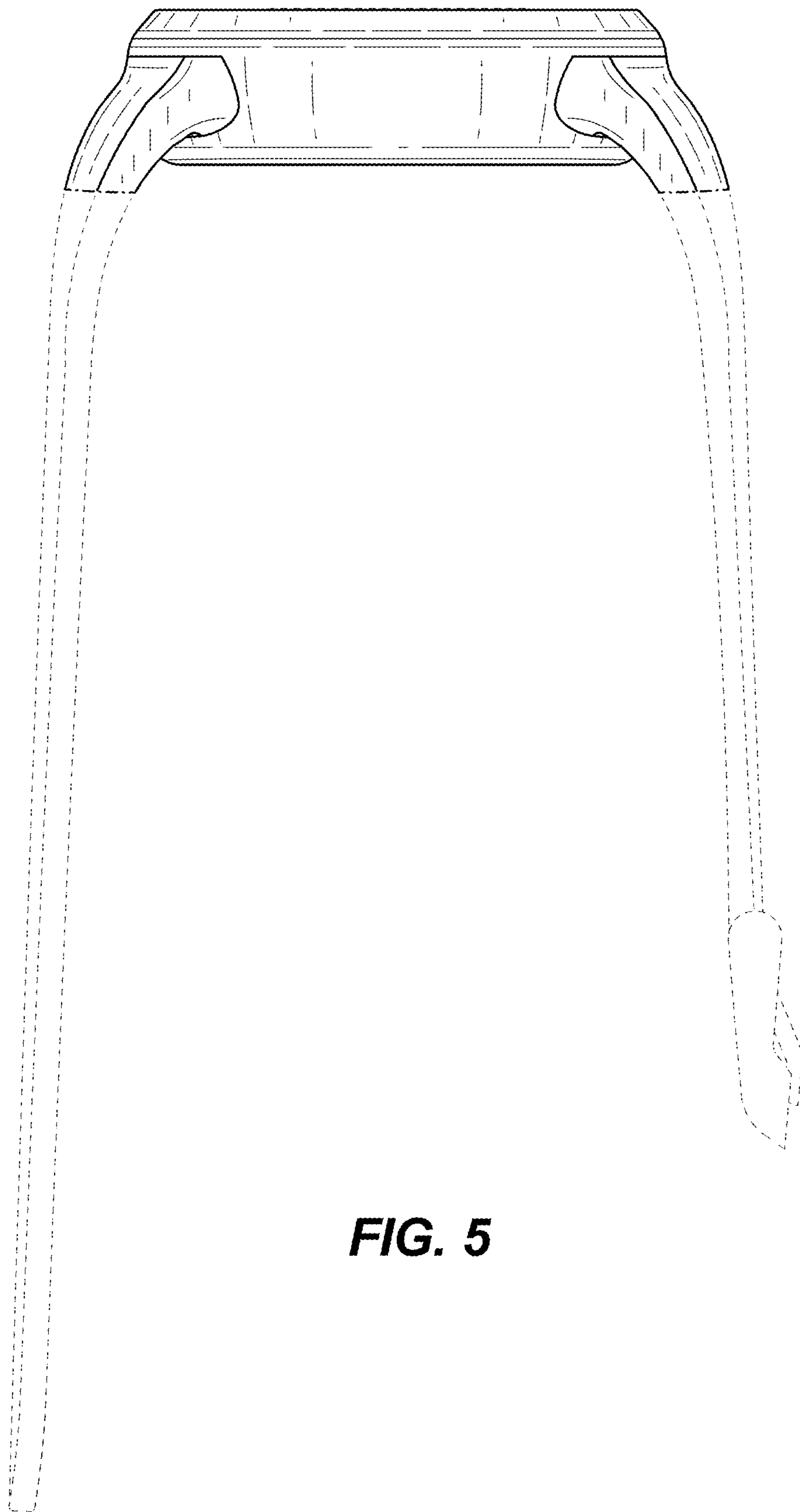


FIG. 5

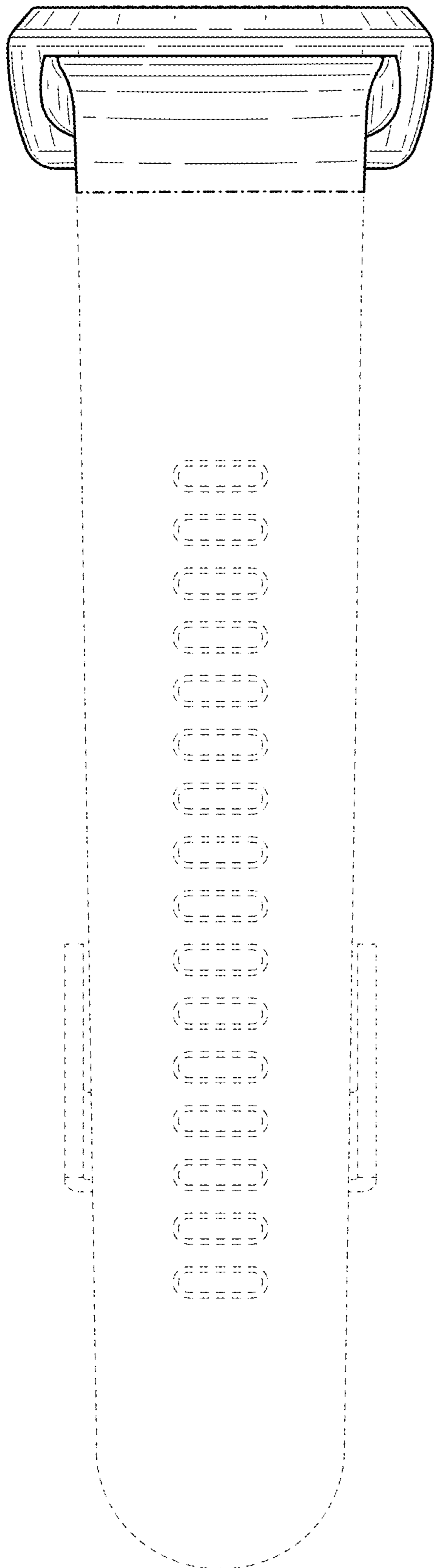


FIG. 6

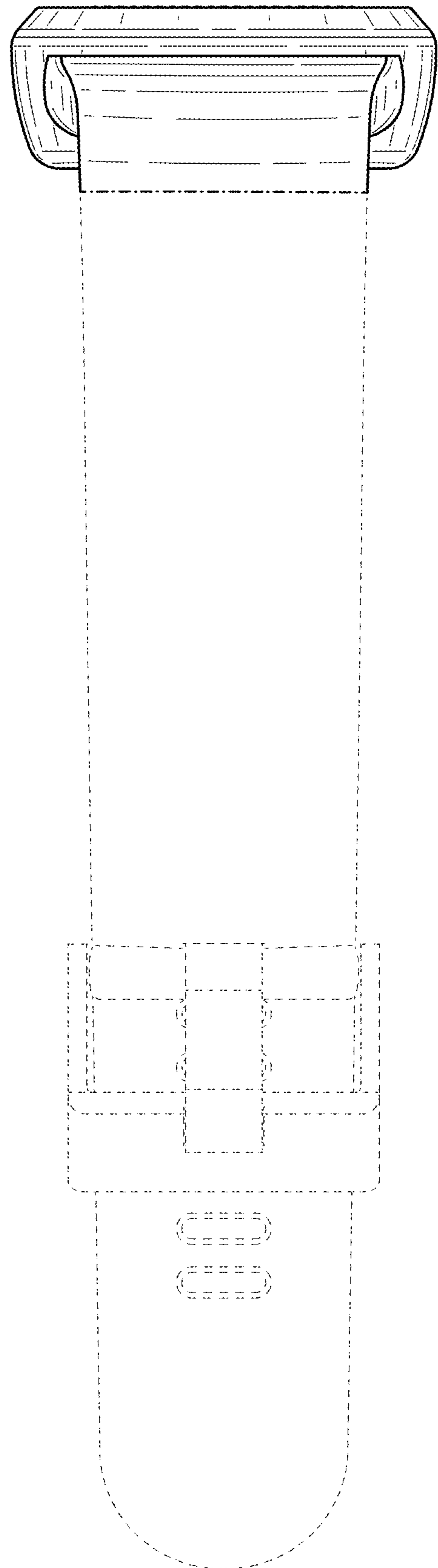


FIG. 7