

US00D955902S

(12) **United States Design Patent**
Fix

(10) **Patent No.:** **US D955,902 S**
(45) **Date of Patent:** **** Jun. 28, 2022**

(54) **DISPLAY UNIT**

(71) Applicant: **PRECO ELECTRONICS, LLC,**
Boise, ID (US)

(72) Inventor: **Jonathan Edward Fix,** Boise, ID (US)

(73) Assignee: **Preco Electronics, LLC,** Boise, ID
(US)

(**) Term: **15 Years**

(21) Appl. No.: **29/726,800**

(22) Filed: **Mar. 5, 2020**

Related U.S. Application Data

(63) Continuation-in-part of application No. 16/780,714,
filed on Feb. 3, 2020.

(51) **LOC (13) Cl.** **10-04**

(52) **U.S. Cl.**
USPC **D10/65; D10/103; D10/104.1; D12/192**

(58) **Field of Classification Search**
USPC D10/65, 70, 103, 104.1, 106.1; D12/192
CPC B60K 35/00; B60K 31/18; B60K 31/00;
B60K 37/02; B60W 30/095; B60W
40/04; B60W 50/14; B60W 30/08; B60R
16/02; G08G 1/16; G01D 7/04; G01P
1/00; G01S 7/10; G01S 13/931
See application file for complete search history.

(56) **References Cited**

U.S. PATENT DOCUMENTS

D346,125 S *	4/1994	Cote	D10/104.2
D401,872 S *	12/1998	Mohan	D10/70
D406,780 S *	3/1999	Chu	D10/106.1
D421,233 S *	2/2000	Icenogle	D10/70
D476,242 S *	6/2003	Glasson	D10/65
D601,444 S *	10/2009	Jones	D10/103
D697,438 S *	1/2014	Rector, III	D10/65

D746,166 S *	12/2015	Li	D10/104.1
D752,998 S *	4/2016	Robinson	D10/65
9,376,121 B2	6/2016	Simon		
D848,292 S *	5/2019	Laurans	D10/70
2016/0236616 A1	8/2016	Kurihara et al.		
2018/0086346 A1	3/2018	Fujisawa et al.		

FOREIGN PATENT DOCUMENTS

DE	102008019461 A1	10/2009
WO	2012/172067 A1	12/2012
WO	2020/160549 A1	8/2020

OTHER PUBLICATIONS

PTC International Search Report and the Written Opinion, for PCT/US2020/016425, Applicant: Preco Electronics, LLC, dated Mar. 30, 2020.

* cited by examiner

Primary Examiner — Antoine Duval Davis

(74) *Attorney, Agent, or Firm* — Lee & Hayes, P.C.

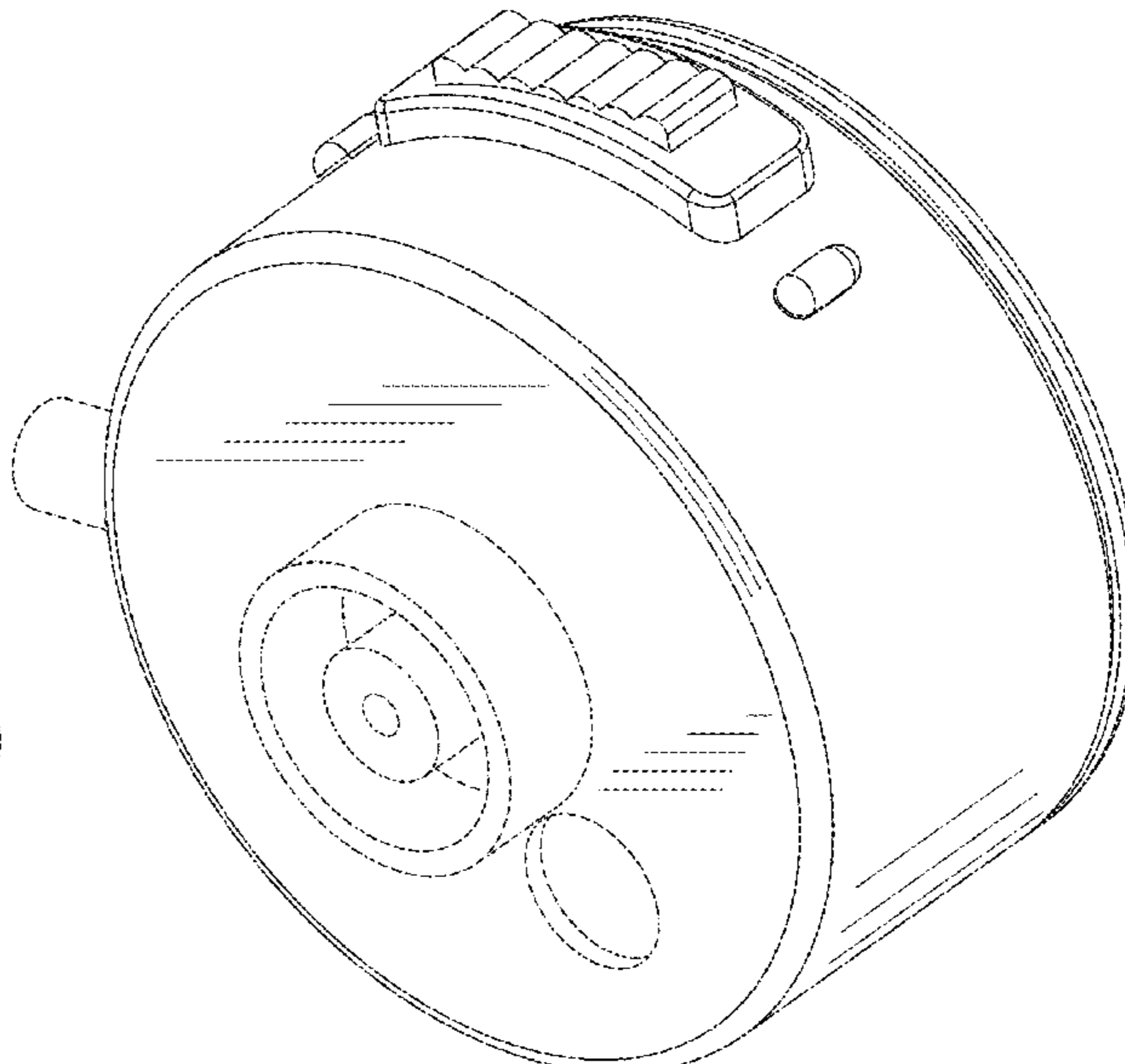
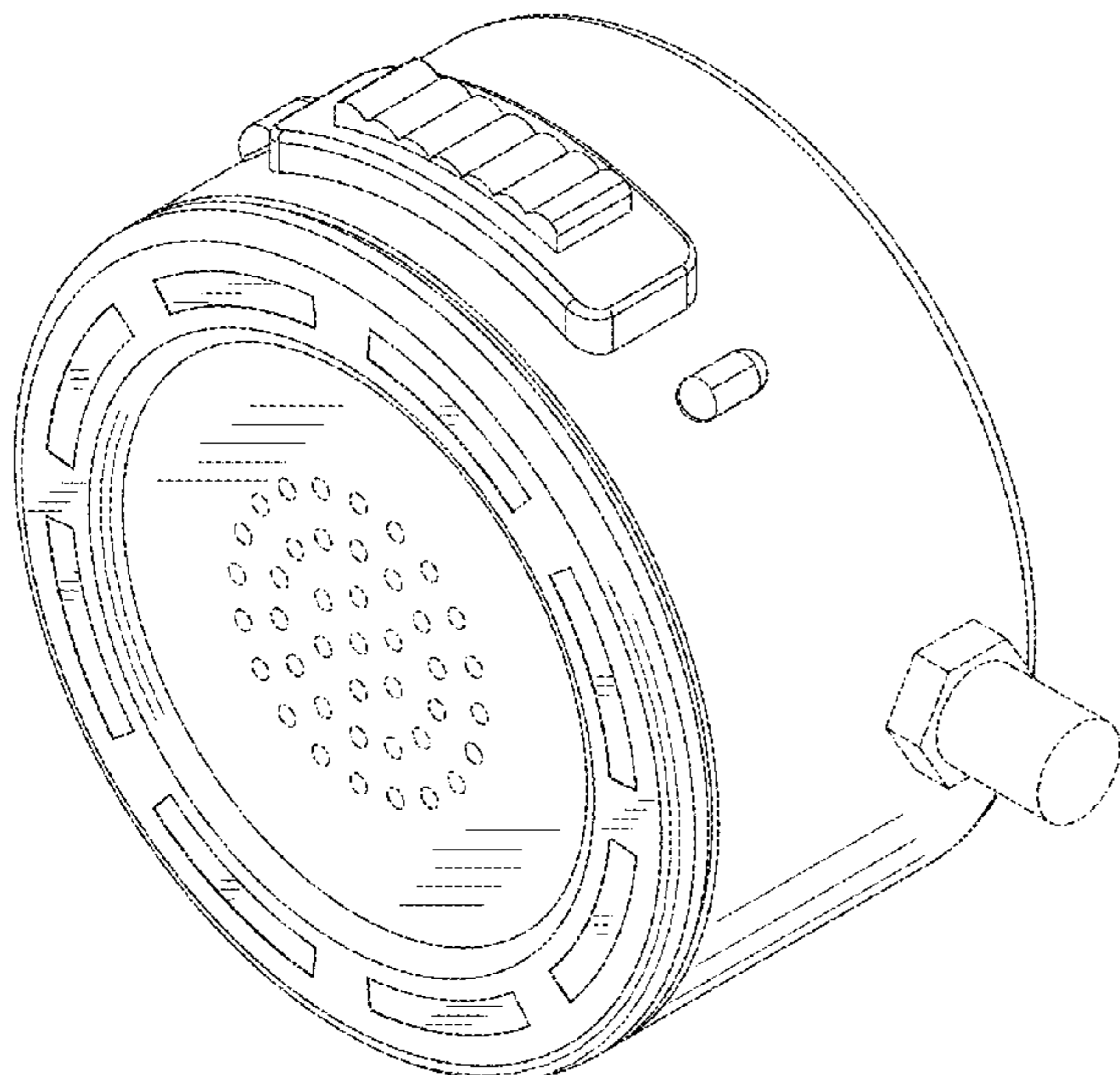
(57) **CLAIM**

The ornamental design for a display unit, as shown and described.

DESCRIPTION

FIG. 1 is a front isometric view of the display unit, showing my new design;
FIG. 2 is a rear isometric view of the display unit of FIG. 1.
FIG. 3 is a front view of the display unit of FIG. 1.
FIG. 4 is a rear view of the display unit of FIG. 1.
FIG. 5 is a top view of the display unit of FIG. 1.
FIG. 6 is a bottom of the display unit of FIG. 1.
FIG. 7 is a right side view of the display unit of FIG. 1; and,
FIG. 8 is a left side view of the display unit of FIG. 1.
The broken lines illustrate portions of the display unit that form no part of the claimed design.

1 Claim, 8 Drawing Sheets



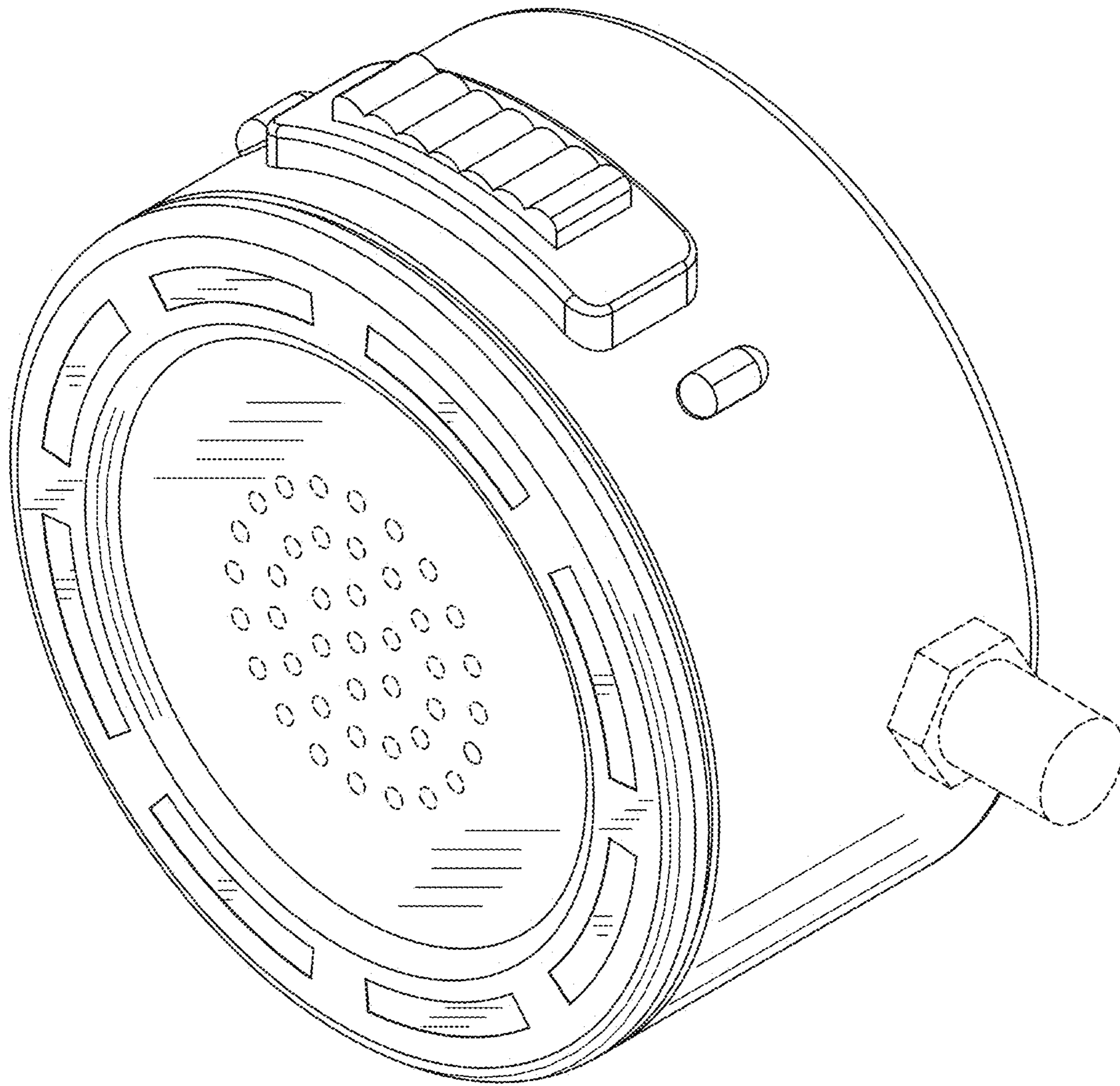


FIGURE 1

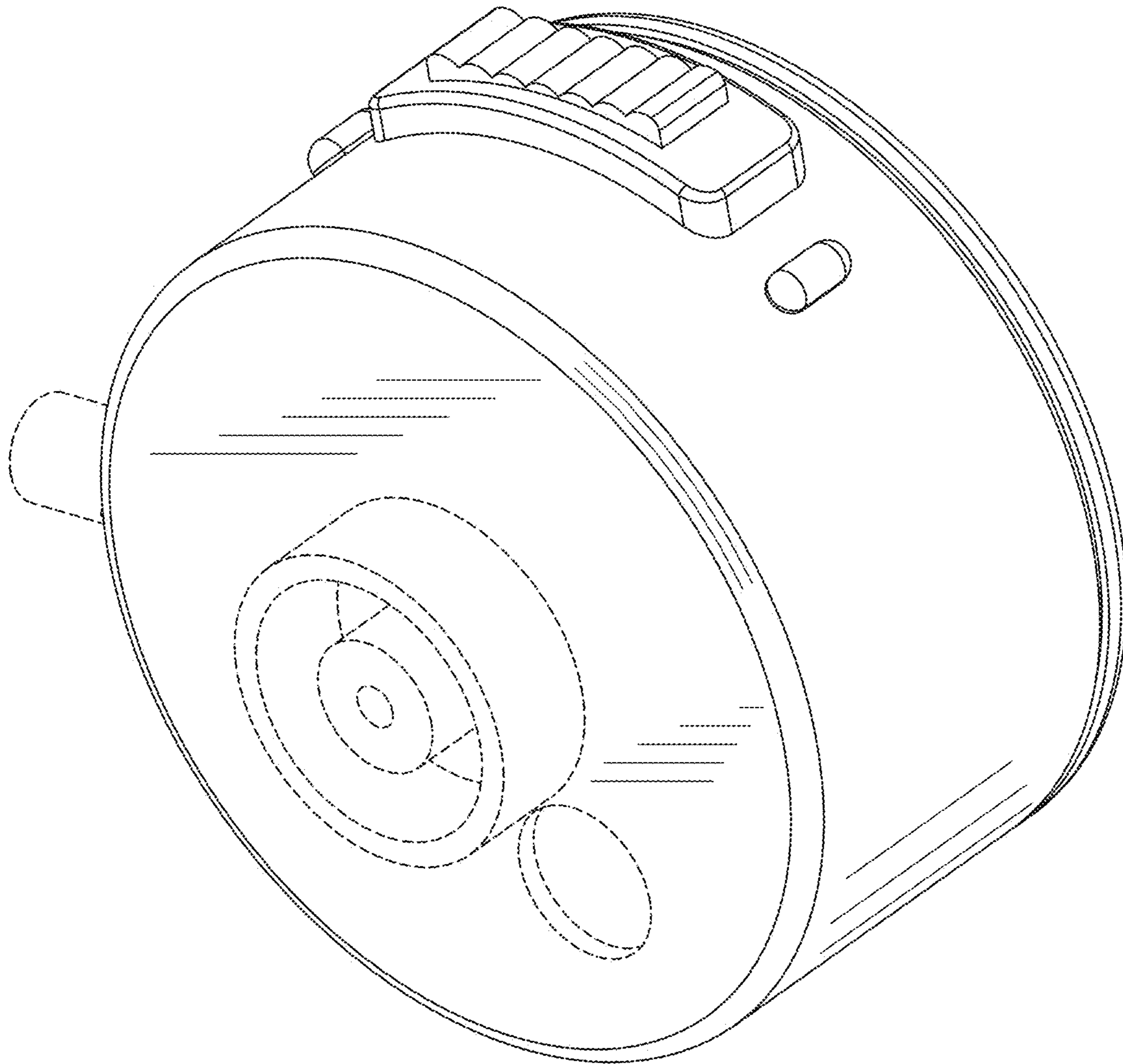


FIGURE 2

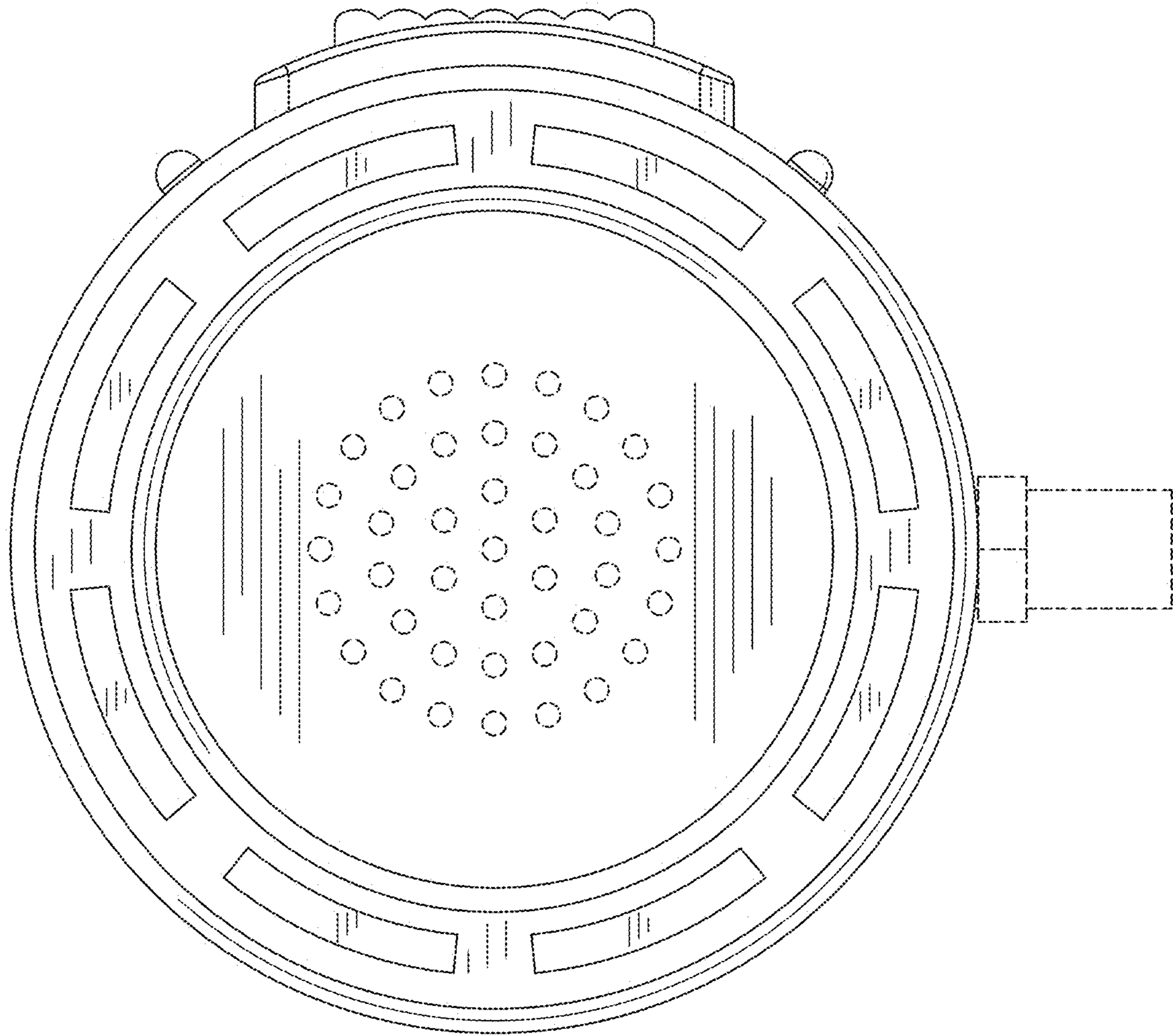


FIGURE 3

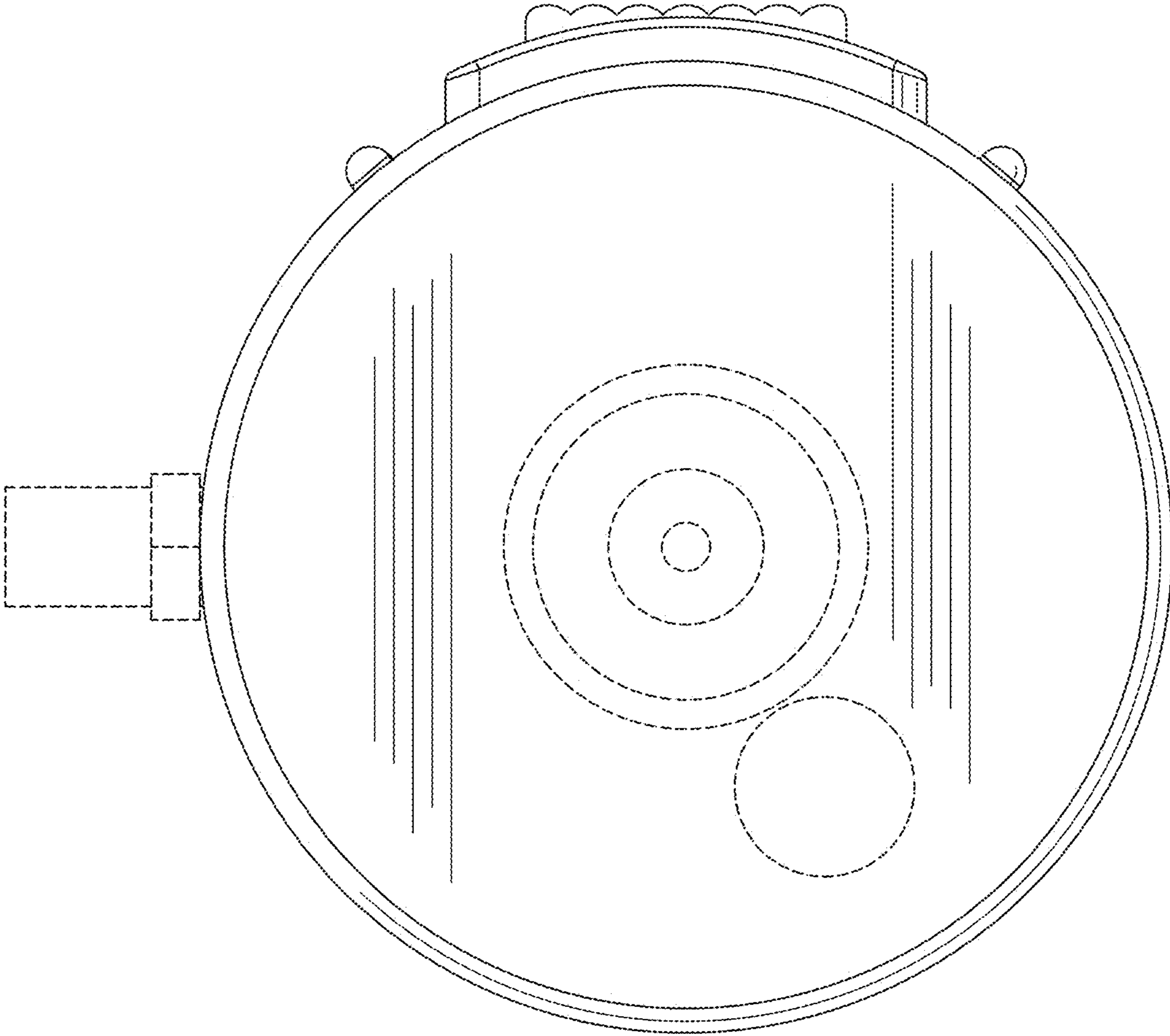


FIGURE 4

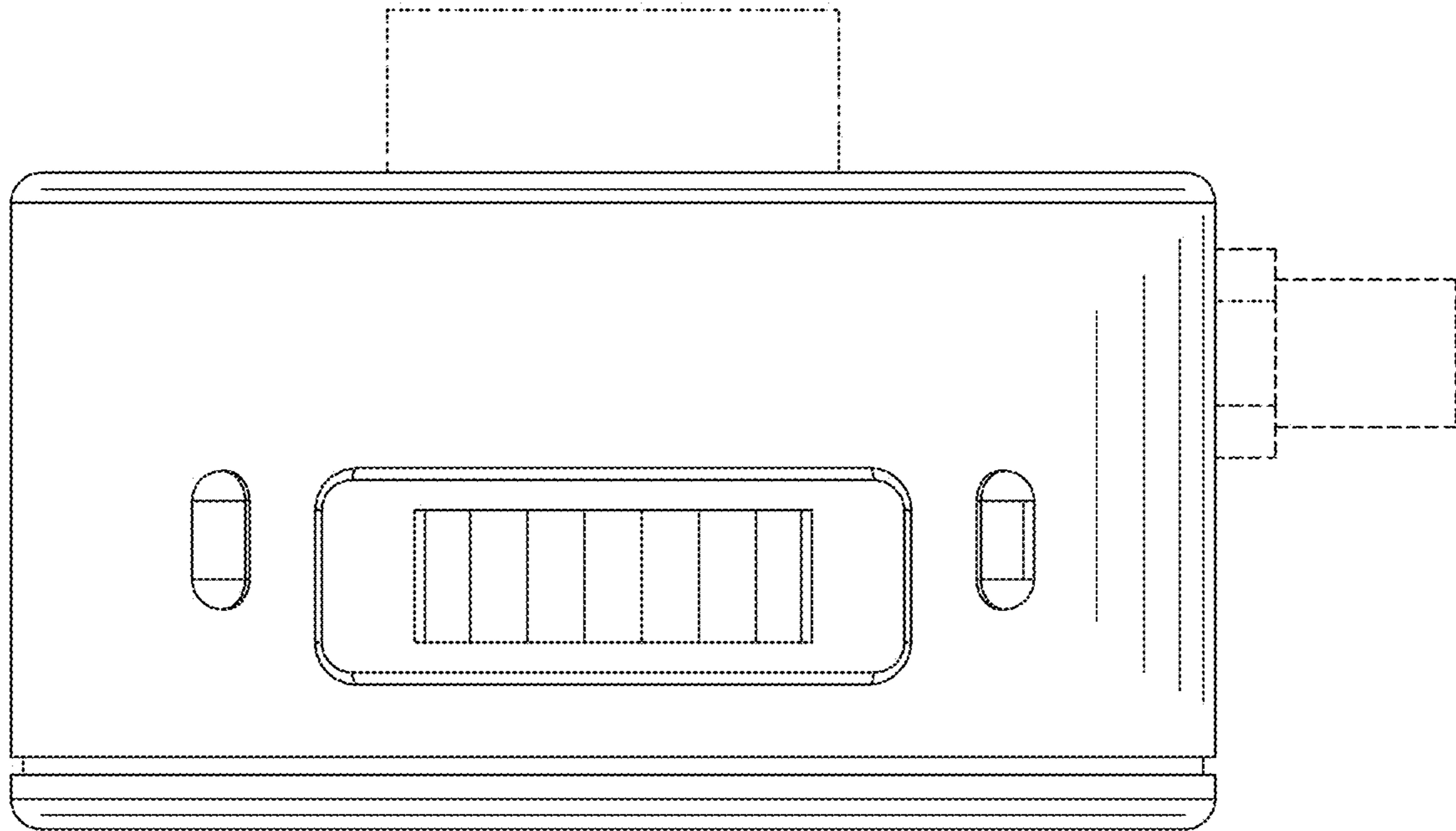


FIGURE 5

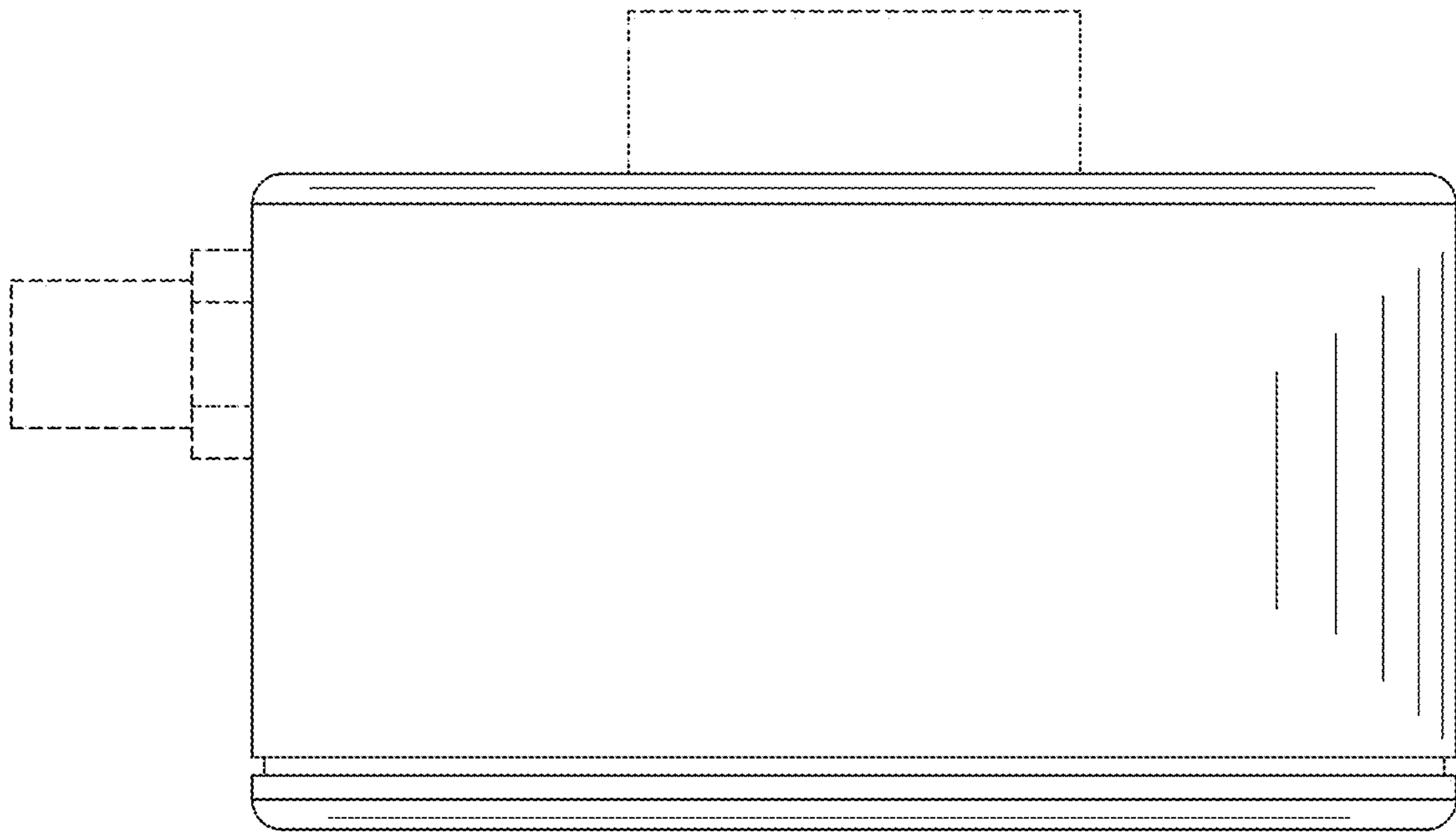


FIGURE 6

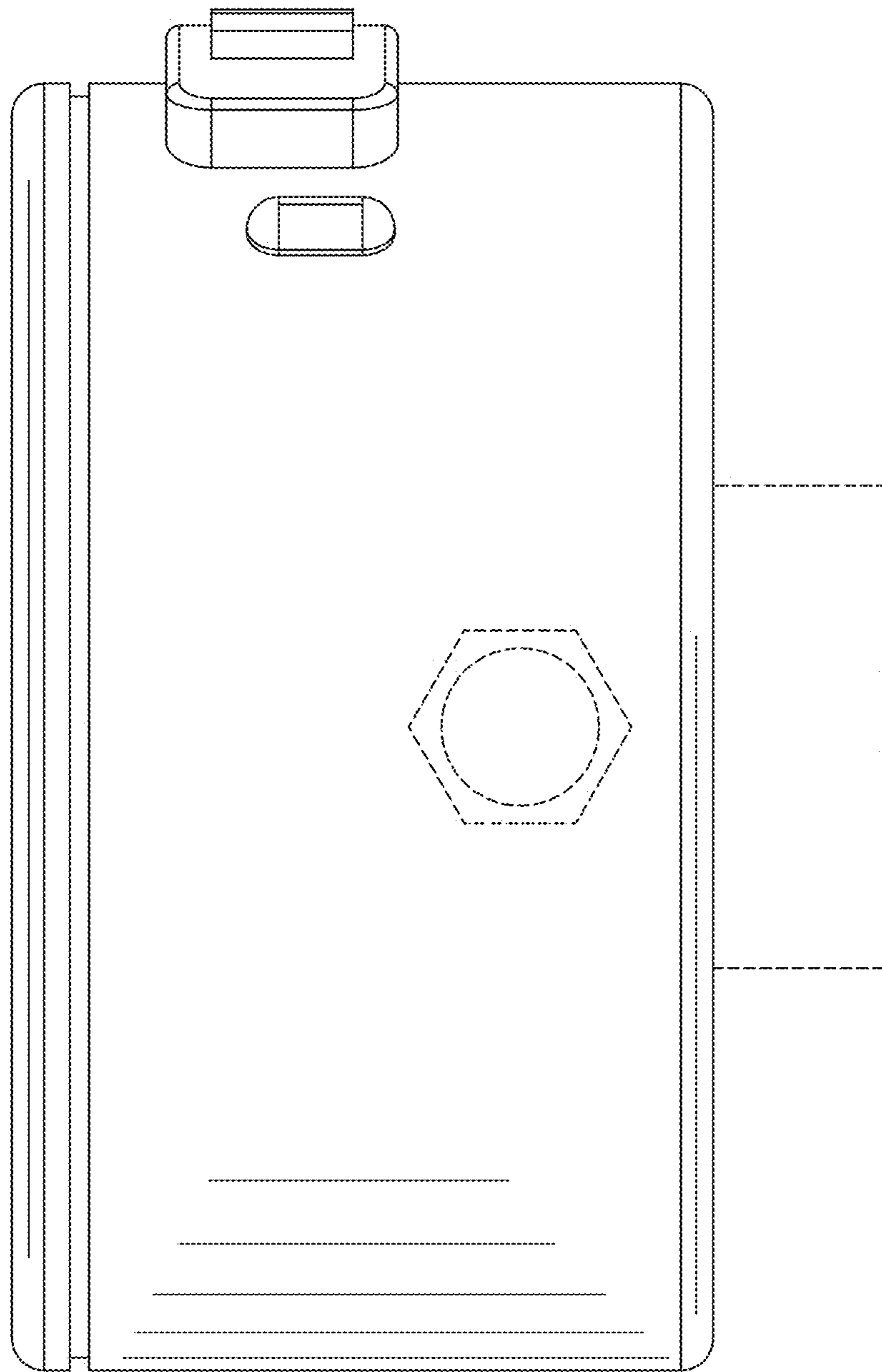


FIGURE 7

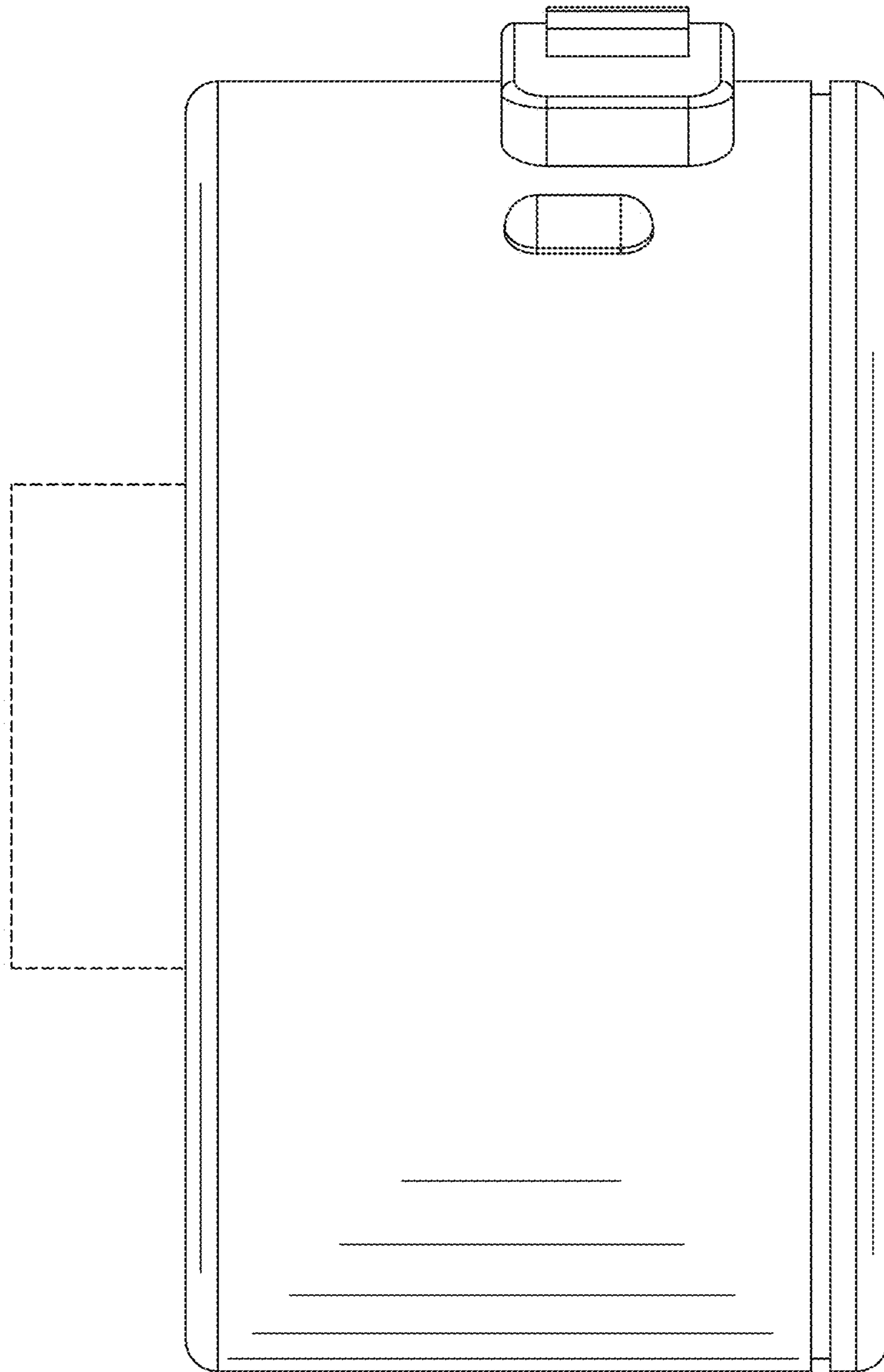


FIGURE 8