



US00D955898S

(12) **United States Design Patent**
De Castellane

(10) **Patent No.:** **US D955,898 S**

(45) **Date of Patent:** **** Jun. 28, 2022**

(54) **WRIST WATCH**
(71) Applicant: **CHRISTIAN DIOR COUTURE**, Paris (FR)
(72) Inventor: **Victoire De Castellane**, Paris (FR)
(**) Term: **15 Years**
(21) Appl. No.: **35/511,628**

2,482,660 A * 9/1949 Dewey A44C 5/145
368/282
D411,129 S * 6/1999 Chaney D11/3
D665,274 S * 8/2012 Arabov D10/38
D665,275 S * 8/2012 Arabov D10/38
D820,140 S * 6/2018 Register D11/3
D848,290 S * 5/2019 Janzen D10/39
D880,317 S * 4/2020 De Castellane D10/39
D906,136 S * 12/2020 de Castellane D10/38
D906,843 S * 1/2021 de Castellane D10/38

* cited by examiner

Primary Examiner — George D. Kirschbaum

(22) Filed: **Nov. 21, 2019**

(80) **Hague Agreement Data**

Int. Filing Date: **Nov. 21, 2019**
Int. Reg. No.: **DM/213399**
Int. Reg. Date: **Nov. 21, 2019**
Int. Reg. Pub. Date: **Apr. 2, 2021**

(51) **LOC (13) Cl.** **10-02**

(52) **U.S. Cl.**
USPC **D10/39**

(58) **Field of Classification Search**
USPC D10/30, 32, 38, 39, 126
CPC G06F 1/14; G04G 21/08; G04G 9/0064;
G04B 43/002; G04B 37/04; A44C
5/0069; A44C 5/145
See application file for complete search history.

(56) **References Cited**

U.S. PATENT DOCUMENTS

1,634,447 A * 7/1927 Bowen G04B 37/04
29/896.33
2,270,216 A * 1/1942 Marwil A44C 5/0069
224/175

(57) **CLAIM**

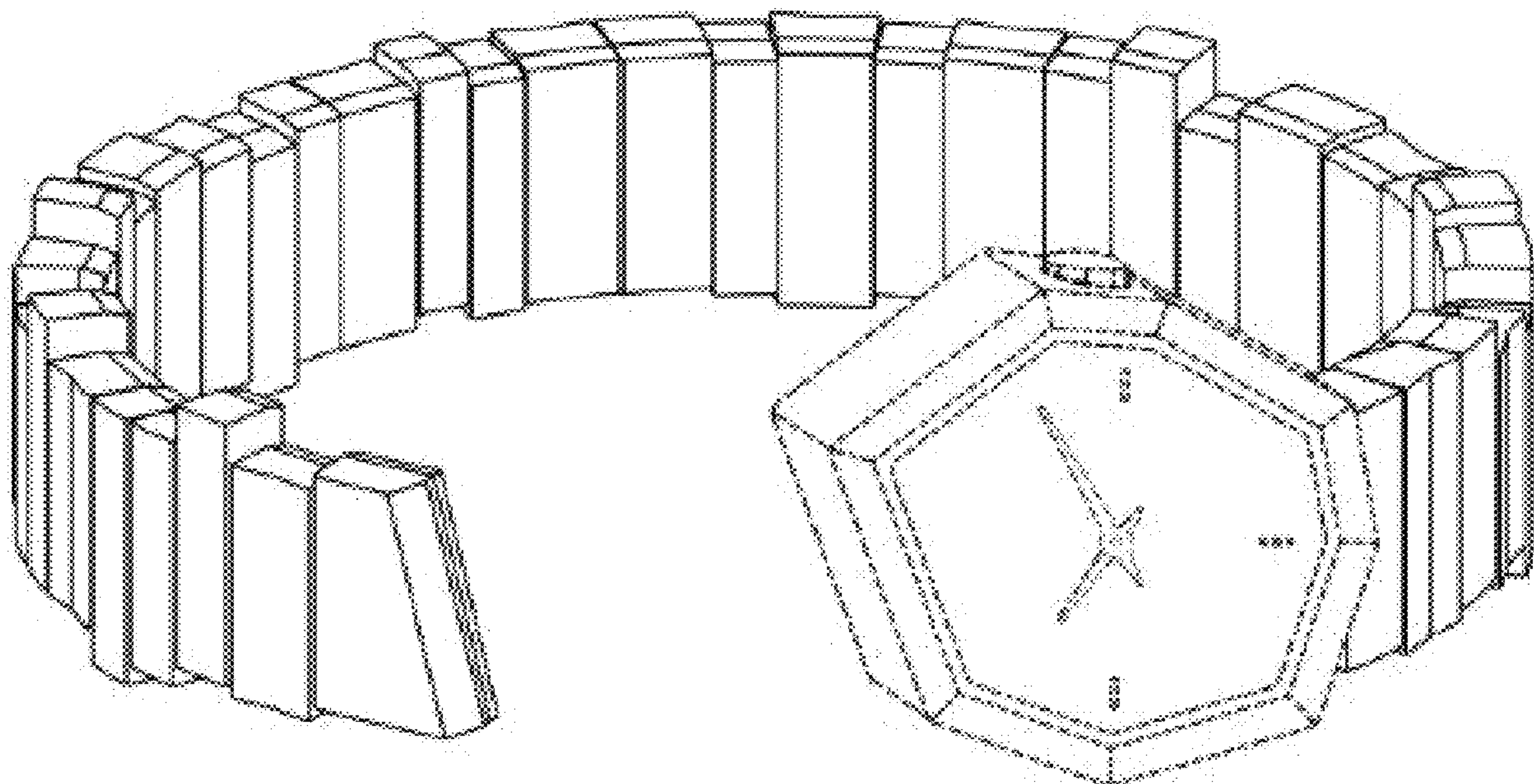
The ornamental design for a wrist watch, as shown and described.

DESCRIPTION

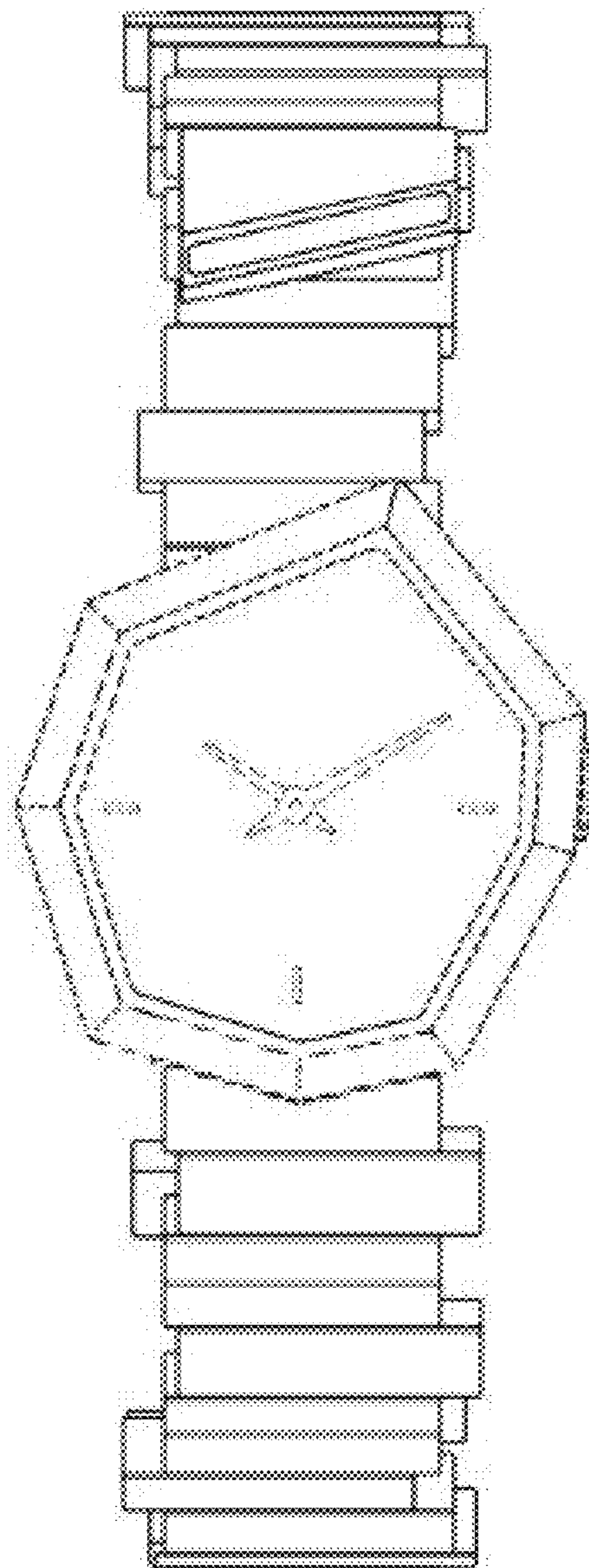
- 1. Wrist watch
- 1.1 : Front
- 1.2 : Bottom
- 1.3 : Top
- 1.4 : Back
- 1.5 : Right
- 1.6 : Left
- 1.7 : Perspective

The broken line disclosure of a watch face and body form no part of the claimed design.

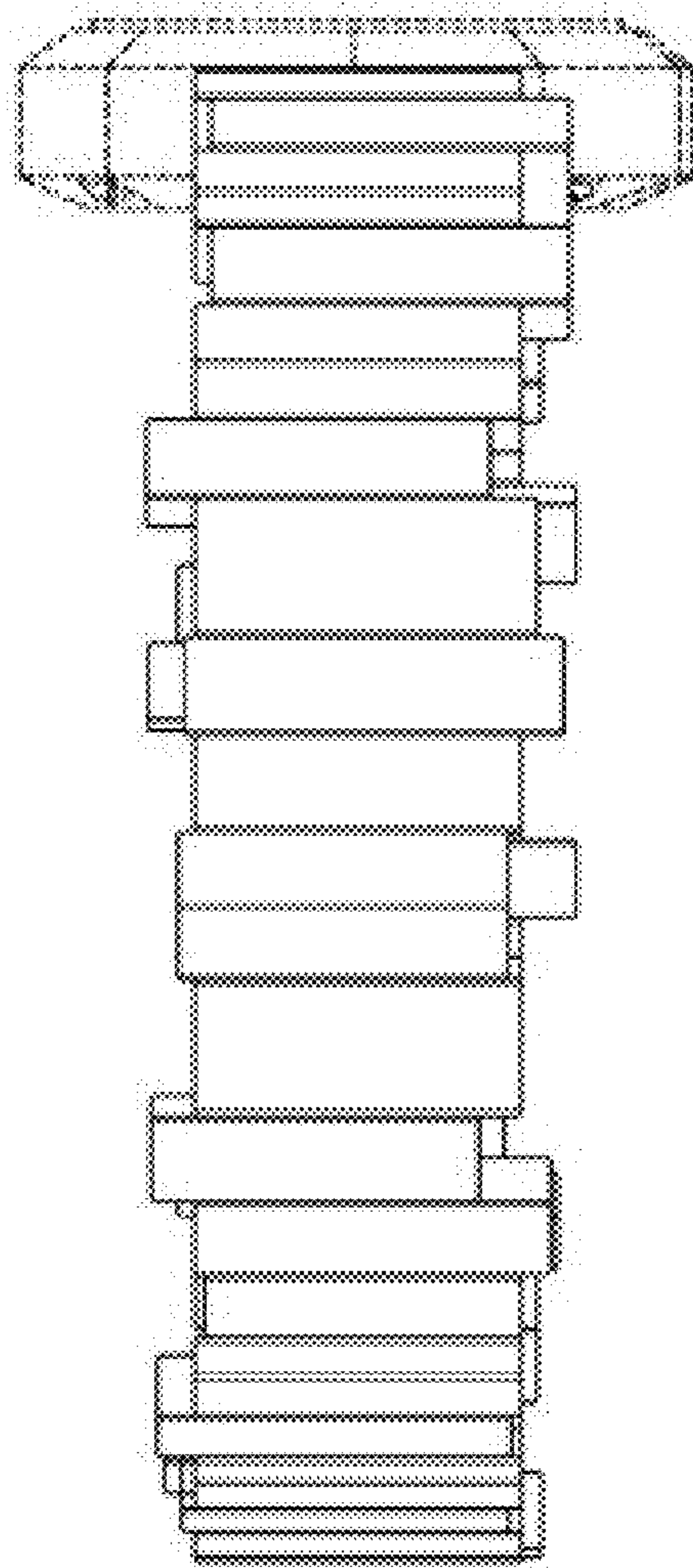
1 Claim, 7 Drawing Sheets



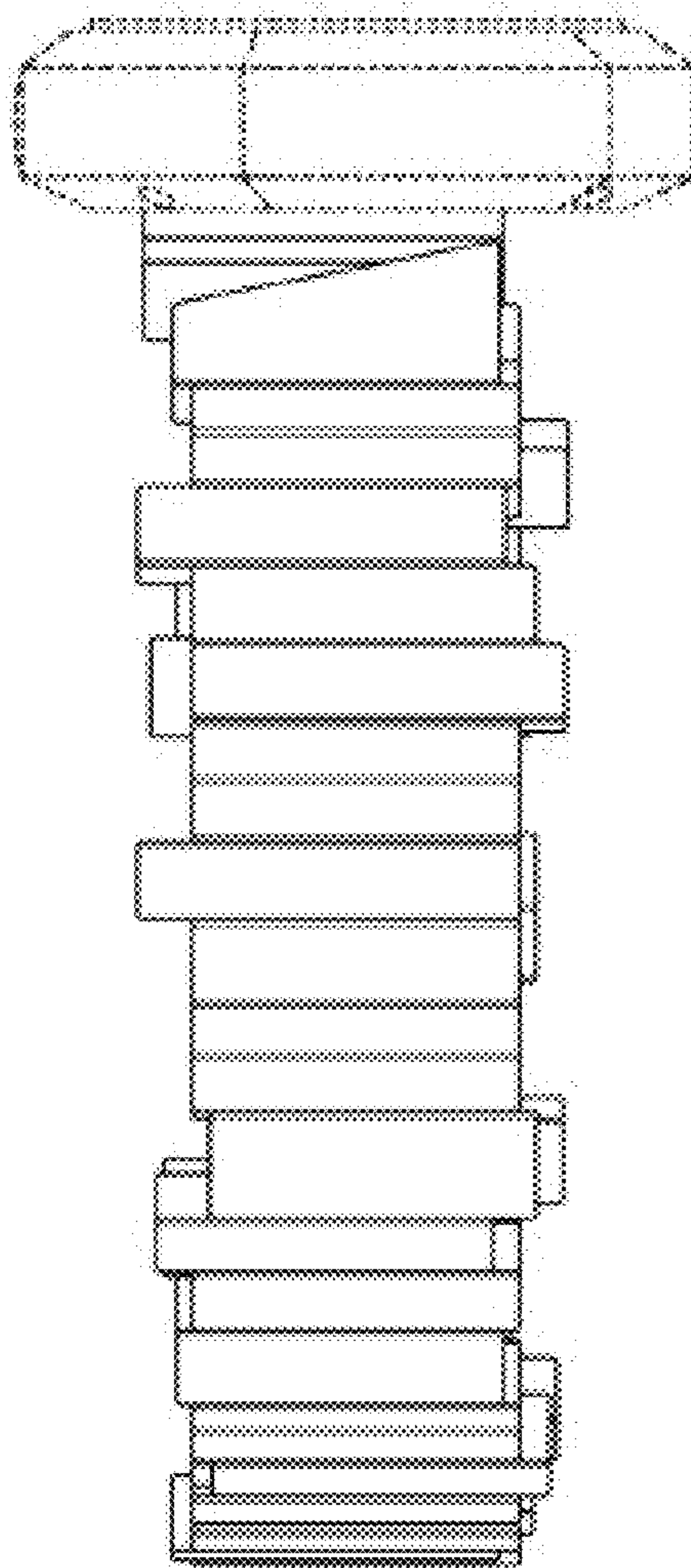
1.1



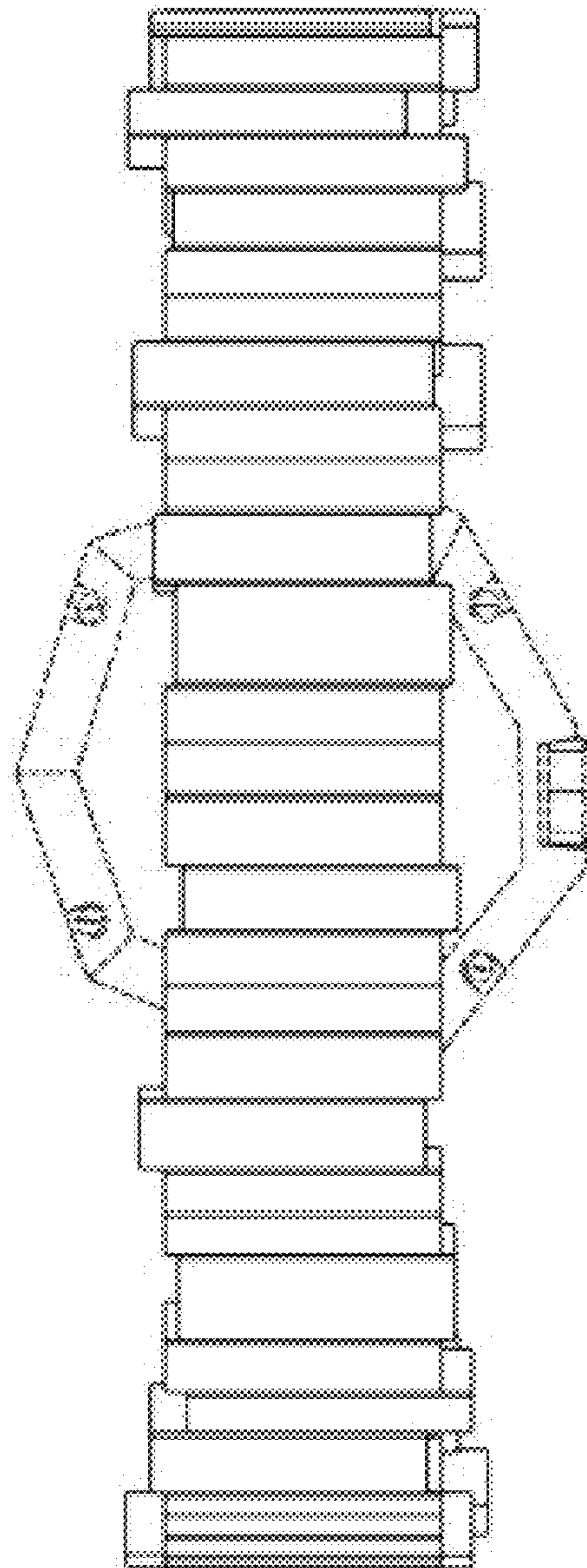
1.2



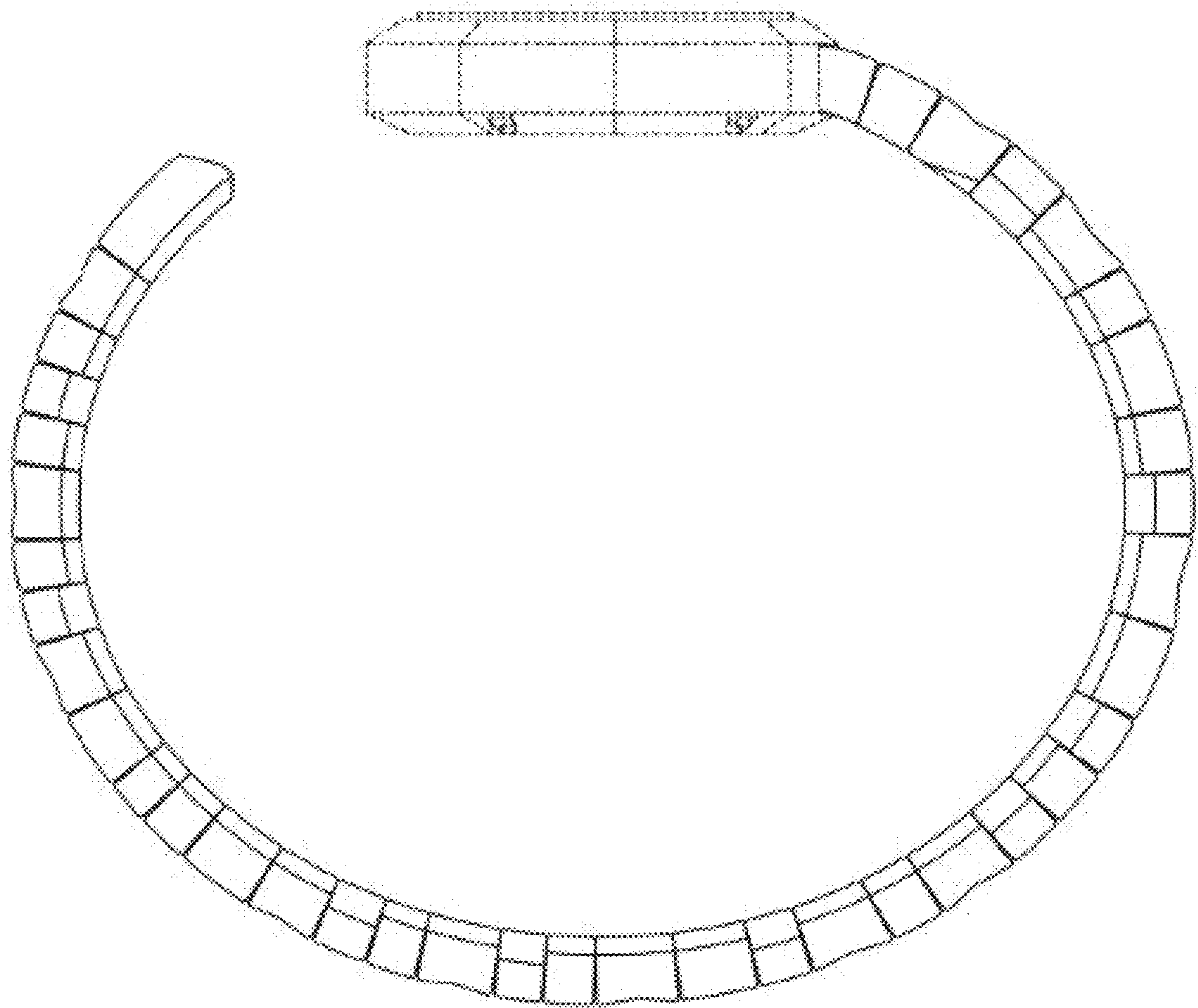
1.3



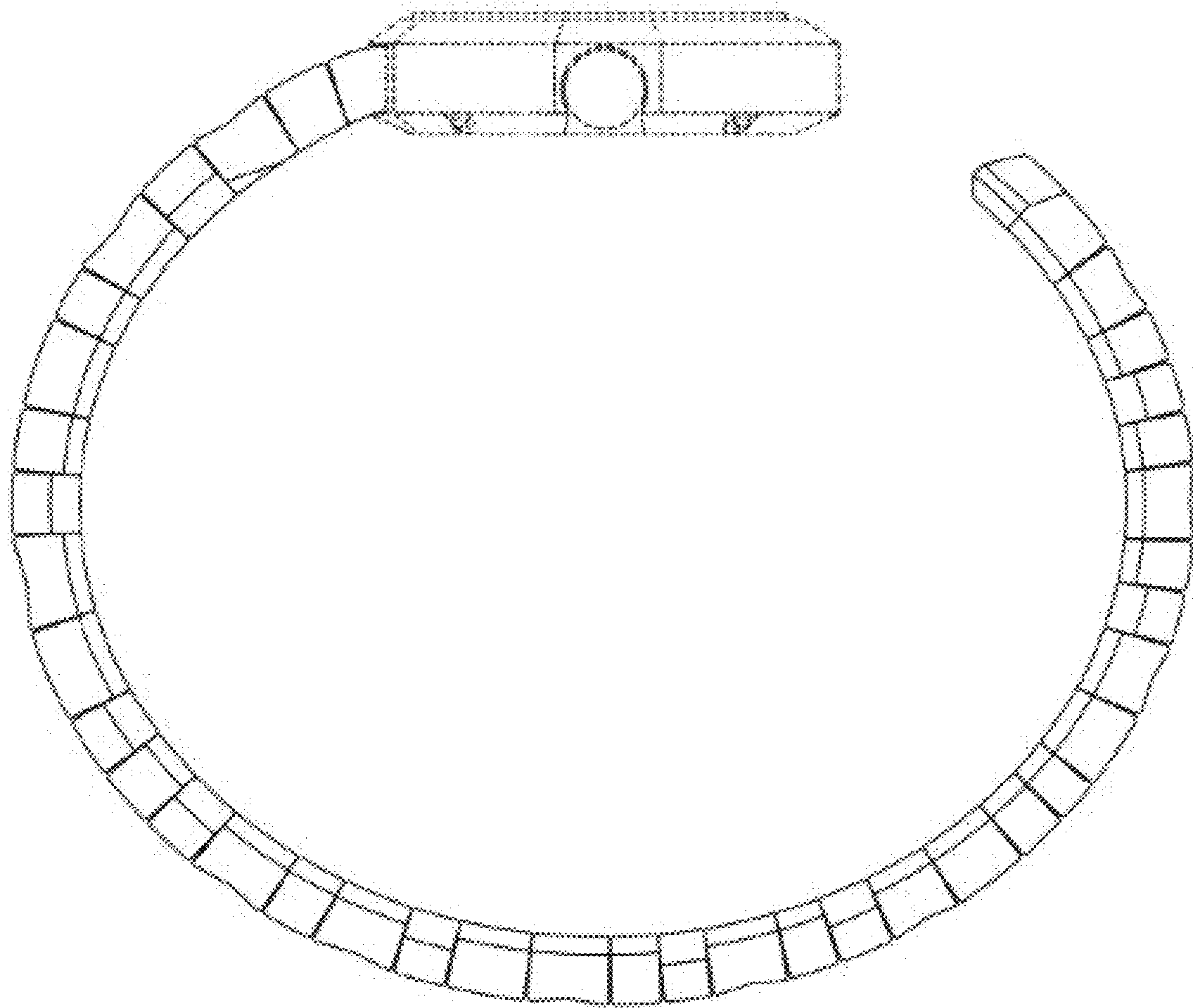
1.4



1.5



1.6



1.7

