



US00D955895S

(12) **United States Design Patent**  
**Yu**

(10) **Patent No.:** **US D955,895 S**  
(45) **Date of Patent:** **\*\* Jun. 28, 2022**

(54) **DIGITAL ALARM CLOCK**  
(71) Applicant: **FUZHOU ESUN ELECTRONIC CO., LTD**, Fuzhou (CN)  
(72) Inventor: **Guo Yu**, Fuzhou (CN)  
(73) Assignee: **FUZHOU ESUN ELECTRONIC CO., LTD**, Fuzhou (CN)  
(\*\*) Term: **15 Years**

D318,471 S \* 7/1991 Wada ..... D14/163  
D761,227 S \* 7/2016 Poandl ..... D14/204  
D832,810 S \* 11/2018 McManigal ..... D14/204  
D833,416 S \* 11/2018 Hu ..... D14/204  
D852,773 S \* 7/2019 McManigal ..... D14/204  
D875,554 S \* 2/2020 Bai ..... D10/15  
D886,797 S \* 6/2020 Wang ..... D14/204  
D887,286 S \* 6/2020 Barr ..... D10/15  
D888,686 S \* 6/2020 Cheng ..... D14/214  
D912,533 S \* 3/2021 Yu ..... D10/15  
D913,987 S \* 3/2021 Li ..... D14/204  
D929,241 S \* 8/2021 Yu ..... D10/2  
2003/0005613 A1 \* 1/2003 Gleekel ..... G04G 17/08  
40/711

(21) Appl. No.: **29/753,255**

\* cited by examiner

(22) Filed: **Sep. 30, 2020**

*Primary Examiner* — Katherine Glennon

(30) **Foreign Application Priority Data**

(74) *Attorney, Agent, or Firm* — Westbridge IP LLC

Sep. 21, 2020 (CN) ..... 202030560688.5

(51) **LOC (13) Cl.** ..... **10-01**

(52) **U.S. Cl.**  
USPC ..... **D10/15**

(58) **Field of Classification Search**  
USPC ..... D10/1-4, 6, 15, 21-25, 27-29;  
D14/170-172, 203.1, 204  
CPC ..... G04G 13/00; G04G 13/02; G04G 13/021;  
G04G 13/028; G04G 17/00; G04G 17/08;  
G04G 17/086; G04G 21/00; G04G 21/08  
See application file for complete search history.

(56) **References Cited**

U.S. PATENT DOCUMENTS

D57,372 S \* 3/1921 Ouzoun-Boghossian ... D14/219  
D183,144 S \* 7/1958 Rubin ..... D10/25  
D316,820 S \* 5/1991 Wada ..... D10/18

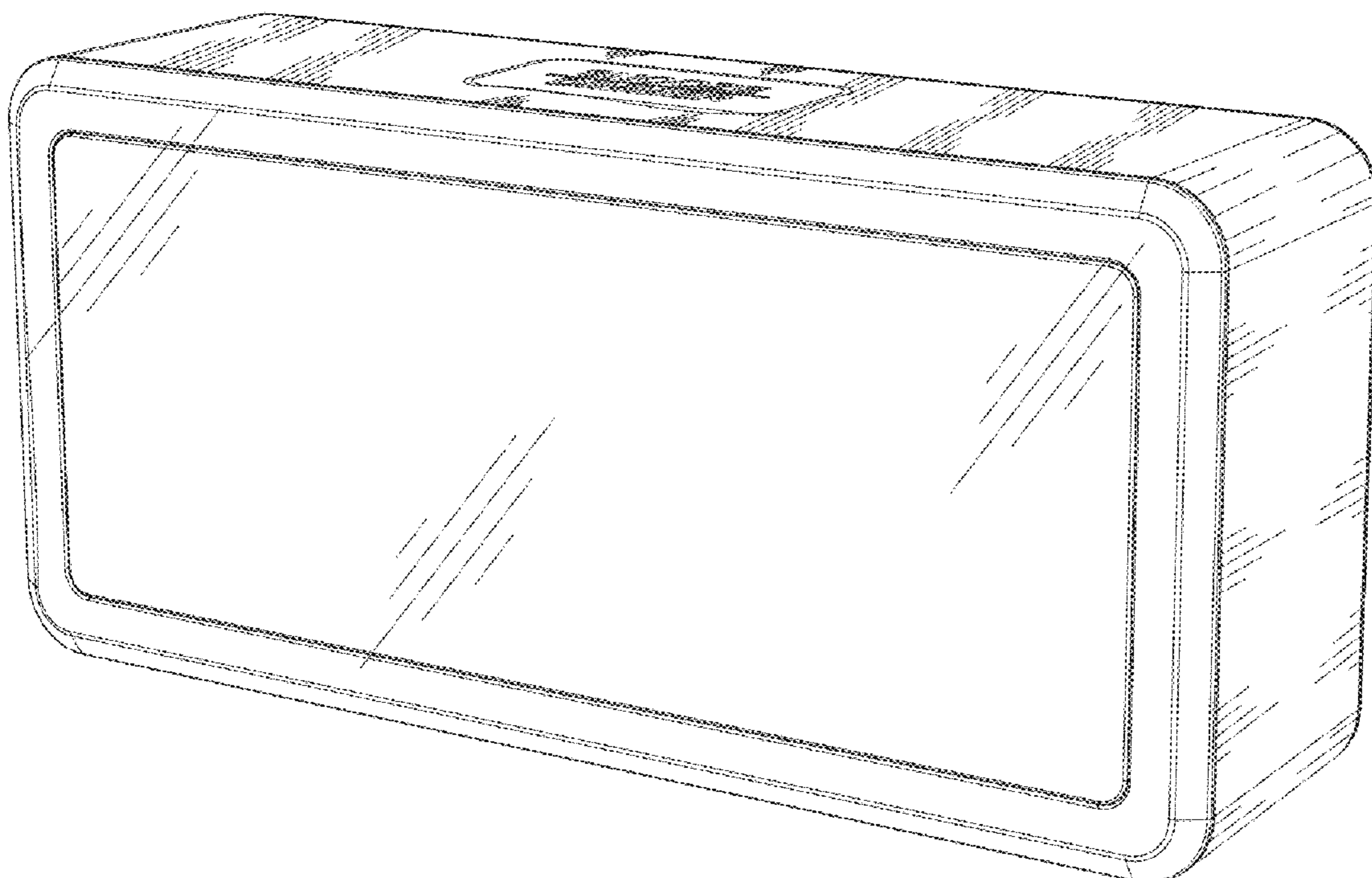
(57) **CLAIM**

The ornamental design for a digital alarm clock, as shown and described.

**DESCRIPTION**

FIG. 1 is a front elevational view of a digital alarm clock showing my new design;  
FIG. 2 is a rear elevational view thereof;  
FIG. 3 is a left side view thereof;  
FIG. 4 is a right side view thereof;  
FIG. 5 is a top plan view thereof;  
FIG. 6 is a bottom plan view thereof; and,  
FIG. 7 is a front perspective view thereof.  
The broken lines depict portions of the digital alarm clock that form no part of the claimed design.

**1 Claim, 7 Drawing Sheets**



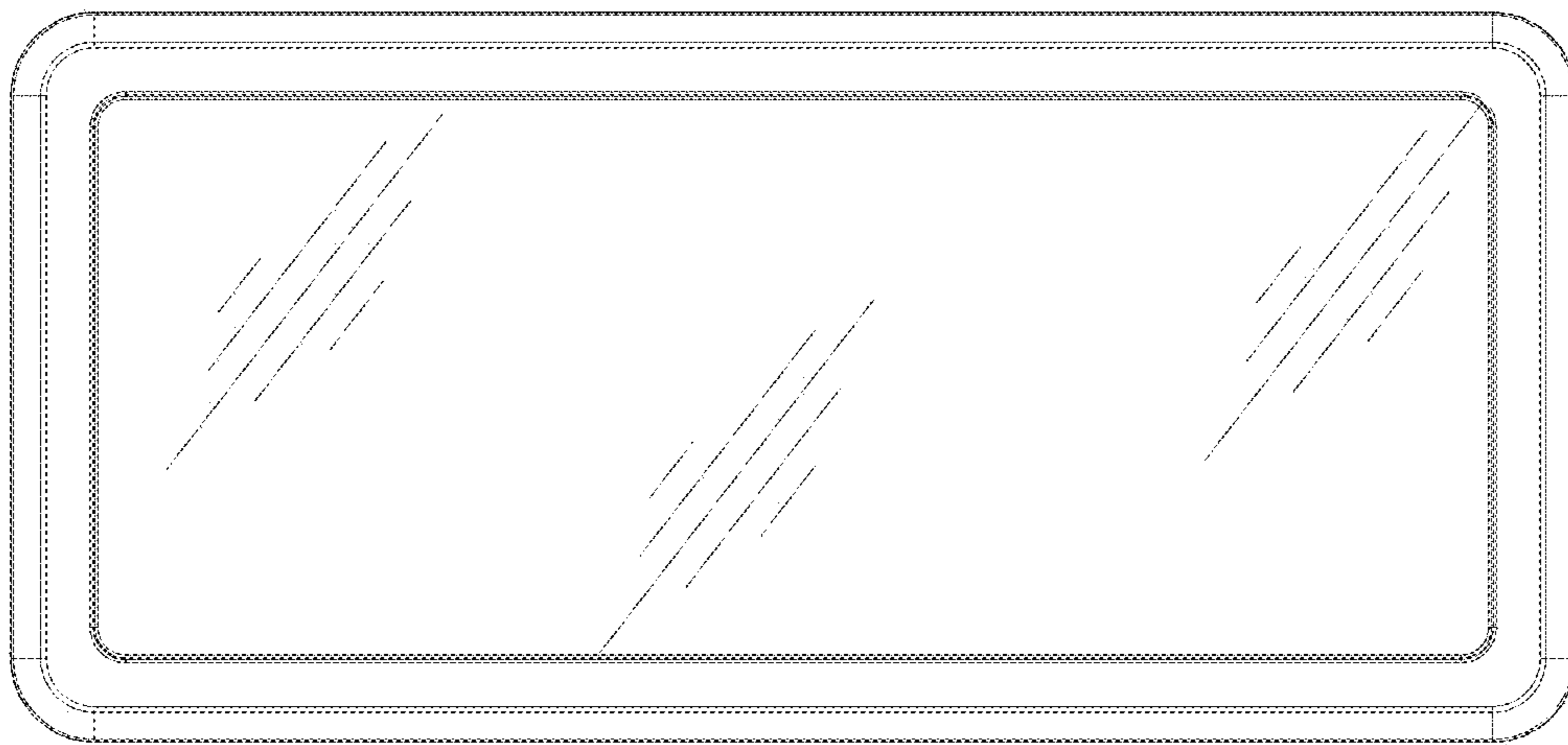


FIG. 1

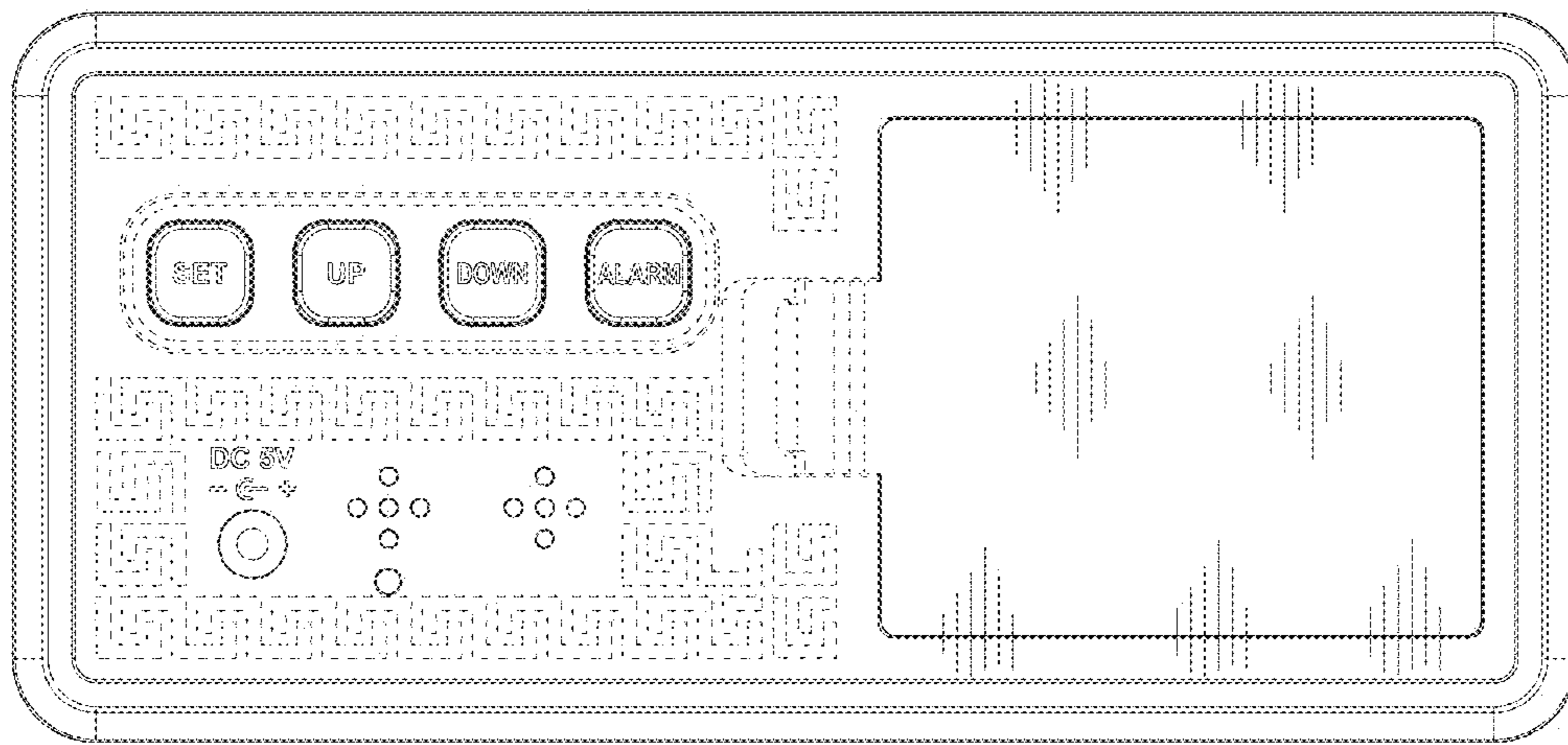


FIG.2

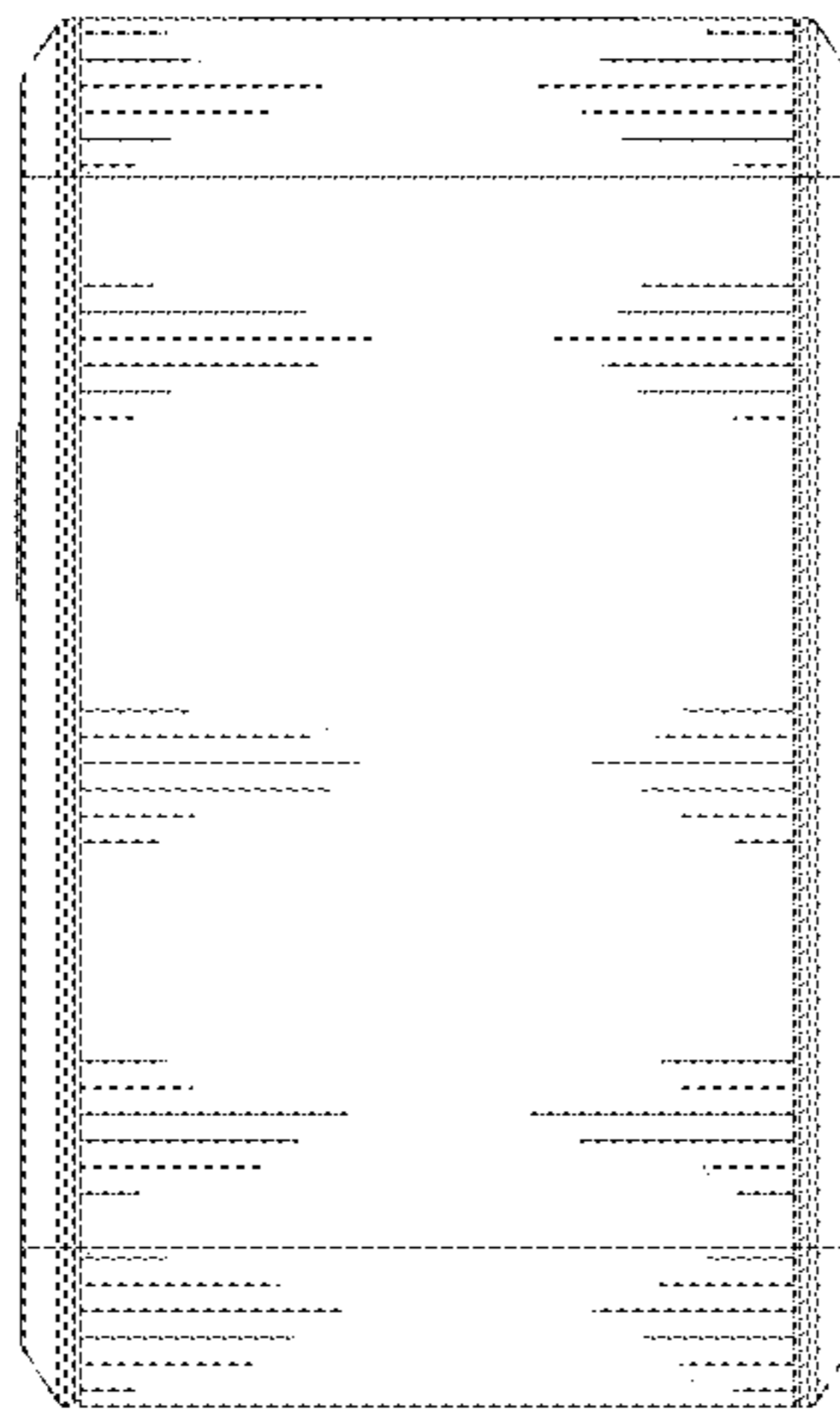


FIG.3

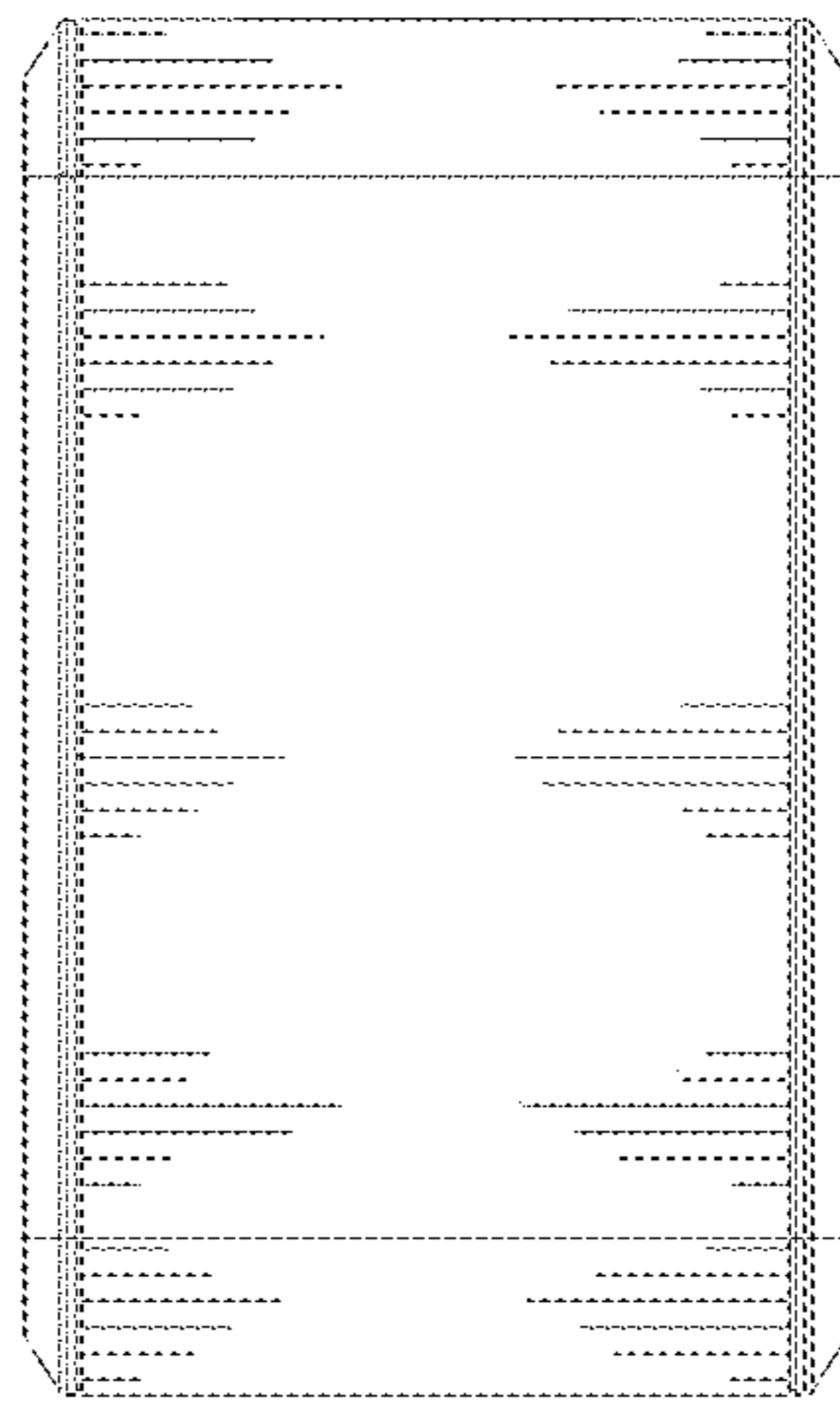


FIG.4

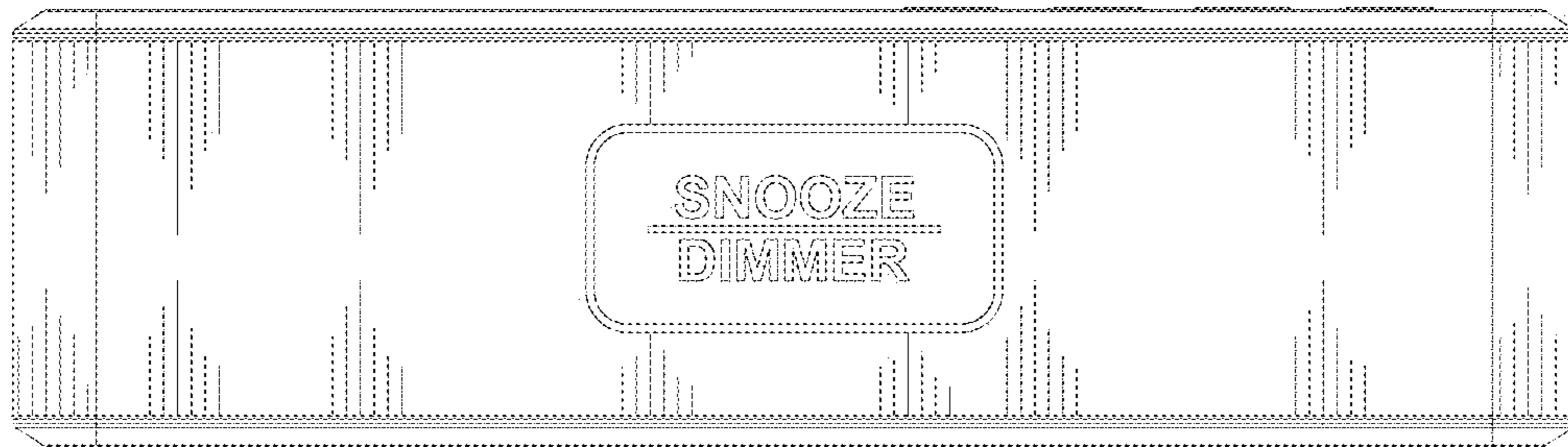


FIG.5

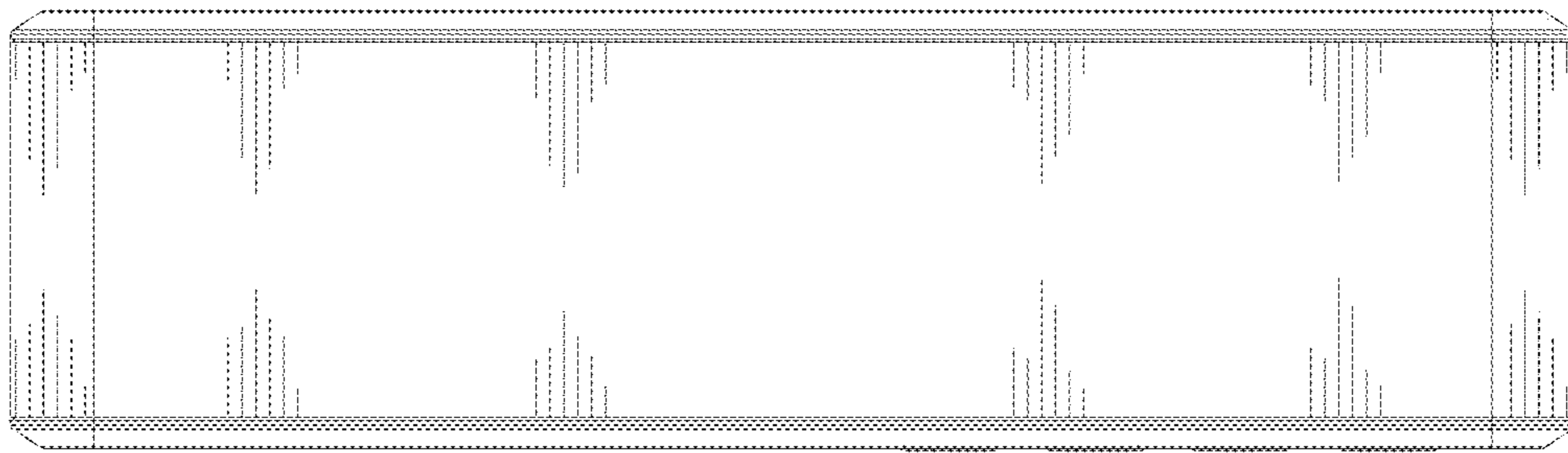


FIG.6



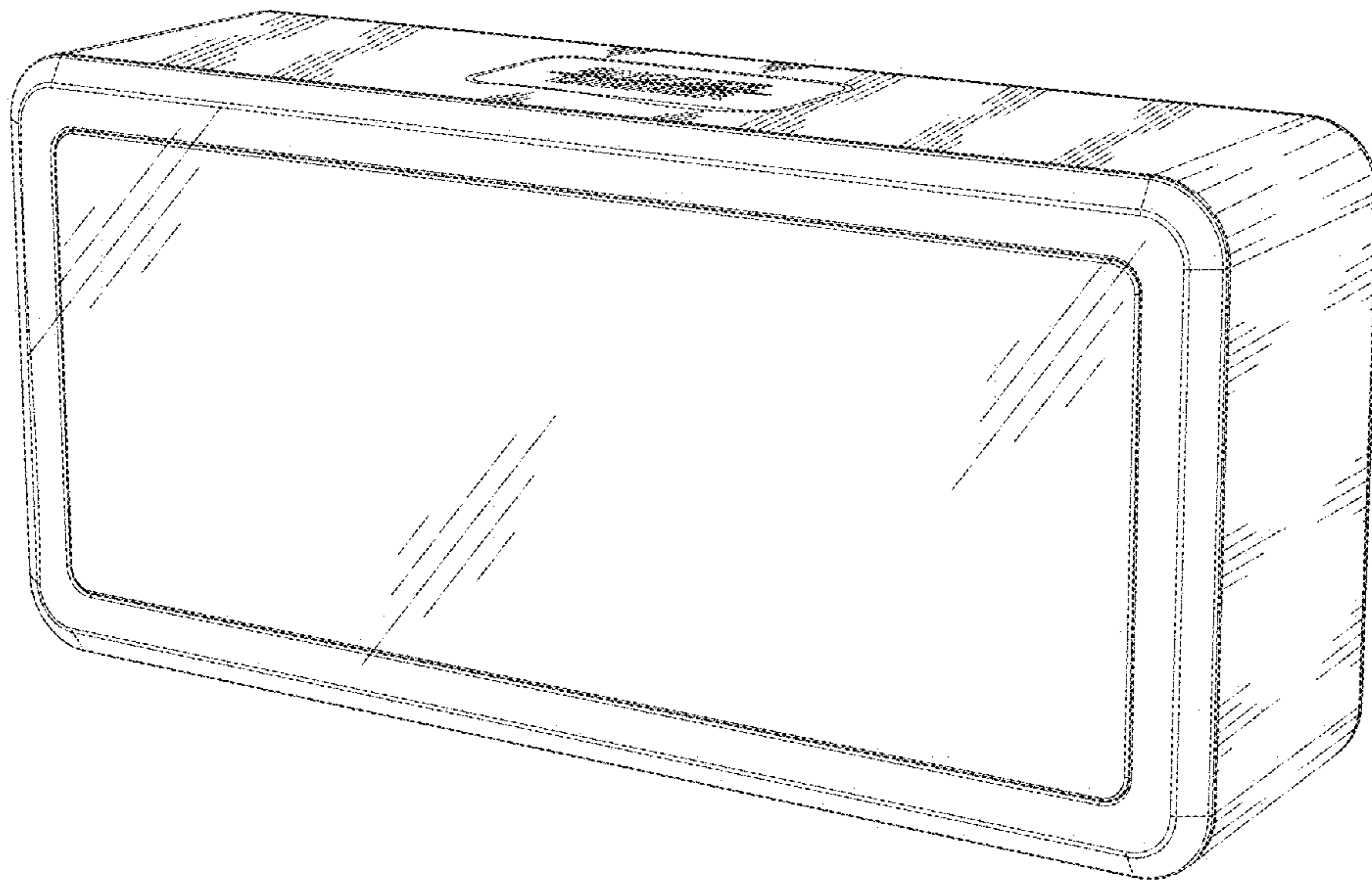


FIG.7