



US00D955894S

(12) **United States Design Patent**
Qiu

(10) **Patent No.:** **US D955,894 S**
(45) **Date of Patent:** **** Jun. 28, 2022**

- (54) **ELECTRONIC CLOCK**
- (71) Applicant: **Yuxin Qiu**, Guangxi (CN)
- (72) Inventor: **Yuxin Qiu**, Guangxi (CN)
- (**) Term: **15 Years**
- (21) Appl. No.: **29/755,840**
- (22) Filed: **Oct. 23, 2020**
- (51) **LOC (13) Cl.** **10-01**
- (52) **U.S. Cl.**
USPC **D10/3; D10/4; D10/15; D10/53**
- (58) **Field of Classification Search**
USPC D10/1-5, 15, 24-27, 52-53;
D14/170-172, 188
CPC G04G 17/00; G04G 17/005; G04G 17/08;
G04G 17/083; G04G 21/02; G04G
21/025
See application file for complete search history.

- D560,125 S * 1/2008 Choi D10/53
- D885,943 S * 6/2020 Yu D10/57
- D895,441 S * 9/2020 Yu D10/2
- D911,540 S * 2/2021 Li D24/210

OTHER PUBLICATIONS

ZeitHalter LCD Digital Alarm Clock Temperature Calendar | amazon.com; date first avail Sep. 2021 [online], © 1996-2022, Amazon.com, Inc [retrieved Feb. 11, 2022] from Internet: <https://www.amazon.com/dp/B08YRYPKFY> (Year: 2021).*

* cited by examiner

Primary Examiner — Katherine Glennon

(57) **CLAIM**

The ornamental design for an electronic clock, as shown and described.

DESCRIPTION

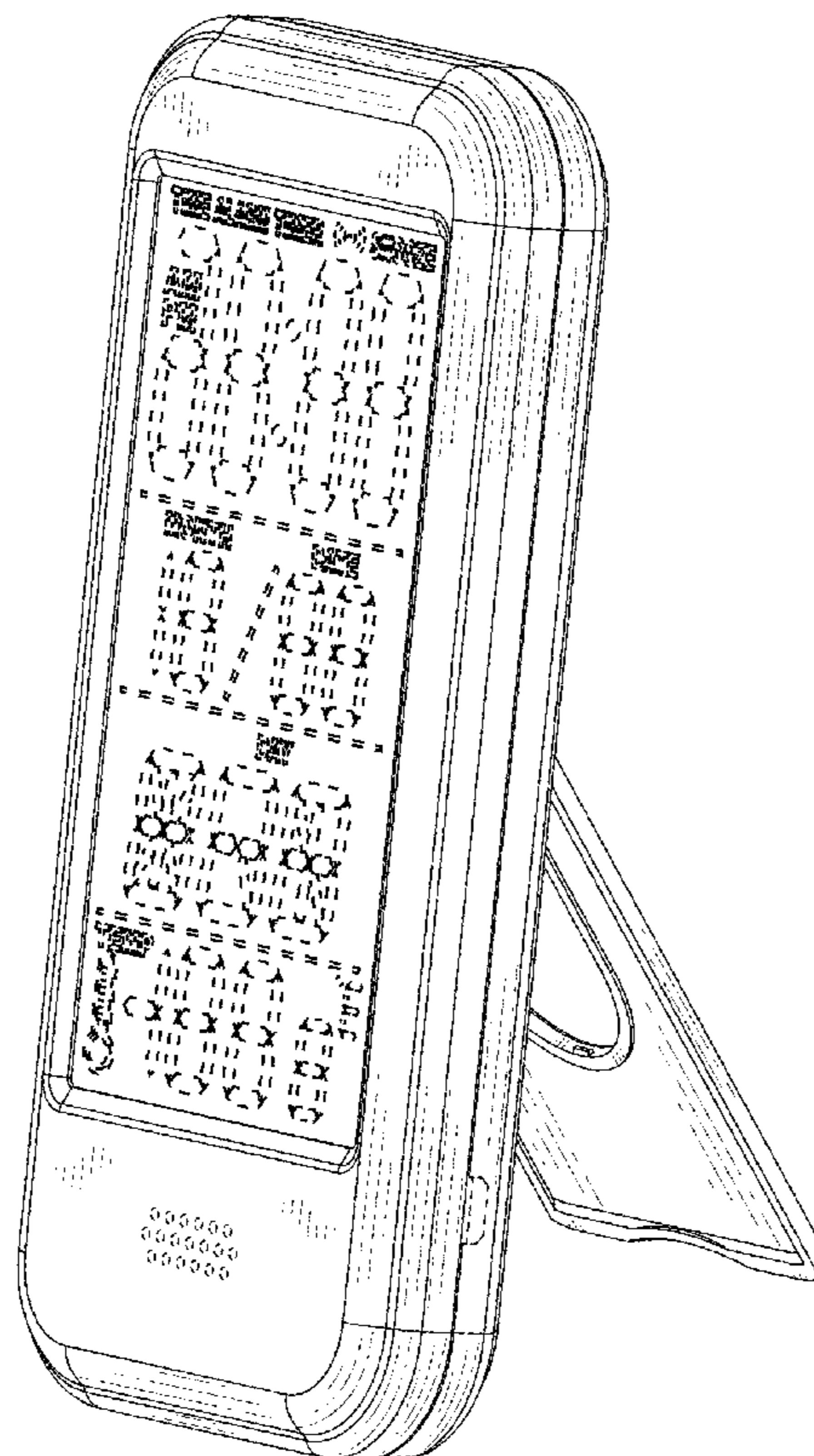
FIG. 1 is a perspective view of an electronic clock showing my new design;
FIG. 2 is a front elevational view thereof;
FIG. 3 is a rear elevational view thereof;
FIG. 4 is a left side elevational view thereof;
FIG. 5 is a right side elevational view thereof;
FIG. 6 is a top plan view thereof;
FIG. 7 is a bottom plan view thereof; and,
FIG. 8 is another perspective view thereof.
The broken lines throughout the drawing figures depict portions of the electronic clock that form no part of the claimed design.

1 Claim, 8 Drawing Sheets

(56) **References Cited**

U.S. PATENT DOCUMENTS

- D375,688 S * 11/1996 Hagadorn D10/15
- D413,812 S * 9/1999 Duke D10/18
- D442,496 S * 5/2001 Haupt D10/15
- D460,364 S * 7/2002 Chan D10/52
- D466,418 S * 12/2002 Kwok D10/15
- D505,338 S * 5/2005 Li D10/2
- D522,881 S * 6/2006 Tien D10/3
- D527,279 S * 8/2006 Wong D10/3
- D532,709 S * 11/2006 McCormick D10/53



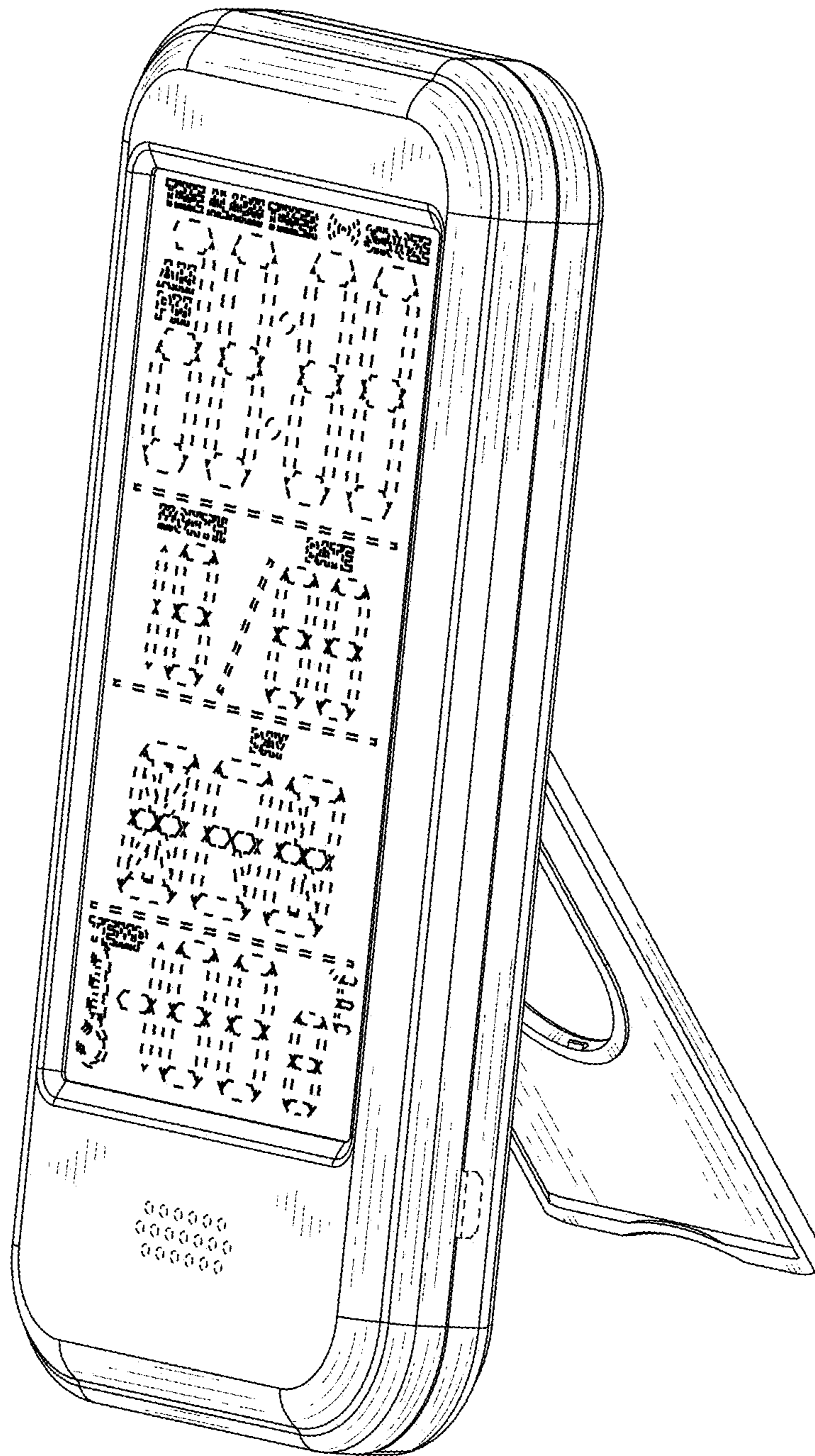


FIG.1

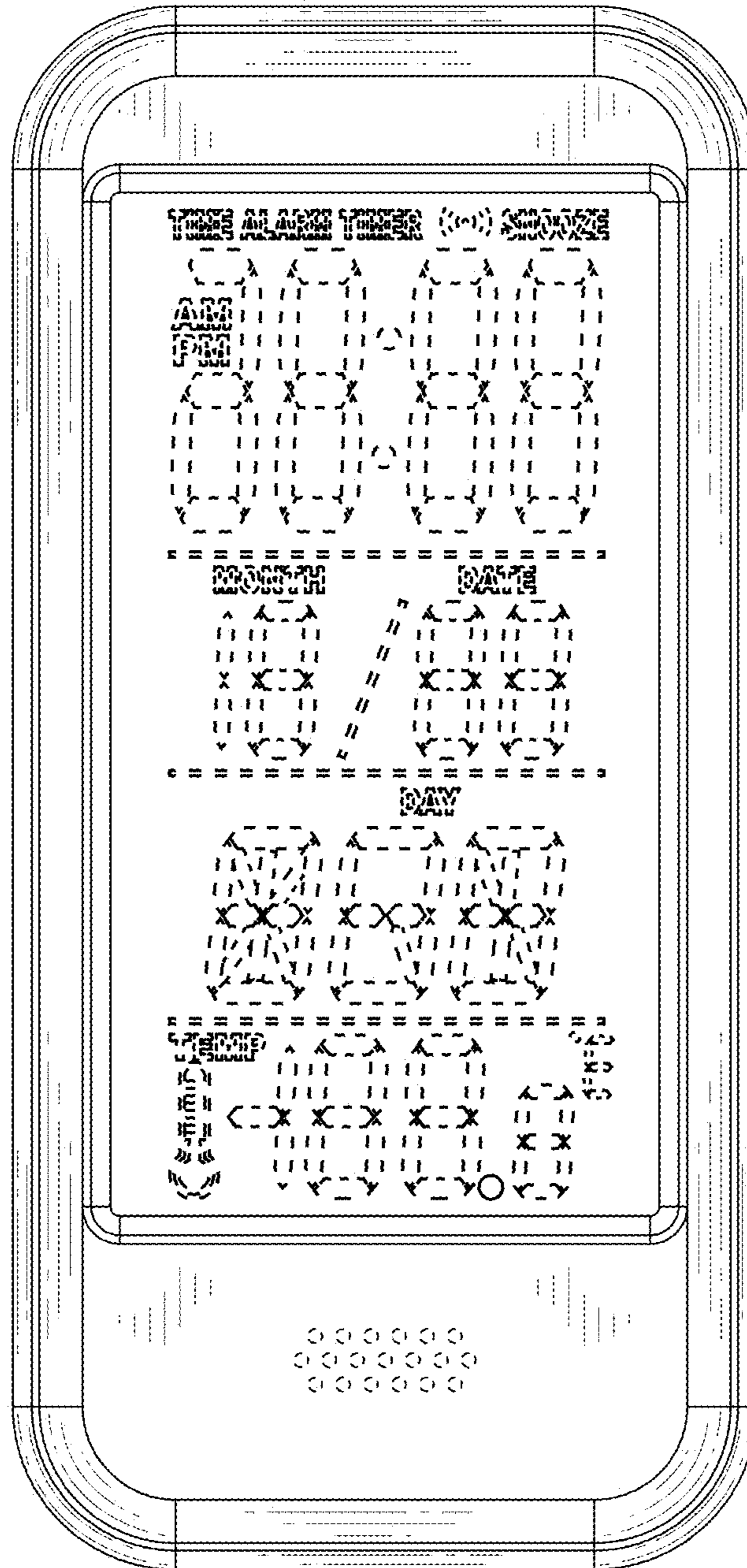


FIG.2

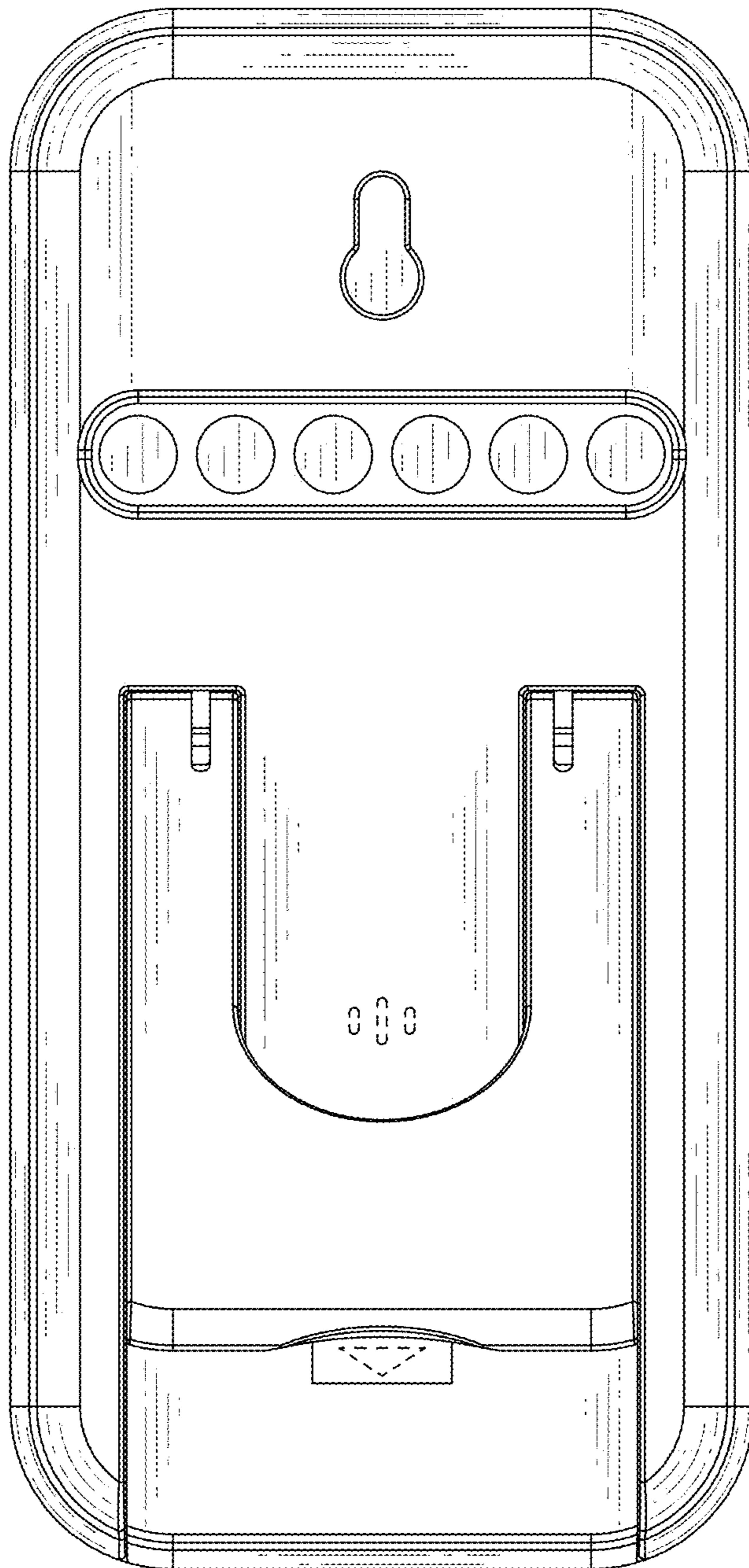


FIG.3

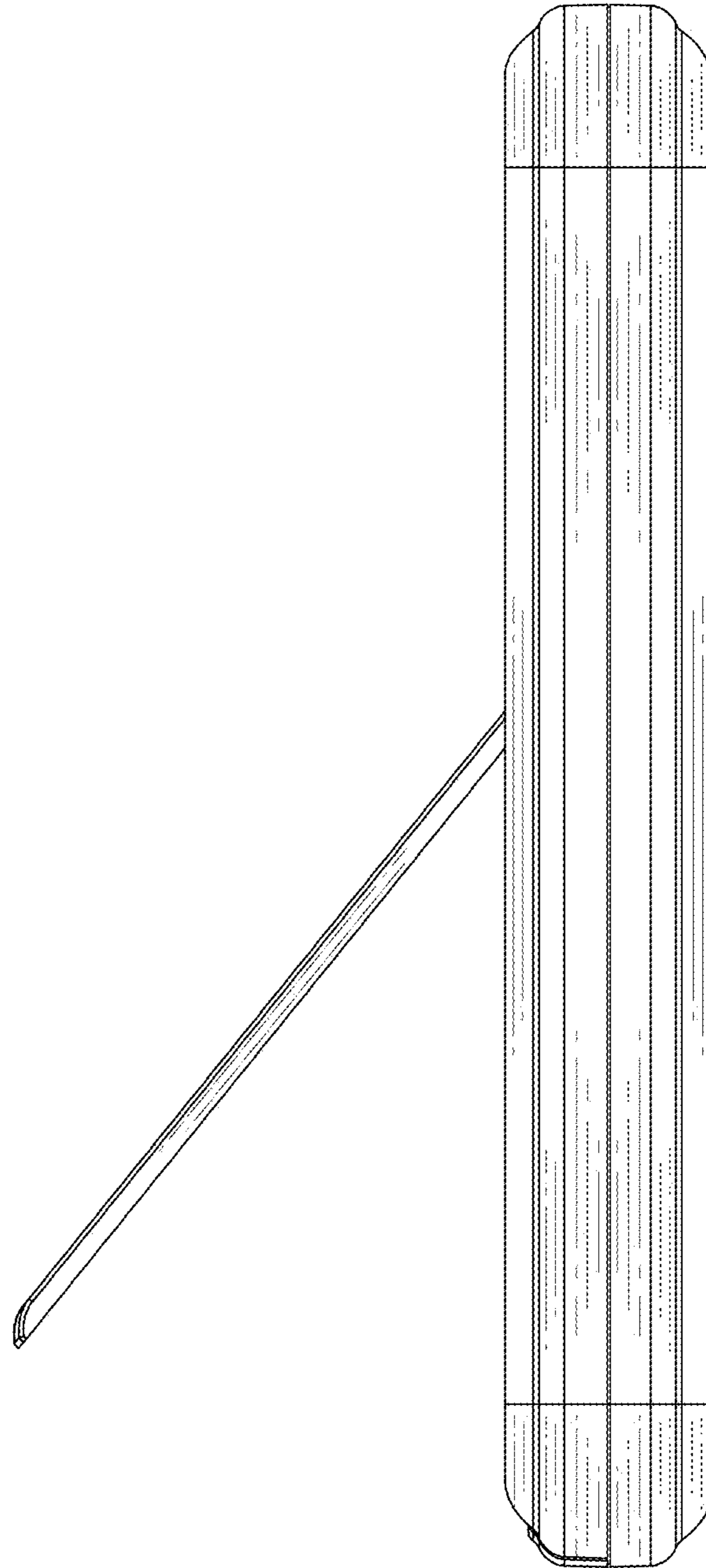


FIG. 4

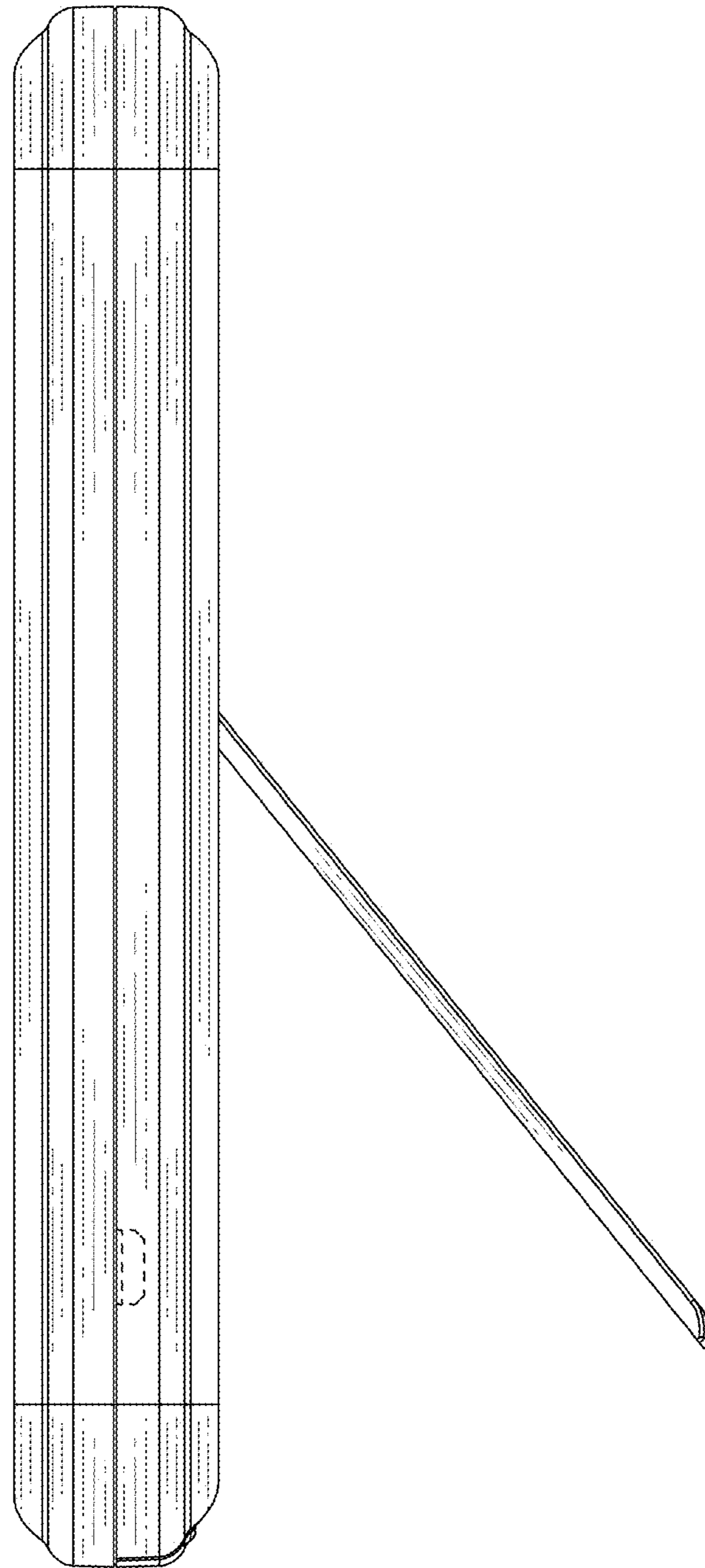


FIG.5

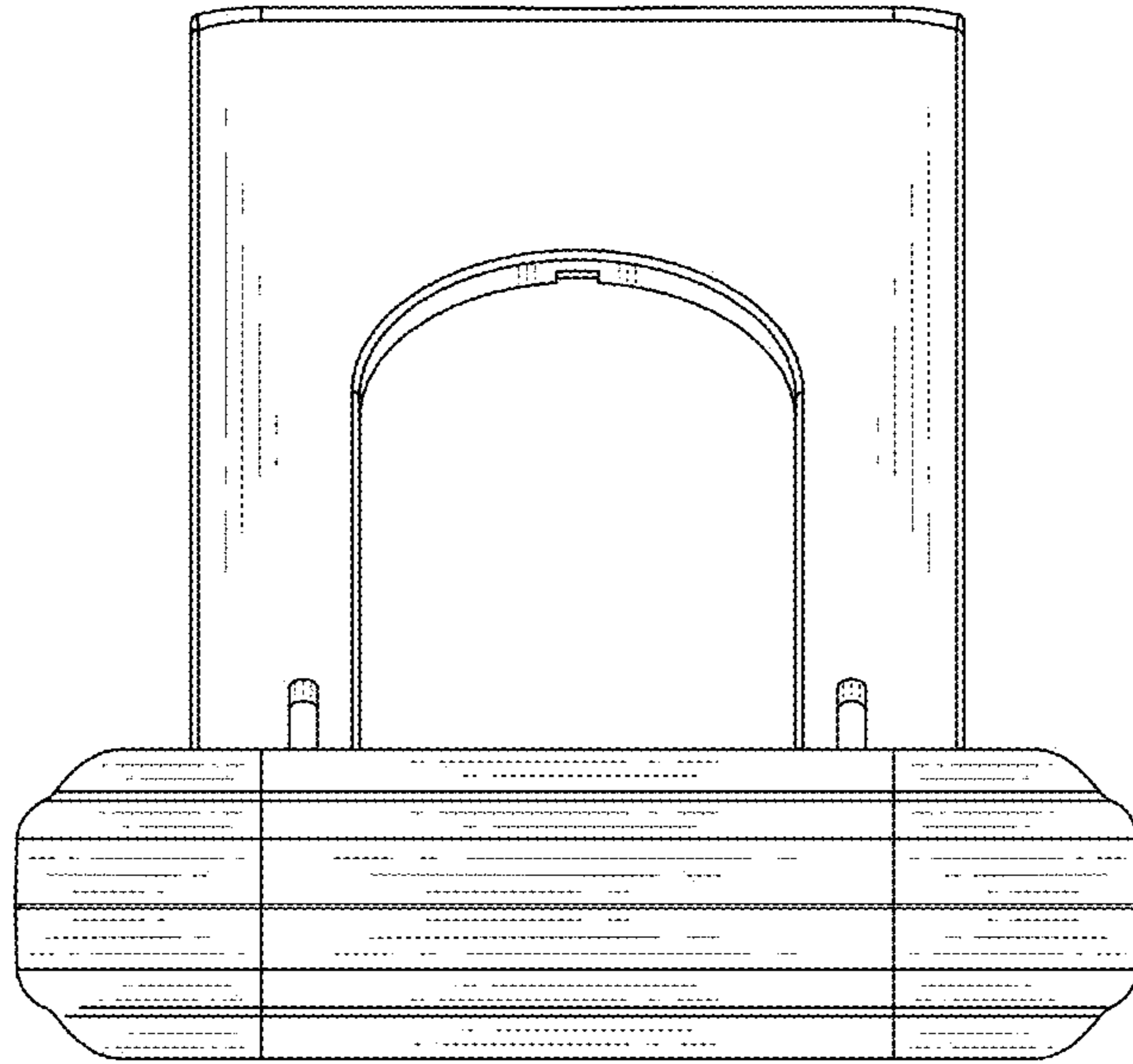


FIG.6

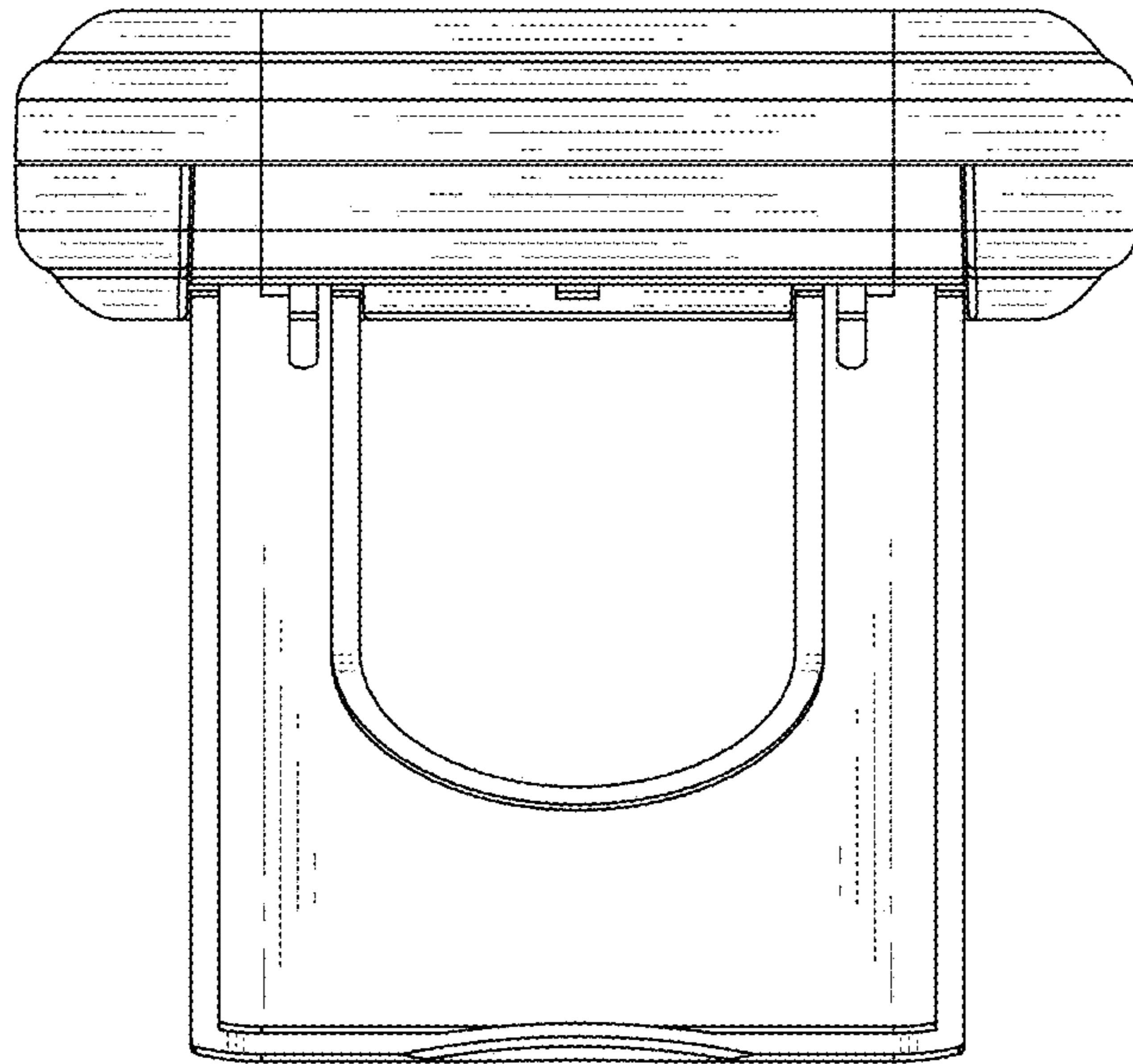


FIG.7

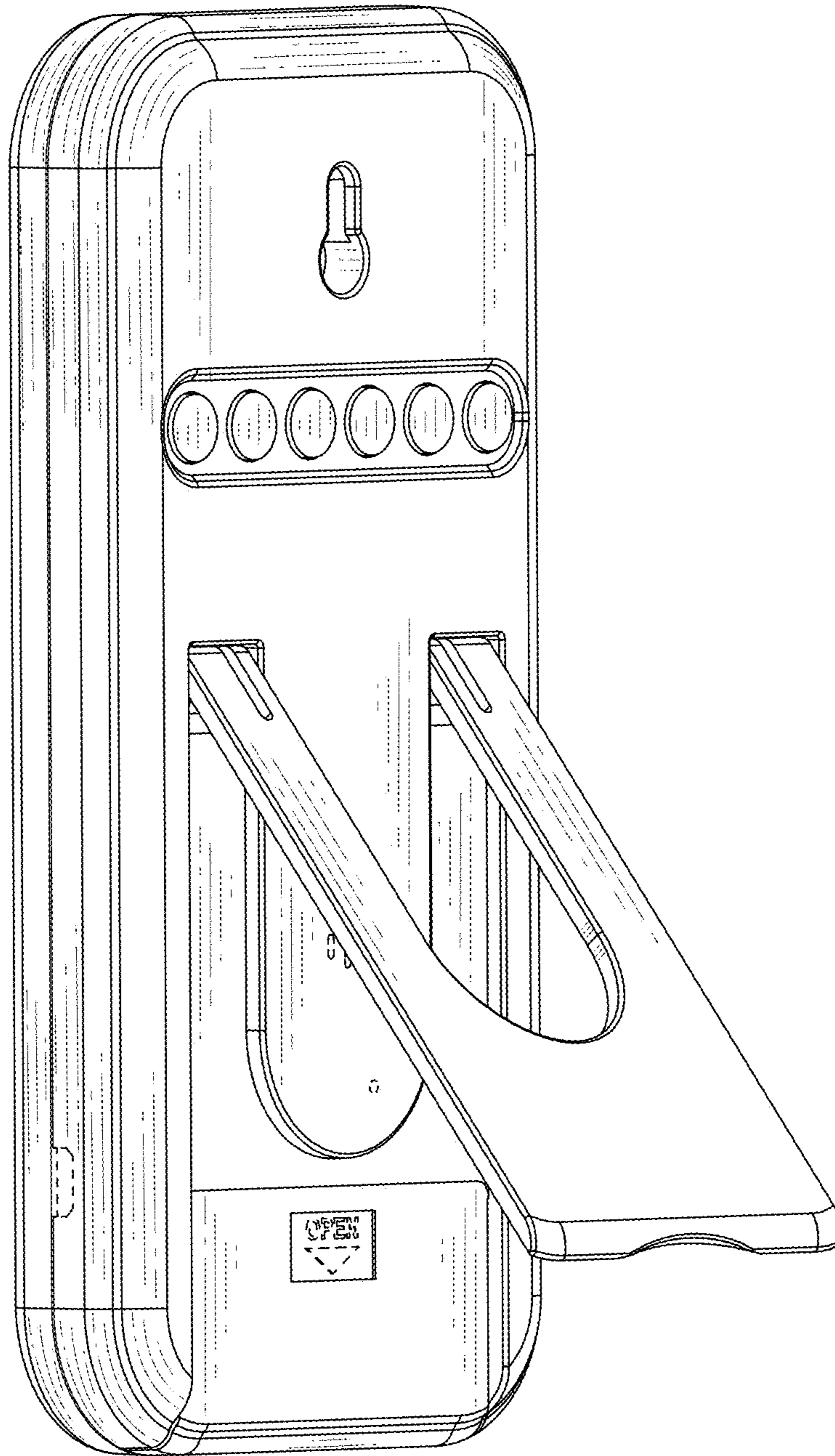


FIG.8