



US00D955888S

(12) **United States Design Patent**
Garcia

(10) **Patent No.:** **US D955,888 S**

(45) **Date of Patent:** **** Jun. 28, 2022**

(54) **PIZZA SLICE CONTAINER**

D903,506 S * 12/2020 Na D9/712
D929,239 S * 8/2021 Caiaffa D9/712

(71) Applicant: **Crecenciano Garcia**, Yonkers, NY
(US)

* cited by examiner

(72) Inventor: **Crecenciano Garcia**, Yonkers, NY
(US)

Primary Examiner — Abraham Bahta

(74) *Attorney, Agent, or Firm* — Albert Bordas, P.A.

(**) Term: **15 Years**

(57) **CLAIM**

The ornamental design for a pizza slice container, as shown and described.

(21) Appl. No.: **29/766,702**

DESCRIPTION

(22) Filed: **Jan. 18, 2021**

(51) **LOC (13) Cl.** **09-05**

(52) **U.S. Cl.**
USPC **D9/712**

(58) **Field of Classification Search**
USPC D9/709, 430-433, 414-416, 423, 426,
D9/428; 206/525, 457, 557; 229/68.1,
229/87.05, 87.08, 107-108, 111, 115,
229/116.2, 123.3, 126, 129.1, 221, 223,
229/224, 238, 902-906, 924-926, 938;
283/116; D7/601, 602, 629

See application file for complete search history.

FIG. 1 is a right-side view of a pizza slice container, the left-side view being a mirror image thereof;
FIG. 2 is a top view thereof, the bottom view being a mirror image thereof;

FIG. 3 is a front view thereof;

FIG. 4 is a rear view thereof;

FIG. 5 is a front isomeric view thereof; the rear end being elevated at an angle;

FIG. 6 is a front isometric view of the pizza slice container;
FIG. 7 is the front isometric view thereof, with one of the front flaps and one of the rear flaps cooperatively bended to cover the front and rear openings.

FIG. 8 is the front isometric view shown in FIG. 7, with both front flaps and both rear flaps cooperatively bended to completely close the front and rear openings.

FIG. 9 is a right-side view thereof, with both front flaps and both rear flaps cooperatively bended to completely close the front and rear openings; and,

FIG. 10 is a top view thereof, with both front flaps and both rear flaps cooperatively bended to completely close the front and rear openings.

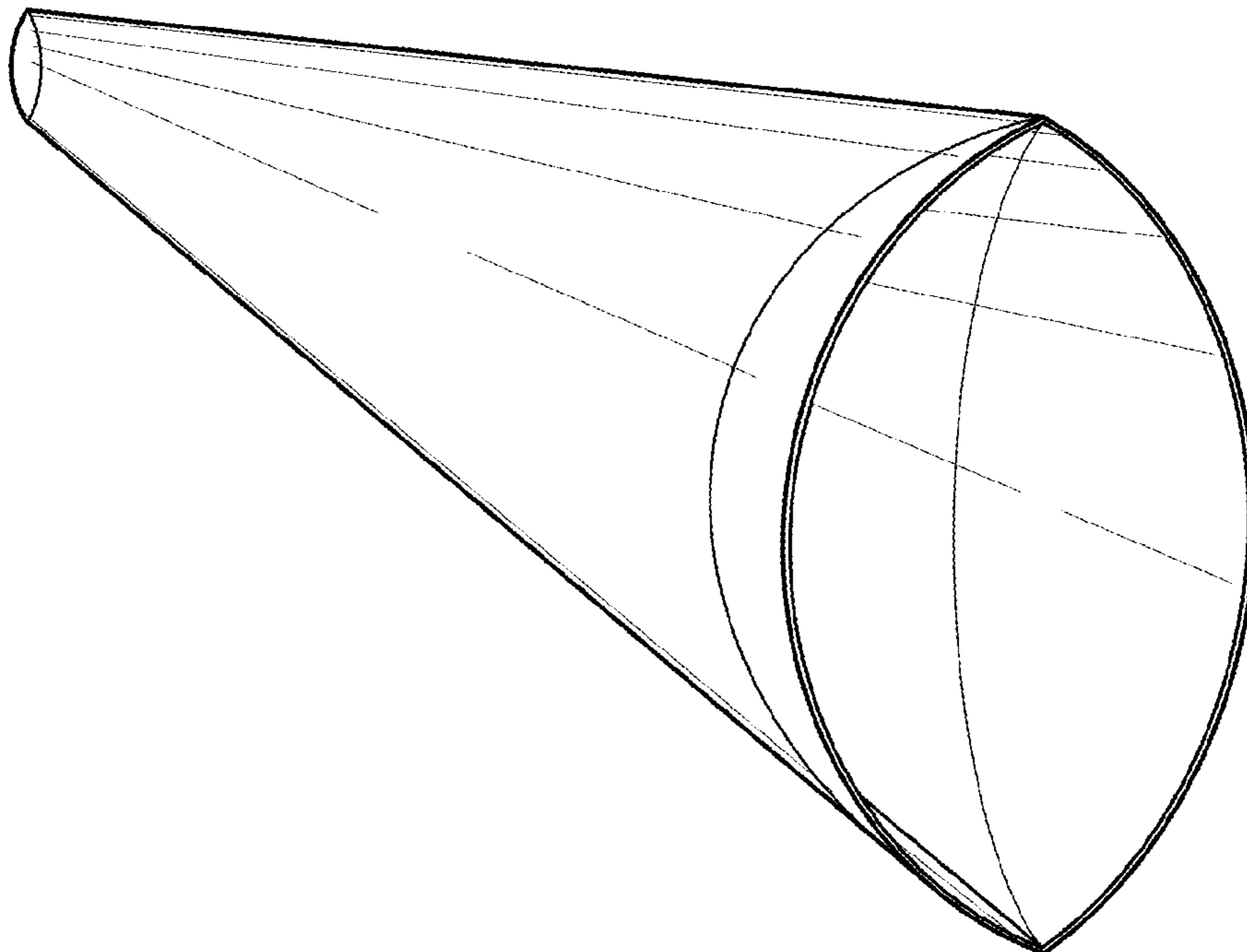
The broken lines represent environmental structure and form no part of the claimed design.

(56) **References Cited**

U.S. PATENT DOCUMENTS

D356,028 S *	3/1995	Weder	D9/712
D436,312 S *	1/2001	Denbraver	D9/712
D572,603 S *	7/2008	Josephs	D9/709
D583,256 S *	12/2008	Rothstein	D9/709
D596,022 S *	7/2009	van den Berg	D9/416
D610,468 S *	2/2010	Rothstein	D9/709
8,449,186 B2 *	5/2013	Bray B65D 33/2508	383/69
D811,240 S *	2/2018	Goto	D9/712
D839,102 S *	1/2019	Boyd	D9/709

1 Claim, 4 Drawing Sheets



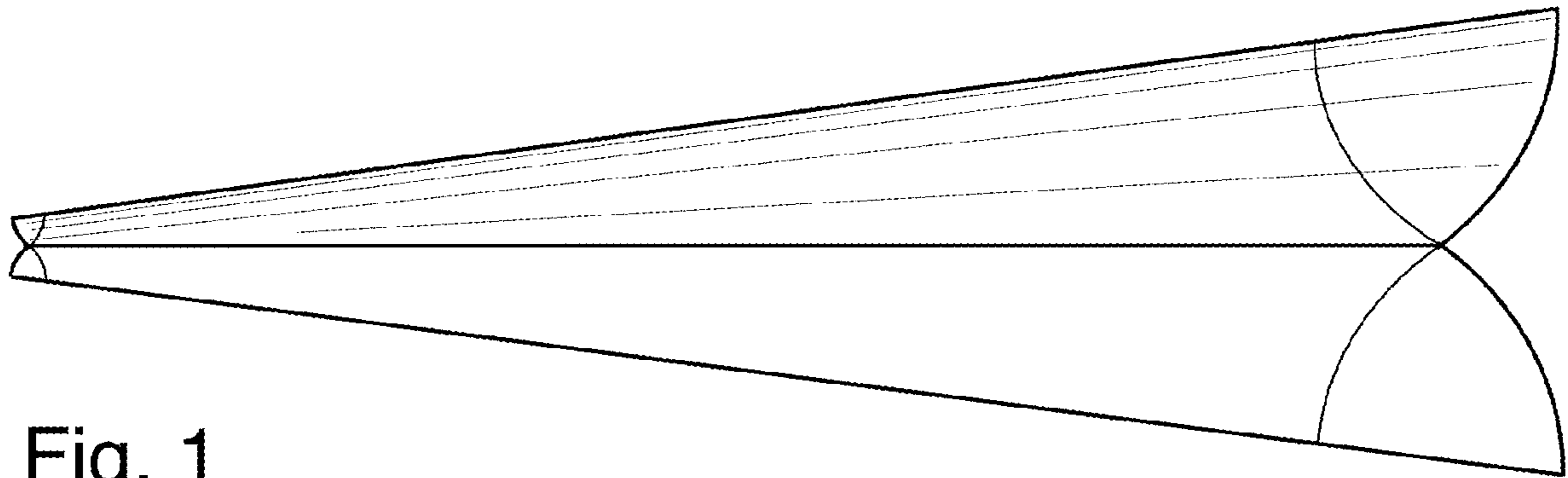


Fig. 1

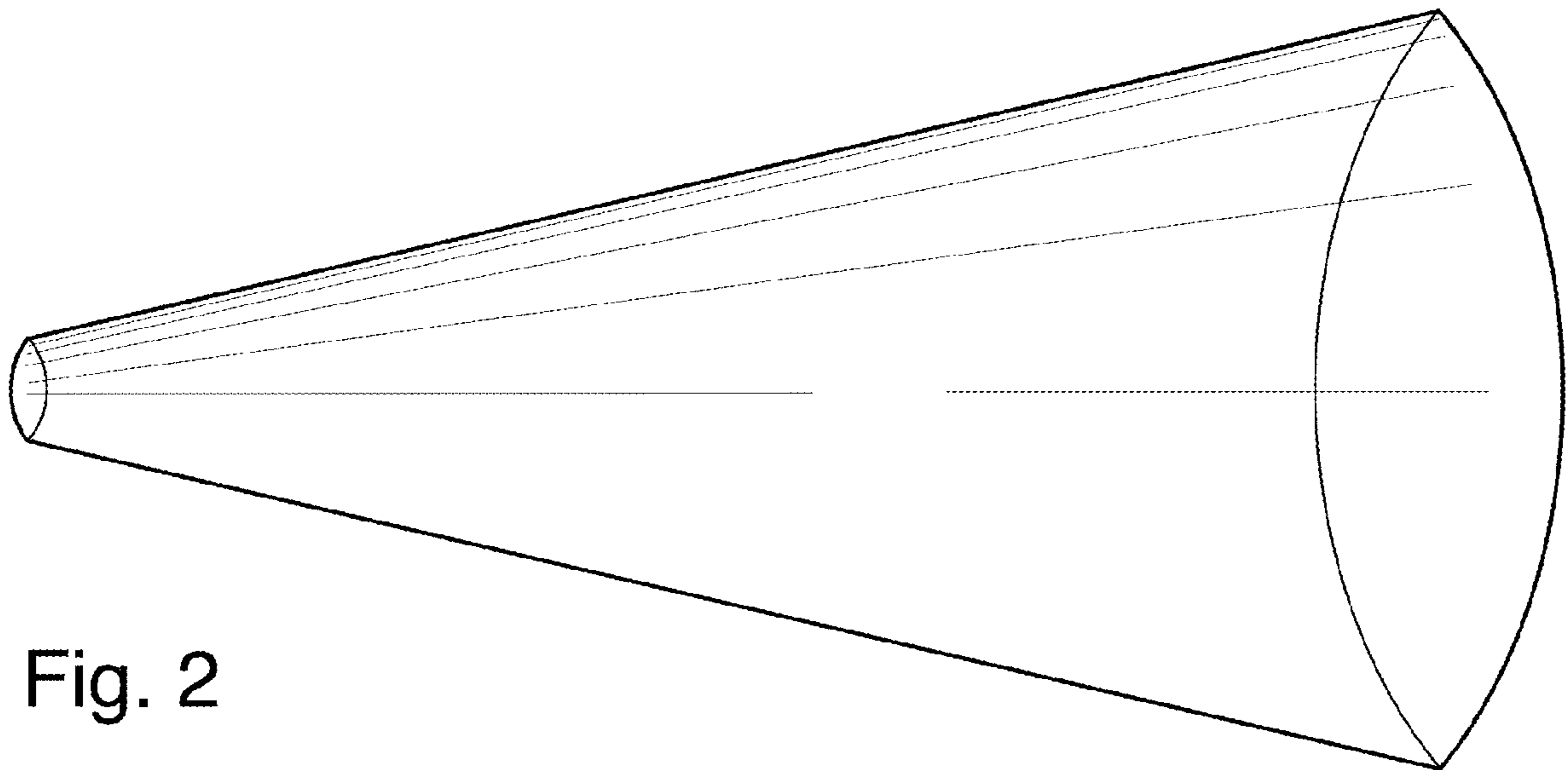


Fig. 2

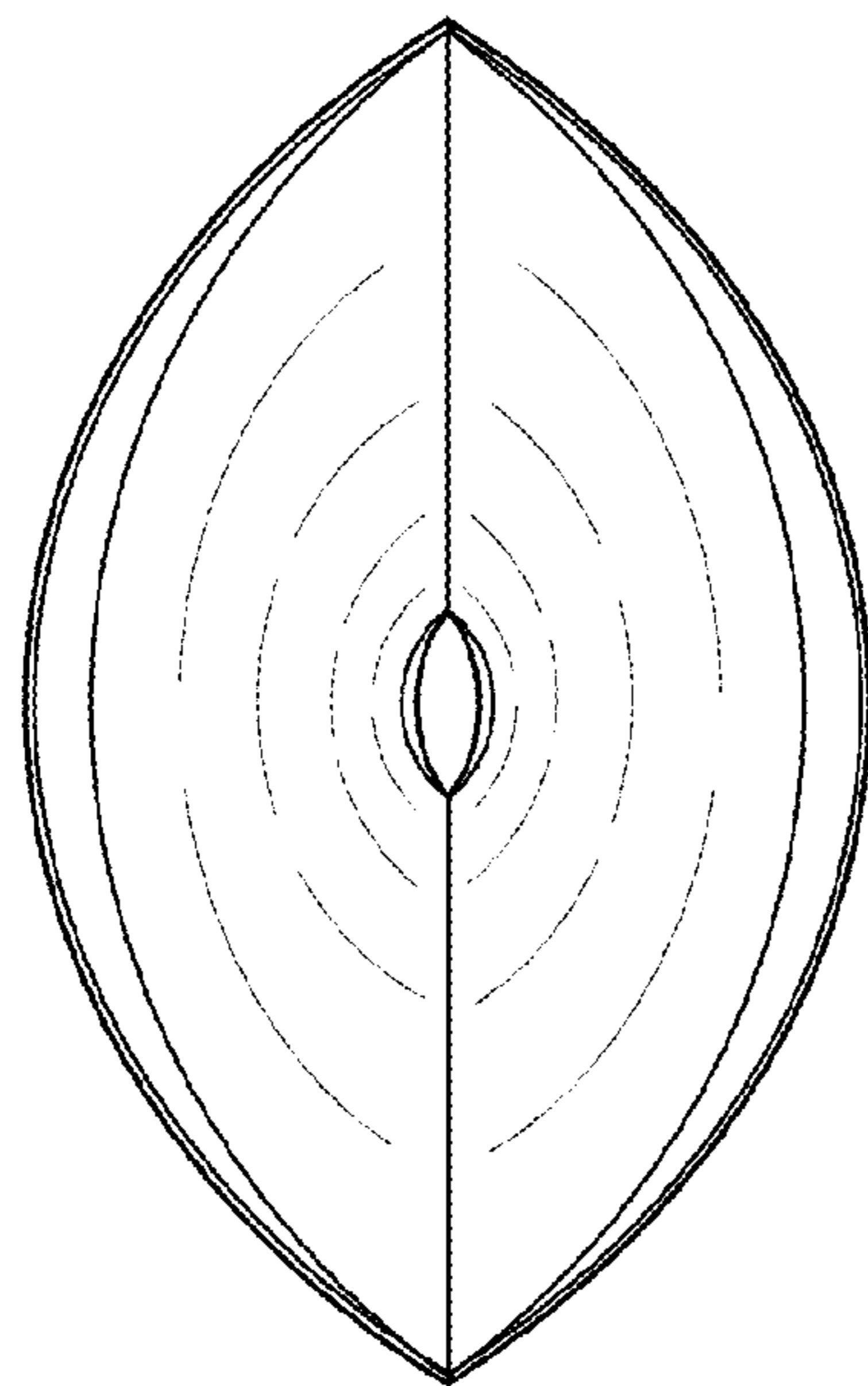


Fig. 3

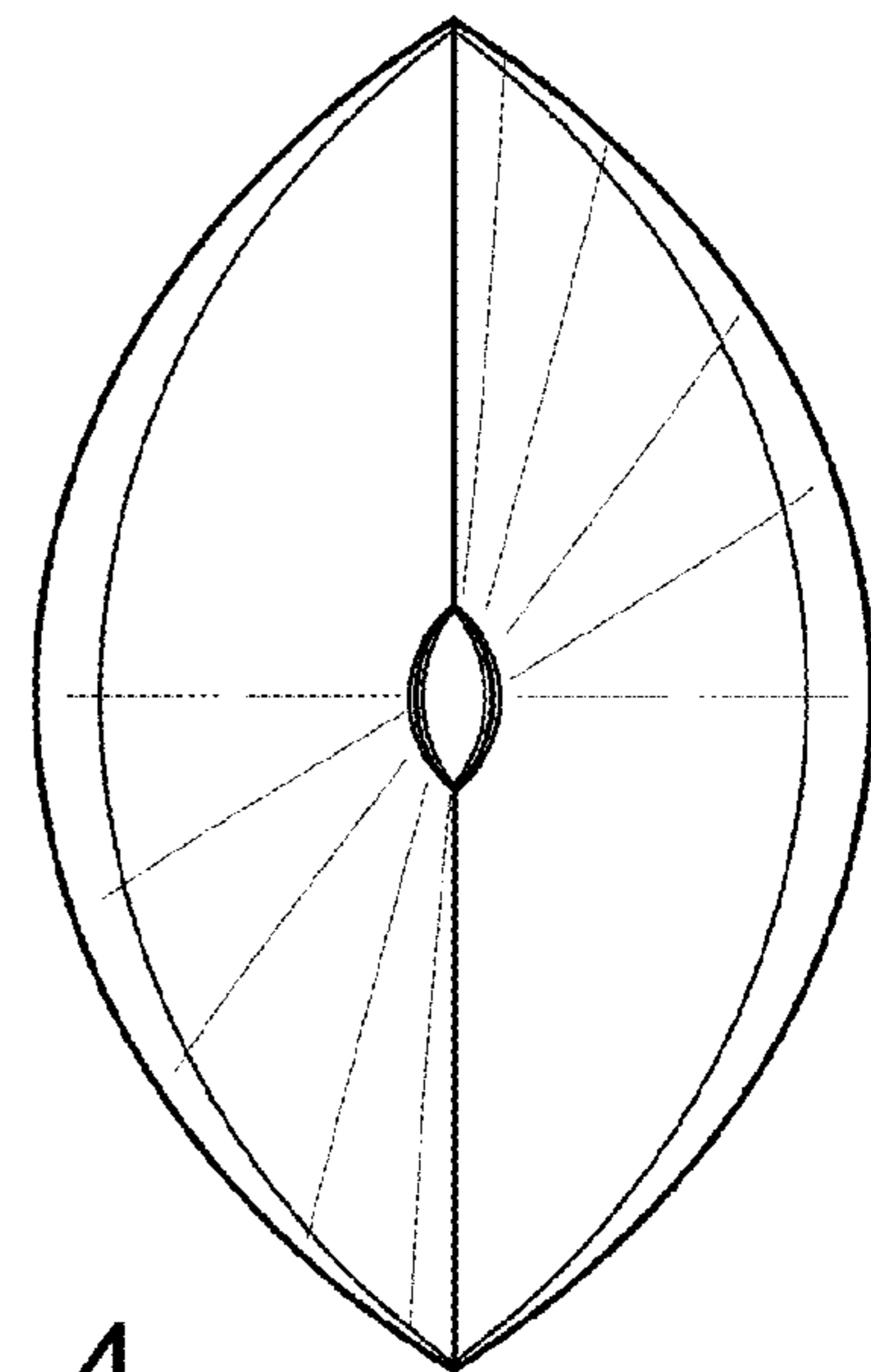


Fig. 4

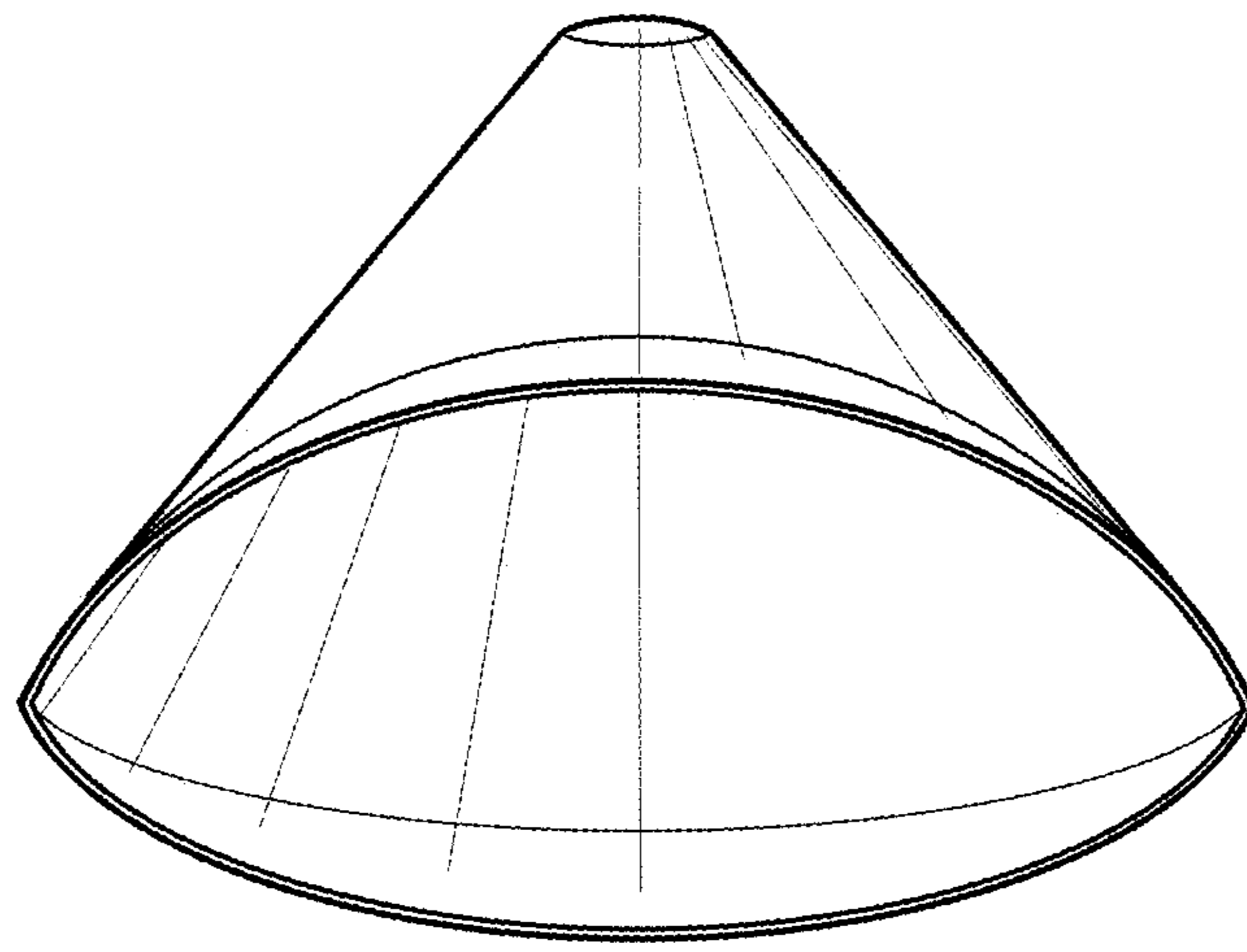


Fig. 5

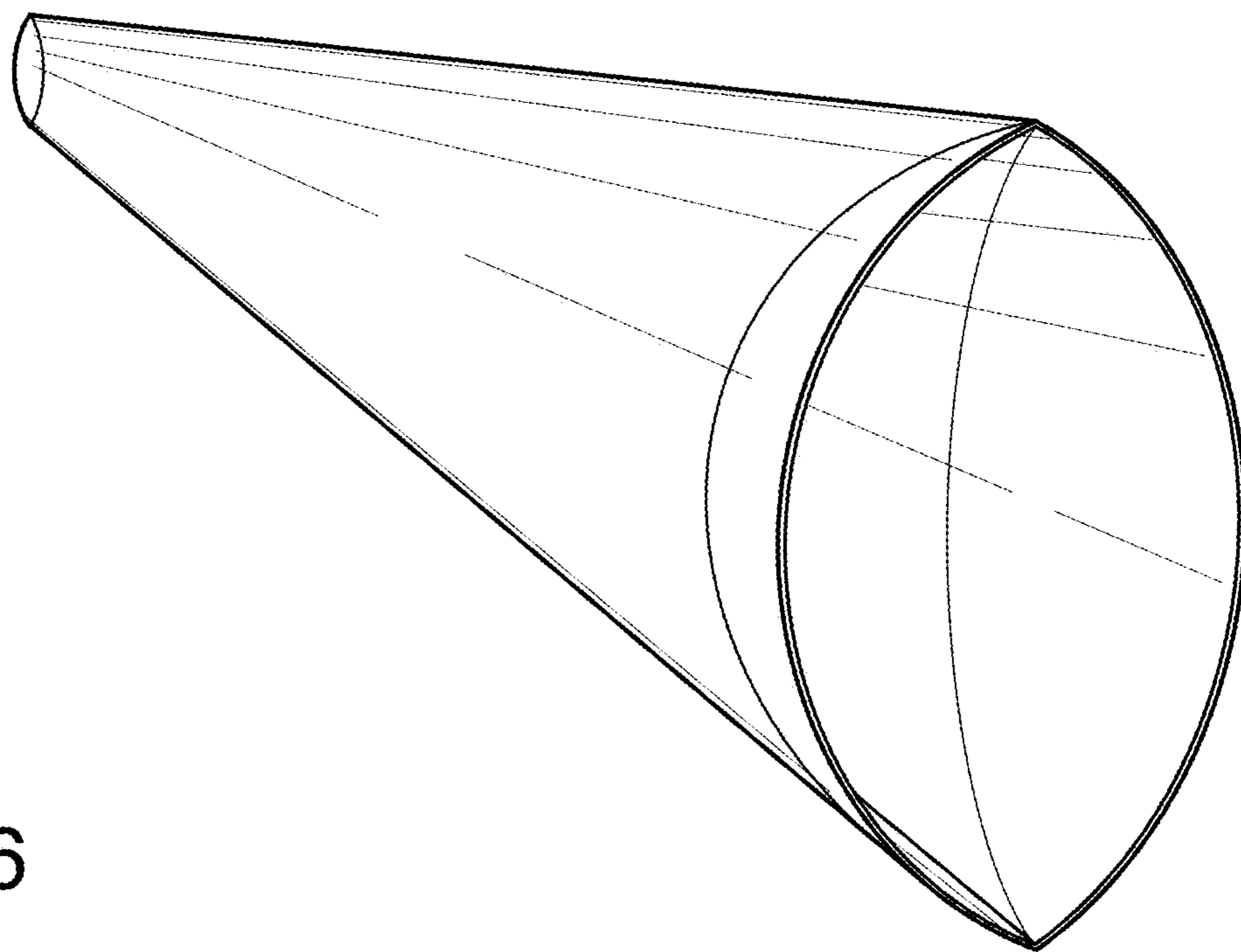


Fig. 6

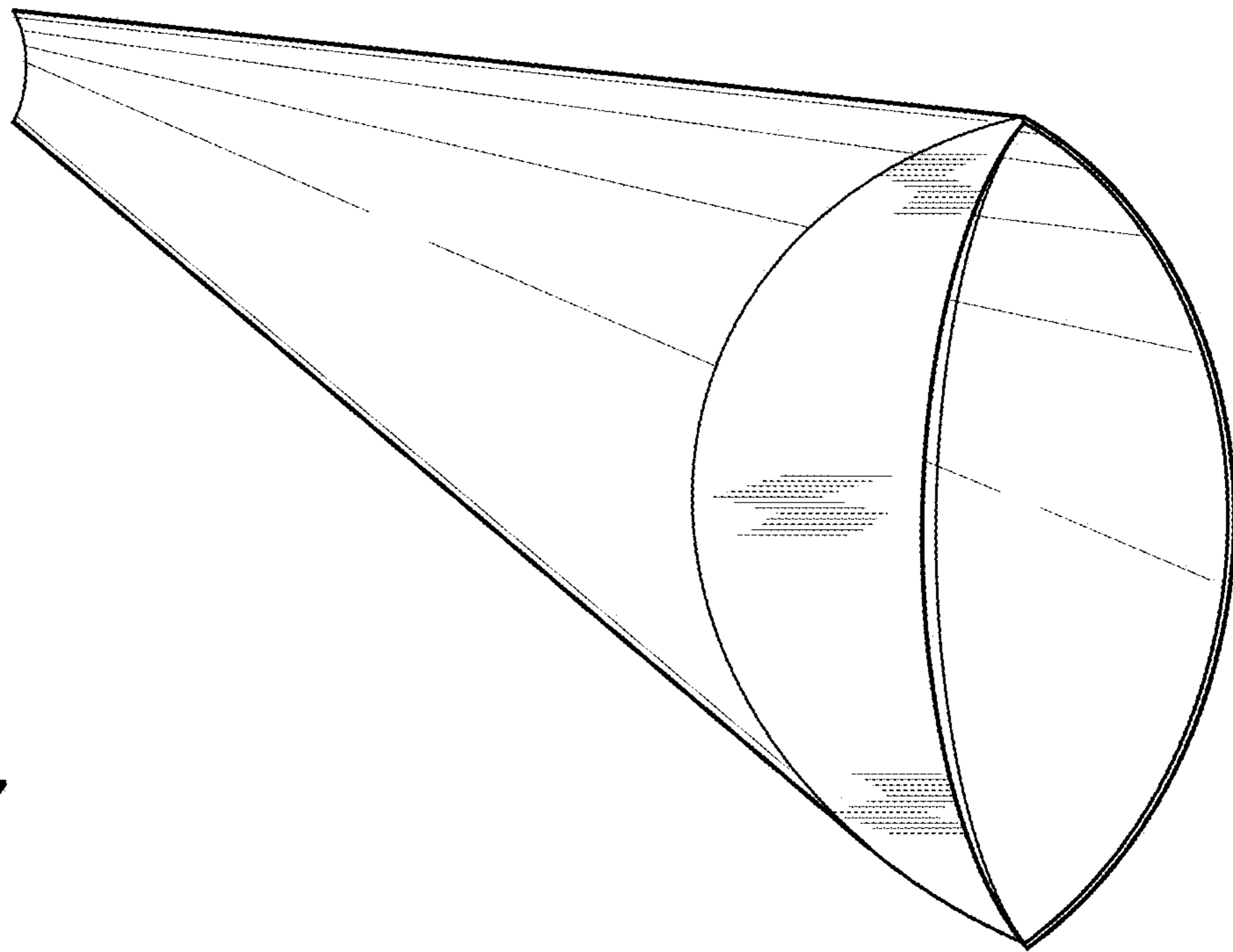


Fig. 7

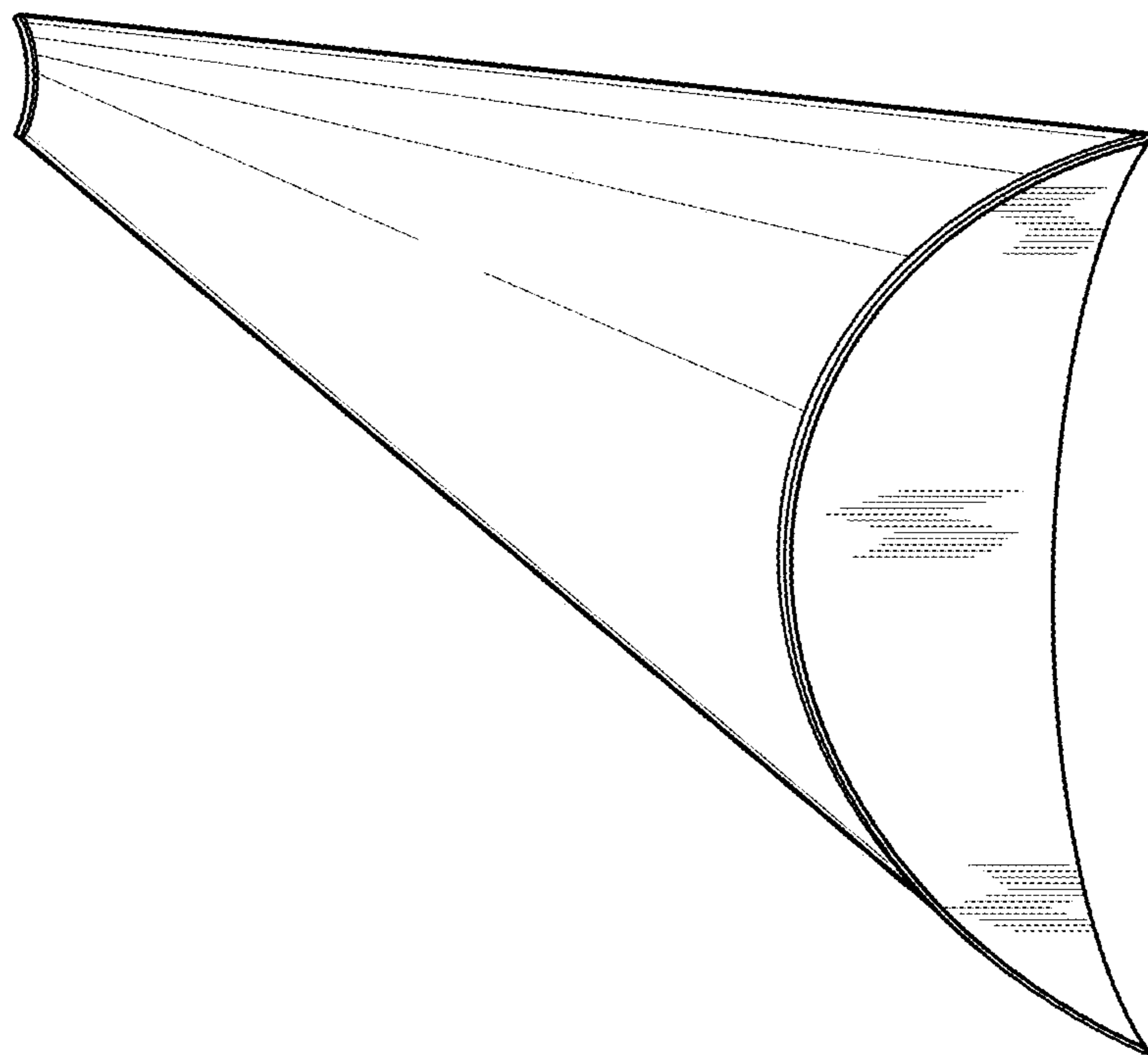


Fig. 8

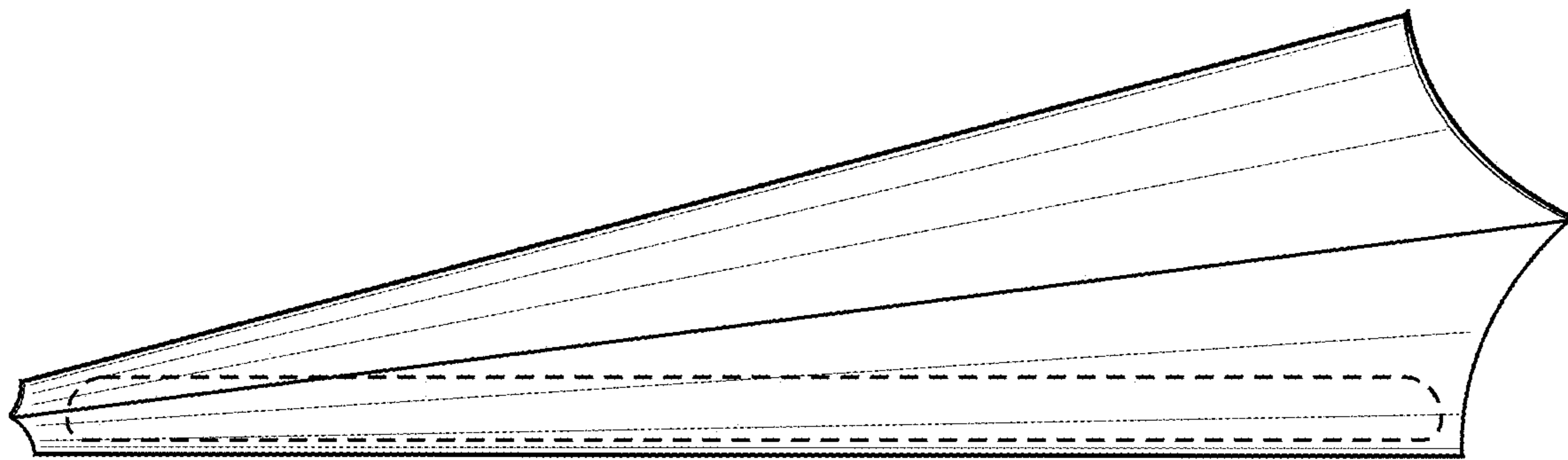


Fig. 9

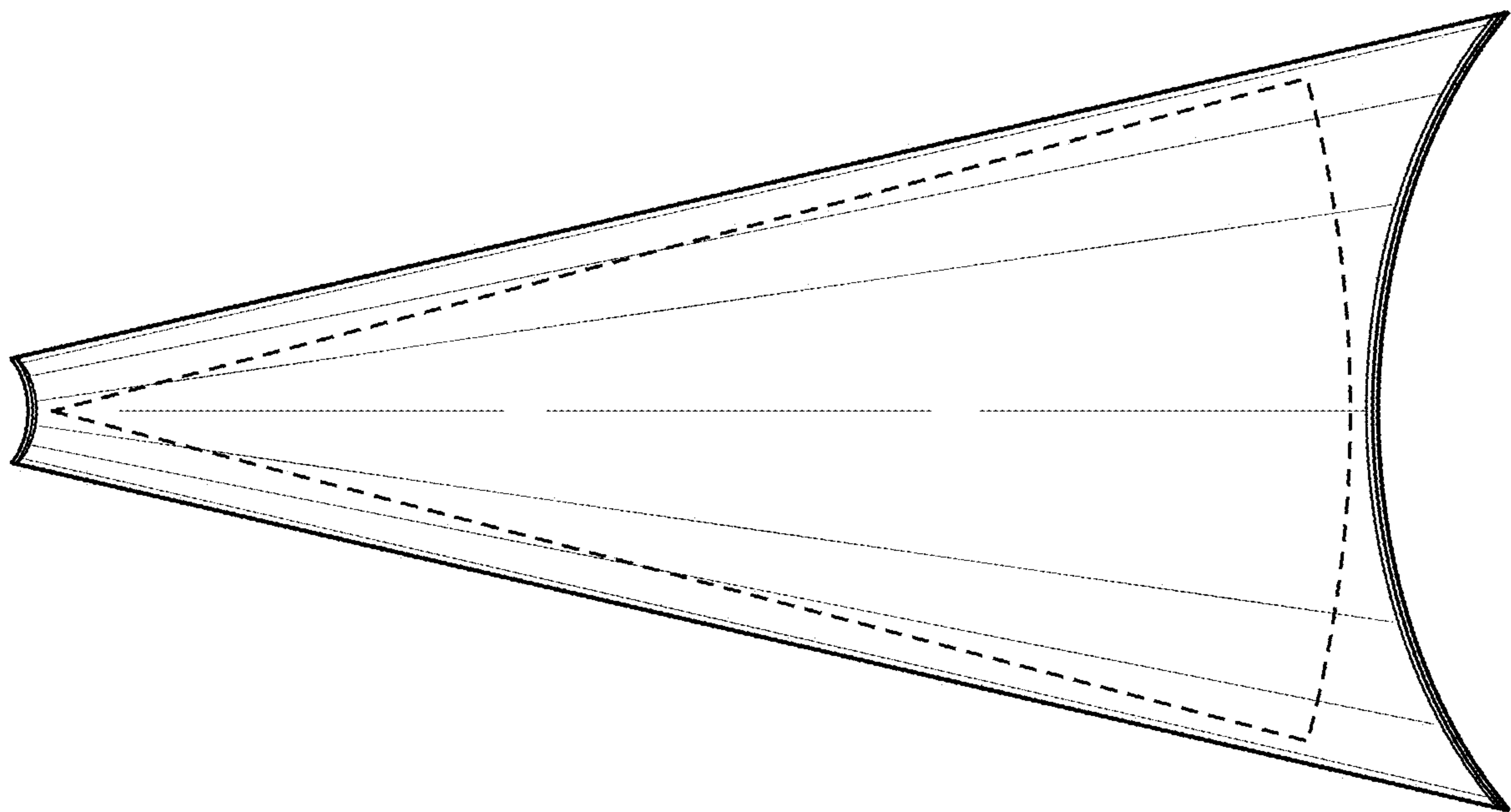


Fig. 10