



US00D955885S

(12) **United States Design Patent** (10) **Patent No.:** **US D955,885 S**  
**Kelley et al.** (45) **Date of Patent:** **\*\* \*Jun. 28, 2022**

(54) **CONTAINER**

(71) Applicant: **Ring Container Technologies, LLC**,  
Oakland, TN (US)

(72) Inventors: **Paul Vincent Kelley**, Arlington, TN  
(US); **Christopher Marcum**, Cordova,  
TN (US); **Douglas Miles Dygert**, Olive  
Branch, MS (US)

(73) Assignee: **RING CONTAINER  
TECHNOLOGIES, LLC**, Oakland,  
TN (US)

(\*) Notice: This patent is subject to a terminal dis-  
claimer.

(\*\*) Term: **15 Years**

(21) Appl. No.: **29/713,427**

(22) Filed: **Nov. 15, 2019**

(51) **LOC (13) Cl.** ..... **09-01**

(52) **U.S. Cl.**  
USPC ..... **D9/560; D9/563; D9/574**

(58) **Field of Classification Search**  
USPC ..... D9/516, 520, 544, 559, 560, 563-568,  
D9/574, 715, 719; D7/598, 526, 530,  
D7/601, 602, 605, 612, 613  
CPC .. B65D 11/10; B65D 1/18; B65D 2501/0081;  
B65D 11/04; B65D 1/0223; A45D 34/00;  
A47K 5/12  
See application file for complete search history.

(56) **References Cited**

**U.S. PATENT DOCUMENTS**

D426,161 S \* 6/2000 Hestehave ..... D9/520  
D495,603 S \* 9/2004 Walsh ..... D9/522

D607,743 S \* 1/2010 Eble ..... D9/559  
D701,769 S \* 4/2014 Eble ..... D9/560  
D751,916 S \* 3/2016 Dygert ..... D9/563  
D760,088 S \* 6/2016 Kaye ..... D9/560  
D835,512 S \* 12/2018 Sterling ..... D9/528  
D855,473 S \* 8/2019 Liu ..... D9/563  
D856,089 S \* 8/2019 Veness ..... D7/615  
D856,153 S \* 8/2019 Liu ..... D9/563  
D856,154 S \* 8/2019 Liu ..... D9/563  
D894,007 S \* 8/2020 Eble ..... D9/563  
D899,938 S \* 10/2020 Shmueli ..... D9/563

\* cited by examiner

*Primary Examiner* — Catherine S Posthauer

(74) *Attorney, Agent, or Firm* — Sorell, Lenna &  
Schmidt, LLP

(57) **CLAIM**

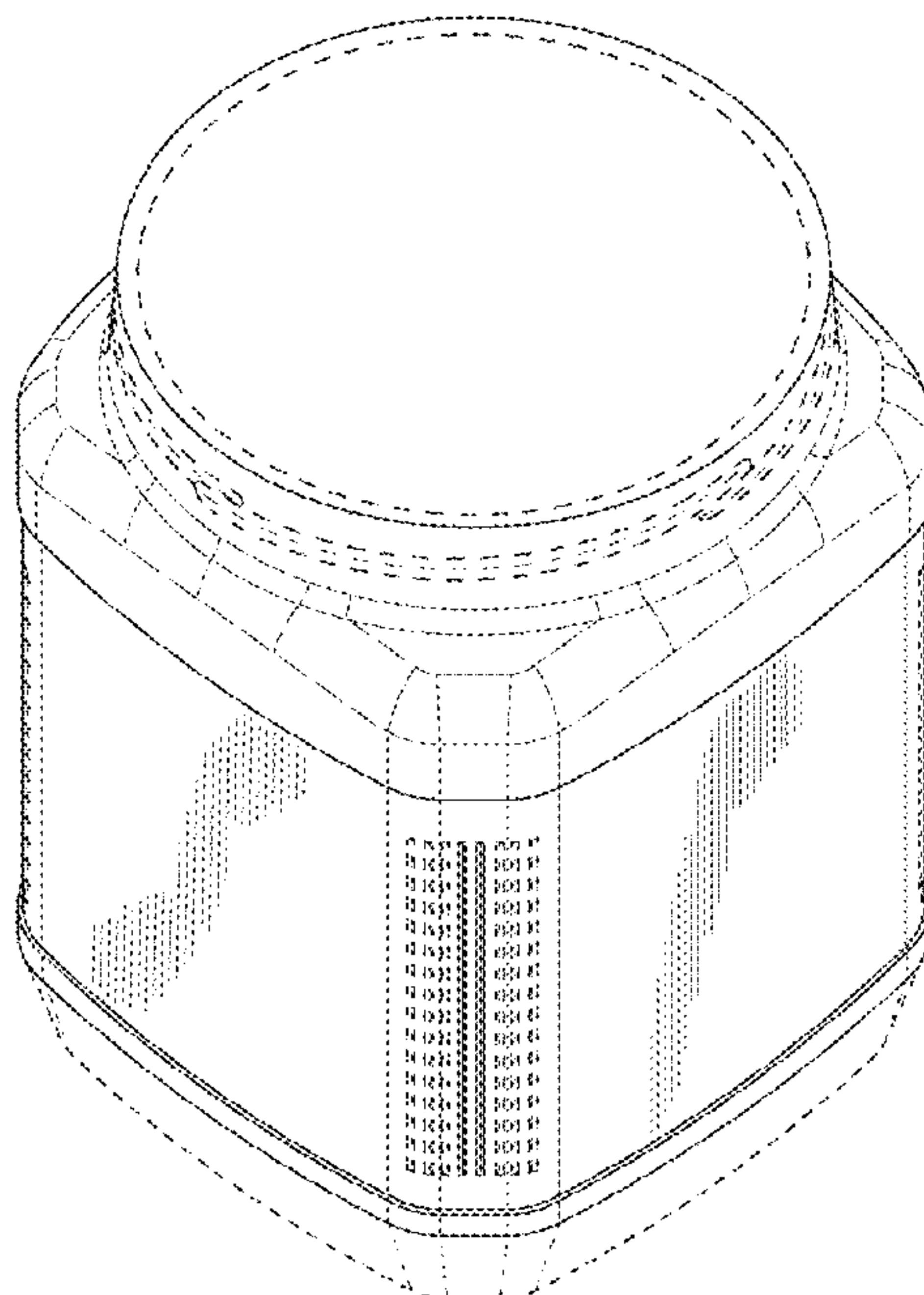
The ornamental design for a container, as shown and  
described.

**DESCRIPTION**

FIG. 1 is a perspective view of a container;  
FIG. 2 is a side view of the container;  
FIG. 3 is a side view of the container;  
FIG. 4 is a rear view of the container;  
FIG. 5 is a front view of the container;  
FIG. 6 is a top view of the container;  
FIG. 7 is a bottom view of the container; and,  
FIG. 8 is a cross sectional view in the direction of line 8-8  
of FIG. 4 thereof.

The broken lines in the drawings showing the container  
illustrate the portions of the container that form no part of  
the claimed design.

**1 Claim, 8 Drawing Sheets**



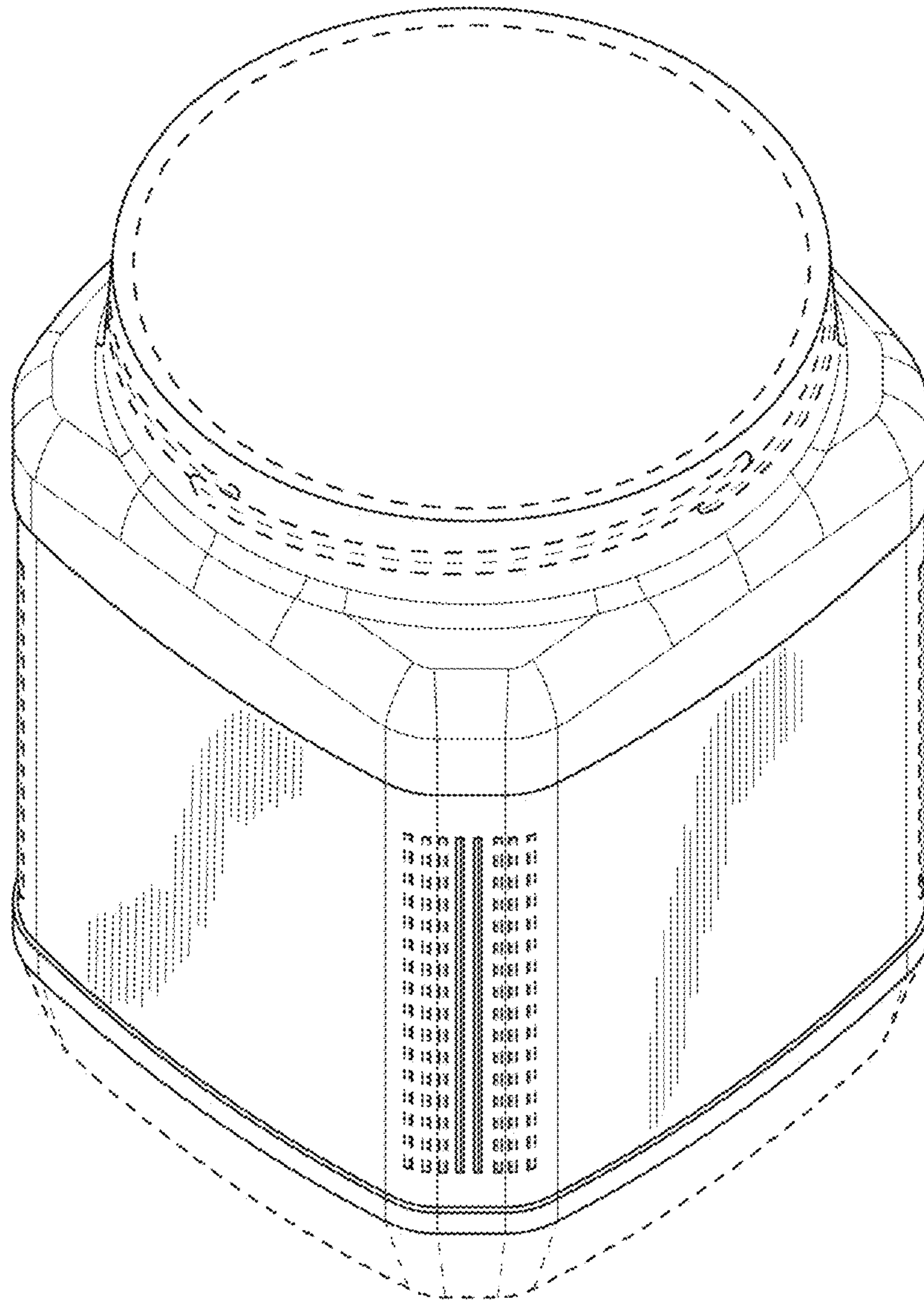


FIG. 1

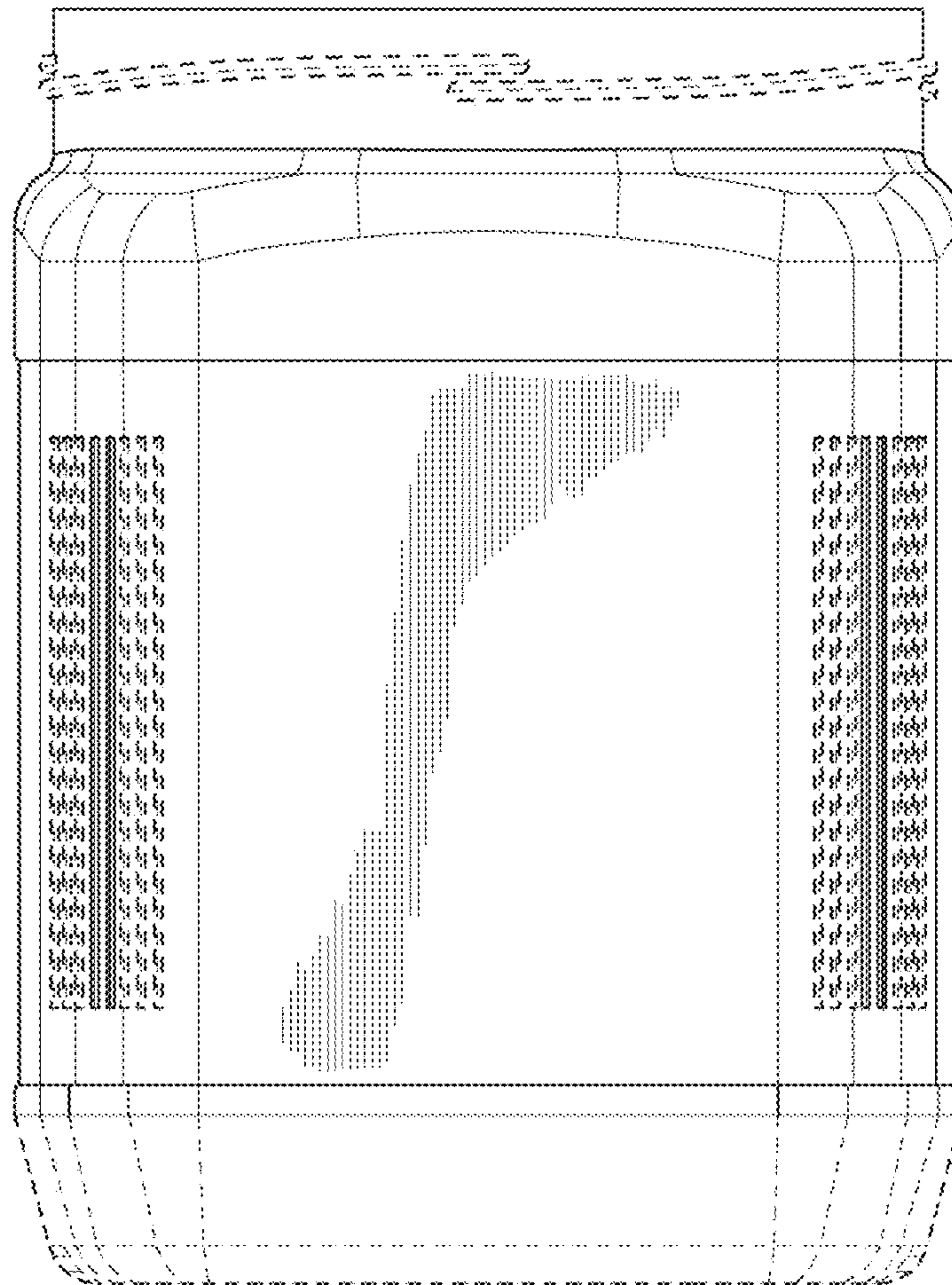


FIG. 2



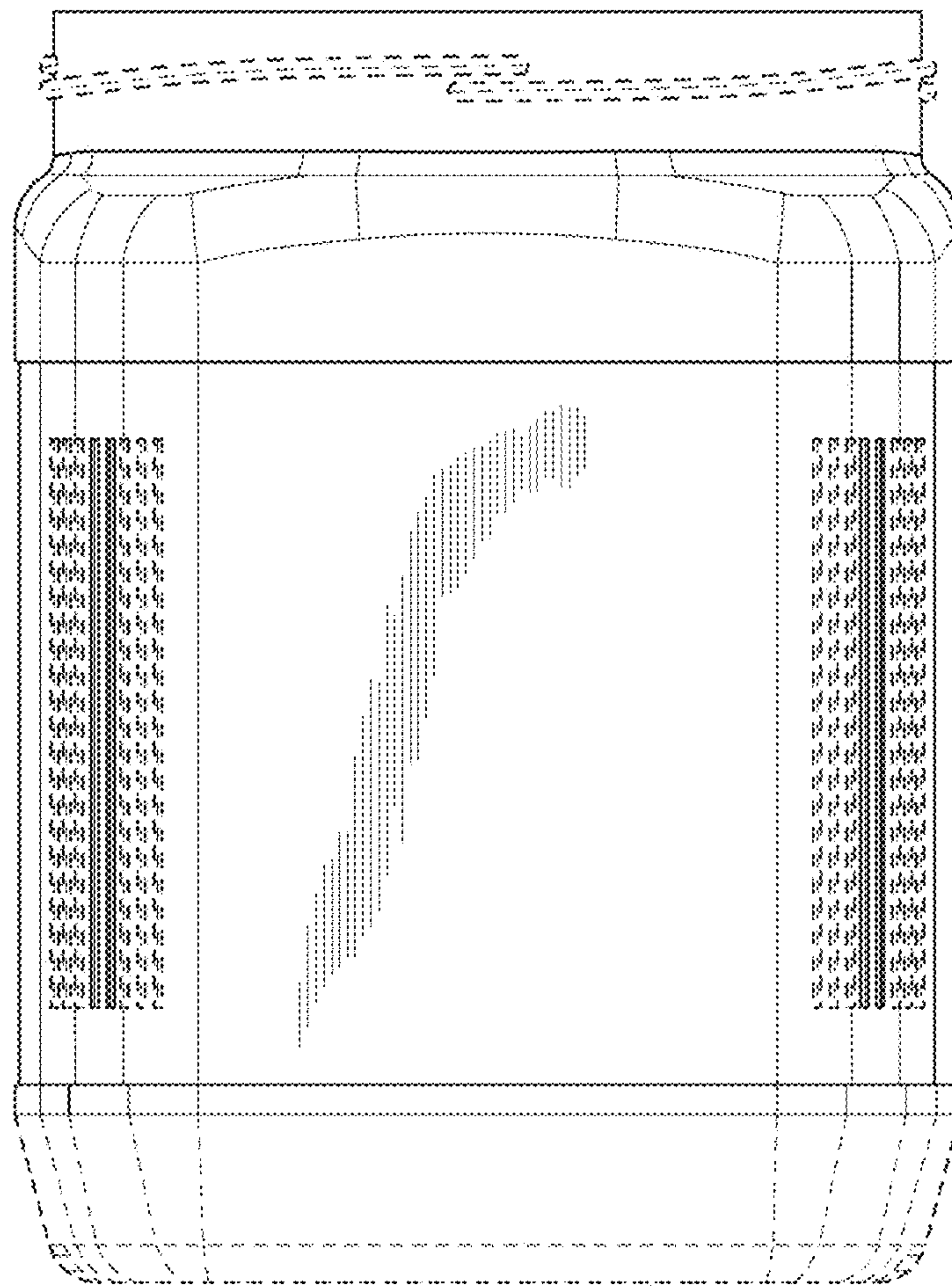


FIG. 3

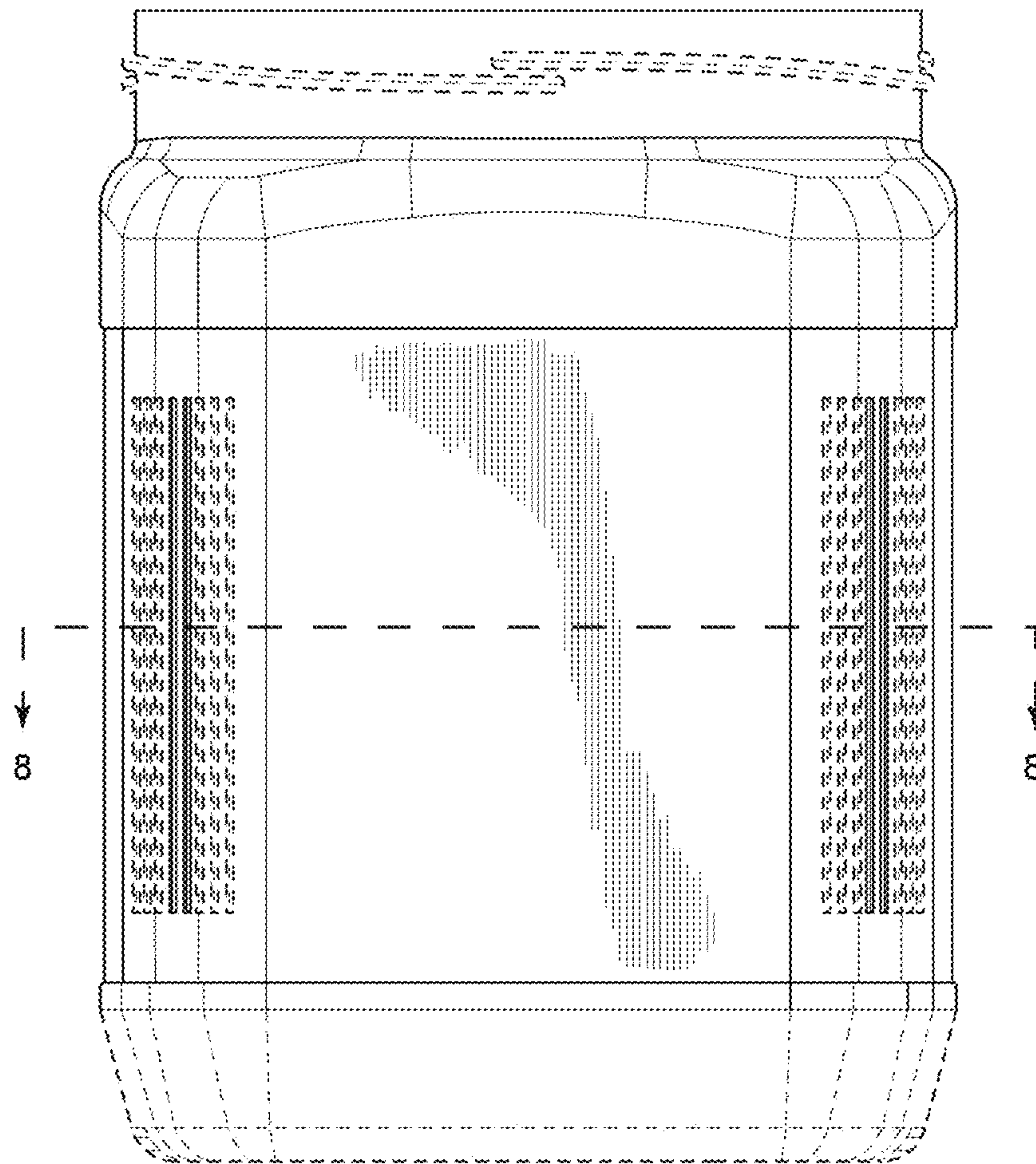


FIG. 4

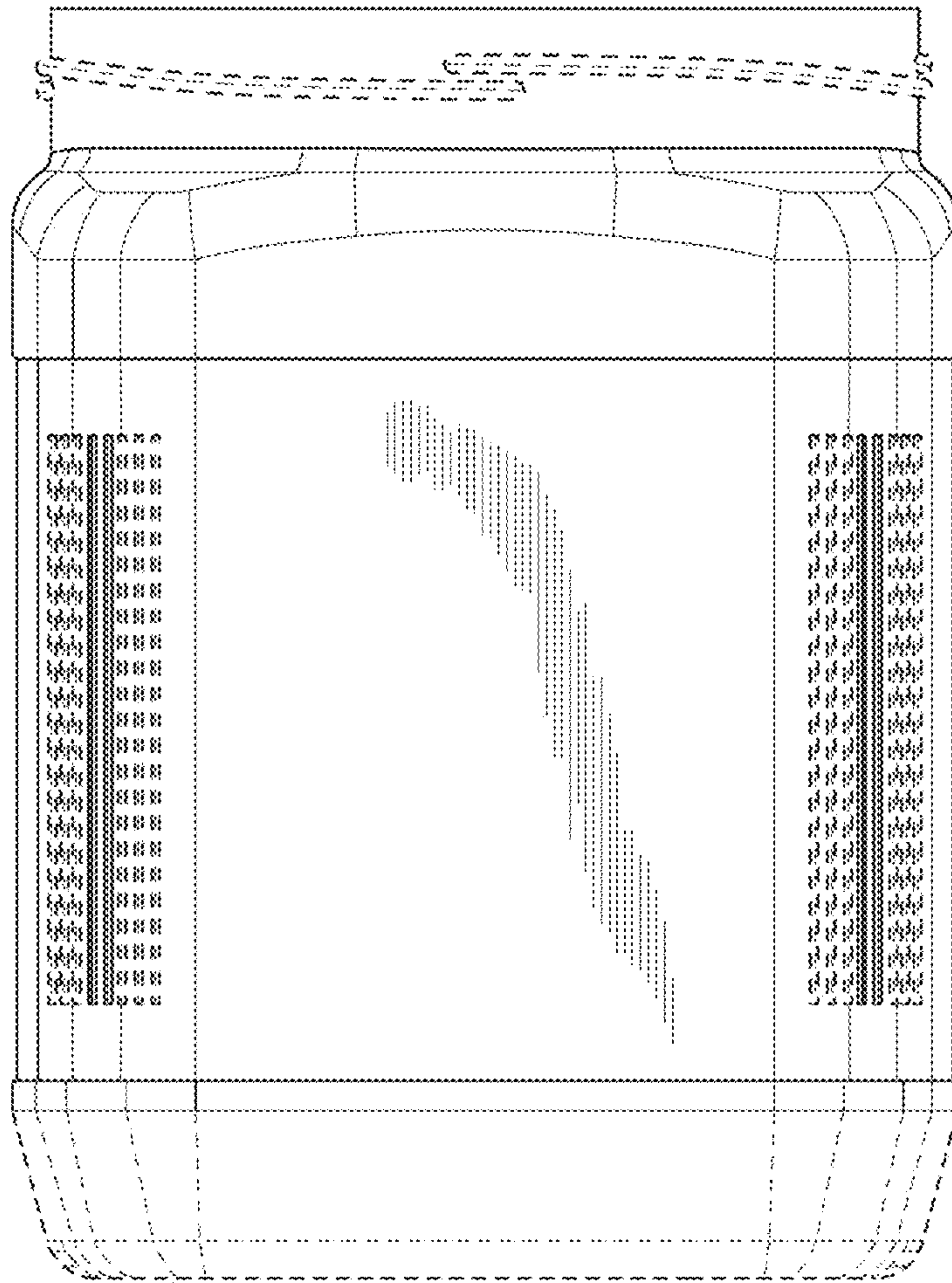


FIG. 5

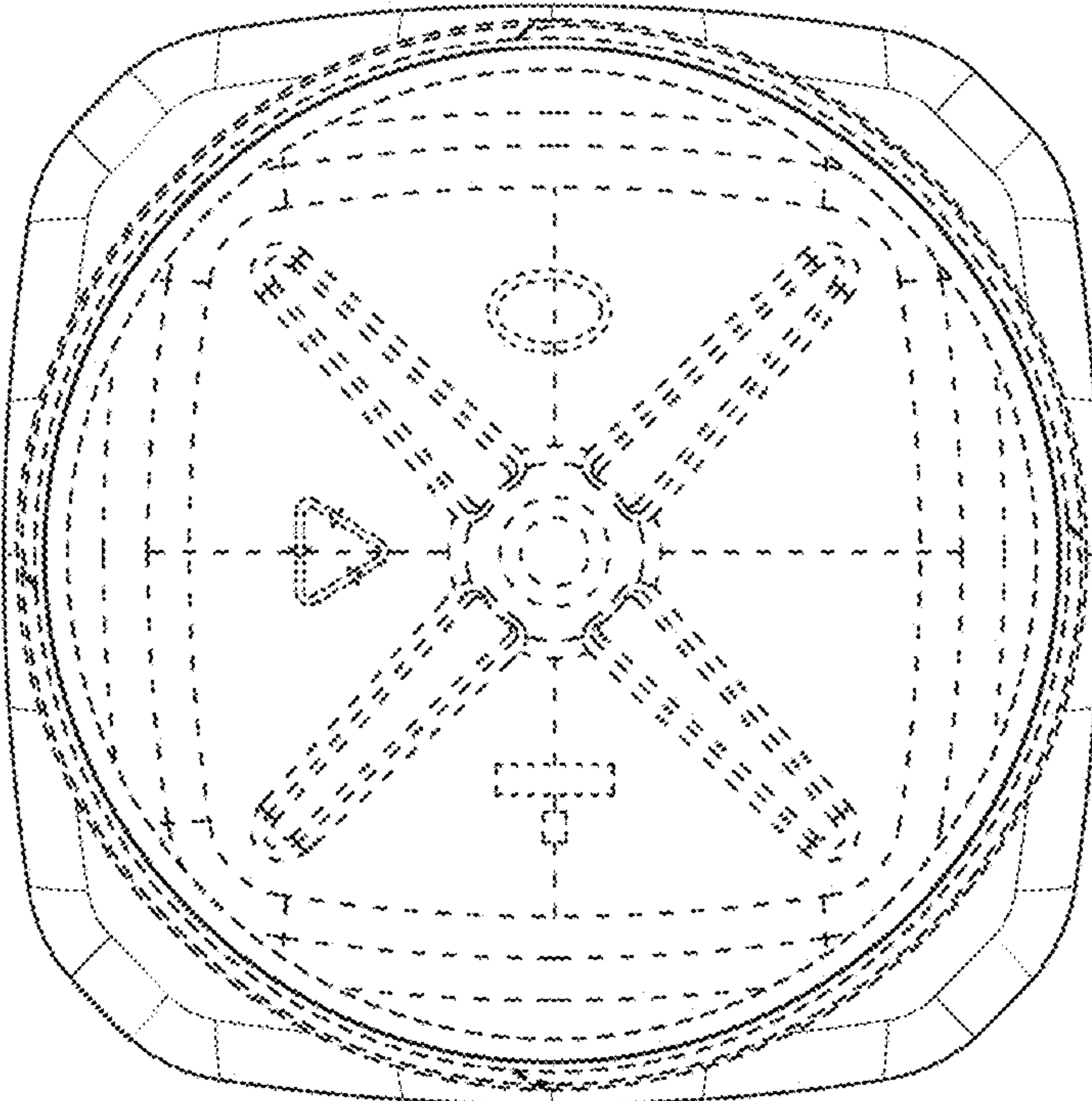


FIG. 6



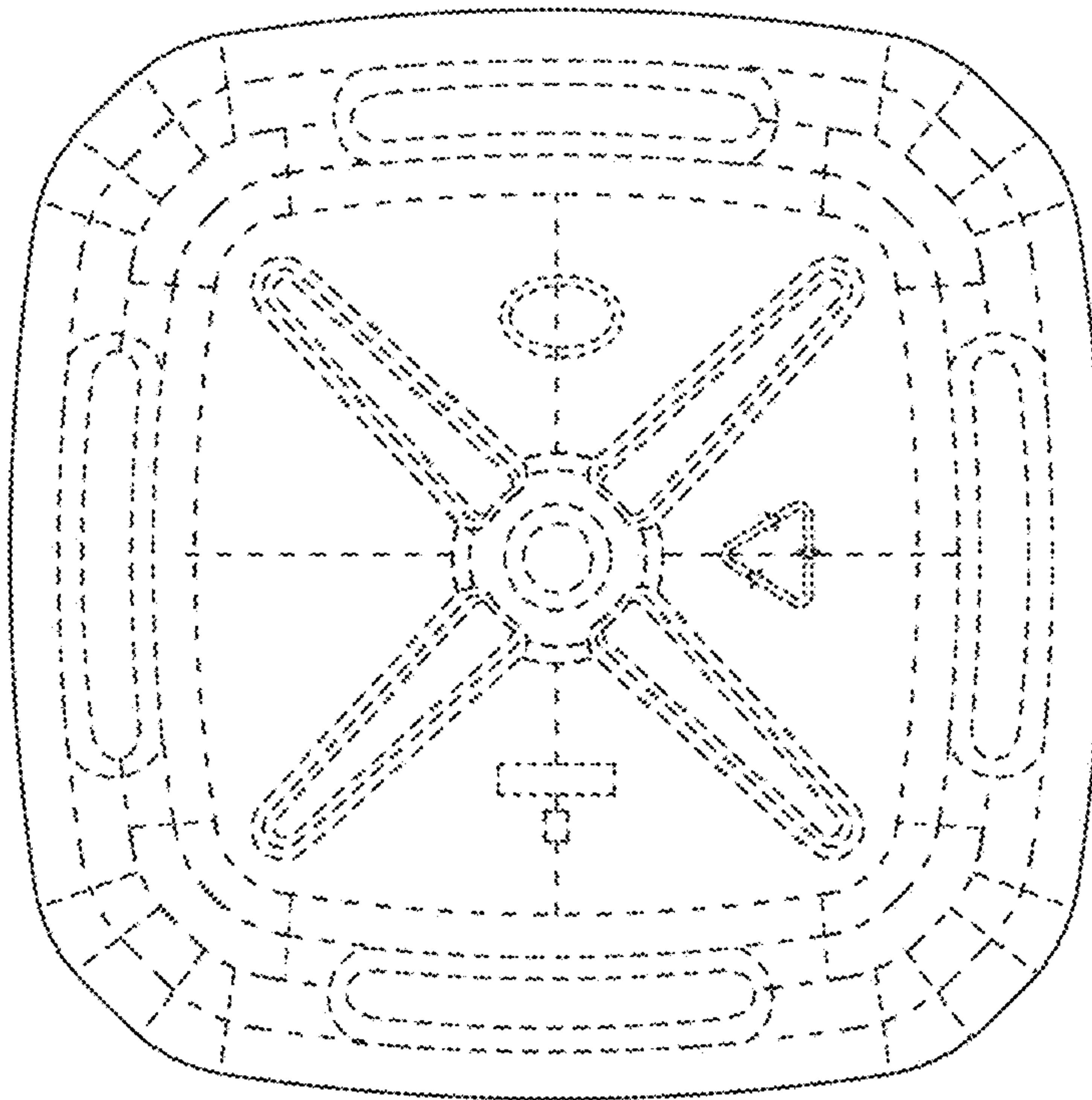


FIG. 7



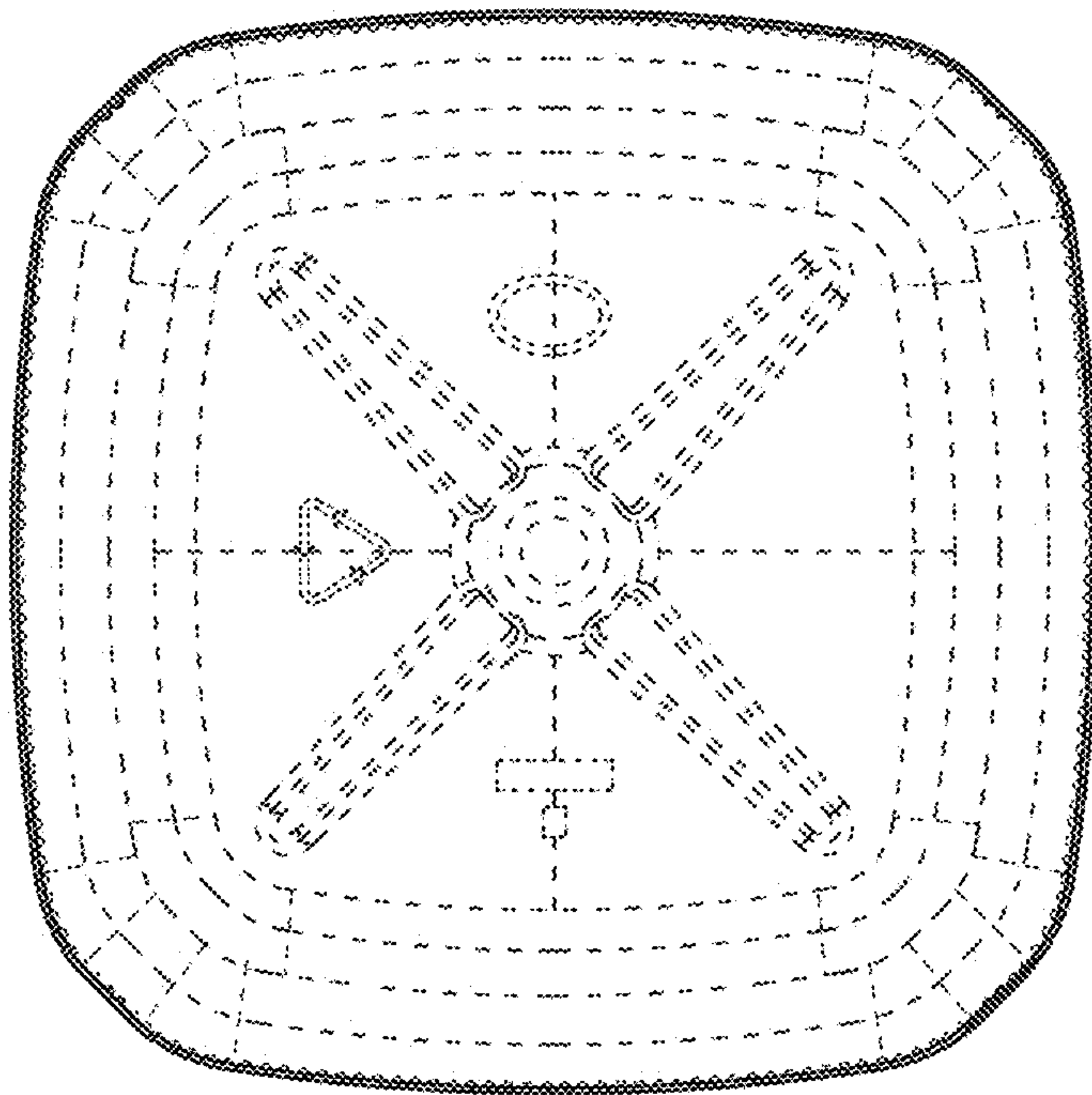


FIG. 8