



US00D955883S

(12) **United States Design Patent**  
**Joshi et al.**

(10) **Patent No.:** **US D955,883 S**  
(45) **Date of Patent:** **\*\* \*Jun. 28, 2022**

(54) **BOTTLE**

(71) Applicant: **The Coca-Cola Company**, Atlanta, GA (US)

(72) Inventors: **Rohit Joshi**, Alpharetta, GA (US); **Trey Veal**, Atlanta, GA (US); **Marina Brook**, Atlanta, GA (US); **John Pinto**, Atlanta, GA (US); **Christopher Howe**, Dexter, MI (US); **John Siciliano**, Williamston, MI (US); **James Stelzer**, Manchester, MI (US)

(73) Assignee: **The Coca-Cola Company**, Atlanta, GA (US)

(\*) Notice: This patent is subject to a terminal disclaimer.

(\*\*) Term: **15 Years**

(21) Appl. No.: **29/705,025**

(22) Filed: **Sep. 9, 2019**

(51) **LOC (13) Cl.** ..... **09-01**

(52) **U.S. Cl.**

USPC ..... **D9/538**; D9/542; D9/558

(58) **Field of Classification Search**

USPC ..... D9/500, 516, 521, 530, 536, 542, 544, D9/549, 550, 556, 558, 559, 562, 563, D9/565, 572, 573, 574, 575, 552, 560, D9/571; D4/114; D7/590

CPC ..... B65D 1/0223; B65D 23/102; B65D 2501/0081; B65D 2501/0036; B65D 79/005; B65D 1/44; C08L 33/08; A61J 1/03; A61J 1/00

See application file for complete search history.

(56) **References Cited**

**U.S. PATENT DOCUMENTS**

D158,213 S \* 4/1950 Nester ..... D9/550  
D561,595 S \* 2/2008 Le Bras-Brown ..... D9/550

D609,105 S \* 2/2010 Tiefenback ..... D9/574  
D637,909 S \* 5/2011 Fleischhacker ..... D9/502  
D736,628 S \* 8/2015 Fleischhacker ..... D9/550  
D748,482 S \* 2/2016 Darr ..... D9/550  
D803,061 S \* 11/2017 Darr ..... D9/516  
D847,639 S \* 5/2019 Pritchett, Jr. .... D9/550  
D847,640 S \* 5/2019 Pritchett, Jr. .... D9/550  
D859,992 S \* 9/2019 Joshi ..... D9/550  
D867,156 S \* 11/2019 Morehead ..... D9/550

(Continued)

**FOREIGN PATENT DOCUMENTS**

CN 303214410 \* 5/2015  
CN 304709638 \* 7/2018

*Primary Examiner* — Brett Miller

*Assistant Examiner* — Rani J Abdallah

(57) **CLAIM**

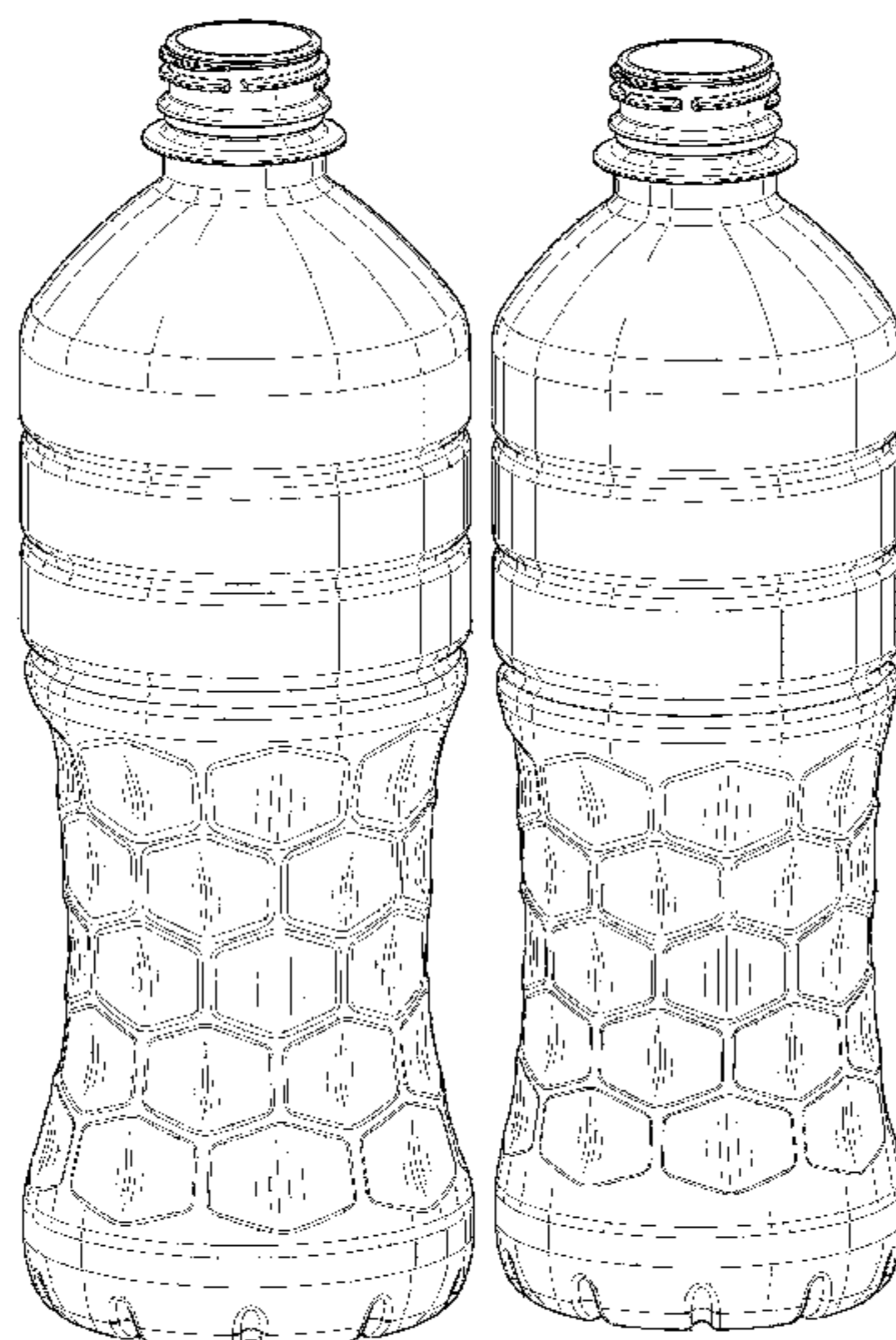
We claim the ornamental design for a bottle, as shown and described.

**DESCRIPTION**

FIG. 1 is a perspective view of a bottle, showing a first embodiment in accordance with our new design;  
FIG. 2 is a first side elevational view thereof;  
FIG. 3 is a second side elevational view thereof;  
FIG. 4 is a front elevational view thereof;  
FIG. 5 is a back elevational view thereof;  
FIG. 6 is a top view thereof;  
FIG. 7 is a bottom view thereof;  
FIG. 8 is a perspective view of a bottle, showing a second embodiment in accordance with our new design;  
FIG. 9 is a first side elevational view thereof;  
FIG. 10 is a second side elevational view thereof;  
FIG. 11 is a front elevational view thereof;  
FIG. 12 is a back elevational view thereof;  
FIG. 13 is a top view thereof; and,  
FIG. 14 is a bottom view thereof.

The dash-dash broken lines shown illustrate portions of the bottle that form no part of the claimed design.

**1 Claim, 8 Drawing Sheets**



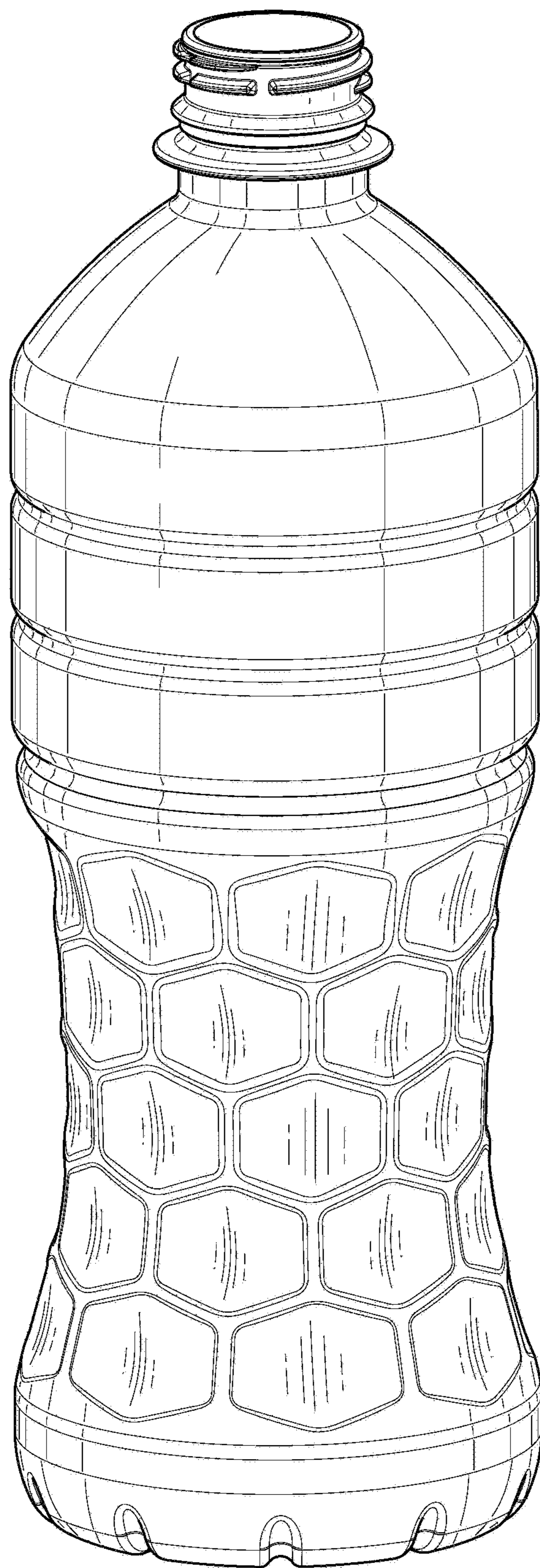
(56)

**References Cited**

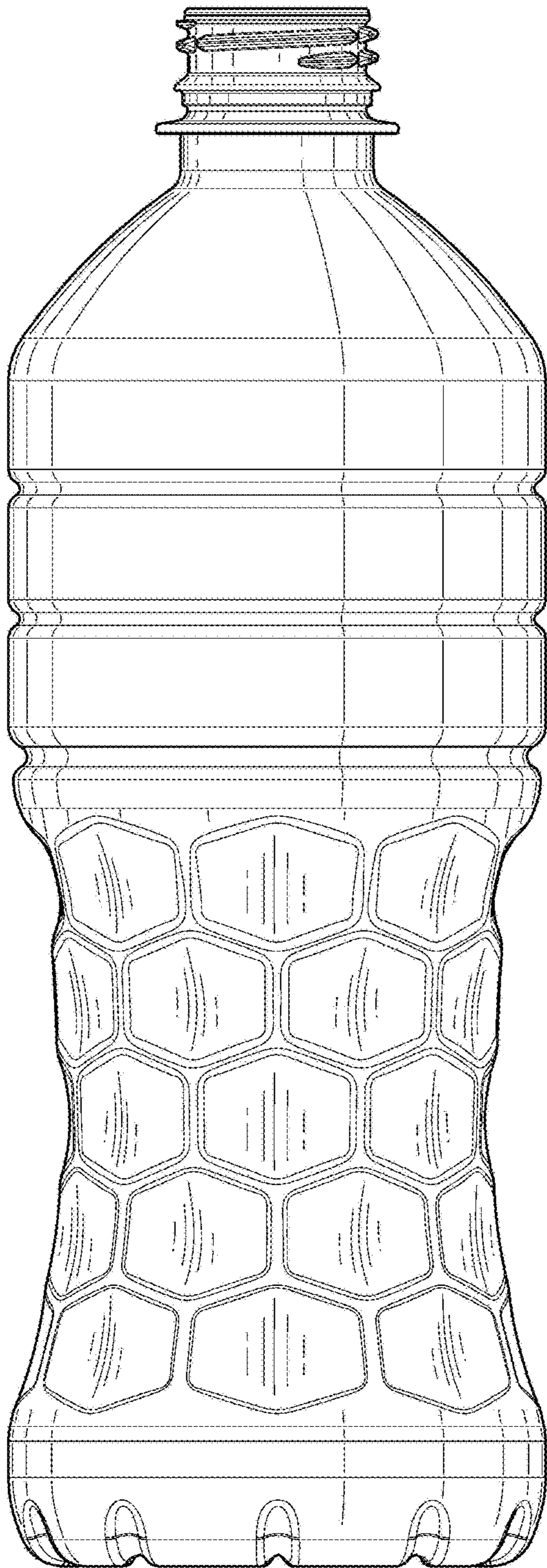
U.S. PATENT DOCUMENTS

D871,221 S \* 12/2019 Waltemyer ..... D9/516  
D871,222 S \* 12/2019 Dabrowski ..... D9/550  
D871,223 S \* 12/2019 Khetarpaul ..... D9/550  
D871,224 S \* 12/2019 Dabrowski ..... D9/550  
D872,582 S \* 1/2020 DiPippa ..... D9/550  
D878,211 S \* 3/2020 Dutra ..... D9/516  
D885,192 S \* 5/2020 Hall ..... D9/549  
D886,613 S \* 6/2020 Andersen ..... D9/516  
2020/0024022 A1\* 1/2020 Waltemyer ..... B65D 1/0223

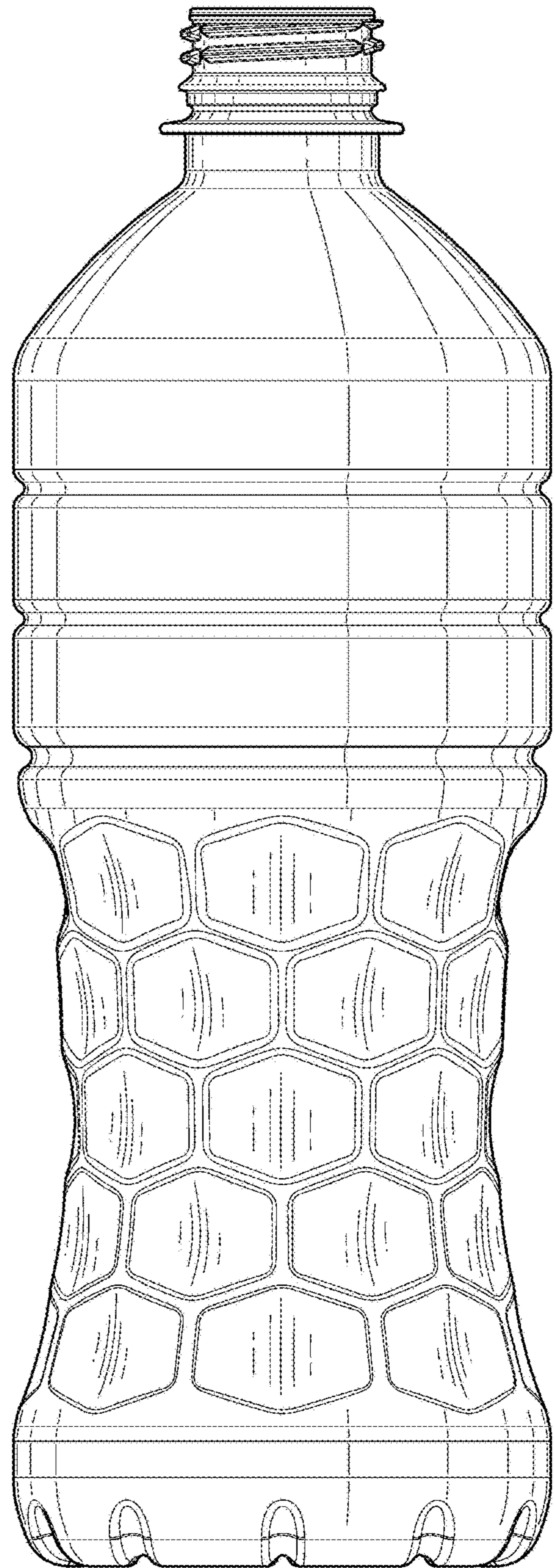
\* cited by examiner



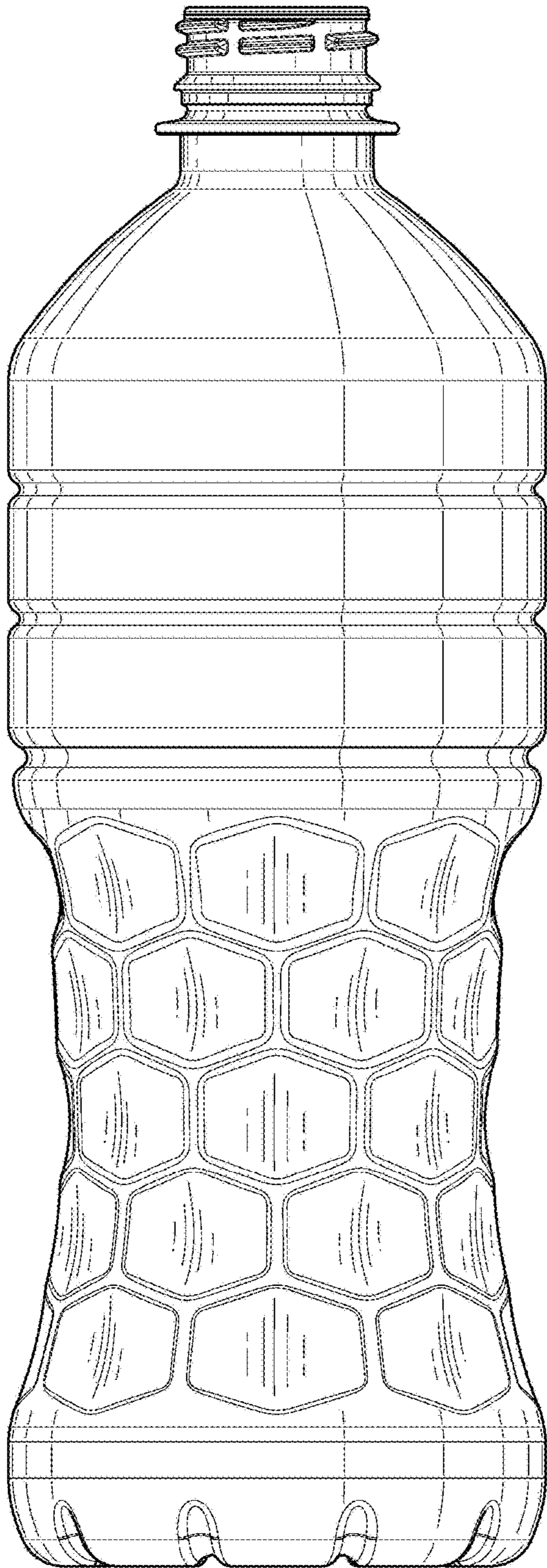
**FIG. 1**



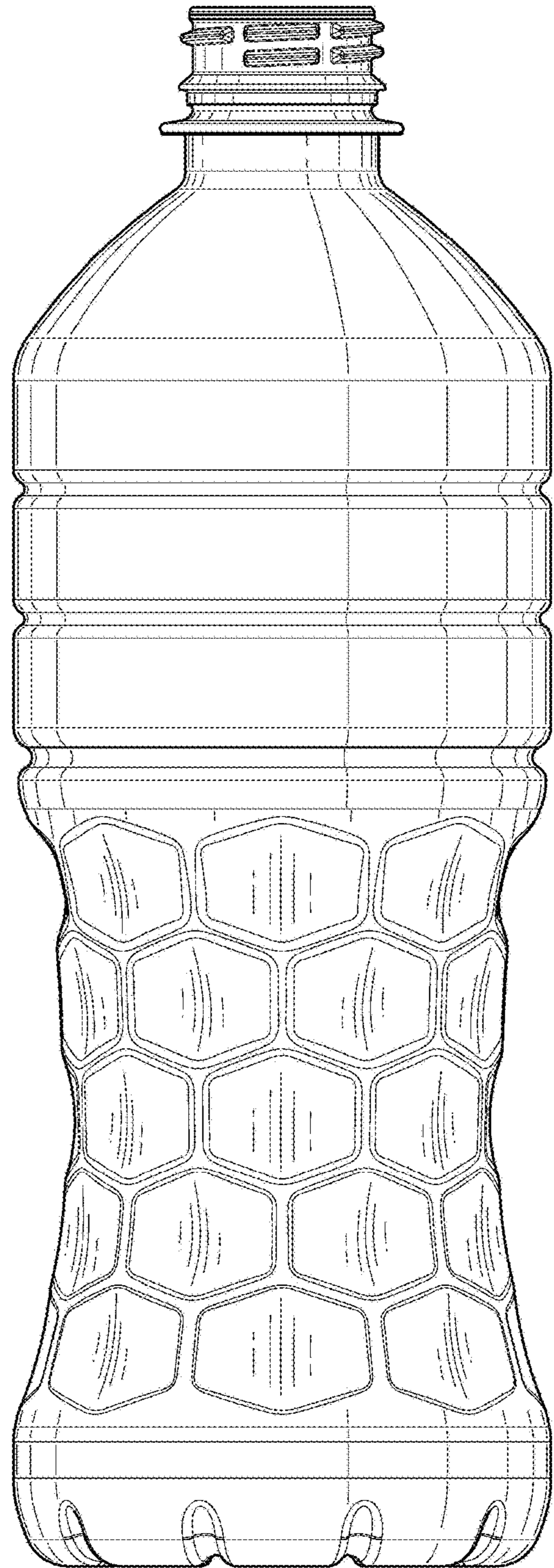
**FIG. 2**



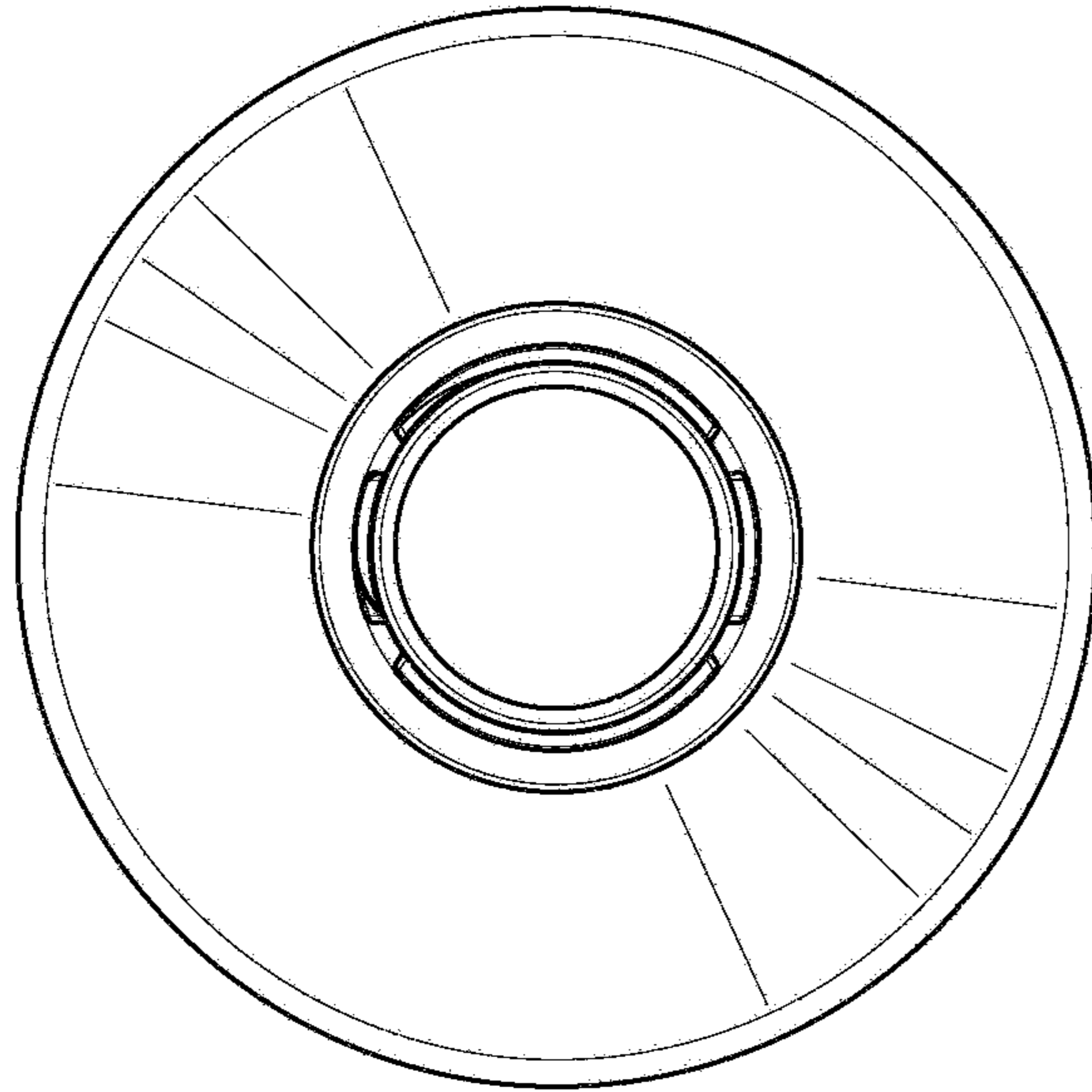
**FIG. 3**



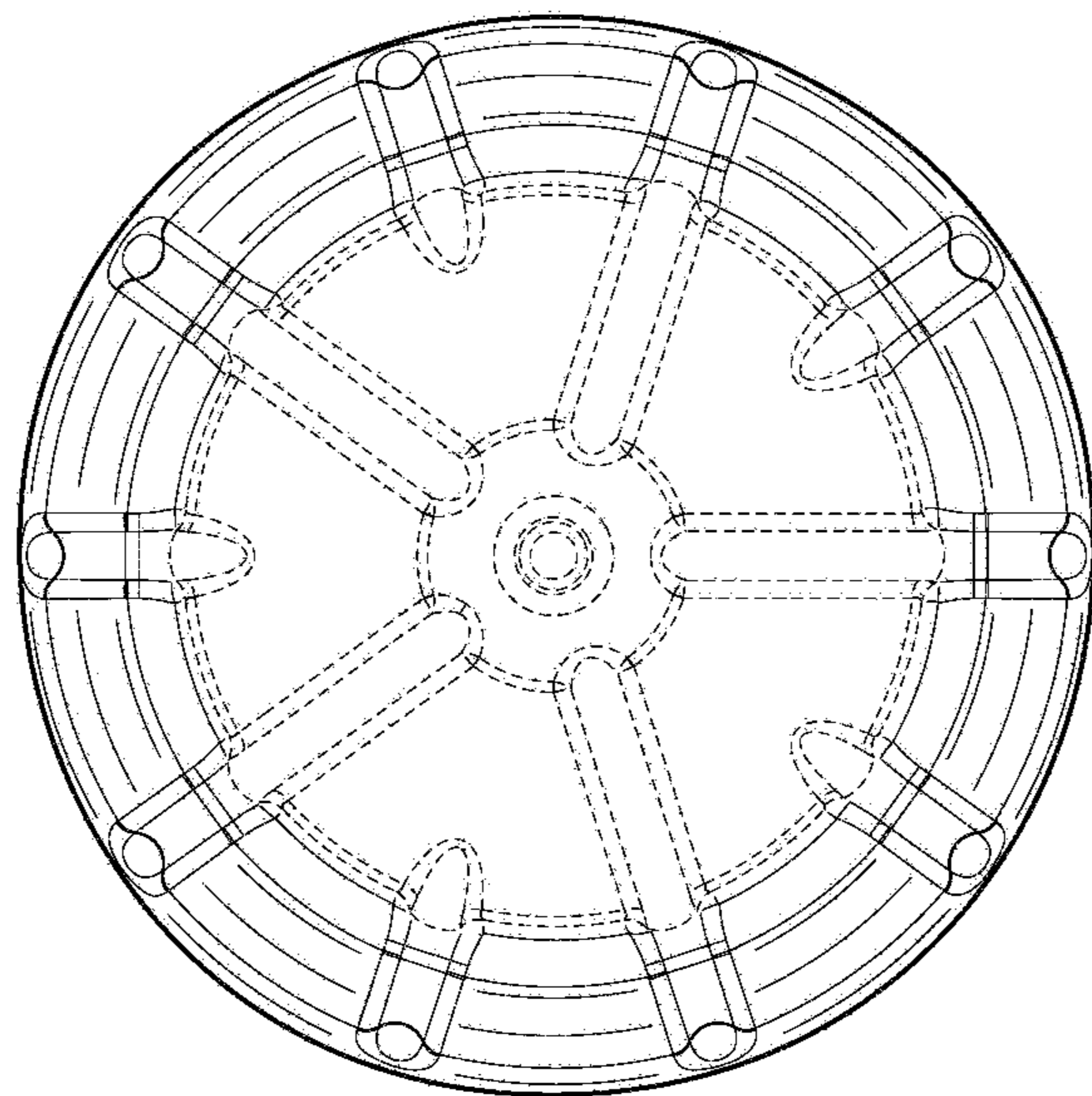
**FIG. 4**



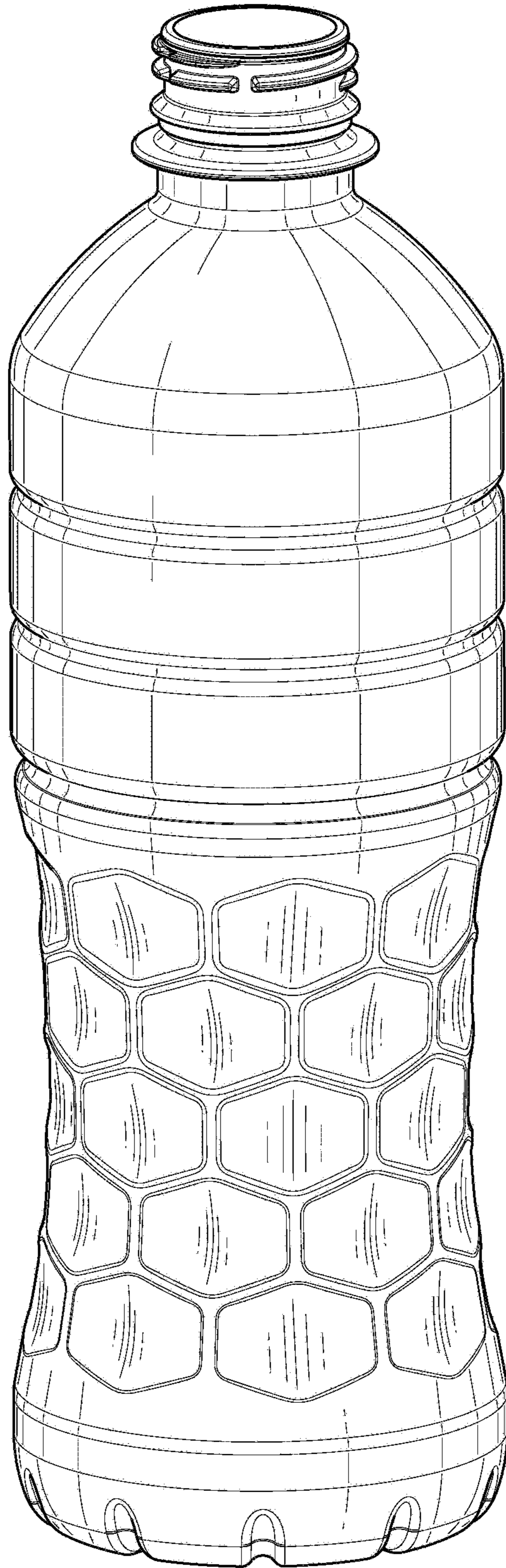
**FIG. 5**



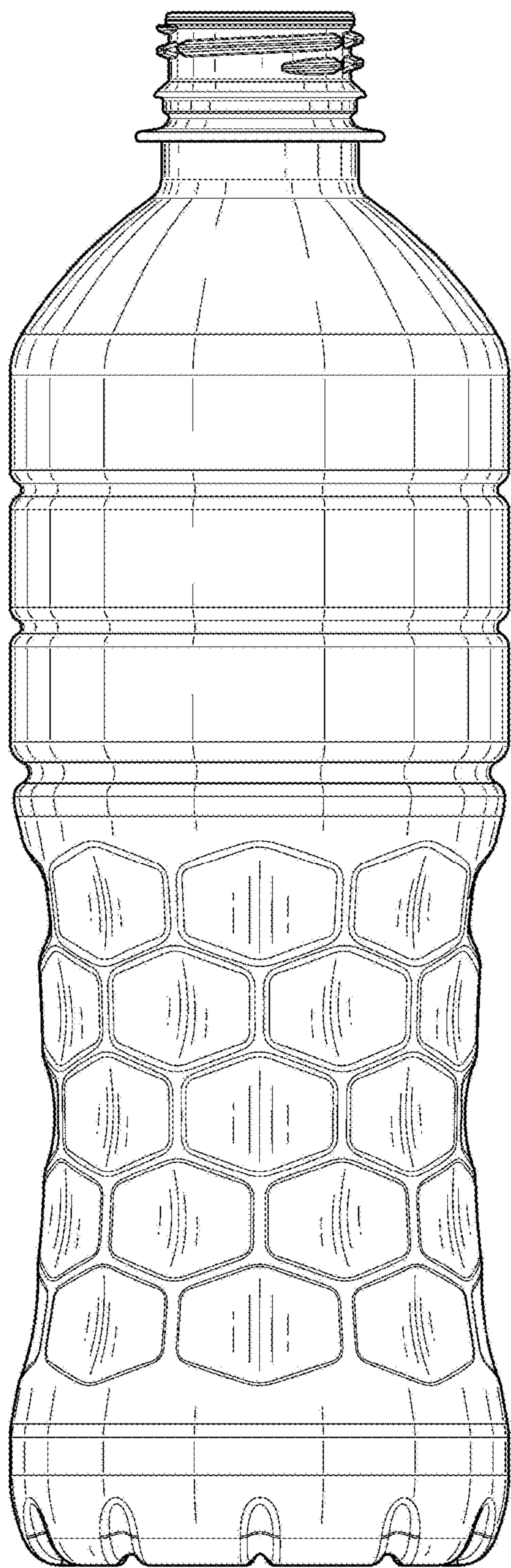
**FIG. 6**



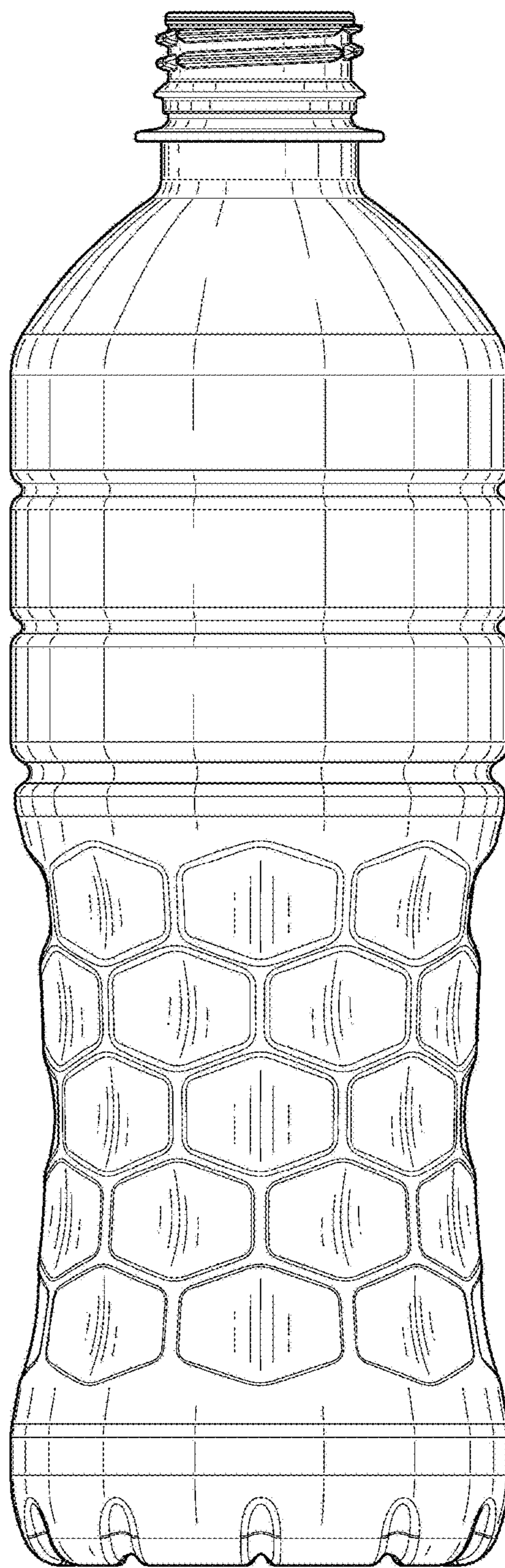
**FIG. 7**



**FIG. 8**

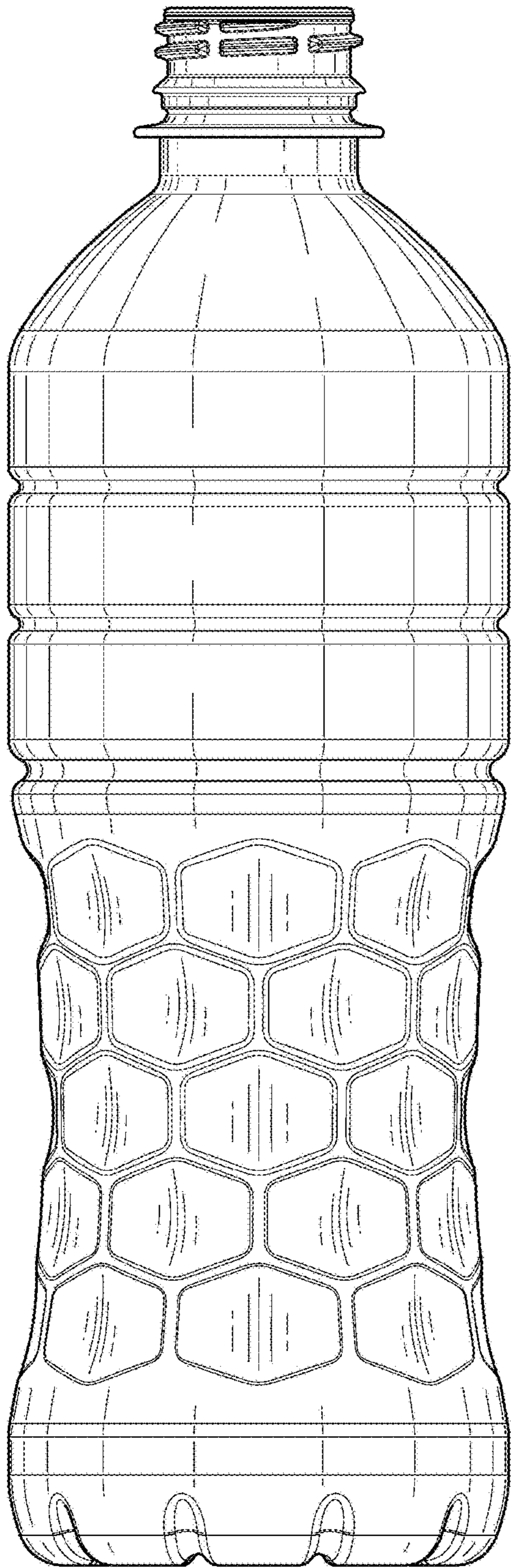


**FIG. 9**

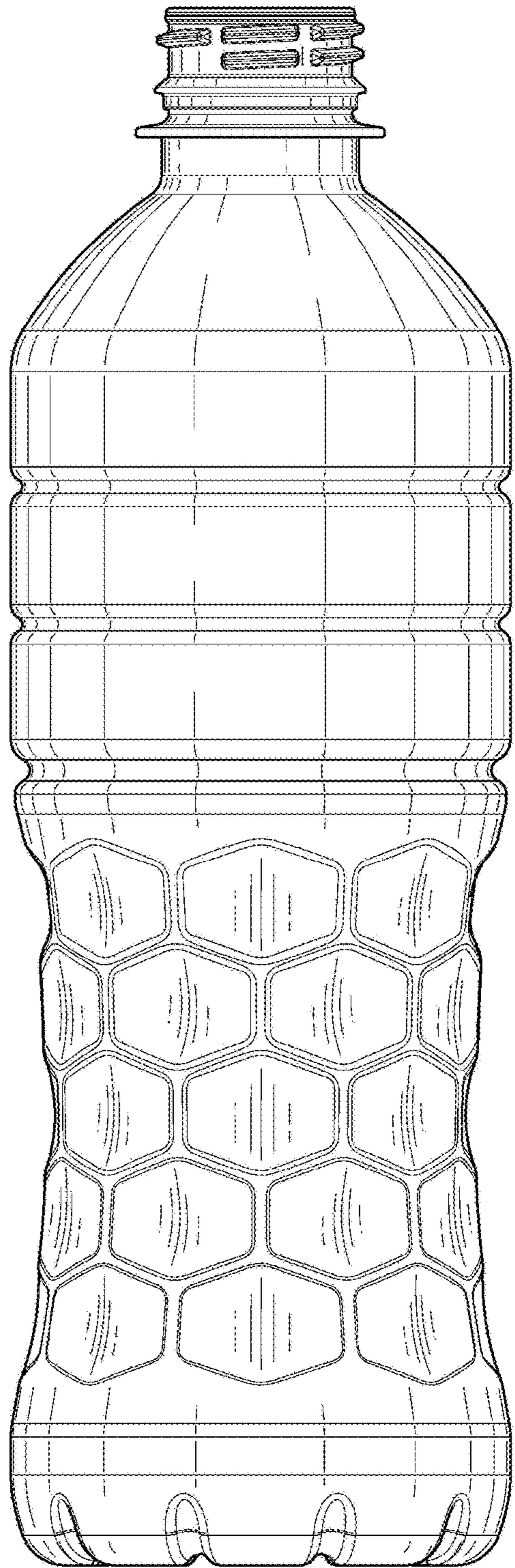


**FIG. 10**

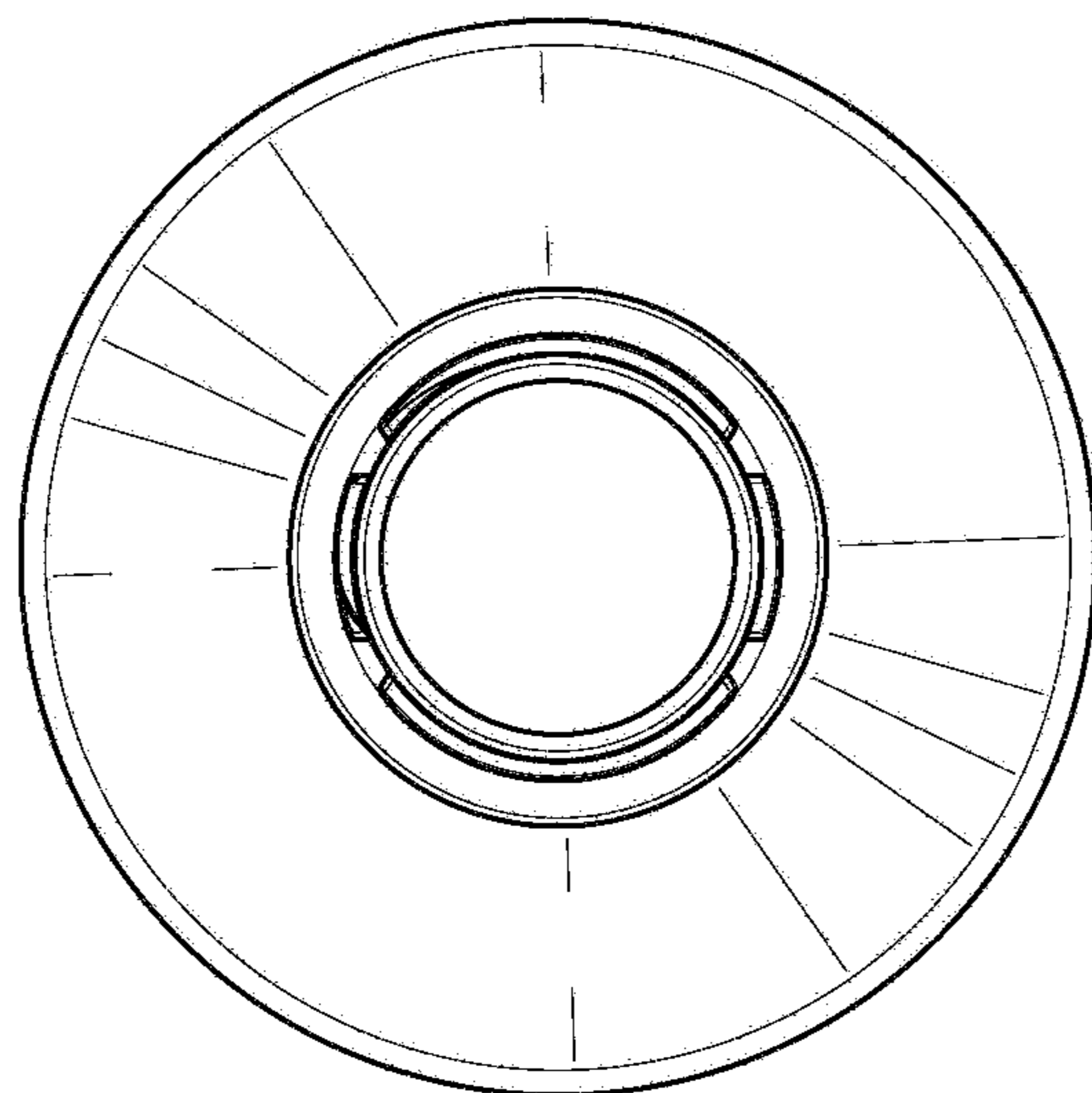




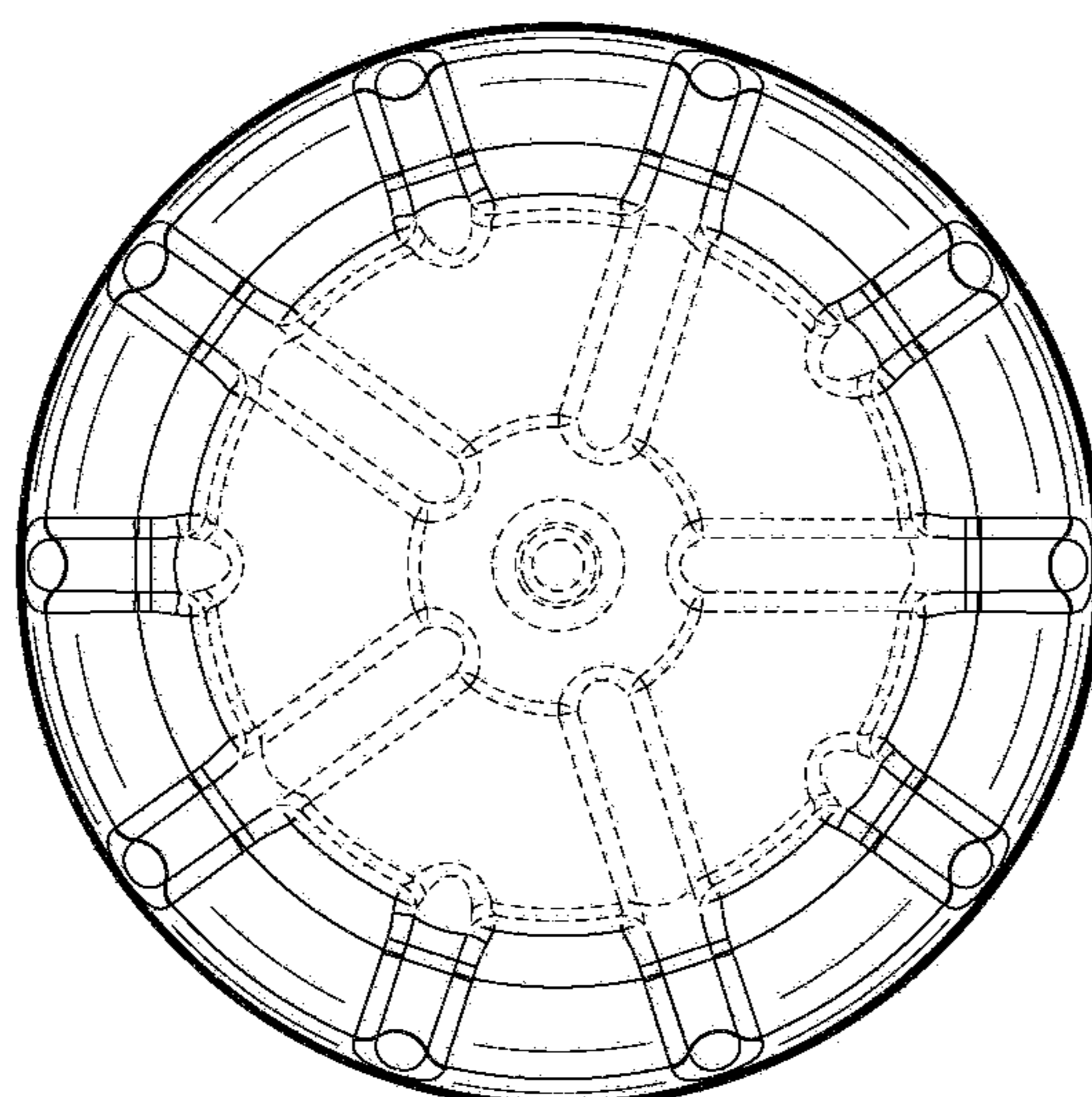
**FIG. 11**



**FIG. 12**



**FIG. 13**



**FIG. 14**