

US00D955882S

(12) **United States Design Patent**  
**Mellen**

(10) **Patent No.:** **US D955,882 S**

(45) **Date of Patent:** **\*\* \*Jun. 28, 2022**

- (54) **PRE-FORM WITH HANDLE**
- (71) Applicant: **Integrated Plastics Pty Limited,**  
Villawood (AU)
- (72) Inventor: **Nick Mellen,** Villawood (AU)
- (73) Assignee: **Integrated Plastics Pty Limited,**  
Villawood (AU)
- (\*) Notice: This patent is subject to a terminal disclaimer.
- (\*\*) Term: **15 Years**
- (21) Appl. No.: **29/694,755**
- (22) Filed: **Jun. 13, 2019**

6,789,689	B1 *	9/2004	Beale	.....	B29B 11/08
					215/398
D587,118	S *	2/2009	Sadiq	.....	D9/516
D607,731	S *	1/2010	Soliman	.....	D9/500
D633,392	S *	3/2011	Northrop	.....	D9/499
D644,536	S *	9/2011	Witz	.....	D9/499
D664,165	S *	7/2012	Witz	.....	D15/136
D694,111	S *	11/2013	Porter	.....	G01F 11/286
					D9/499
D698,651	S *	2/2014	Sommer	.....	D9/453
D702,743	S *	4/2014	Witz	.....	D15/136
8,857,637	B2 *	10/2014	Darr	.....	B29B 11/08
					215/44
D739,953	S *	9/2015	Curry	.....	D24/224
D746,142	S *	12/2015	Thibodeau	.....	D9/499
D769,720	S *	10/2016	Porter	.....	D9/499
D777,341	S *	1/2017	Oguro	.....	D24/224
D801,580	S *	10/2017	Barrantes	.....	D27/189
D817,173	S *	5/2018	Suga	.....	D9/500
10,189,200	B2 *	1/2019	Brunson	.....	B29C 49/12
10,335,993	B2 *	7/2019	Thibodeau	.....	B29C 49/482

(Continued)

(30) **Foreign Application Priority Data**

Dec. 13, 2018 (AU) ..... 201817499  
 Dec. 13, 2018 (AU) ..... 201817508

- (51) **LOC (13) Cl.** ..... **09-01**
- (52) **U.S. Cl.**  
USPC ..... **D9/531**

- (58) **Field of Classification Search**  
USPC ..... D9/516, 519, 520, 530, 537, 538, 540,  
D9/545, 550, 549, 574, 575, 715, 719,  
D9/531; D24/224; D27/183, 186, 189  
CPC ..... B65D 1/0223; B65D 2501/0036; B65D  
1/023; B65D 1/40; B65D 23/102; B29C  
49/062; B29C 49/06; B29C 49/28; B29C  
49/4205

See application file for complete search history.

(56) **References Cited**

**U.S. PATENT DOCUMENTS**

D342,028 S \* 12/1993 Stenger ..... D24/224  
 D432,245 S \* 10/2000 Stevens ..... D24/216

*Primary Examiner* — Catherine S Posthauer

(74) *Attorney, Agent, or Firm* — Ladas & Parry LLP

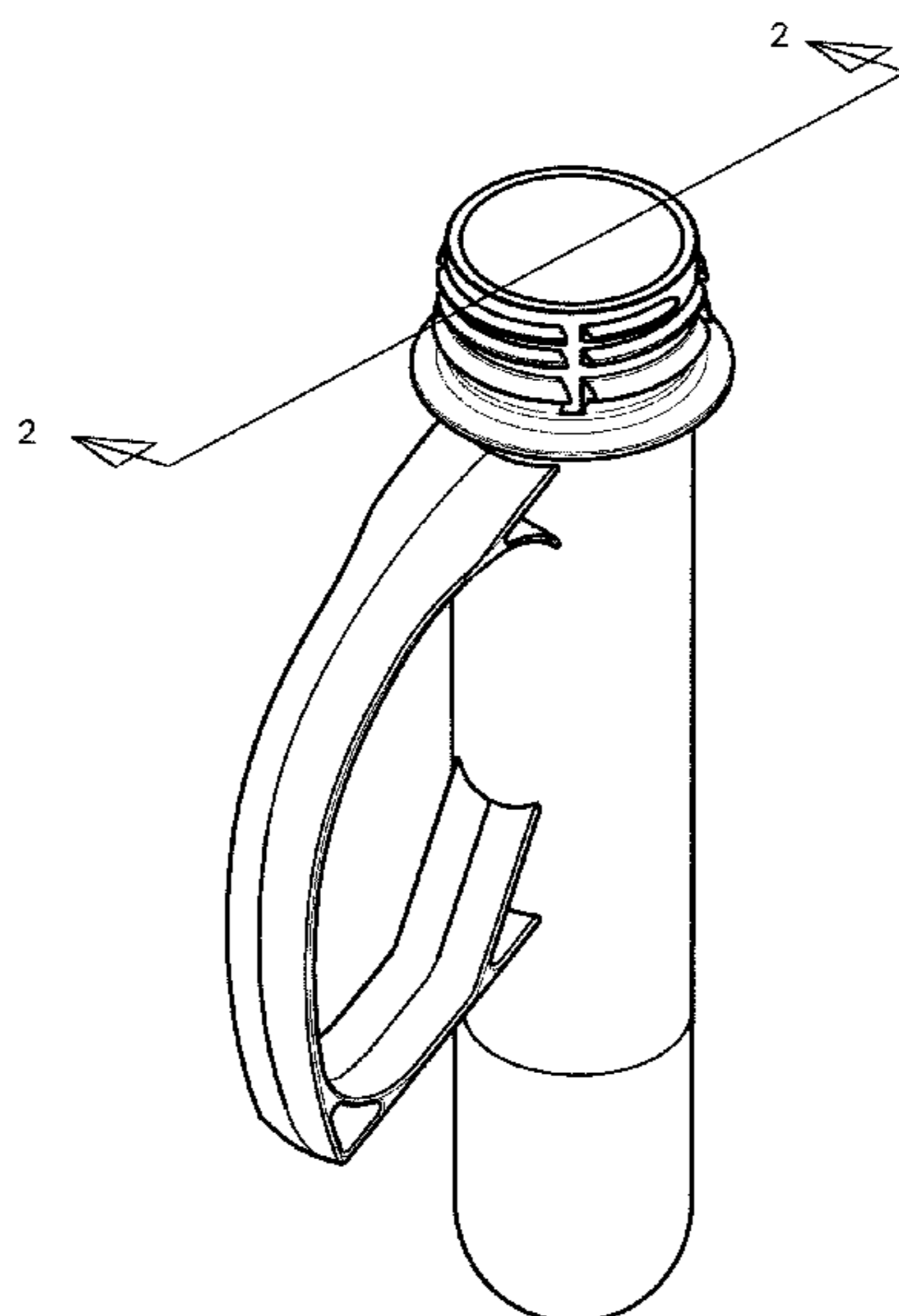
(57) **CLAIM**

I claim the ornamental design for a pre-form with handle, as shown and described.

**DESCRIPTION**

FIG. 1 is a front-left perspective view of the pre-form with handle showing my new design;  
 FIG. 2 is a cross sectional view of FIG. 1 in the direction of line 2-2 of FIG. 1;  
 FIG. 3 is a cross sectional view in the direction of line 3-3 of FIG. 2 thereof; and,  
 FIG. 4 is a cross sectional view in the direction of line 4-4 of FIG. 2 thereof.  
 A characteristic feature of the design resides in the difference in the wall thickness and shape at different points of the preform shown in FIGS. 3 and 4.

**1 Claim, 2 Drawing Sheets**



(56)

**References Cited**

U.S. PATENT DOCUMENTS

2005/0158495 A1\* 7/2005 Nahill ..... B29C 49/02  
428/35.7  
2013/0330490 A1\* 12/2013 Calello ..... B29B 11/14  
428/36.5  
2016/0250795 A1\* 9/2016 Knight ..... B29C 49/0073  
215/44  
2017/0326779 A1\* 11/2017 Toyoda ..... B65D 1/00  
2018/0194059 A1\* 7/2018 Hirayama ..... B29C 49/221

\* cited by examiner

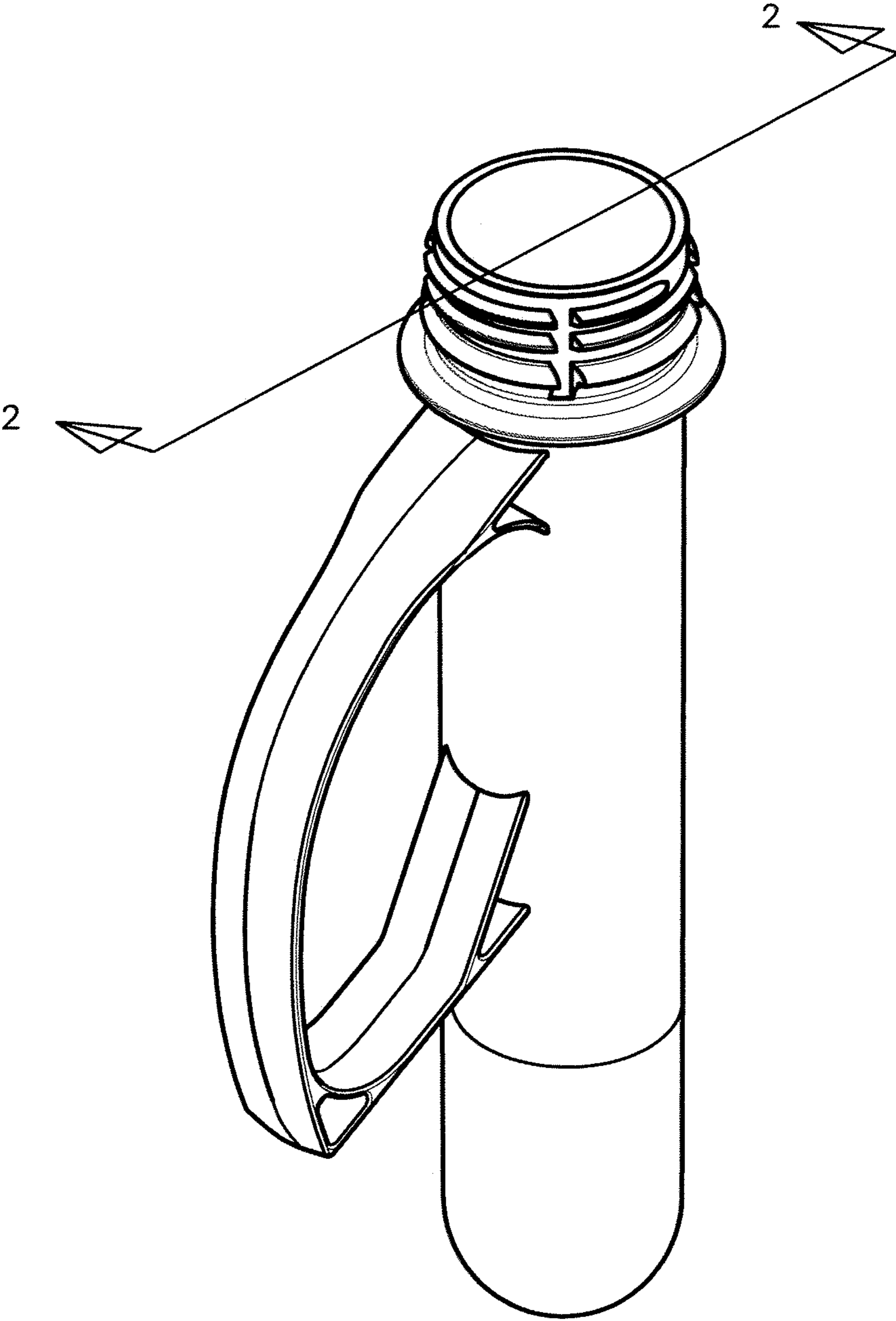


FIG. 1

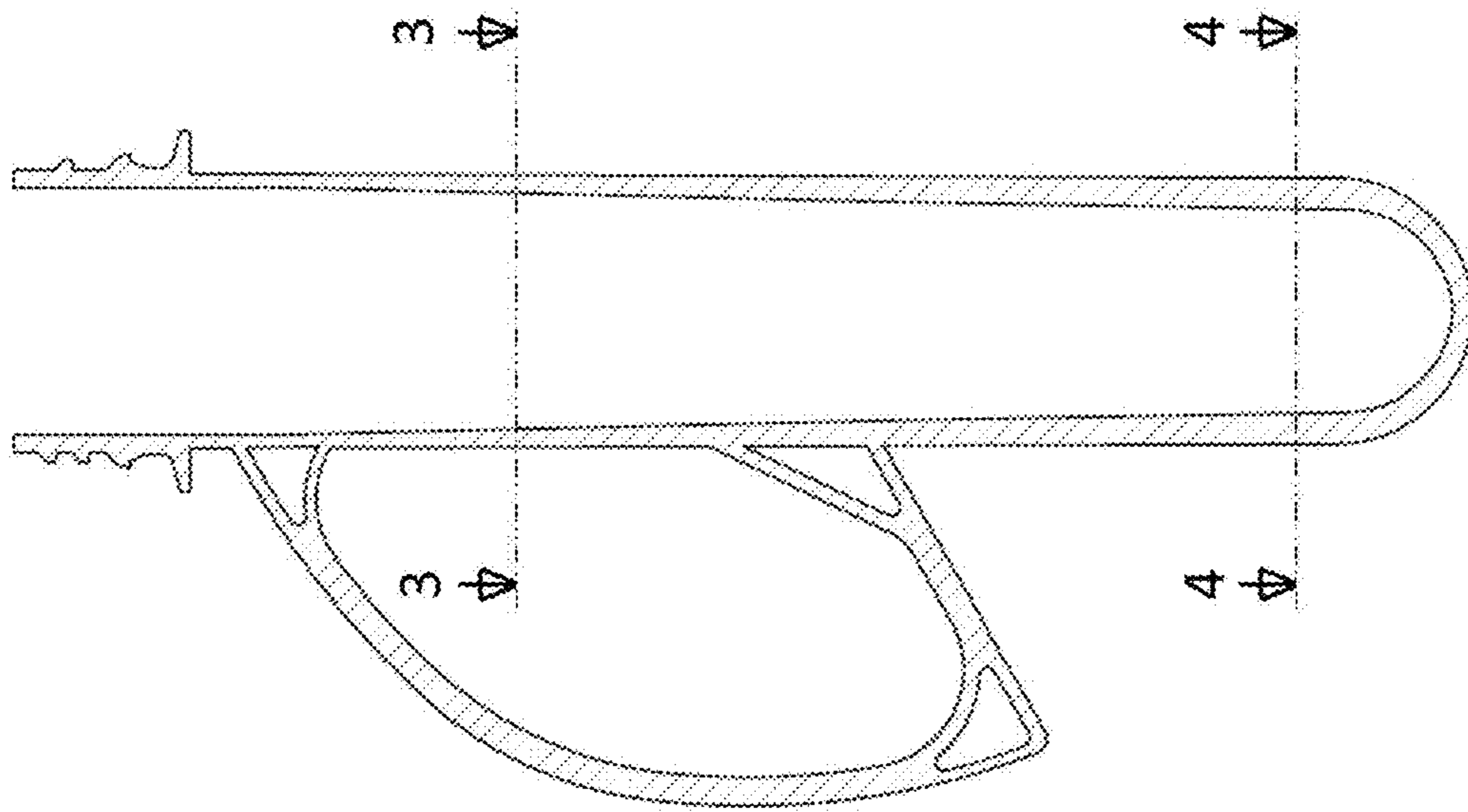


Fig. 3

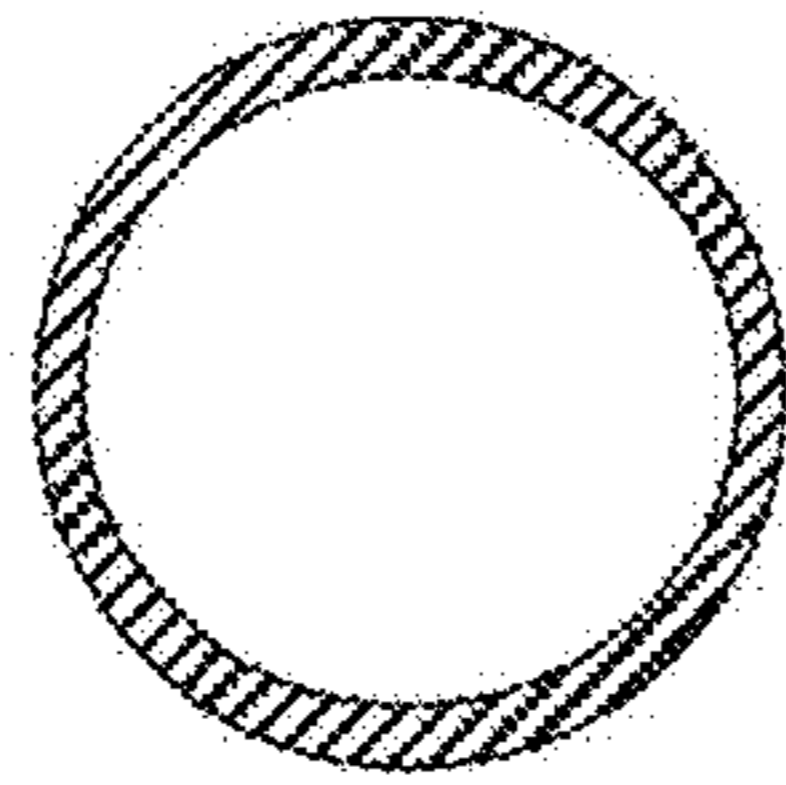


Fig. 4

