



US00D955881S

(12) **United States Design Patent** (10) **Patent No.:** **US D955,881 S**  
**Boehm et al.** (45) **Date of Patent:** **\*\* Jun. 28, 2022**

(54) **DOSAGE DISPENSER**  
(71) Applicant: **3M INNOVATIVE PROPERTIES COMPANY**, St. Paul, MN (US)  
(72) Inventors: **Andreas J. Boehm**, Reichling (DE); **Marc Peuker**, Schondorf (DE); **Giuseppe De Bellis**, San Donato Milanese (IT); **Stefan Eckstein**, Munich (DE); **Kristina Hinz**, Munich (DE)  
(73) Assignee: **3M Innovative Properties Company**, St. Paul, MN (US)

5,492,252 A \* 2/1996 Gueret ..... B05B 11/0029  
222/207  
D374,399 S 10/1996 Neveras  
D381,909 S \* 8/1997 Sayers ..... D9/447  
D381,910 S 8/1997 Sayers  
D431,410 S 10/2000 Huang  
D473,457 S 4/2003 Reinoso  
(Continued)

(\*\*) Term: **15 Years**

(21) Appl. No.: **29/788,007**

(22) Filed: **Feb. 8, 2021**

**Related U.S. Application Data**

(63) Continuation of application No. 29/667,734, filed on Oct. 24, 2018, now Pat. No. Des. 913,101.

(30) **Foreign Application Priority Data**

May 3, 2018 (EM) ..... 005255890

(51) **LOC (13) Cl.** ..... **09-01**

(52) **U.S. Cl.**  
USPC ..... **D9/529; D9/575**

(58) **Field of Classification Search**  
USPC ..... D9/686, 500-505, 516, 529, 543, 545, D9/549, 557, 558, 575, 428, 429, 435, D9/443, 446, 447, 449; D7/312, 313, D7/590; D24/121, 152, 156, 176, 181  
CPC ..... B65D 55/0818; B65D 47/0809; B65D 2203/02

See application file for complete search history.

(56) **References Cited**

**U.S. PATENT DOCUMENTS**

D258,497 S 3/1981 Hartmann  
D318,598 S 7/1991 Plough

**OTHER PUBLICATIONS**

U.S. Appl. No. 29/788,006, filed Feb. 8, 2021 entitled Dosage Dispenser.

*Primary Examiner* — Sharon S Oum

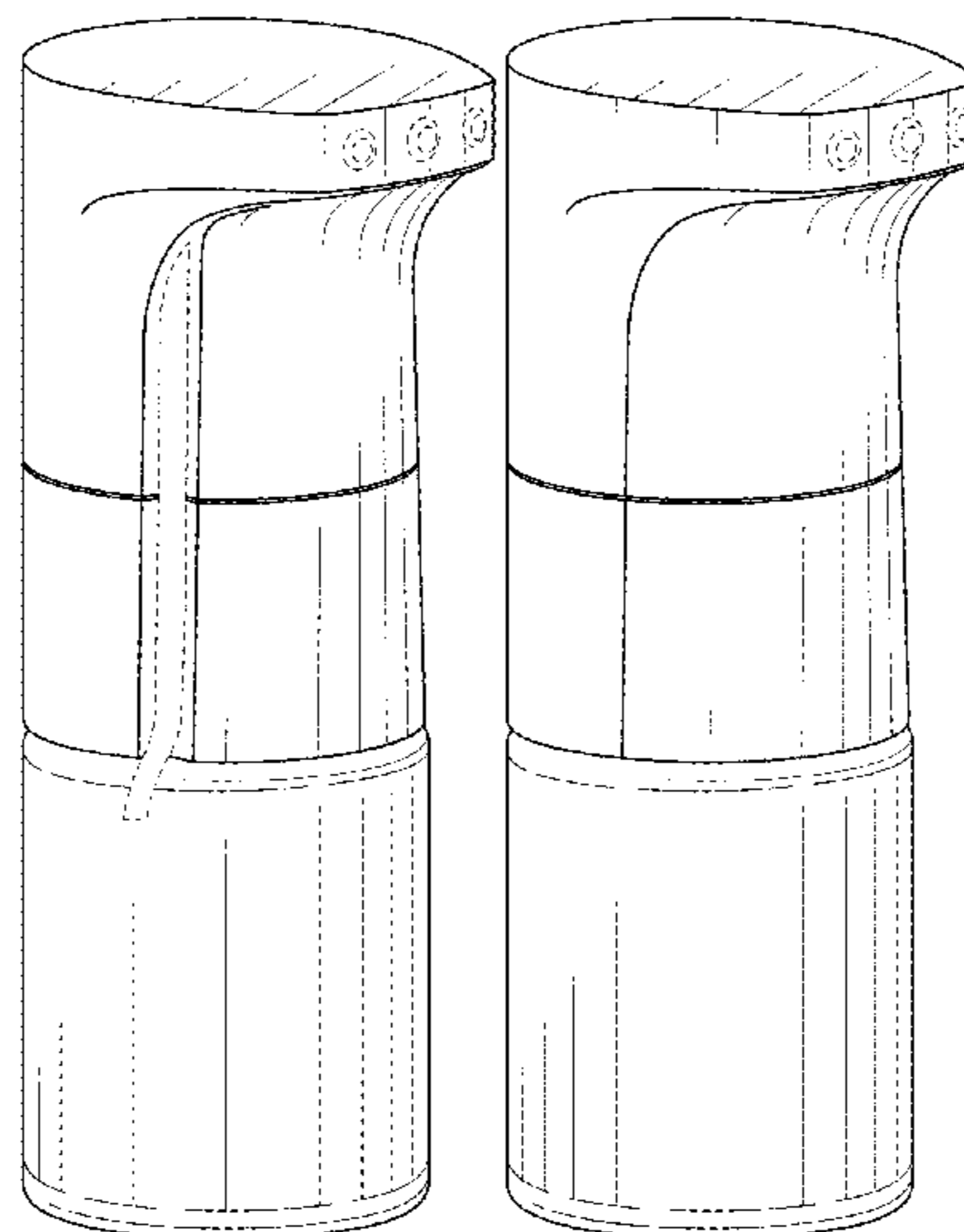
(57) **CLAIM**

The ornamental design for a dosage dispenser, as shown and described.

**DESCRIPTION**

FIG. 1 is a perspective view of a first embodiment of a dosage dispenser showing a new design.  
FIG. 2 is a front view thereof;  
FIG. 3 is a rear view thereof;  
FIG. 4 is a right-side view thereof;  
FIG. 5 is a left-side view thereof;  
FIG. 6 is a top view thereof; and  
FIG. 7 is a bottom plan view thereof.  
FIG. 8 is a perspective view of a second embodiment of a dosage dispenser showing a new design.  
FIG. 9 is a front view thereof;  
FIG. 10 is a rear view thereof;  
FIG. 11 is a right-side view thereof;  
FIG. 12 is a left-side view thereof;  
FIG. 13 is a top view thereof; and  
FIG. 14 is a bottom plan view thereof.  
The broken lines illustrate portions of the dosage dispenser that form no part of the claimed design.

**1 Claim, 6 Drawing Sheets**



(56)

References Cited

U.S. PATENT DOCUMENTS

D489,616	S	*	5/2004	Bakic .....	D9/447
D503,888	S	*	4/2005	Garcia .....	D9/449
D504,818	S		5/2005	Bakic	
D511,095	S	*	11/2005	Auer .....	D9/435
D540,189	S		4/2007	Larocca	
D553,417	S	*	10/2007	Schreitmueller .....	D7/306
D553,800	S		10/2007	Hollmann	
D555,970	S	*	11/2007	Schreitmueller .....	D7/312
D562,080	S		2/2008	Jossem	
D566,558	S		4/2008	Bakic	
D581,791	S		12/2008	Bakic	
D599,670	S		9/2009	Qin	
D650,696	S		12/2011	Peden, III	
D652,668	S		1/2012	Wang	
D677,572	S		3/2013	Papiernik	
D688,918	S		9/2013	Jin	
D692,762	S		11/2013	Walter	
D692,763	S	*	11/2013	Walter .....	D9/504
D693,223	S	*	11/2013	Walter .....	D9/504
D715,948	S	*	10/2014	Peuker .....	D24/176
D726,322	S	*	4/2015	Peuker .....	D24/176
D739,251	S		9/2015	Kawai	
D748,949	S		2/2016	Long, Sr.	
D758,195	S		6/2016	Braz	
D789,200	S		6/2017	Deringer	
D882,409	S		4/2020	Wong	
D913,101	S		3/2021	Boehm	
D932,906	S	*	10/2021	Schulz .....	D9/549
D947,031	S	*	3/2022	Boehm .....	D9/575
2012/0273523	A1		11/2012	Walter	
2020/0140164	A1		5/2020	Peuker	

\* cited by examiner

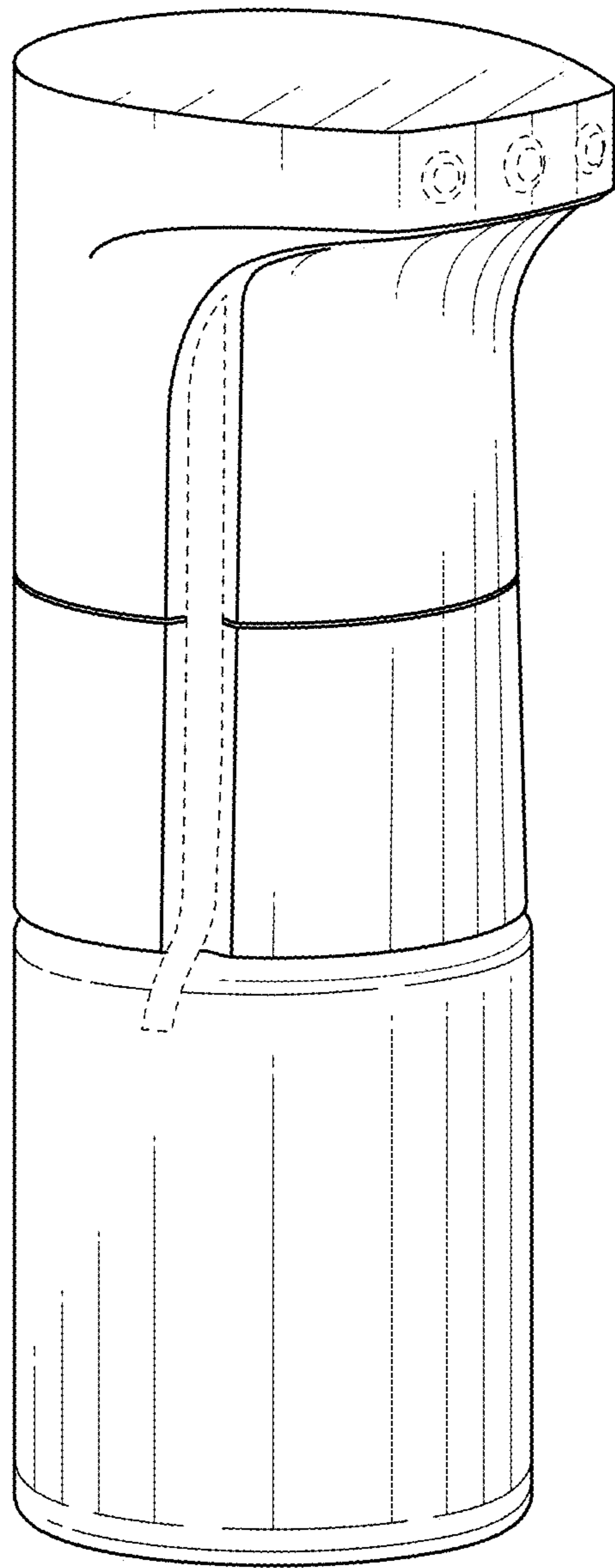


FIG. 1

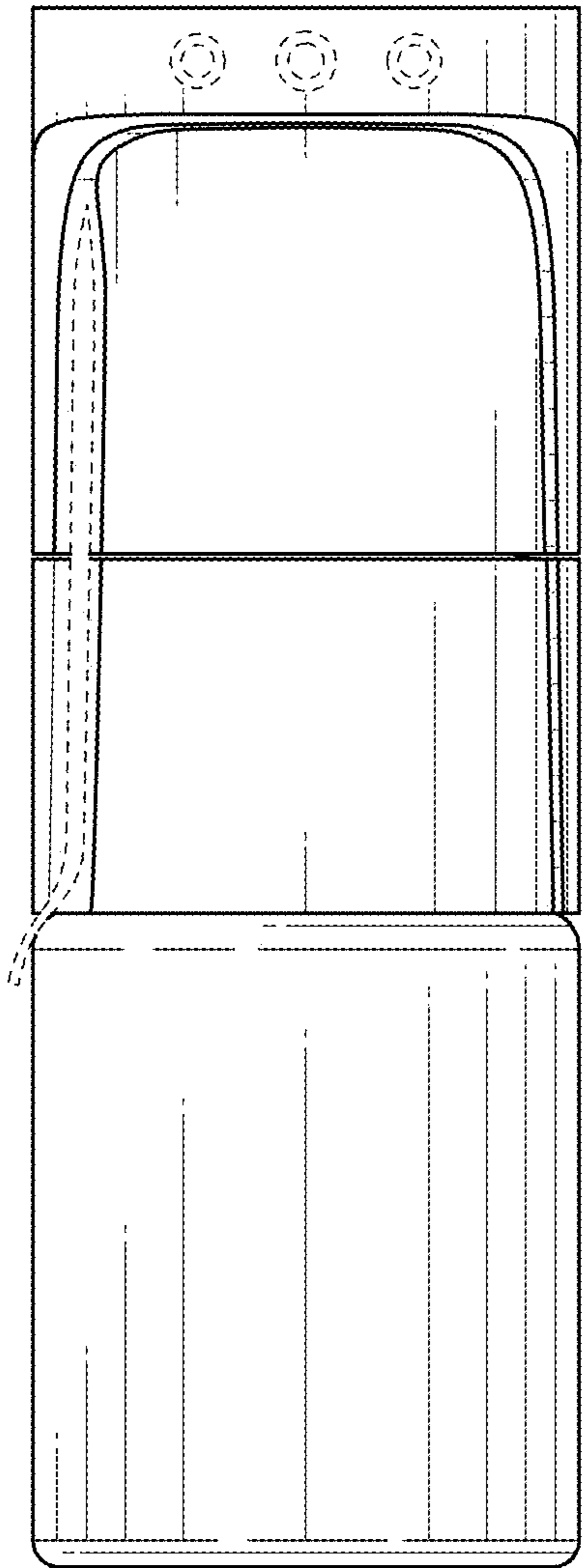


FIG. 2

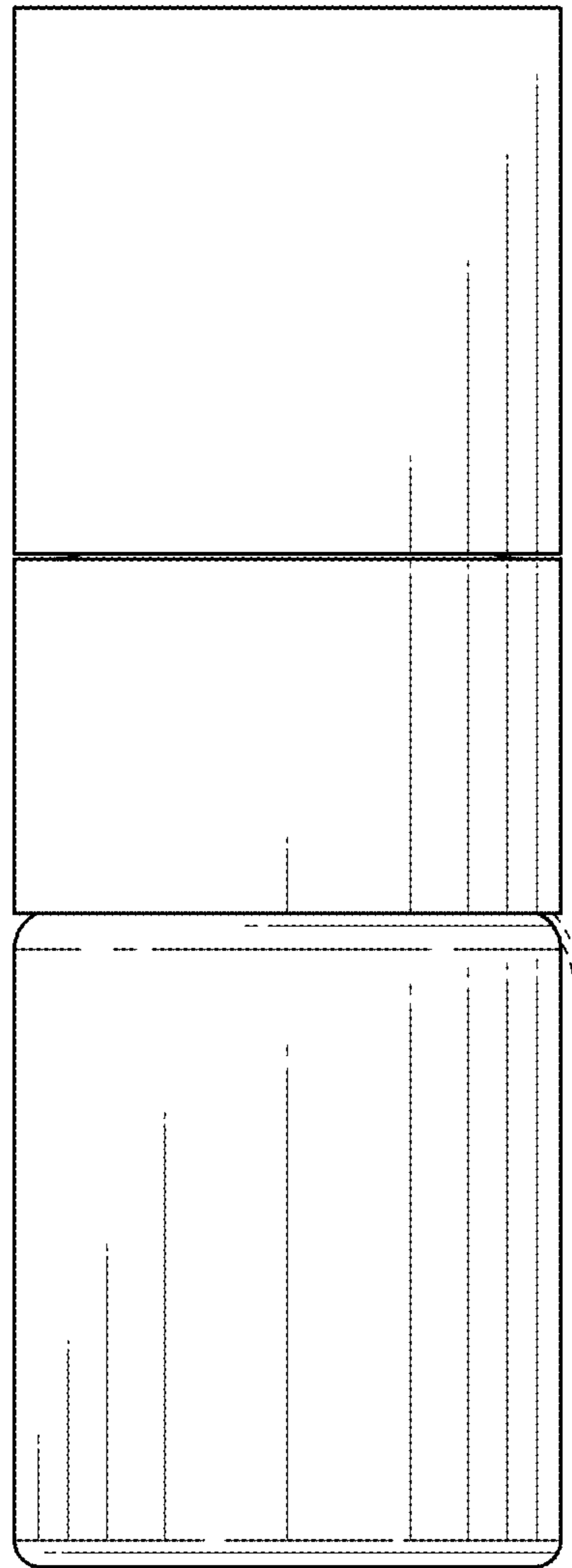


FIG. 3

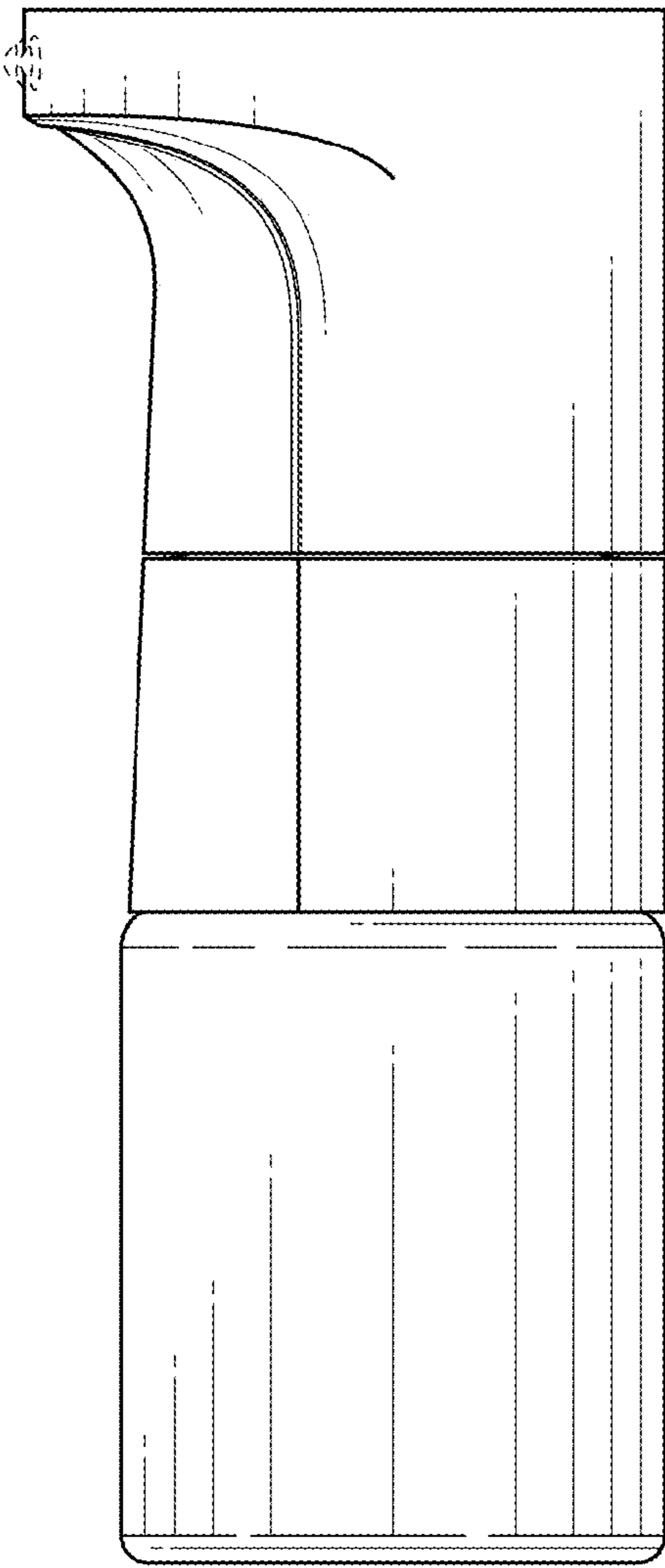


FIG. 4

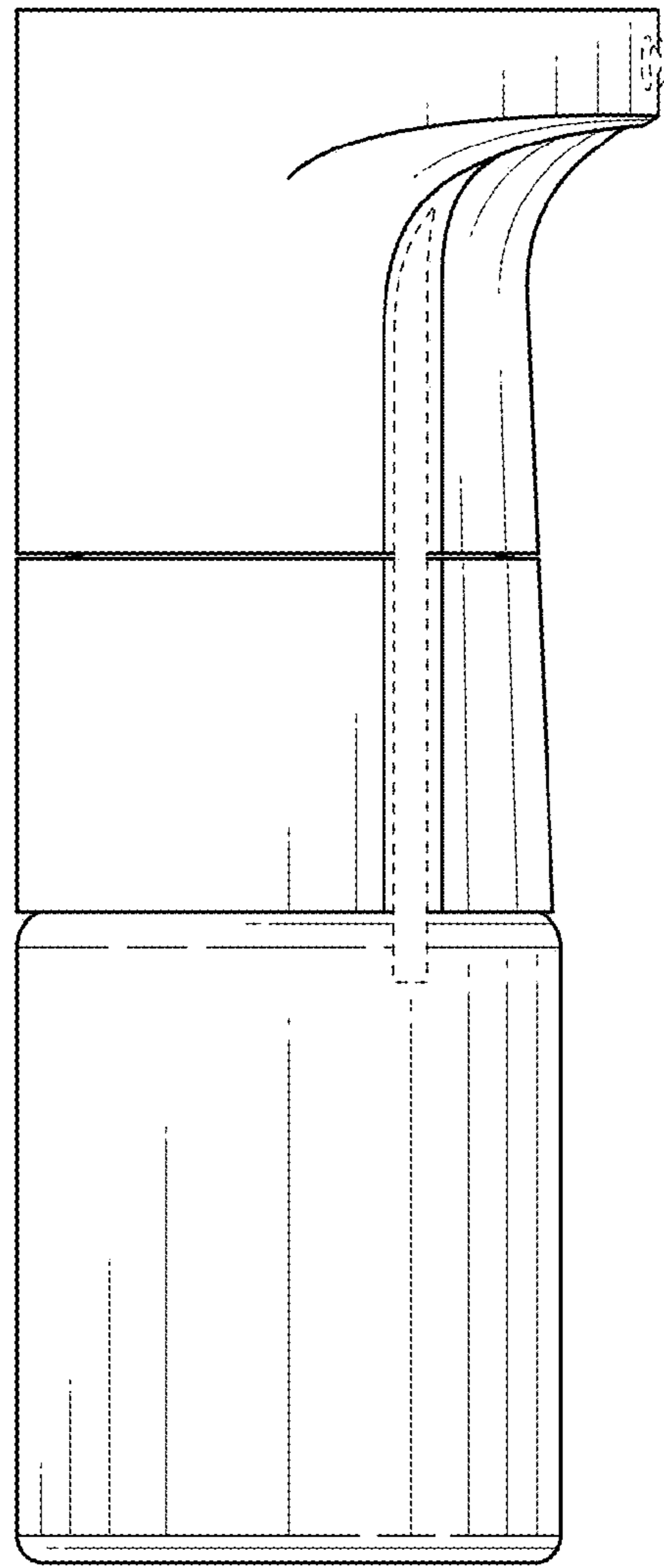


FIG. 5

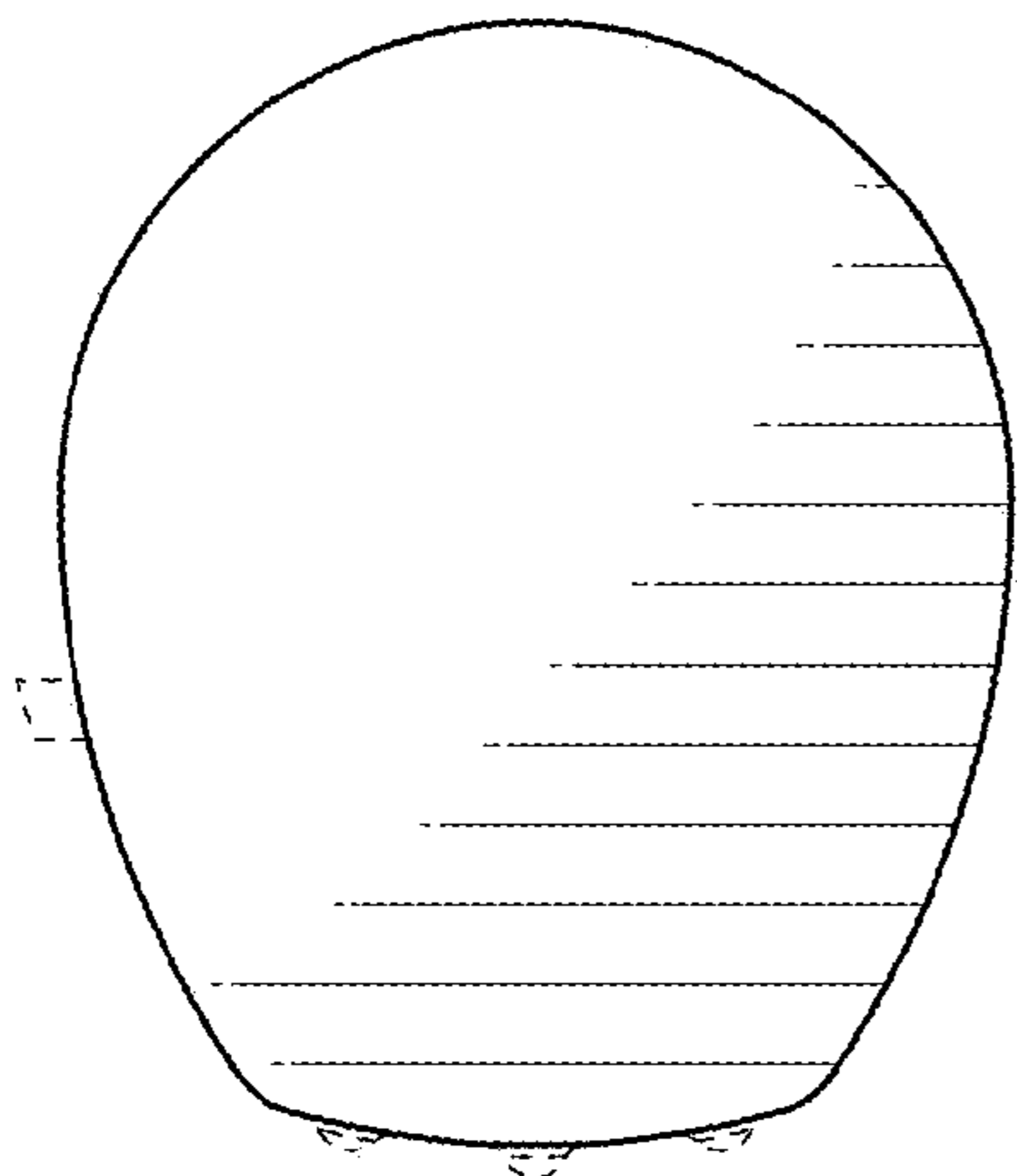


FIG. 6

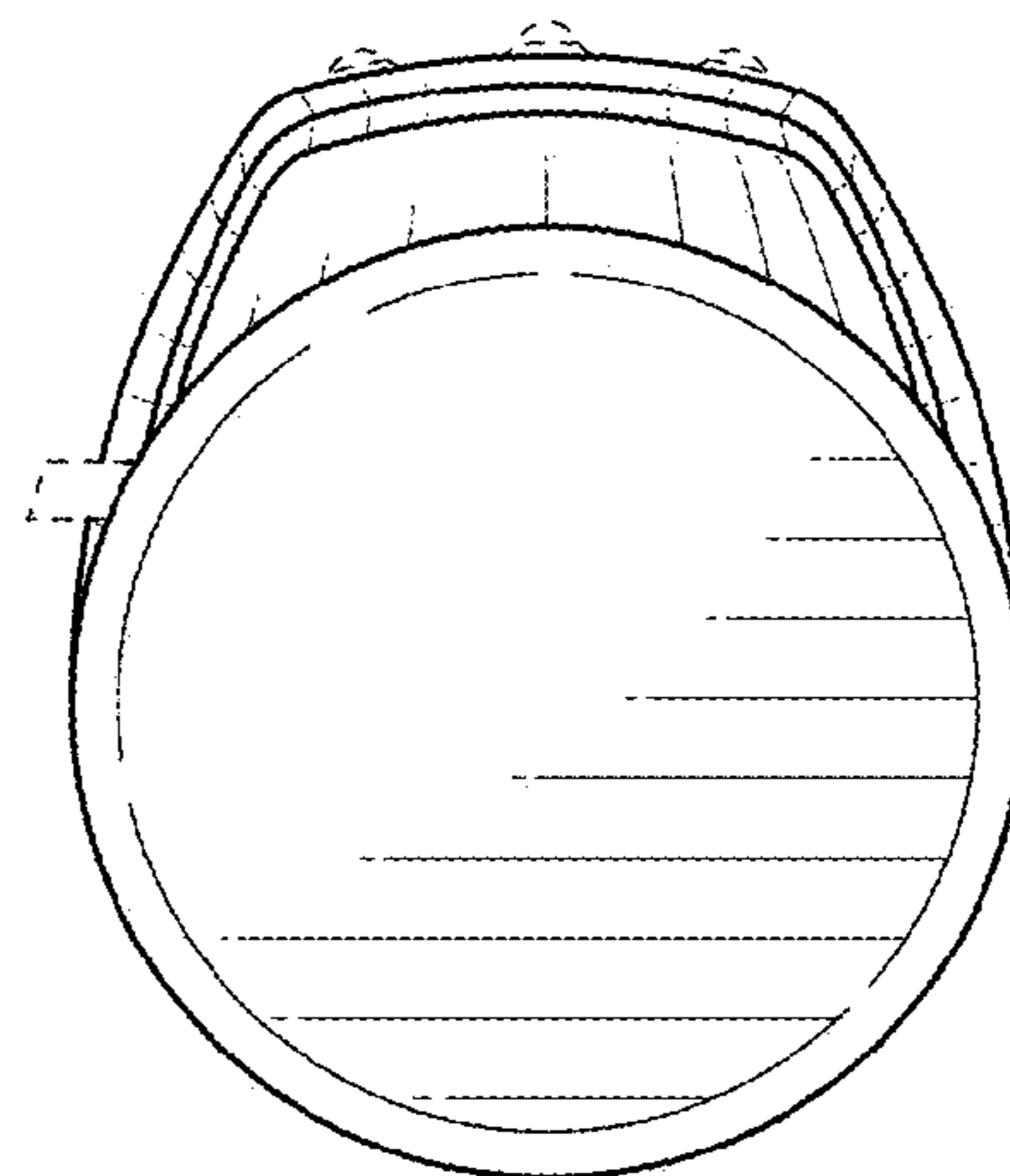


FIG. 7

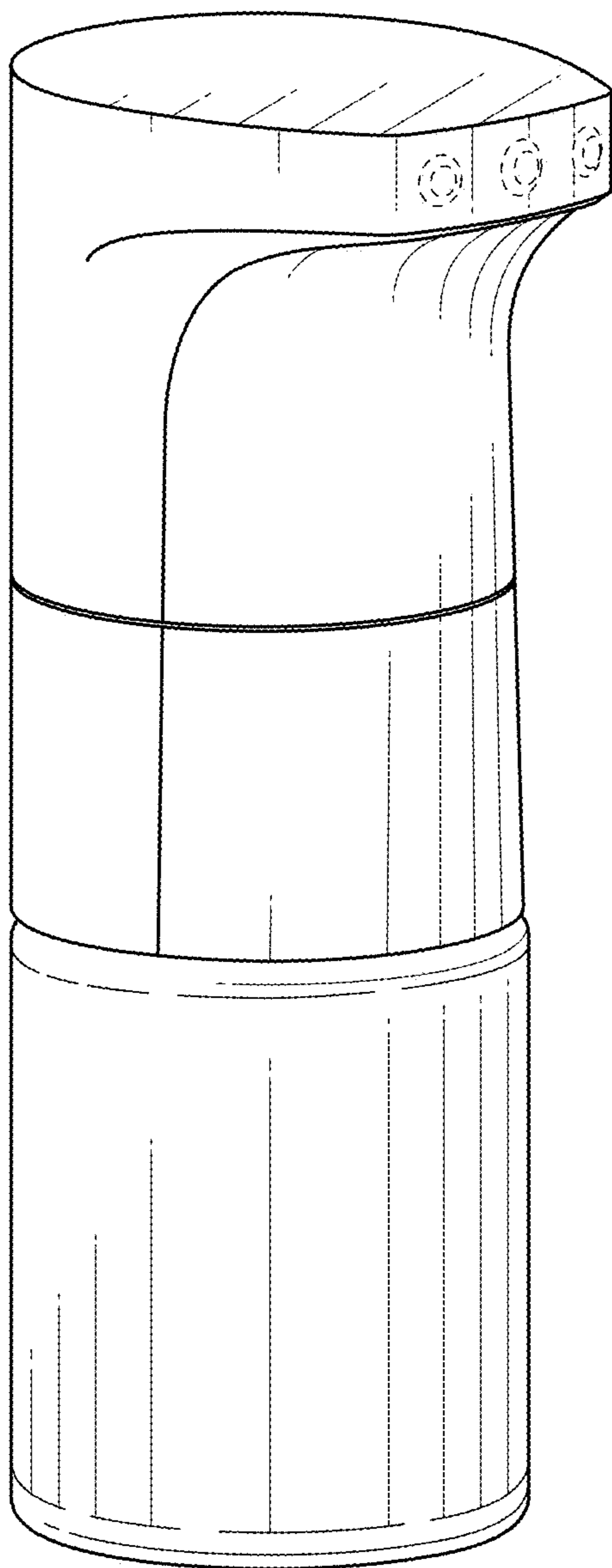


FIG. 8

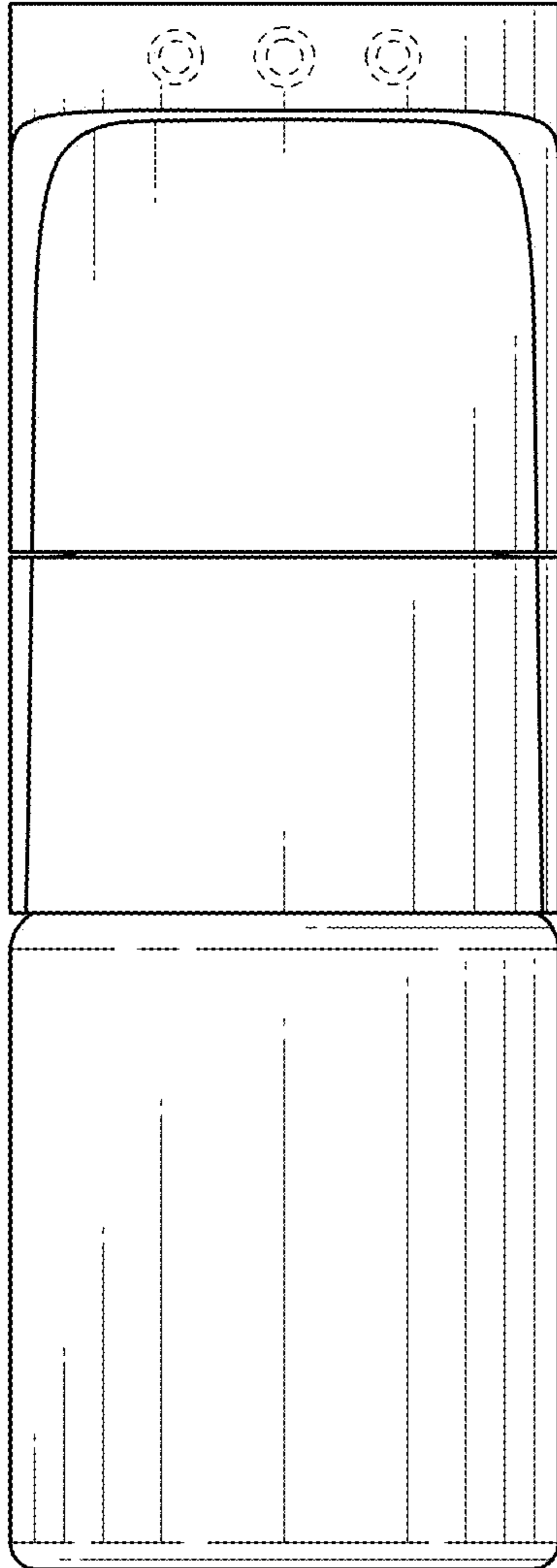


FIG. 9

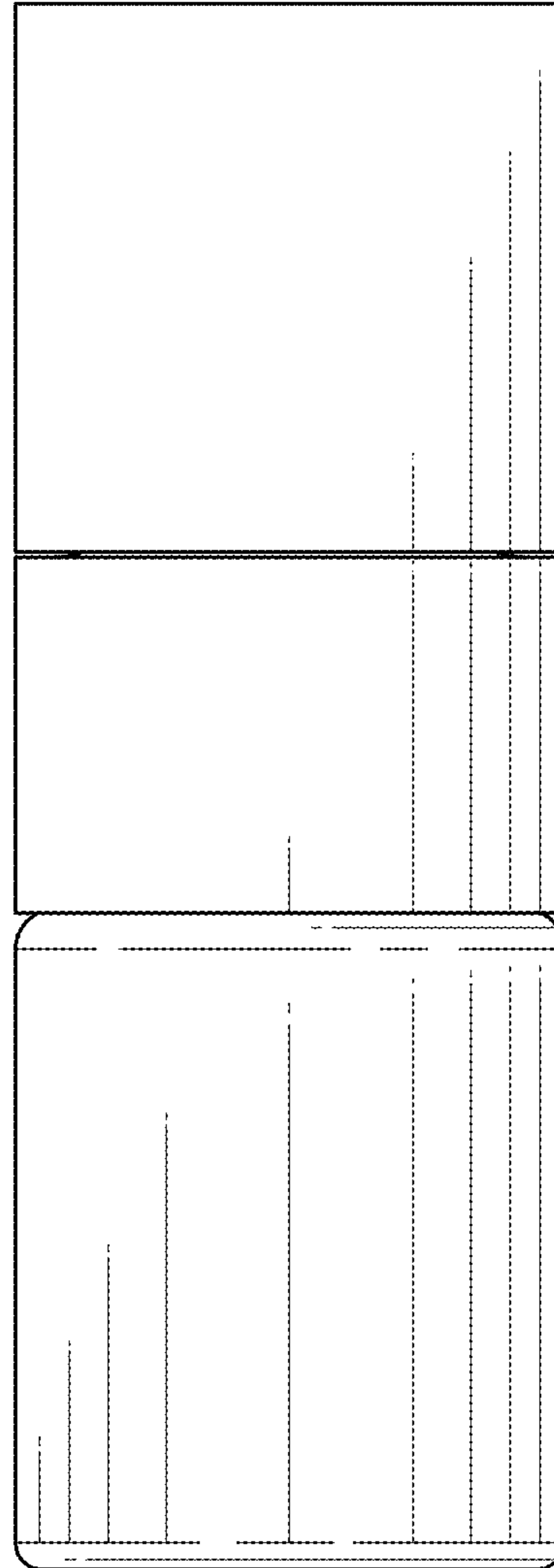


FIG. 10

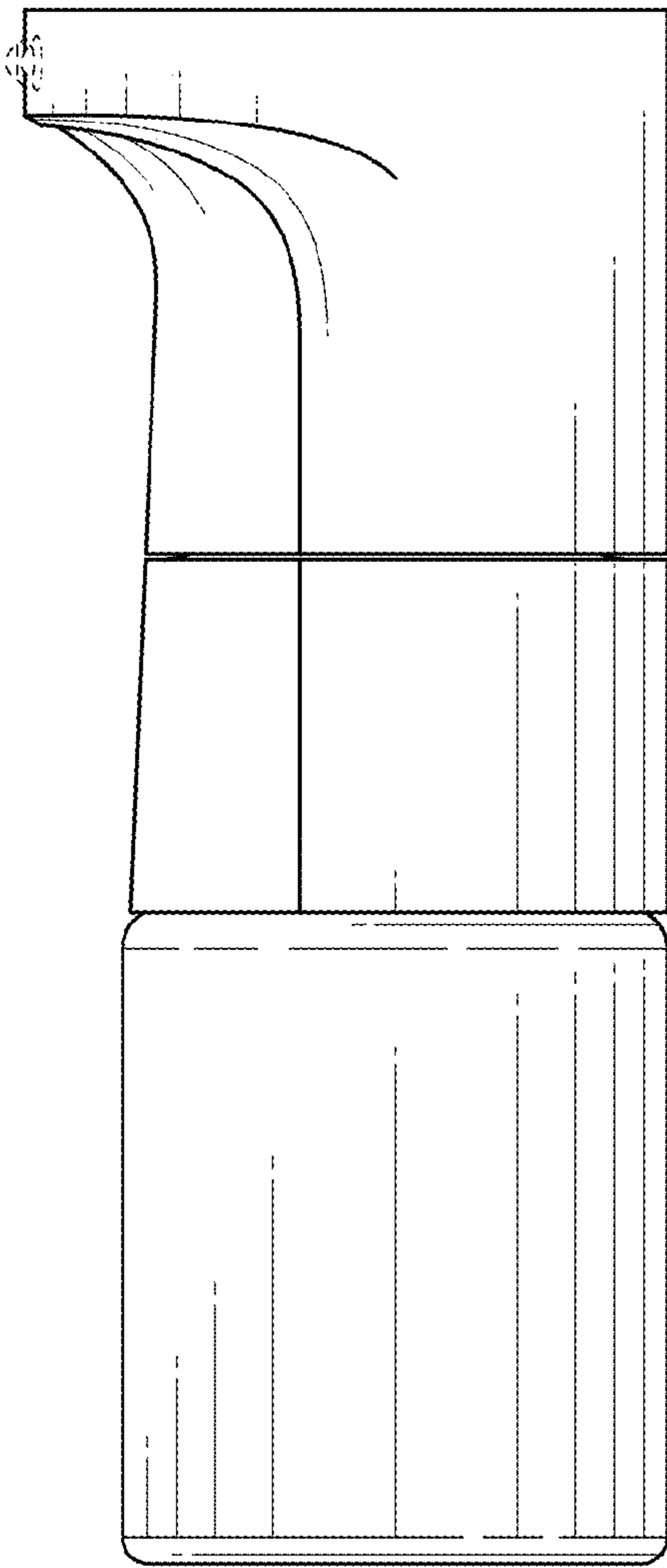


FIG. 11

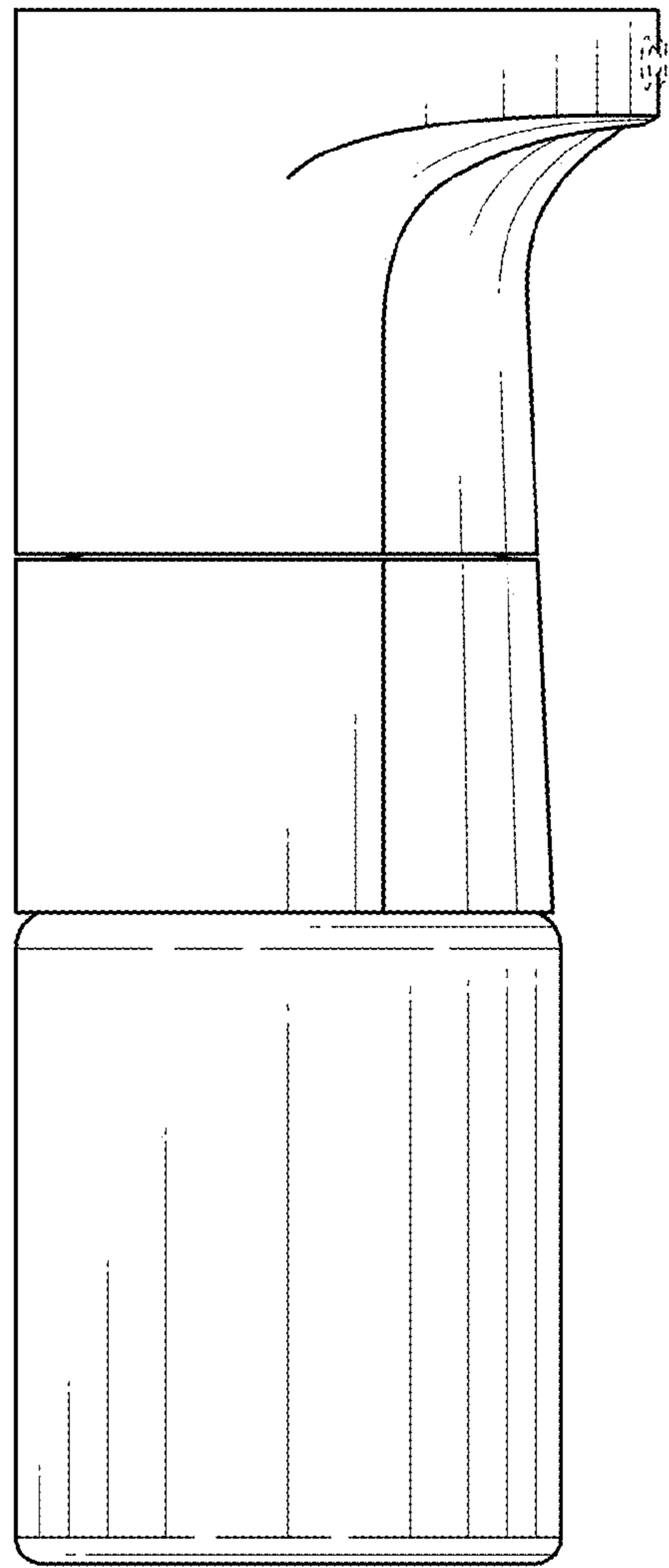


FIG. 12

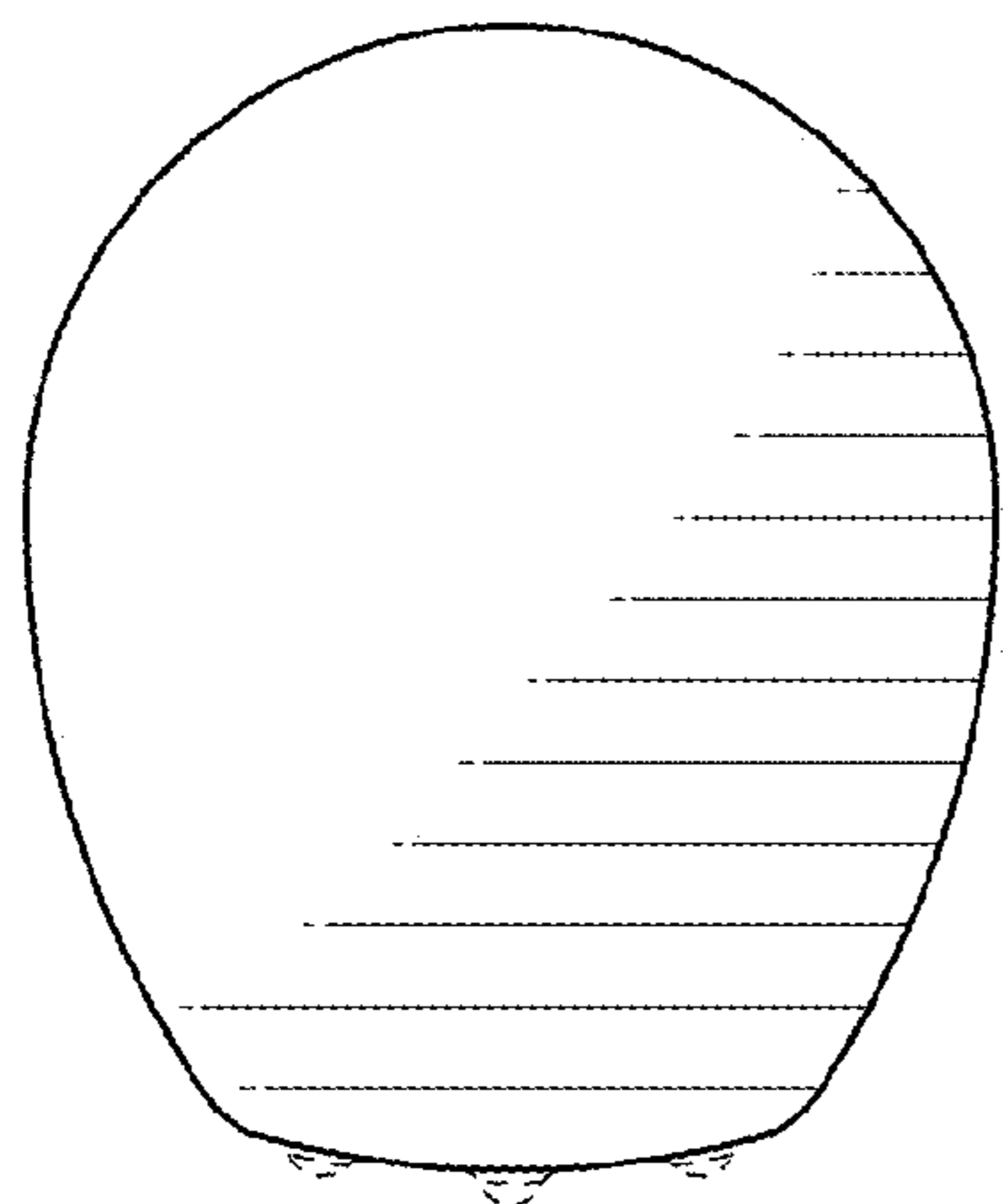


FIG. 13

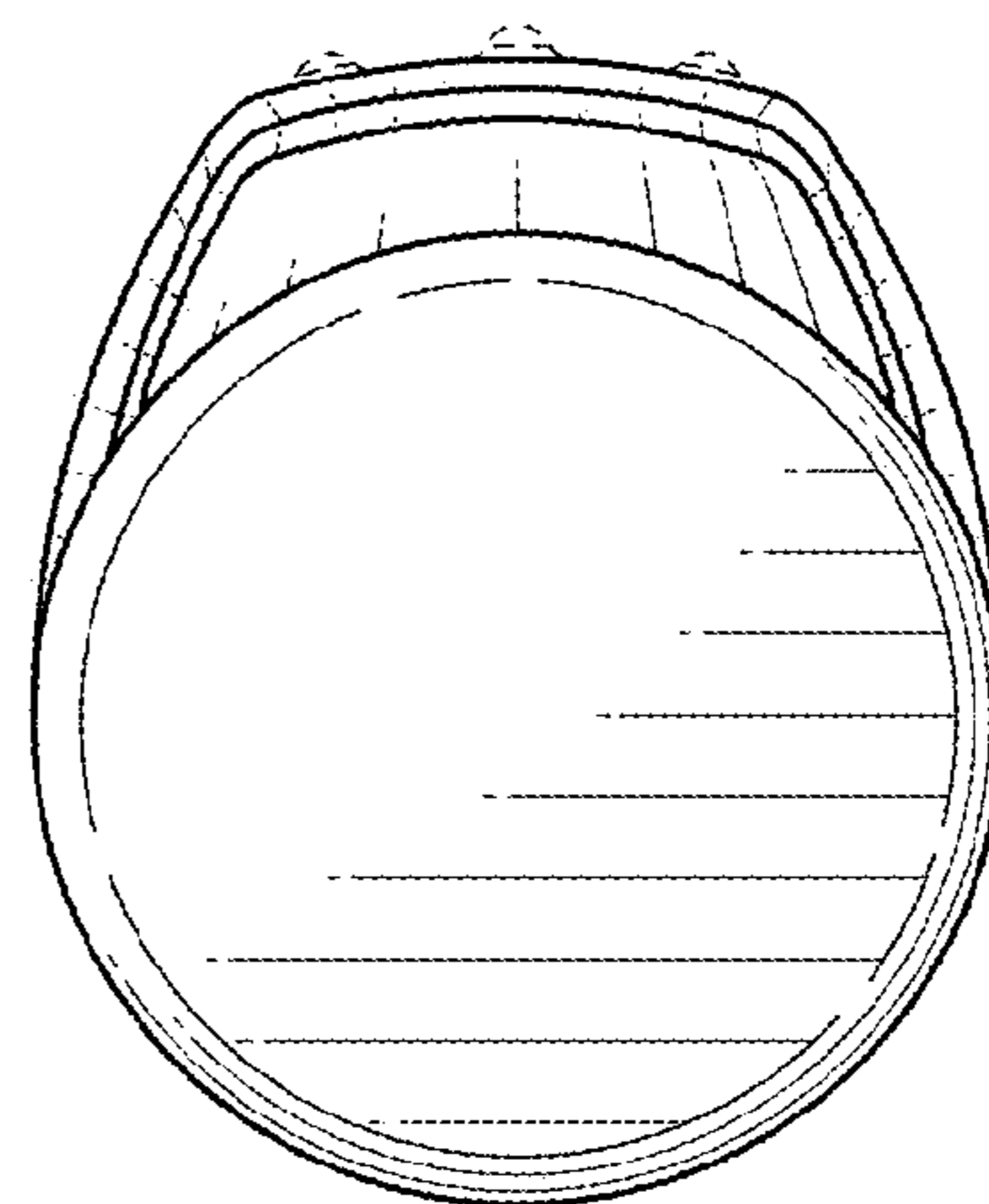


FIG. 14