



US00D955879S

(12) **United States Design Patent**
van de Ven

(10) **Patent No.:** **US D955,879 S**
(45) **Date of Patent:** **** Jun. 28, 2022**

(54) **CAP FOR DOSING FLUID FROM A TANK**

(71) Applicant: **Future Cleaning Technologies B.V.**,
Eindhoven (NL)

(72) Inventor: **Frank Peter William van de Ven**,
Eindhoven (NL)

(73) Assignee: **Future Cleaning Technologies B.V.**,
Eindhoven (NL)

(**) Term: **15 Years**

(21) Appl. No.: **29/652,221**

(22) Filed: **Jun. 15, 2020**

(30) **Foreign Application Priority Data**

Mar. 13, 2020 (EM) 7752670-0001

(51) **LOC (13) Cl.** **09-01**

(52) **U.S. Cl.**

USPC **D9/447**; D9/445; D9/454

(58) **Field of Classification Search**

USPC D9/439, 440, 442-449, 682, 685, 686,
D9/435, 450, 454, 531; D6/515;
D7/507, 509-511, 523, 391, 392, 392.1,
D7/396.2

CPC B65D 83/205; B65D 83/206; B65D 83/40;
B65D 2543/00046; A47G 19/2272

See application file for complete search history.

(56) **References Cited**

U.S. PATENT DOCUMENTS

- 3,734,359 A * 5/1973 Waterman B65D 47/305
222/484
- 3,741,447 A * 6/1973 Miles B65D 35/42
222/517
- 6,332,550 B1 * 12/2001 Bennett B65D 41/3428
215/256
- D539,150 S * 3/2007 Leoncavallo D9/454

- RE40,003 E * 1/2008 Bennett B65D 41/48
215/256
- D589,348 S * 3/2009 Miller B65D 47/305
D9/445
- D645,356 S * 9/2011 Wheaton D9/454
- D666,495 S * 9/2012 Biesecker D9/445

(Continued)

FOREIGN PATENT DOCUMENTS

- GB 2024909 * 1/1993
- GB 2028213 * 9/1993
- JP D1142329 * 6/2002

Primary Examiner — Brett Miller

Assistant Examiner — Rani J Abdallah

(74) *Attorney, Agent, or Firm* — Adsero IP

(57) **CLAIM**

The ornamental design for a cap for dosing fluid from a tank, as shown and described.

DESCRIPTION

FIG. 1 is a top, front, right perspective view of a cap for dosing fluid from a tank showing my new design;

FIG. 2 is a top plan view of the cap for dosing fluid from a tank of FIG. 1;

FIG. 3 is a bottom plan view of the cap for dosing fluid from a tank of FIG. 1;

FIG. 4 is a top, front, left perspective view of the cap for dosing fluid from a tank of FIG. 1;

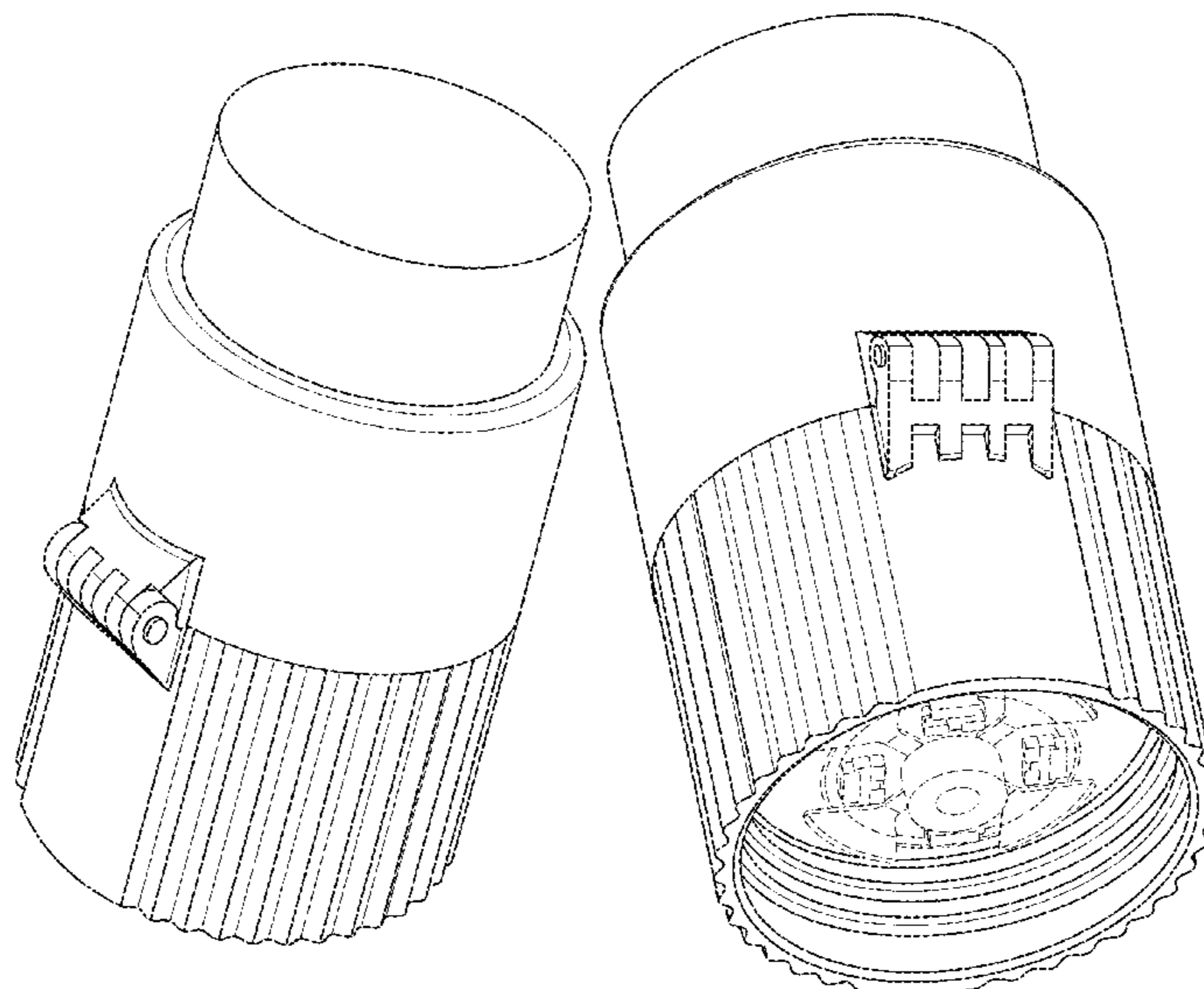
FIG. 5 is a top, rear, left perspective view of the cap for dosing fluid from a tank of FIG. 1;

FIG. 6 is a bottom rear perspective view of the cap for dosing fluid from a tank of FIG. 1; and,

FIG. 7 is a left side elevation view of the cap for dosing fluid from a tank of FIG. 1.

The broken lines showing portions of the design in all figures are included for the purpose of illustrating environment and unclaimed features and form no part of the claimed design.

1 Claim, 7 Drawing Sheets



(56)

References Cited

U.S. PATENT DOCUMENTS

D712,738 S * 9/2014 Clark D9/435
D850,495 S * 6/2019 Dubiel B65D 41/48
D9/447

* cited by examiner

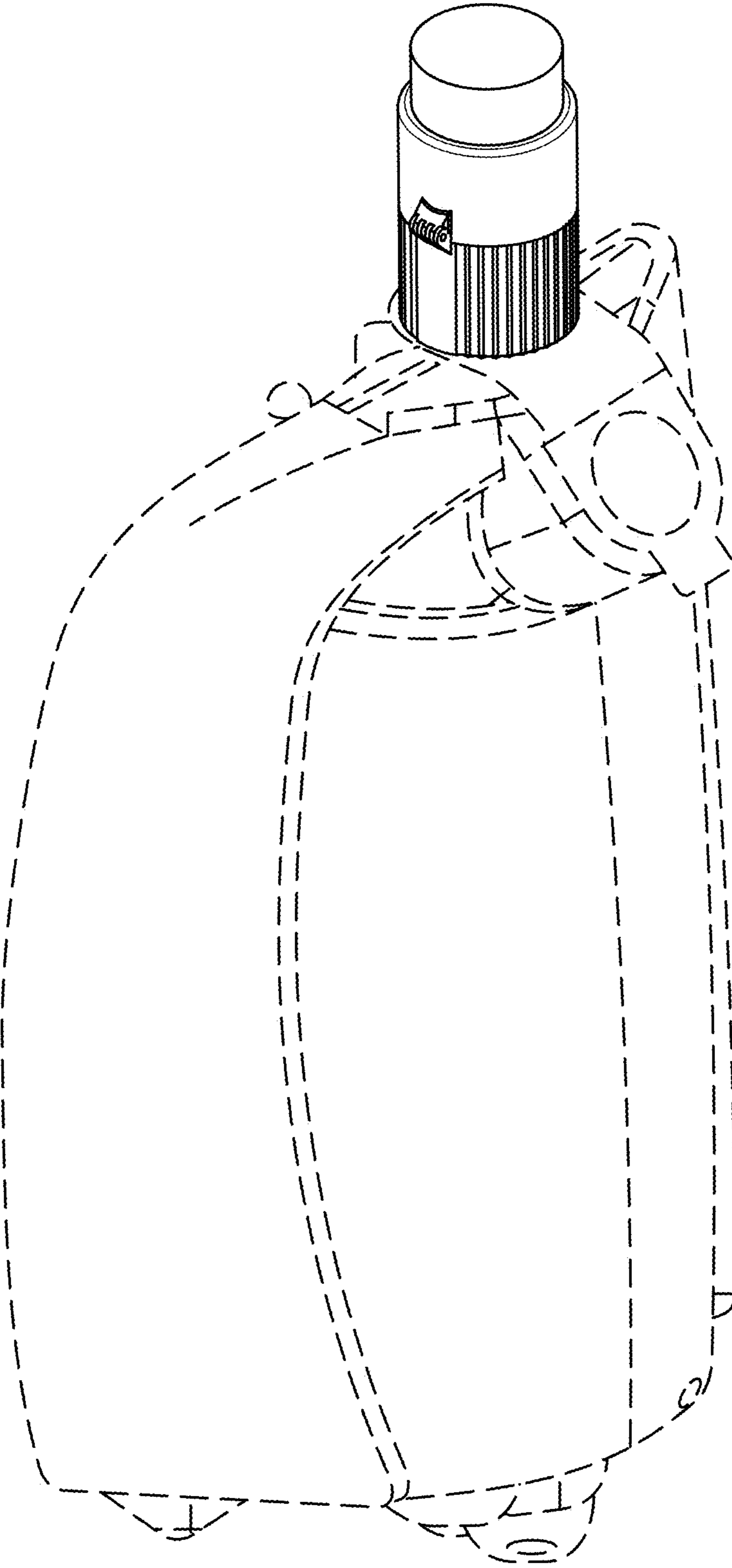


Fig. 1

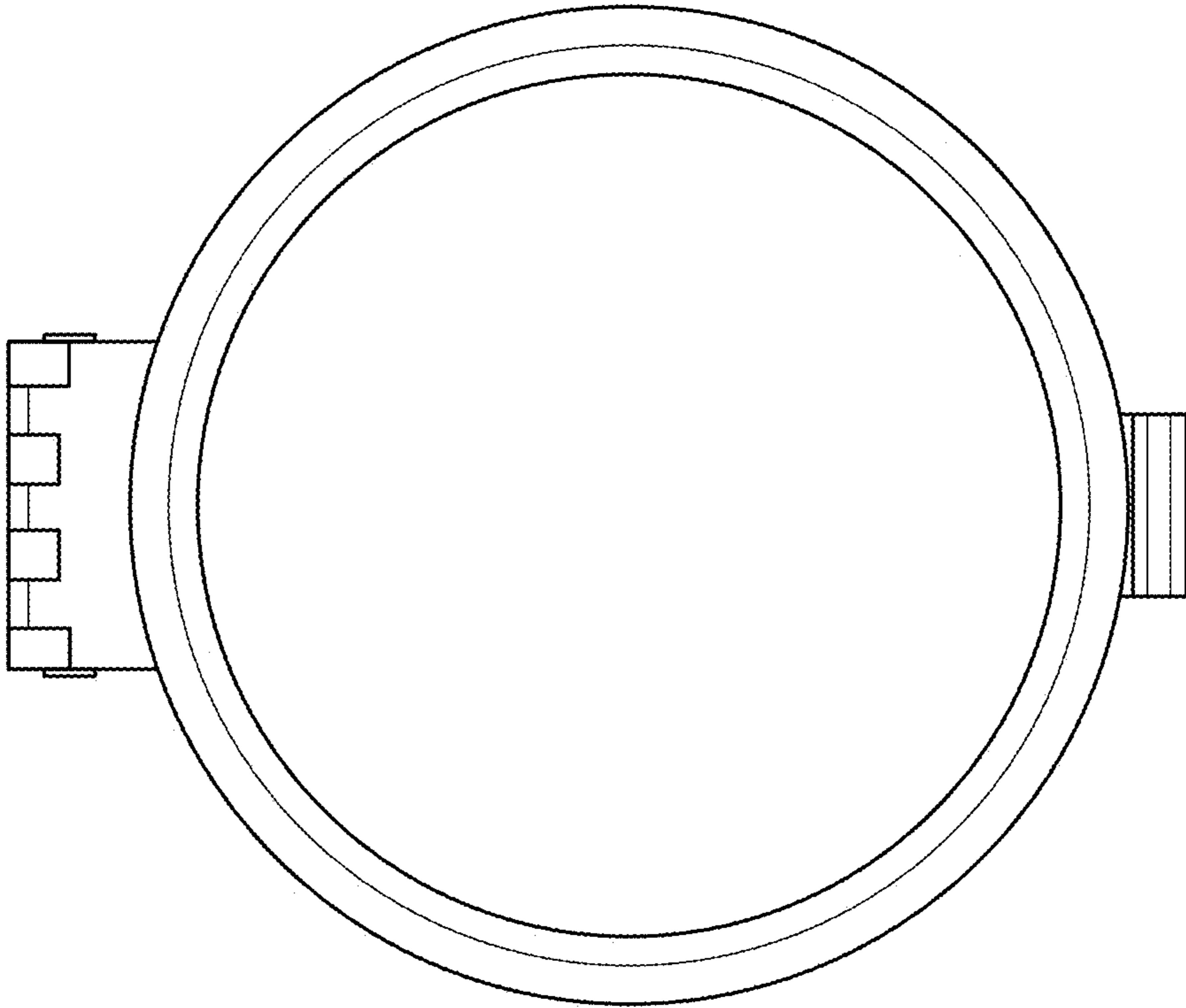


Fig. 2

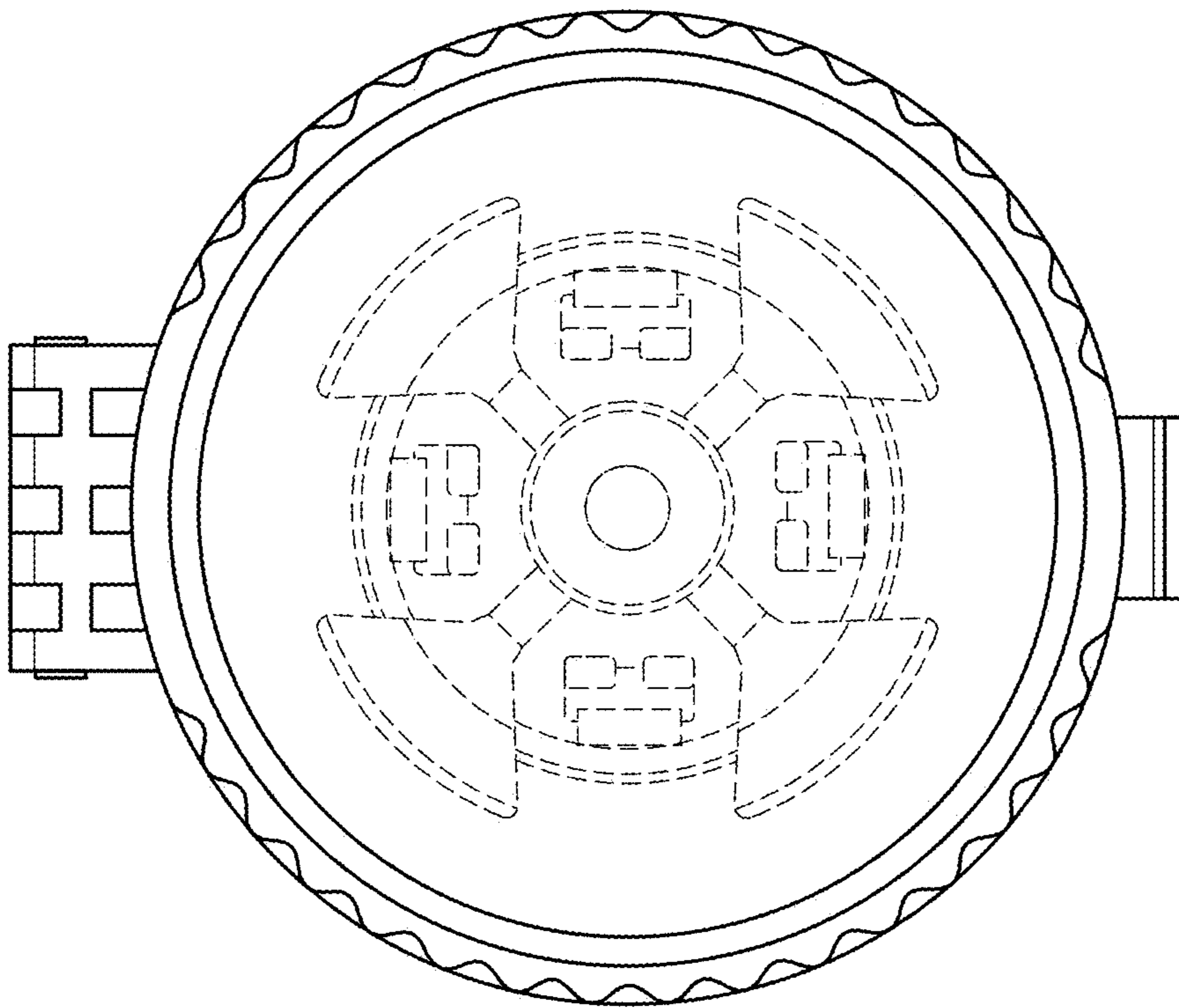


Fig. 3

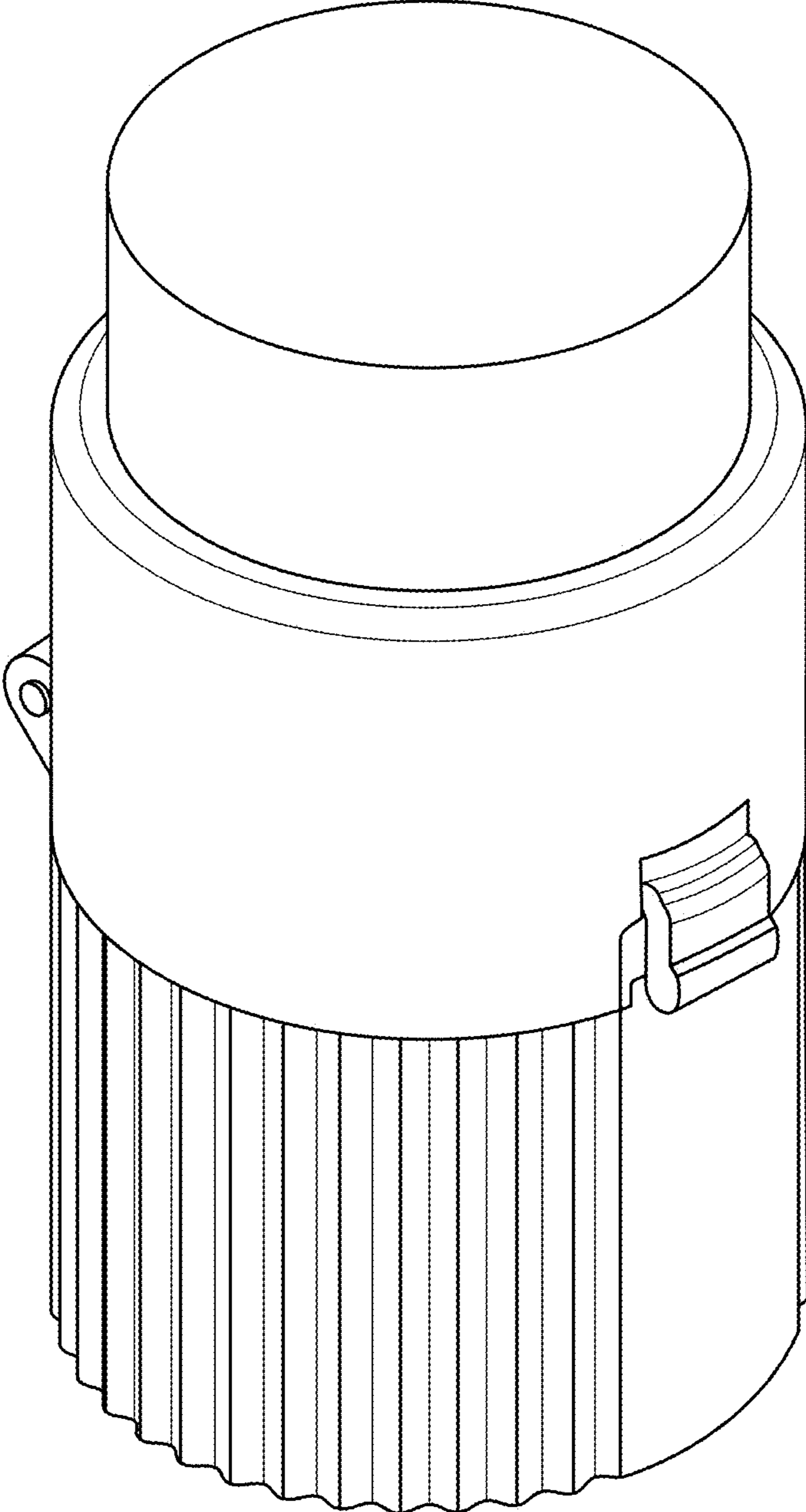


Fig. 4

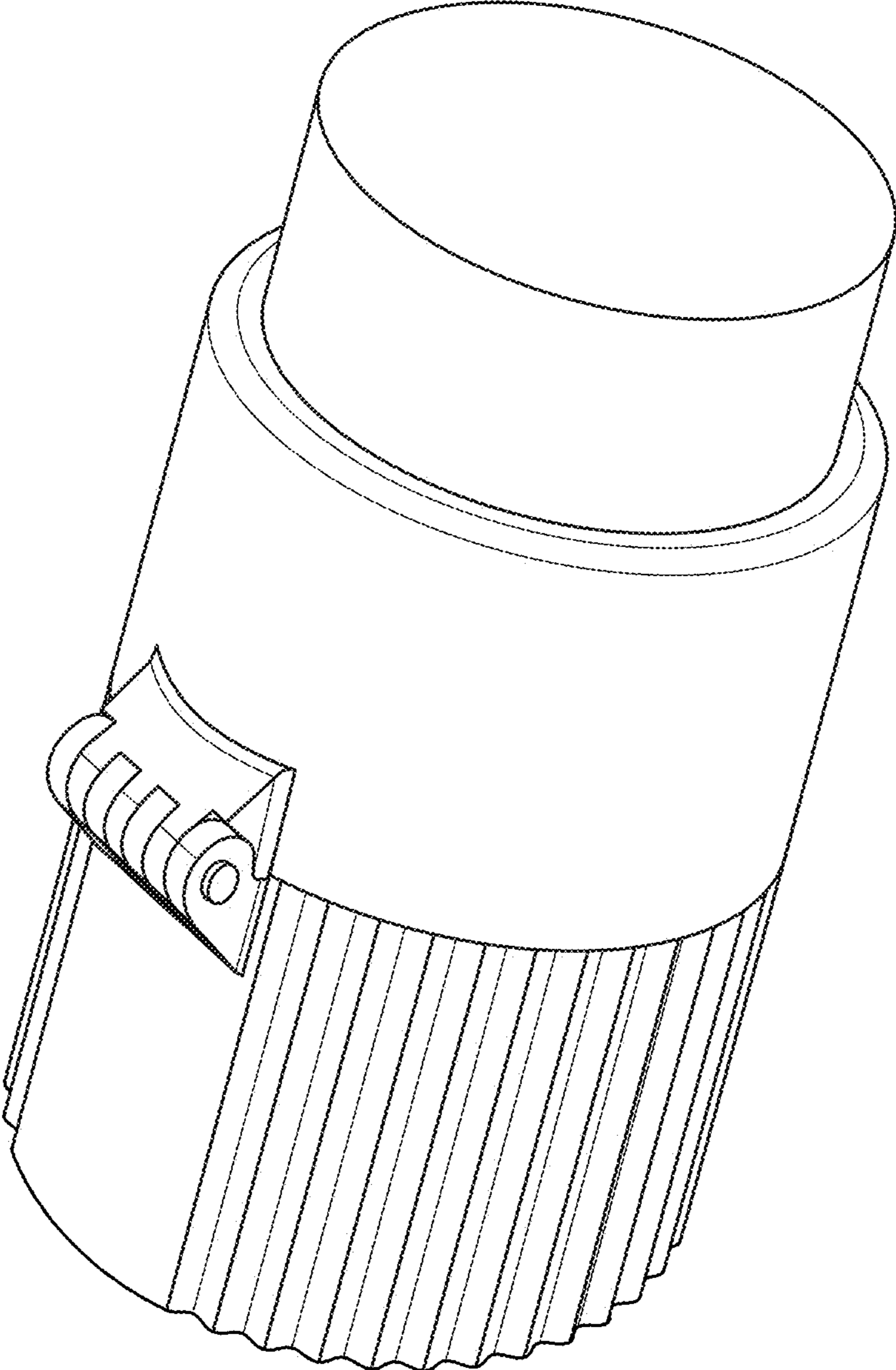


Fig. 5

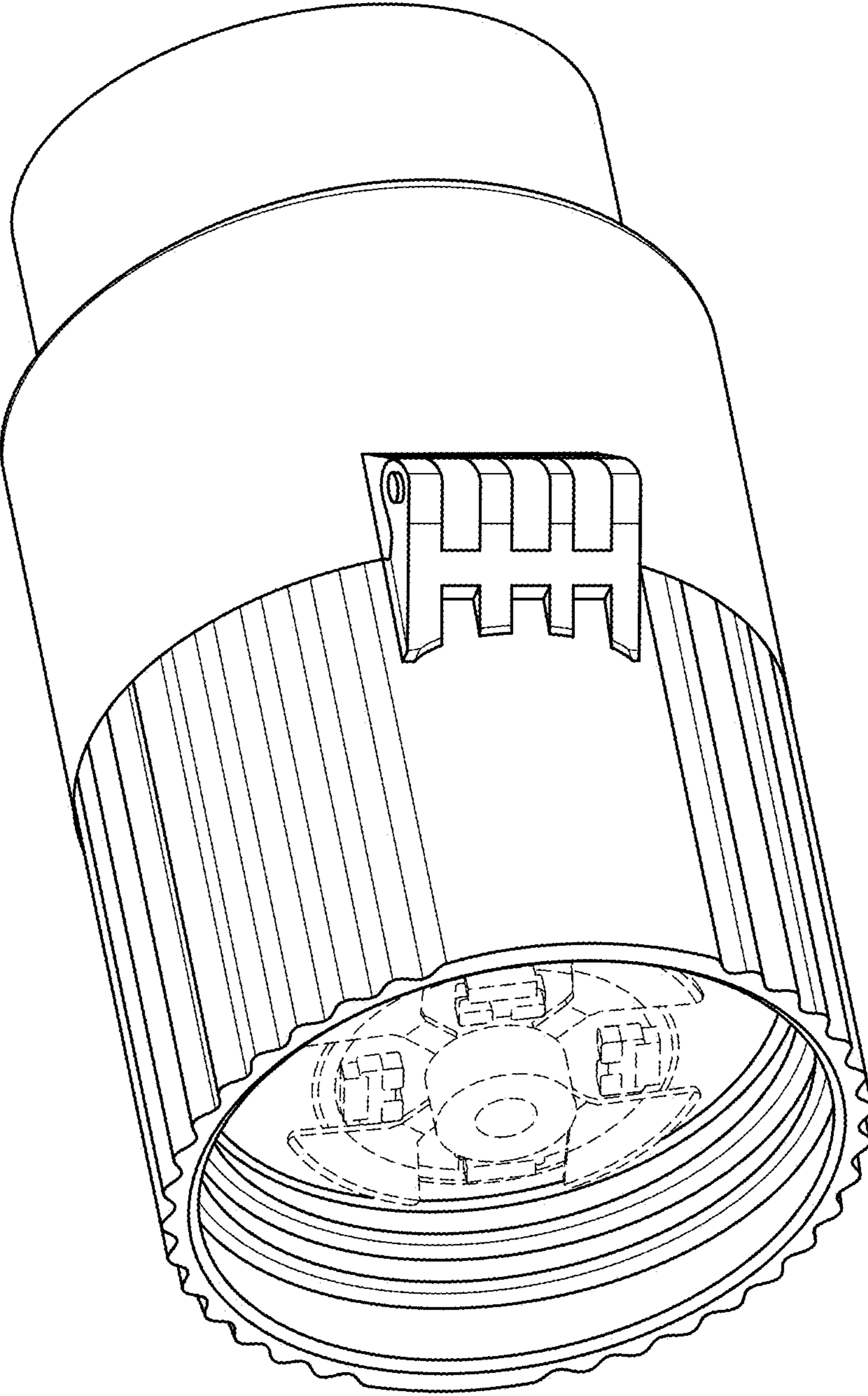


Fig. 6

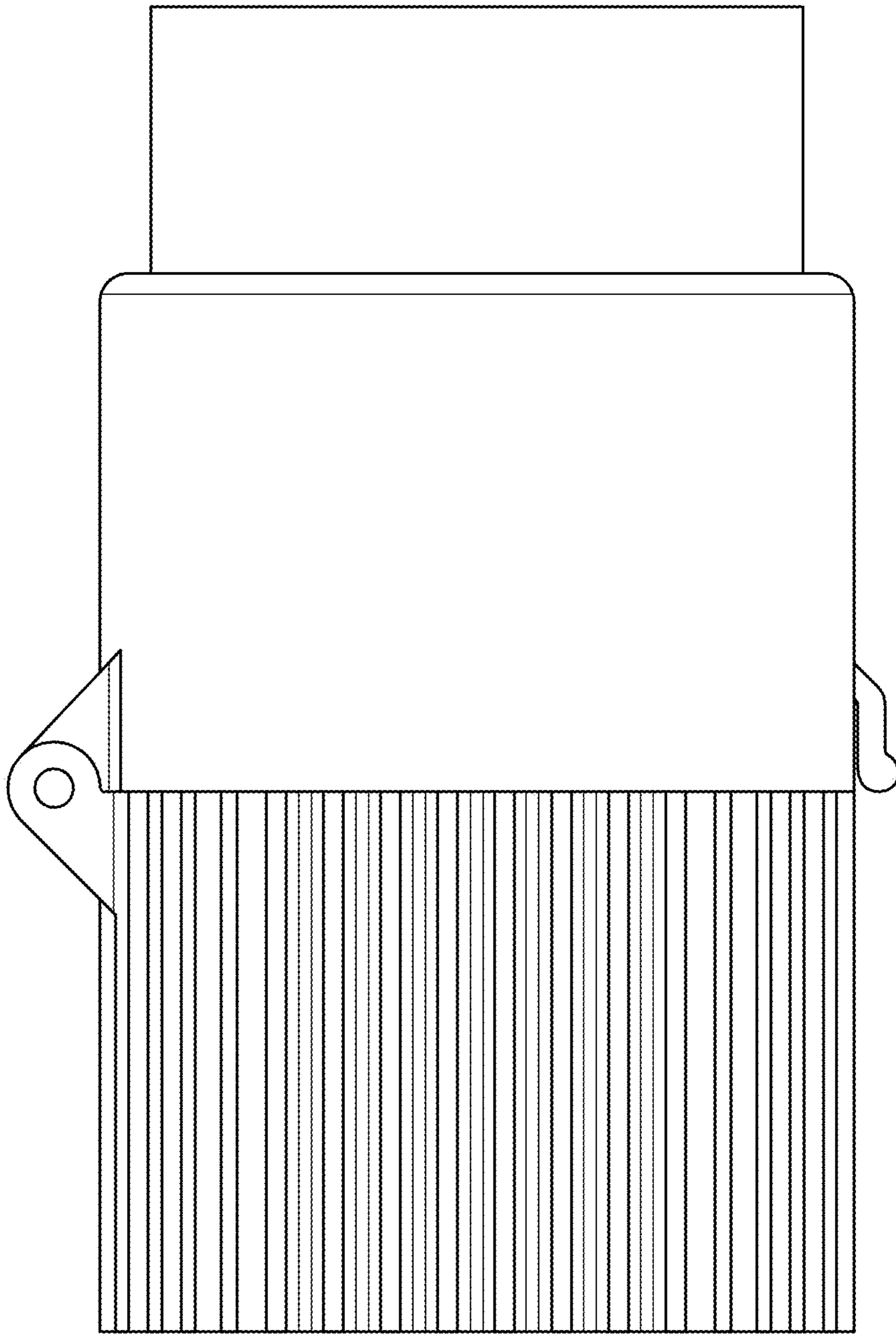


Fig. 7