



US00D955876S

(12) **United States Design Patent**  
**Sill et al.**

(10) **Patent No.:** **US D955,876 S**  
(45) **Date of Patent:** **\*\* \*Jun. 28, 2022**

- (54) **FOOD CARTON**
- (71) Applicant: **Inno-Pak, LLC**, Delaware, OH (US)
- (72) Inventors: **Jonathan D. Sill**, Delaware, OH (US);  
**Steven A. Mayer**, Indianapolis, IN (US)
- (73) Assignee: **Inno-Pak, LLC**, Delaware, OH (US)
- (\*) Notice: This patent is subject to a terminal disclaimer.
- (\*\*) Term: **15 Years**
- (21) Appl. No.: **29/708,952**
- (22) Filed: **Oct. 10, 2019**

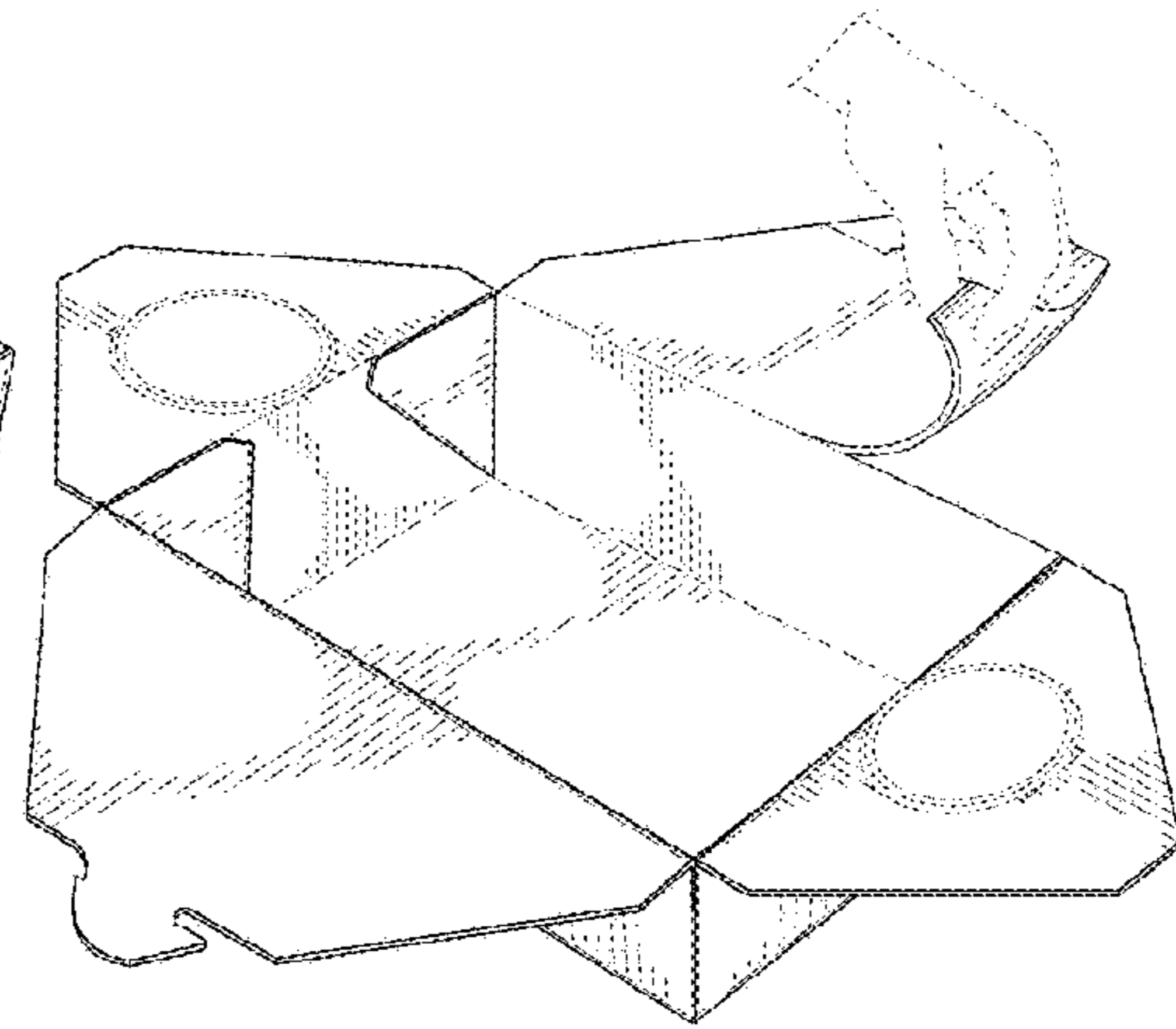
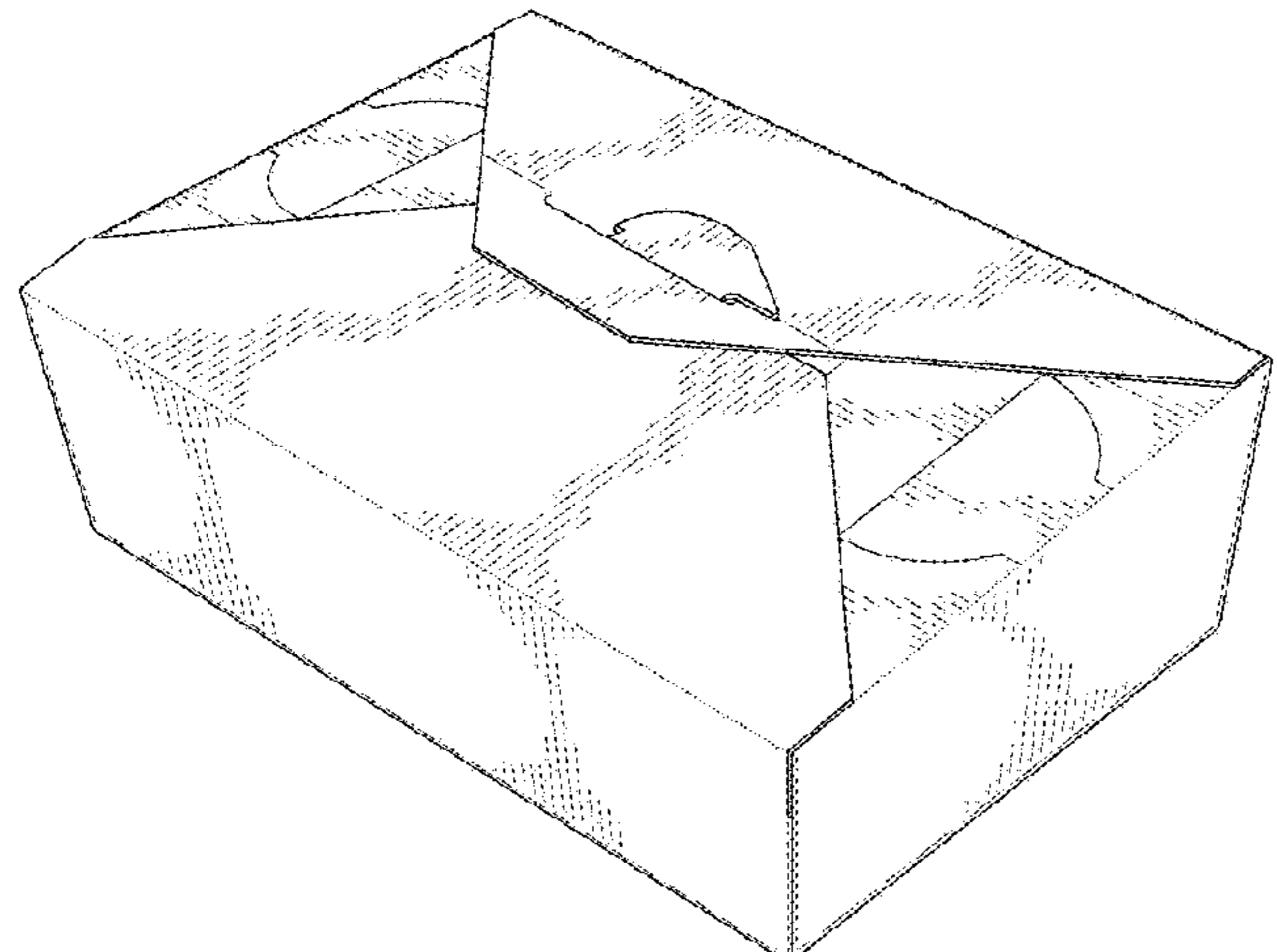
**Related U.S. Application Data**

- (62) Division of application No. 29/644,833, filed on Apr. 20, 2018, now Pat. No. Des. 876,951.
- (51) **LOC (13) Cl.** ..... **09-03**
- (52) **U.S. Cl.**  
USPC ..... **D9/431; D9/421**
- (58) **Field of Classification Search**  
USPC ..... D9/414-423, 424-429, 430-433, 434,  
D9/456, 457, 711, 713, 721-722, 737,  
D9/756, 758, 759, 760; D3/272-274;  
D20/10, 22, 27, 40, 42  
CPC ... B65D 5/00; B65D 5/02; B65D 5/18; B65D  
5/20  
See application file for complete search history.

|             |         |                   |
|-------------|---------|-------------------|
| 2,793,801 A | 5/1957  | Papadopoulos      |
| D183,716 S  | 10/1958 | Burns             |
| 2,927,502 A | 3/1960  | Watrous           |
| 3,027,063 A | 3/1962  | Zastrow           |
| D194,246 S  | 12/1962 | Engelmann         |
| D200,249 S  | 2/1965  | Hancock           |
| D211,564 S  | 7/1968  | Bailey            |
| D214,523 S  | 6/1969  | Stone             |
| D217,441 S  | 5/1970  | Kanaga            |
| D219,263 S  | 11/1970 | Castelli et al.   |
| 3,595,425 A | 7/1971  | Eicholtz et al.   |
| D224,090 S  | 7/1972  | Cyr et al.        |
| D232,524 S  | 8/1974  | Schy              |
| 3,853,220 A | 12/1974 | Luray             |
| D241,016 S  | 8/1976  | Reynold           |
| D255,011 S  | 5/1980  | Cooper et al.     |
| D259,615 S  | 6/1981  | Morris, Jr.       |
| D260,604 S  | 9/1981  | Otto              |
| D280,290 S  | 8/1985  | Bakus             |
| D329,376 S  | 9/1992  | Burd              |
| 5,322,182 A | 6/1994  | Fritz             |
| D352,203 S  | 11/1994 | Bakus             |
| 5,411,204 A | 5/1995  | DeMay             |
| D363,856 S  | 11/1995 | Westbrooks, Jr.   |
| D367,172 S  | 2/1996  | Brightbill et al. |
| D371,940 S  | 7/1996  | Krupa             |
| D394,385 S  | 5/1998  | Laughlin          |
| D395,547 S  | 6/1998  | Sussman           |
| D397,294 S  | 8/1998  | Saulas            |
| D398,526 S  | 9/1998  | Schwarz et al.    |
| 5,873,220 A | 2/1999  | Haraldsson et al. |
| D409,908 S  | 5/1999  | Besana            |
| D412,398 S  | 8/1999  | Watabe            |
| D440,118 S  | 4/2001  | Claffy et al.     |
| D442,859 S  | 5/2001  | Hirschey          |
| D444,703 S  | 7/2001  | Allasia           |
| D448,130 S  | 9/2001  | Wagner            |
| D451,769 S  | 12/2001 | Stanos et al.     |
| D454,495 S  | 3/2002  | Bryan et al.      |
| D460,689 S  | 7/2002  | Robinson          |
| D461,406 S  | 8/2002  | Iacovelli         |
| D467,798 S  | 12/2002 | Cohon             |
| D484,364 S  | 12/2003 | Bailey et al.     |
| D484,799 S  | 1/2004  | Hoffman et al.    |
| D495,251 S  | 8/2004  | Zack              |
| D497,309 S  | 10/2004 | Nordland et al.   |
| D504,813 S  | 5/2005  | Chou              |
| D509,733 S  | 9/2005  | Jongens           |
| D512,836 S  | 12/2005 | Marnell, II       |
| D519,366 S  | 4/2006  | Epstein           |
| D519,830 S  | 5/2006  | Yocum             |
| D521,376 S  | 5/2006  | Mosto             |
| D521,862 S  | 5/2006  | Siethoff et al.   |

(56) **References Cited**  
U.S. PATENT DOCUMENTS

|             |         |             |
|-------------|---------|-------------|
| D73,127 S   | 7/1927  | Greve       |
| 2,019,870 A | 11/1935 | Perry       |
| 2,062,949 A | 12/1936 | Taylor      |
| D106,826 S  | 11/1937 | Dieffenbach |
| D126,123 S  | 3/1941  | Clemens     |
| 2,409,736 A | 10/1946 | Caimi       |
| D158,362 S  | 5/1950  | Dischler    |
| 2,568,170 A | 9/1951  | Ringler     |



# US D955,876 S

|              |         |                       |                 |         |                          |
|--------------|---------|-----------------------|-----------------|---------|--------------------------|
| D531,498 S   | 11/2006 | Fluegel et al.        | D728,359 S      | 5/2015  | Iwegbu                   |
| D542,129 S   | 5/2007  | Moorman               | D728,364 S      | 5/2015  | Baker et al.             |
| D549,456 S   | 8/2007  | Dretzka               | D730,178 S      | 5/2015  | Fullan                   |
| D549,457 S   | 8/2007  | Dretzka               | D731,325 S      | 6/2015  | Loessin                  |
| D557,047 S   | 12/2007 | Dretzka               | D735,576 S      | 8/2015  | Aldridge                 |
| D561,023 S   | 2/2008  | Jacxsens              | D737,820 S      | 9/2015  | Yu et al.                |
| D561,408 S   | 2/2008  | Marsh                 | 9,211,970 B2    | 12/2015 | Hubbard, Jr. et al.      |
| D562,125 S   | 2/2008  | Kienemund-Paroll      | 9,216,837 B2    | 12/2015 | Hubbard et al.           |
| D563,673 S   | 3/2008  | Dretzka               | D746,643 S      | 1/2016  | Kraemer                  |
| D567,671 S   | 4/2008  | Say Ulin              | D752,429 S      | 3/2016  | Mayer                    |
| D568,765 S   | 5/2008  | Miles                 | 9,309,023 B2    | 4/2016  | Hubbard, Jr. et al.      |
| D573,408 S   | 7/2008  | Lovett                | D758,184 S      | 6/2016  | Tu et al.                |
| D576,482 S   | 9/2008  | Debusk                | D762,468 S *    | 8/2016  | Pantelleria ..... D9/423 |
| D578,387 S   | 10/2008 | Lovett                | D763,706 S      | 8/2016  | Shum et al.              |
| D582,268 S   | 12/2008 | Zanaletti             | D764,276 S      | 8/2016  | Das et al.               |
| D584,108 S   | 1/2009  | Olsson                | D764,281 S      | 8/2016  | Mayer                    |
| D590,596 S   | 4/2009  | Dretzka               | D767,409 S      | 9/2016  | Nickell                  |
| D595,155 S   | 6/2009  | Larson                | D770,270 S      | 11/2016 | Mcgarry et al.           |
| D596,027 S   | 7/2009  | Kalberer              | D771,486 S      | 11/2016 | Mayer                    |
| D596,448 S   | 7/2009  | Nolan                 | D772,053 S      | 11/2016 | Mayer                    |
| D596,449 S   | 7/2009  | Nolan                 | D775,946 S      | 1/2017  | Ghini et al.             |
| D596,903 S   | 7/2009  | Willis et al.         | D775,947 S *    | 1/2017  | Epstein ..... D9/433     |
| D599,611 S   | 9/2009  | Hoekstra              | D777,029 S      | 1/2017  | Stratton                 |
| D605,896 S   | 12/2009 | Zalewski et al.       | D778,115 S      | 2/2017  | Strachan                 |
| D608,153 S   | 1/2010  | Furlong               | D778,155 S      | 2/2017  | Strachan                 |
| D615,822 S   | 5/2010  | Klein                 | D778,722 S      | 2/2017  | Strachan                 |
| D622,139 S   | 8/2010  | Marcott et al.        | D784,769 S      | 4/2017  | Beckman et al.           |
| D630,508 S   | 1/2011  | Hubbard, Jr. et al.   | D786,621 S      | 5/2017  | Davis                    |
| D630,885 S   | 1/2011  | Stein                 | D792,160 S      | 7/2017  | Ng                       |
| D631,741 S   | 2/2011  | Hubbard, Jr. et al.   | D792,161 S      | 7/2017  | Ng                       |
| D631,742 S   | 2/2011  | Hubbard, Jr. et al.   | D792,211 S      | 7/2017  | Foster et al.            |
| D631,743 S   | 2/2011  | Hubbard, Jr. et al.   | D792,222 S      | 7/2017  | Sill et al.              |
| D633,341 S   | 3/2011  | Smyers                | D792,761 S      | 7/2017  | Duval et al.             |
| D643,311 S   | 8/2011  | Meyers                | D798,707 S      | 10/2017 | Mayer                    |
| D645,708 S   | 9/2011  | Stamper et al.        | 10,017,290 B2   | 7/2018  | Faulkner et al.          |
| 8,061,585 B2 | 11/2011 | Nikolai et al.        | D861,482 S *    | 10/2019 | Lebeau ..... D9/431      |
| D649,838 S   | 12/2011 | Stamper et al.        | D869,289 S *    | 12/2019 | Sill ..... D9/711        |
| D652,316 S   | 1/2012  | Ren et al.            | D875,530 S *    | 2/2020  | Sill ..... D9/456        |
| D653,496 S   | 2/2012  | Henry                 | D876,951 S *    | 3/2020  | Sill ..... D9/431        |
| D669,352 S   | 10/2012 | Paslowski             | 2002/0108955 A1 | 8/2002  | Erb                      |
| D674,690 S   | 1/2013  | Sill                  | 2003/0217946 A1 | 11/2003 | Hsu                      |
| D675,092 S   | 1/2013  | Sill                  | 2004/0182916 A1 | 9/2004  | Roseth                   |
| D675,520 S   | 2/2013  | Sill                  | 2005/0051461 A1 | 3/2005  | Bryant                   |
| D675,920 S   | 2/2013  | Sill                  | 2005/0150788 A1 | 7/2005  | Feusner                  |
| D676,742 S   | 2/2013  | Walter et al.         | 2008/0269034 A1 | 10/2008 | Stier                    |
| D678,760 S   | 3/2013  | Cooper                | 2009/0186132 A1 | 7/2009  | Mangino et al.           |
| D678,761 S   | 3/2013  | Cooper                | 2010/0065620 A1 | 3/2010  | Smith                    |
| D678,762 S   | 3/2013  | Cooper                | 2011/0240653 A1 | 10/2011 | Castner et al.           |
| D678,779 S   | 3/2013  | Lee                   | 2012/0234904 A1 | 9/2012  | Costanzo, Jr.            |
| D679,950 S   | 4/2013  | Cooper                | 2014/0203070 A1 | 7/2014  | Lee                      |
| D682,085 S   | 5/2013  | Hannant et al.        | 2014/0263353 A1 | 9/2014  | Bell                     |
| D682,684 S   | 5/2013  | Walter et al.         | 2014/0263600 A1 | 9/2014  | Valencia                 |
| D684,465 S   | 6/2013  | Vernon et al.         | 2016/0107830 A1 | 4/2016  | Baryshyan                |
| D684,858 S   | 6/2013  | Sill                  |                 |         |                          |
| D688,552 S   | 8/2013  | Vernon et al.         |                 |         |                          |
| D688,921 S   | 9/2013  | Miros et al.          |                 |         |                          |
| D691,035 S   | 10/2013 | Sill                  |                 |         |                          |
| D693,180 S   | 11/2013 | Peterson et al.       |                 |         |                          |
| D693,215 S   | 11/2013 | Sill                  |                 |         |                          |
| D693,216 S   | 11/2013 | Sill                  |                 |         |                          |
| D693,217 S   | 11/2013 | Sill                  |                 |         |                          |
| D693,218 S   | 11/2013 | Sill                  |                 |         |                          |
| D693,646 S   | 11/2013 | Katterheinrich et al. |                 |         |                          |
| D693,679 S   | 11/2013 | Sill                  |                 |         |                          |
| D695,101 S   | 12/2013 | Keberlein et al.      |                 |         |                          |
| D695,104 S   | 12/2013 | Sill                  |                 |         |                          |
| D695,107 S   | 12/2013 | Clements              |                 |         |                          |
| D695,575 S   | 12/2013 | Katz                  |                 |         |                          |
| D695,605 S   | 12/2013 | Johnson               |                 |         |                          |
| D697,789 S   | 1/2014  | Gerdes et al.         |                 |         |                          |
| D706,132 S   | 6/2014  | Sill                  |                 |         |                          |
| D707,042 S   | 6/2014  | Ruzzenente            |                 |         |                          |
| D707,123 S   | 6/2014  | Marchetti et al.      |                 |         |                          |
| D710,691 S   | 8/2014  | Genender              |                 |         |                          |
| D712,153 S   | 9/2014  | Lee                   |                 |         |                          |
| D714,638 S   | 10/2014 | Mohn et al.           |                 |         |                          |
| 8,939,350 B2 | 1/2015  | Valencia              |                 |         |                          |
| D726,533 S   | 4/2015  | Northrup              |                 |         |                          |
| D727,732 S   | 4/2015  | Petty                 |                 |         |                          |

## OTHER PUBLICATIONS

A Packaged Deal, [online] Published Aug. 11, 2018. Retrieved from URL: <https://www.hospitalitynewsmag.com/en/event/a-packaged-deal/>.\*

Large Food Box with dip pot holder. [online] Retrieved Dec. 18, 2020 from URL: <https://gmpackaging.co.uk/collections/cardboard-food-packaging/products/large-food-box-with-dip-pot-holder>.\*

Alibaba.com, “Black Disposable Divided Food Trays”, [site visited Apr. 3, 2017], Available from Internet, <URL:<https://thai.alibaba.com/product-detail/black-disposable-divided-food-trays-plastic-1238104653.html>>, Oct. 17, 2013, 9 pages.

Amazon, “Food Containers 3 Compartment Premium”, [site visited Mar. 8, 2018]. Available from Internet, <URL: [https://www.amazon.com/dp/B0741BQMY7/ref=sspa\\_dk\\_detail\\_2?psc=1%20&pd\\_rd\\_i=B0741BQMY7&pd\\_rd\\_wg=gDStp%20&pd\\_rd\\_r=ACEV1YJAC97ZZPCCXWCW&pd\\_rd\\_w=XZKtg](https://www.amazon.com/dp/B0741BQMY7/ref=sspa_dk_detail_2?psc=1%20&pd_rd_i=B0741BQMY7&pd_rd_wg=gDStp%20&pd_rd_r=ACEV1YJAC97ZZPCCXWCW&pd_rd_w=XZKtg)>, Jul. 18, 2017, 9 pages.

Amazon, “Southern Champion Tray 0731#1 —Take-out Container”, available on Jan. 17, 2013, [online], [site visited Oct. 30, 2015]. 1 page.

Amazon, “Southern Champion Tray 23133K Kraft Paperboard Lock Corner Window Bakery Box”, [site visited Dec. 11, 2015], Mar. 15, 2013, 1 page.

Blair Candy “Empty Candy Boxes”, [site visited Oct. 30, 2015], Available from Internet, <URL: <https://www.blaircandy.com/emcabo.html>>, 2013, 1 page.

Dean Supply, “Disposable Takeout Containers”, [site visited Mar. 8, 2018]. Available from Internet, <URL: <https://www.shopatdean.com/collections/disposable-takeout-containers-foam-paper-plastic-compostable/rectangular>>, 2018, 9 pages.

Flex Active Sports, “Buy 3-Compartment Food Prep Containers”, [site visited Apr. 17, 2017]. Available from Internet, <URL: <https://flexactivesports.com/buy-3-compartment-food-prep-containers/>>, Jan. 5, 2016, 14 pages.

Glynn, Robin “Origami treasure chest”, [site visited Oct. 30, 2015], Available from Internet, <URL: <https://www.youtube.com/watch?v=WpgGgeBQvj4>>, Nov. 29, 2010, 1 page.

Inno-Pak, “Innobox Edge Insert”, [site visited Feb. 2, 2017], Oct. 25, 2016, 3 pages.

Importitall, “Southern Champion Tray 0761#1”, [online]. Retrieved on Jul. 13, 2017, 1 page.

Importitall, “Southern Champion Tray 0764#1”, [online], Retrieved on Jul. 13, 2017, 1 page.

“Kalifornia Love: Extra Fruit Sensations Sweet Watermelon”, [site visited Nov. 4, 2016]. Available from Internet, <URL: <http://www.kalifornialove.com/2010/07/extra-fruit-sensations-sweet-watermelon.html>>, Jul. 28, 2010, 20 pages.

Nearof, “Review: Stride Spark Vitamin Chewing Gum.”, Available from Internet, <URL: <http://www.nearof.com/review-stride-spark-vitamin-chewing-gum/>>, Sep. 7, 2011, 4 pages.

Robives, “Curved Lid Box”, [site visited Oct. 30, 2015]. Available from internet, <URL: <http://www.robves.com/category/tags/highlight?page=3>>, Nov. 2, 2013, 1 page.

Splash Packaging, “Natural Kraft Windowed Cake Pastry and Pie Boxes”, Oct. 4, 2014, 1 page.

The Delaware Gazette, “Inno-Pak is Staying Put”, [site visited Dec. 11, 2015], Available from internet, <URL: <https://www.delgazette.com/news/295/inno-pak-is-staying-put>>, Jul. 13, 2015, 1 page.

Webstaurant Store, “Cambro 9113CW414 Camwear Teal 9"×11" 3 Compartment Meal Delivery Tray”, [earliest online date], [site visited Apr. 17, 2017], Available from Internet, <URL: <https://www.webstaurantstore.com/cambro-9113cw414-camwear-teal-9-x-11-3-compartment-meal-delivery-tray-case/2149113CWTE.html>>, Mar. 14, 2010, 4 pages.

Youtube, “Inno-Pak Rigid Microwavable Take Out Containers”, [site visited Feb. 2, 2017], Available from Internet, <URL: [https://www.youtube.com/watch?v=WolGFg\\_sHsk](https://www.youtube.com/watch?v=WolGFg_sHsk)> Sep. 17, 2014, 1 page.

Amazon.com, “50 Paper Food to Go Containers—51 oz—New Design with Waist Seal Band—Eco Friendly Disposable Kraft Paper Take Out Food Container—Sturdy Leak & Grease Proof Microwavable Take Away Boxes”, retrieved from web on Nov. 5, 2019, available on <https://www.amazon.com/Paper-Food-Containers-Disposable-Microwavable/dp/B07M74VWXW>, 6 pages.

WebstaurantStore.com, “Choice 7 ¾"×5 ½"×2" Kraft Microwavable Folded Paper #2 Take-Out Container—200/Case”, retrieved from web on Nov. 5, 2019, available on <https://www.webstaurantstore.com/choice-8-1-2-x-2-kraft-microwavable-folded-paper-2-take-out-container-case/795PTOKFT2.html>, 6 pages.

WestRock, “FOLD-PAK—Bio-Plus Earth”, retrieved from web on Nov. 5, 2019, available on <http://www.fold-pak.com/products/Bio-PlusEarth.htm>, 2 pages.

\* cited by examiner

*Primary Examiner* — Vy N Koenig

(74) *Attorney, Agent, or Firm* — Ward and Smith, P.A.; Ryan K. Simmons

(57)

## CLAIM

The ornamental design for a food carton, as shown and described.

## DESCRIPTION

FIG. 1 is a perspective view of a food carton showing a new design;

FIG. 2 is a top plan view thereof;

FIG. 3 is a perspective view of the food carton of FIG. 1 showing an alternate configuration;

FIG. 4 is a left side elevation view thereof;

FIG. 5 is a right side elevation view thereof;

FIG. 6 is a front elevation view thereof;

FIG. 7 is a rear elevation view thereof;

FIG. 8 is a top plan view thereof;

FIG. 9 is a perspective view of the food carton of FIG. 1 showing it in an open configuration;

FIG. 10 is a top plan view thereof;

FIG. 11 is a bottom plan view thereof;

FIG. 12 is another perspective view of the food carton of FIG. 9 showing an alternate configuration;

FIG. 13 is a left side elevation view thereof;

FIG. 14 is a right side elevation view thereof;

FIG. 15 is a front elevation view thereof;

FIG. 16 is a rear elevation view thereof;

FIG. 17 is a top plan view thereof;

FIG. 18 is a bottom plan view thereof;

FIG. 19 is another perspective view of the food carton of FIG. 12;

FIG. 20 is a left side elevation view thereof;

FIG. 21 is a right side elevation view thereof;

FIG. 22 is a front elevation view thereof;

FIG. 23 is a rear elevation view thereof;

FIG. 24 is a top plan view thereof;

FIG. 25 is a bottom plan view thereof; and,

FIG. 26 is a perspective view of the food carton of FIG. 19 showing a flap being removed therefrom.

In the drawings the dotted lines are for the purpose of illustrating perforations and form part of the claimed design; and the dash-dash broken lines are for the purpose of illustrating environment only and form no part of the claimed design.

**1 Claim, 20 Drawing Sheets**

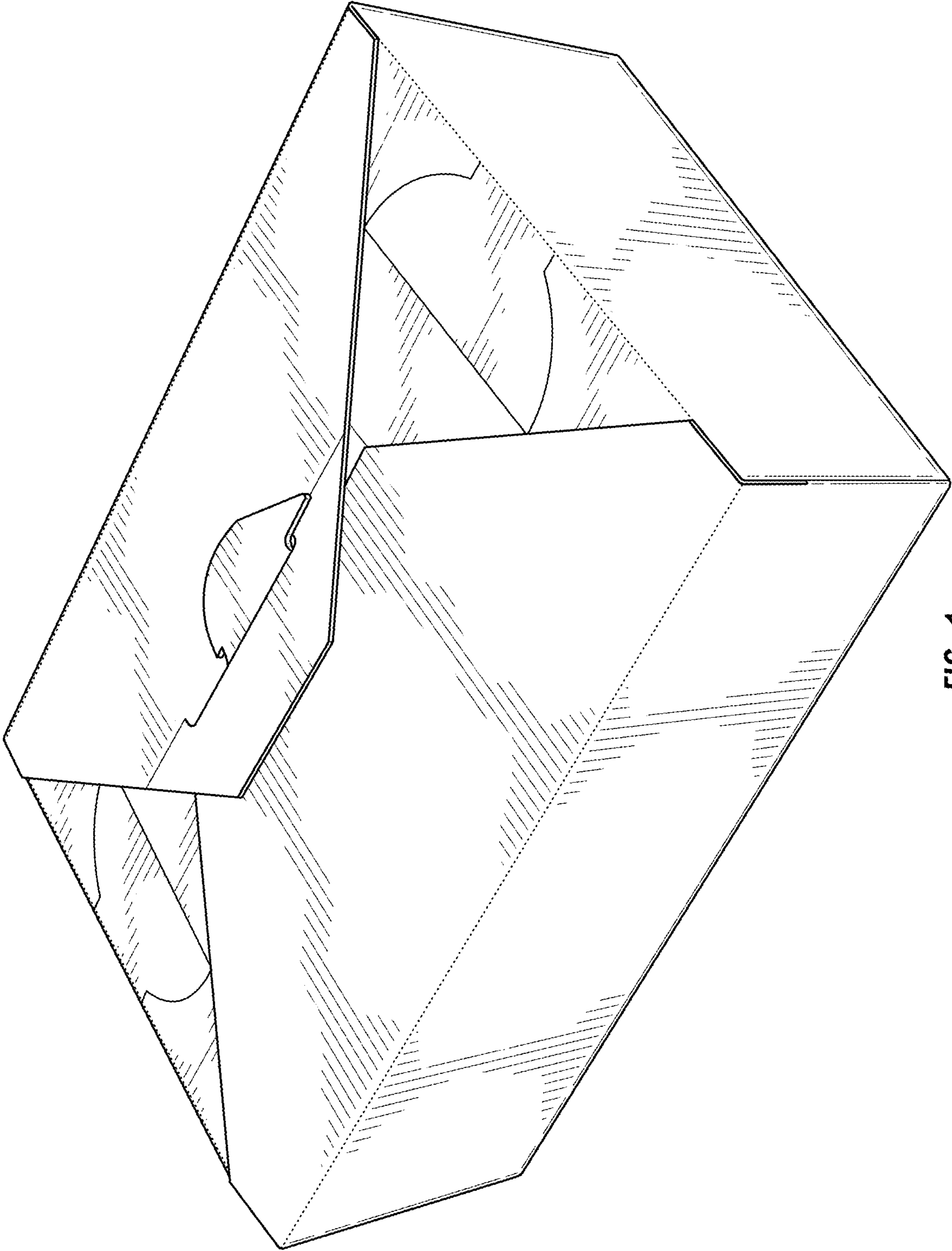


FIG. 1

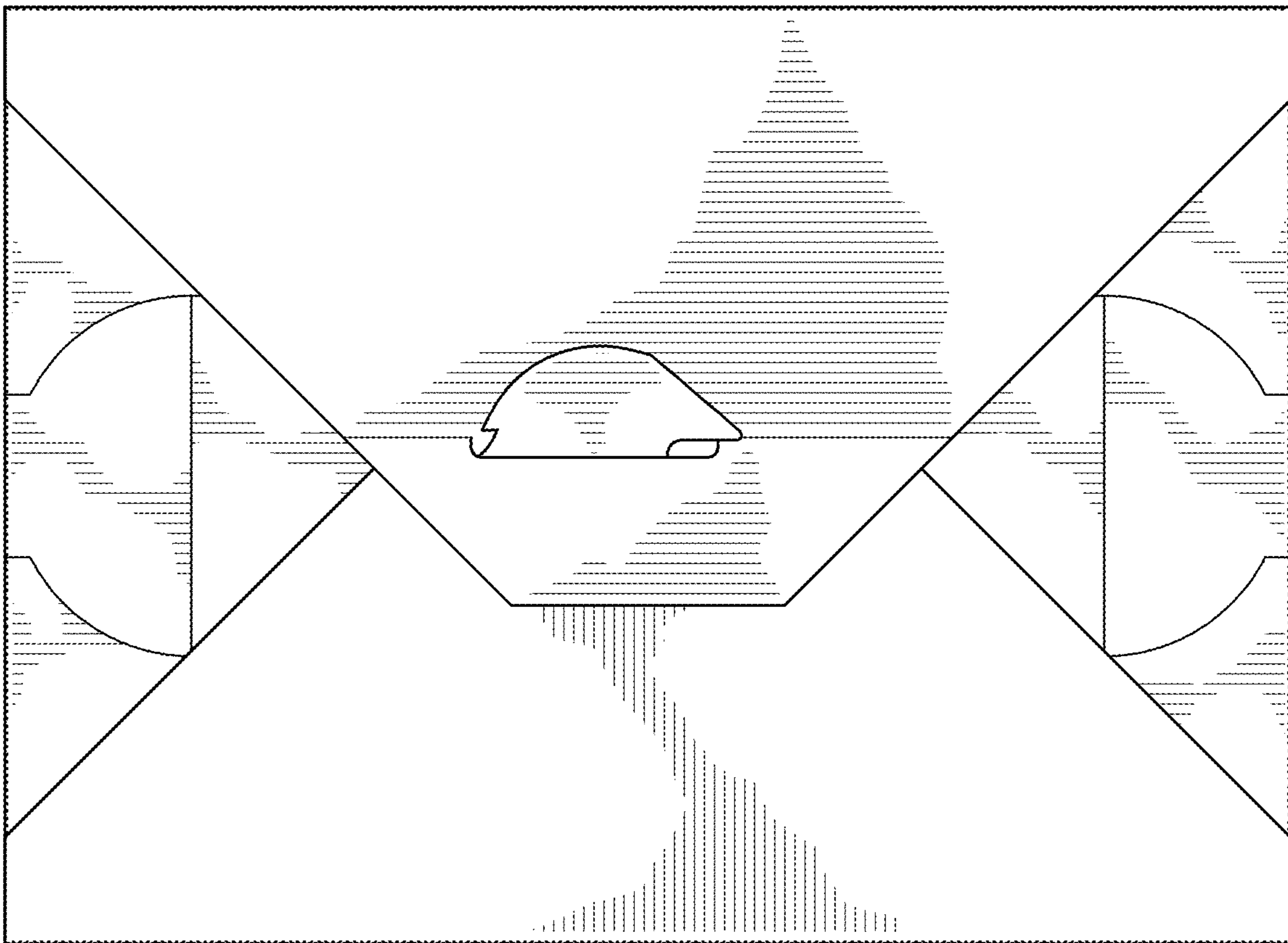


FIG. 2

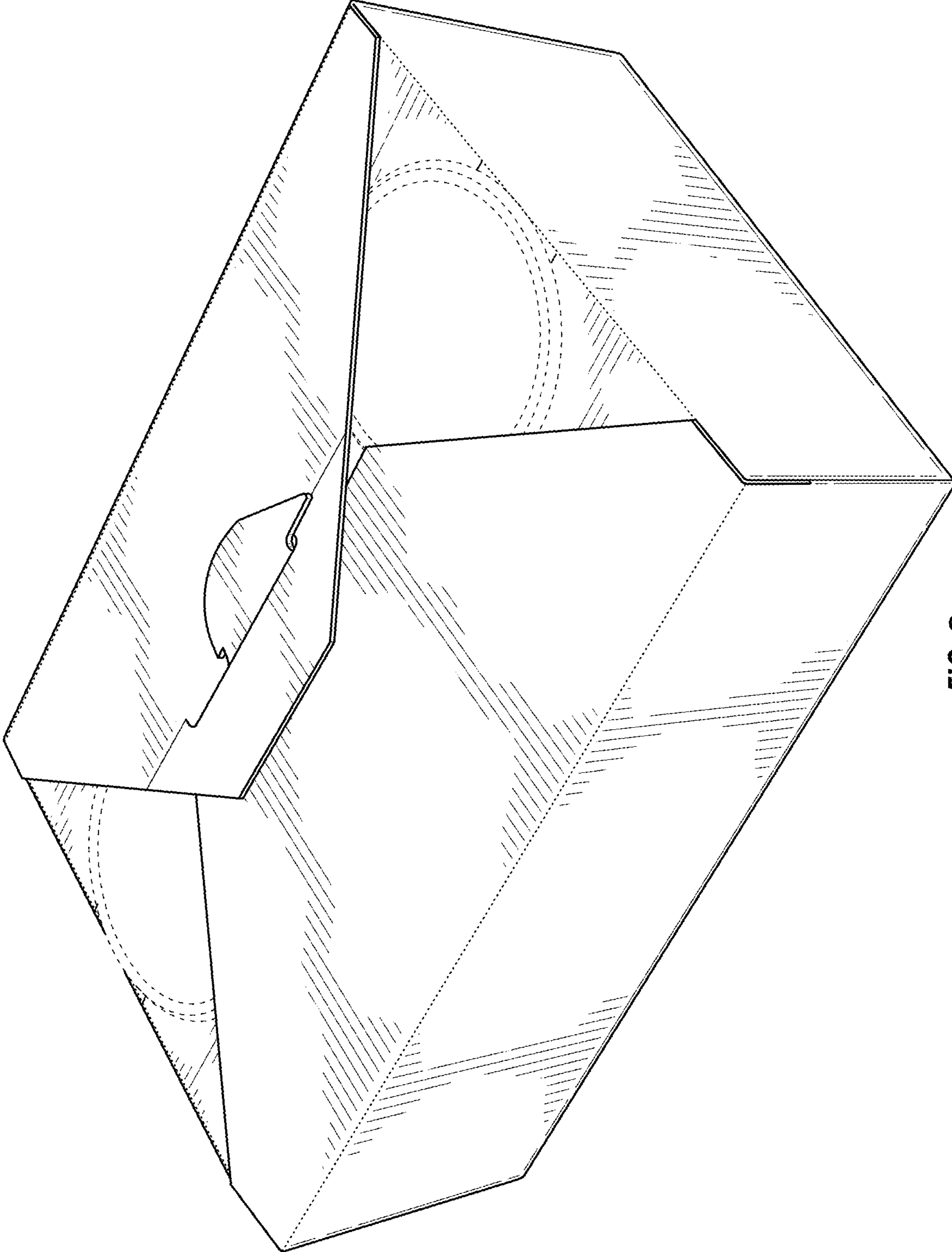


FIG. 3

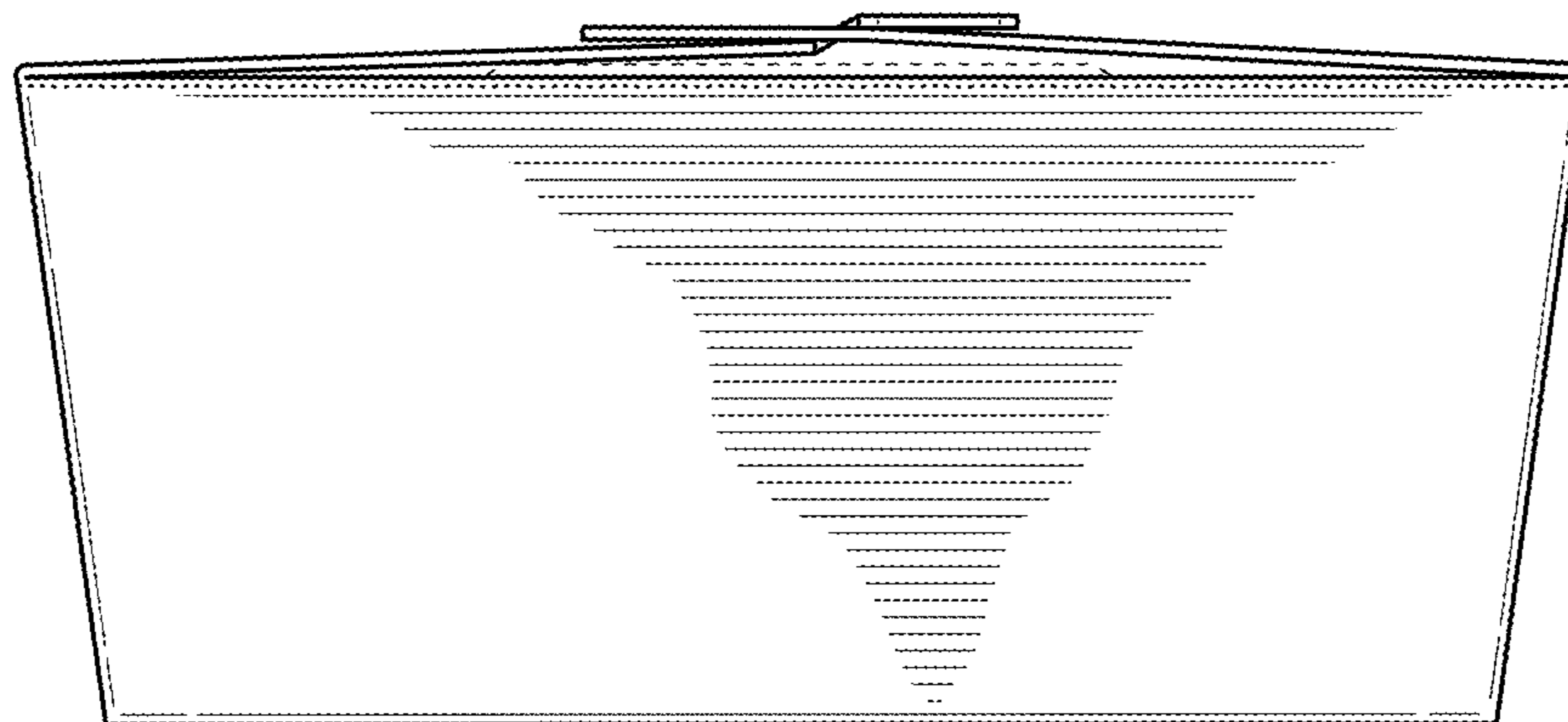


FIG. 4

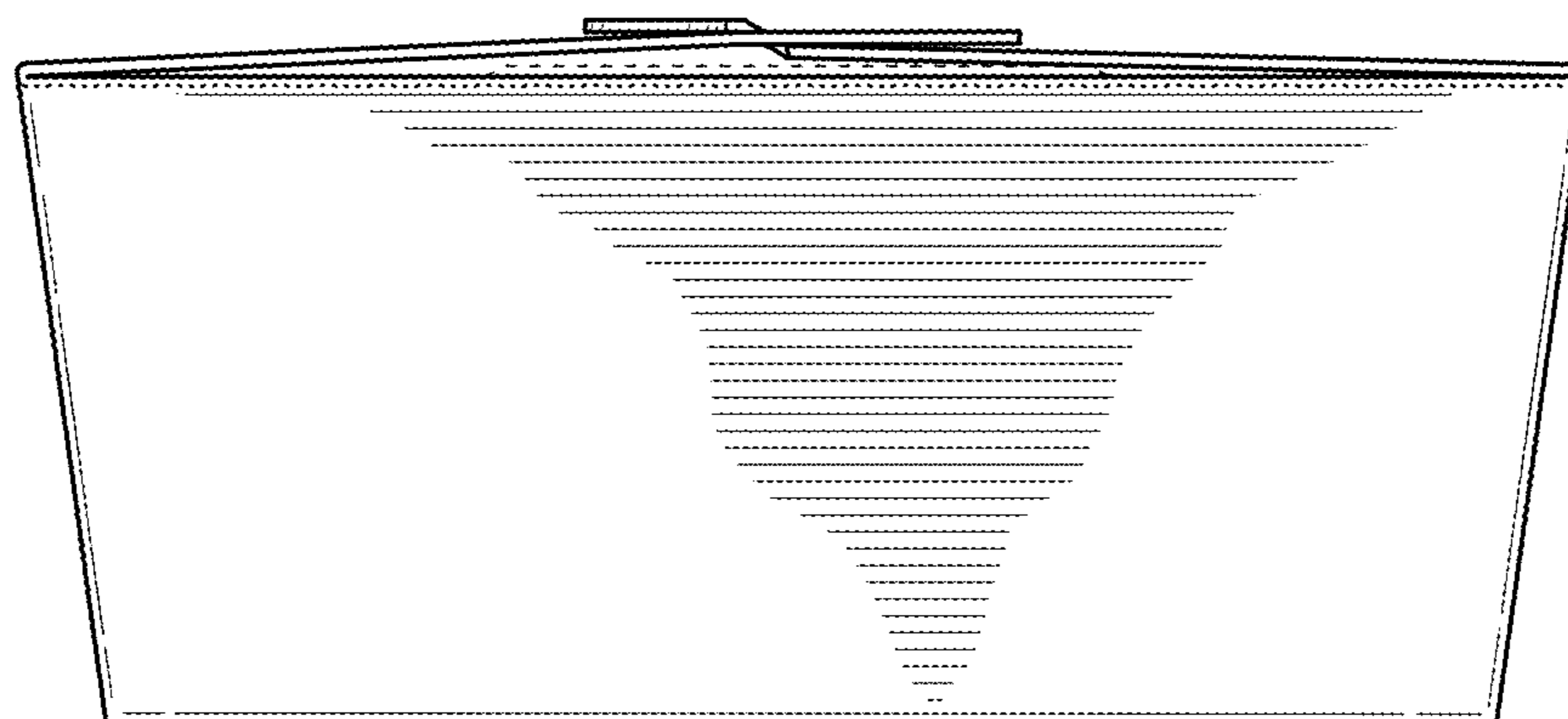


FIG. 5

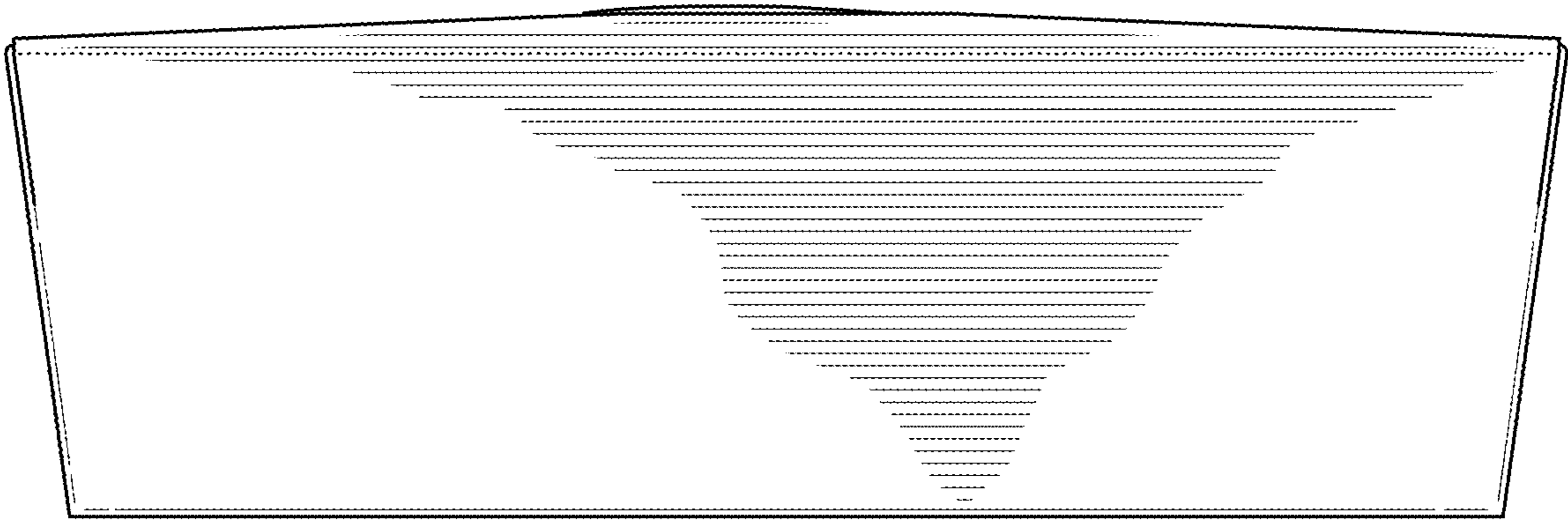


FIG. 6

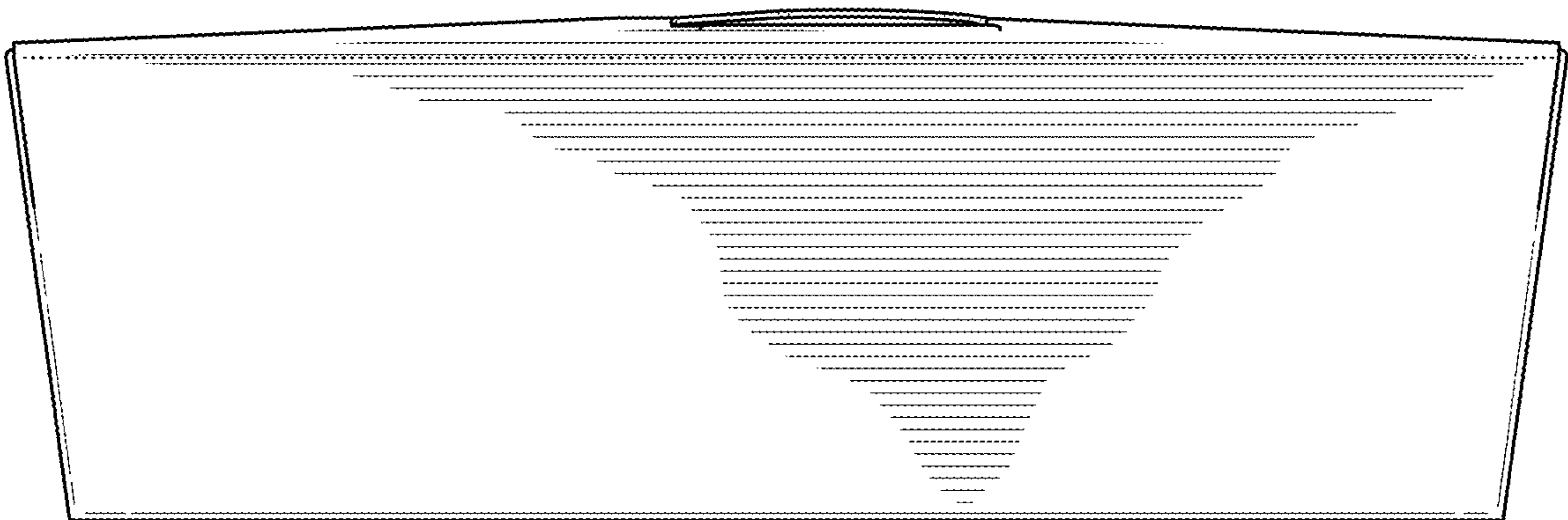


FIG. 7



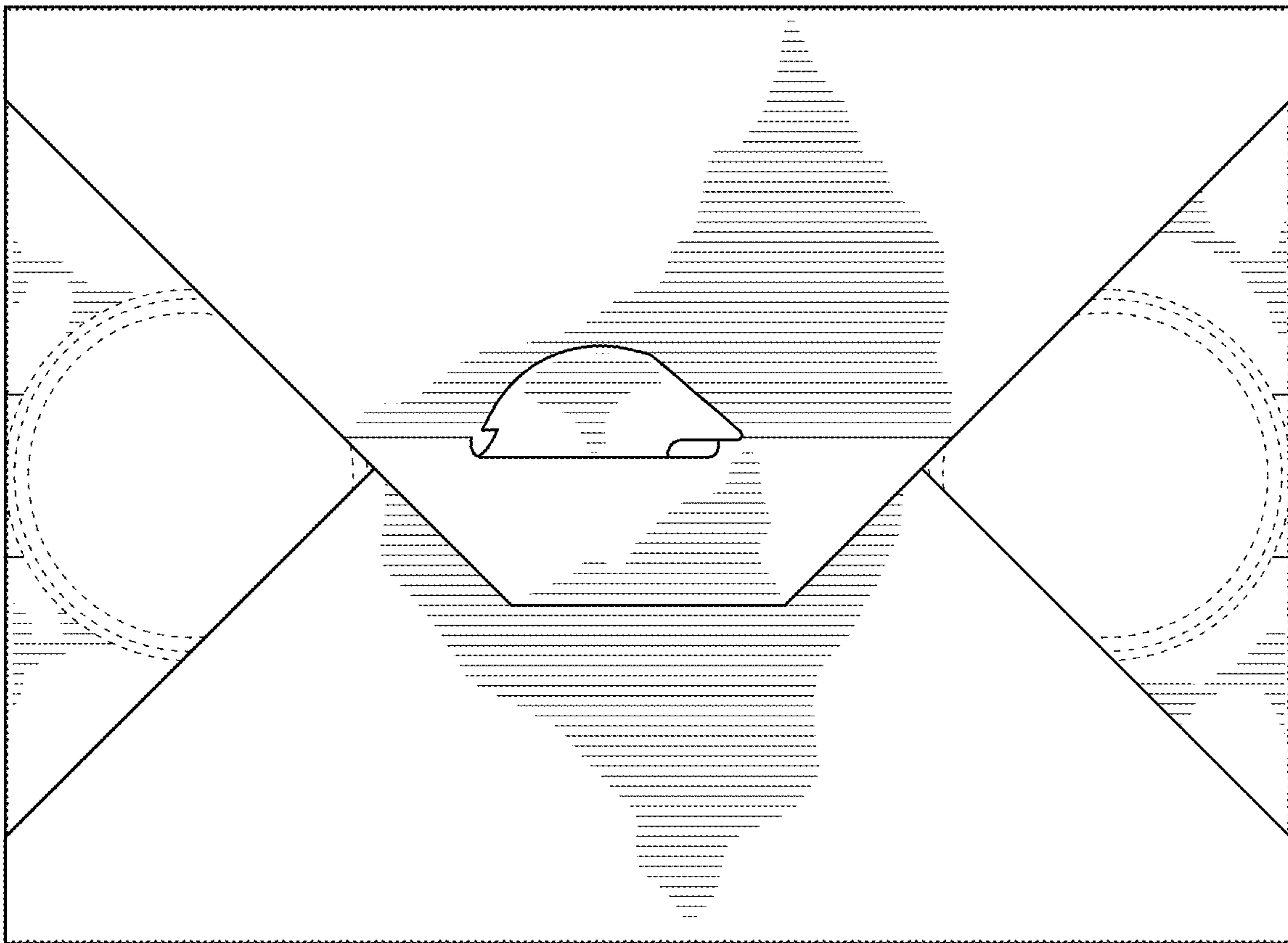


FIG. 8

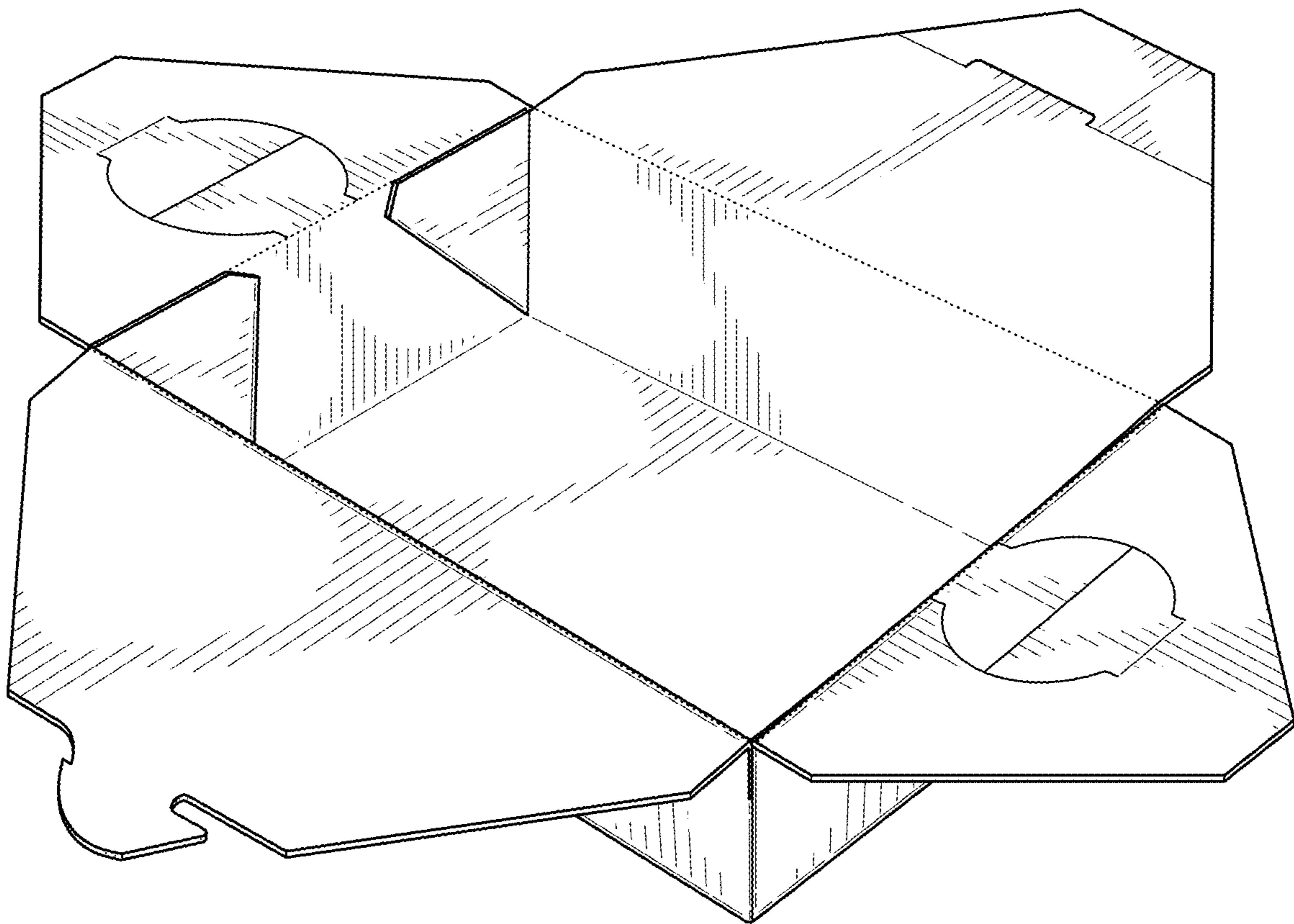


FIG. 9

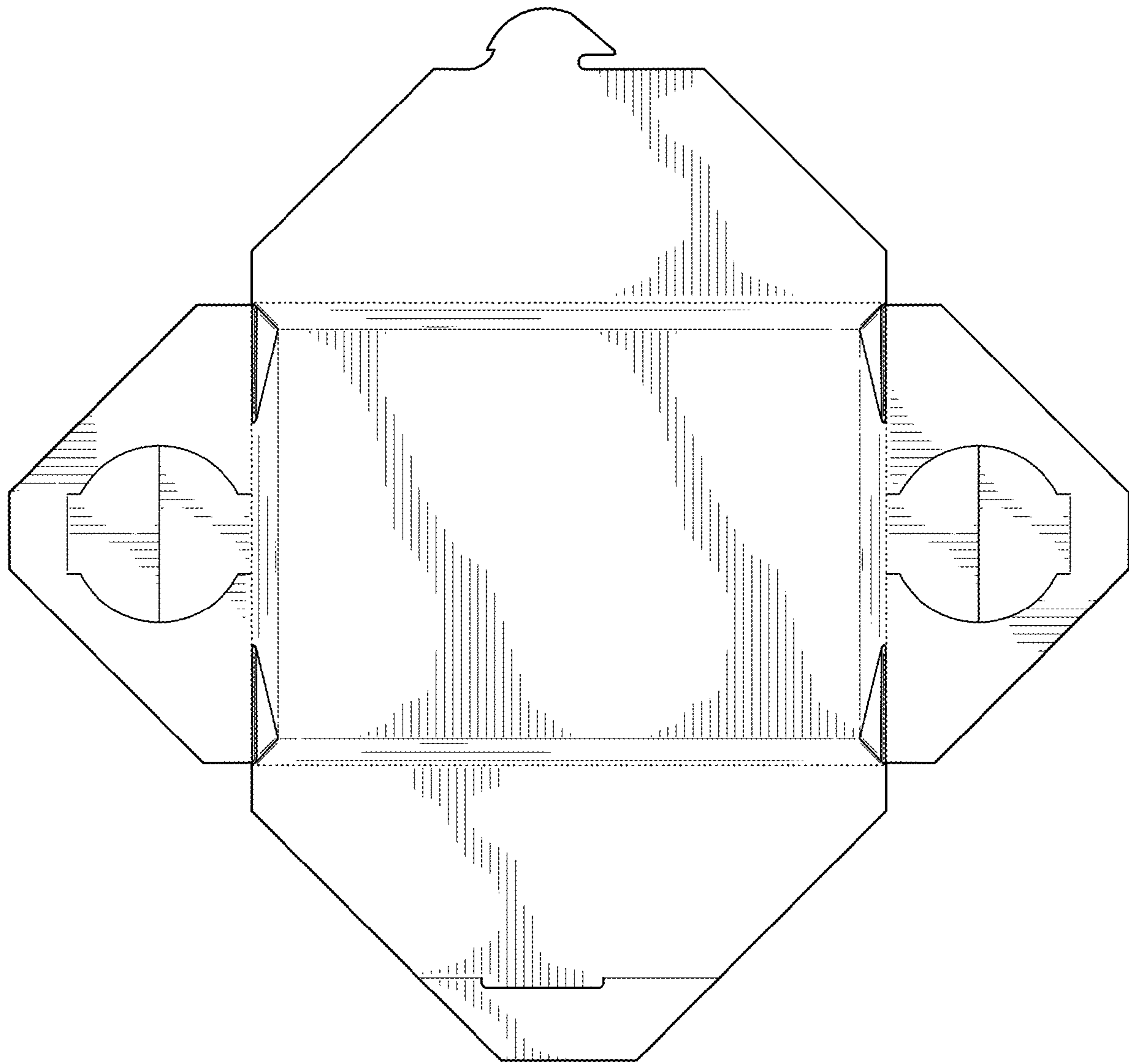


FIG. 10

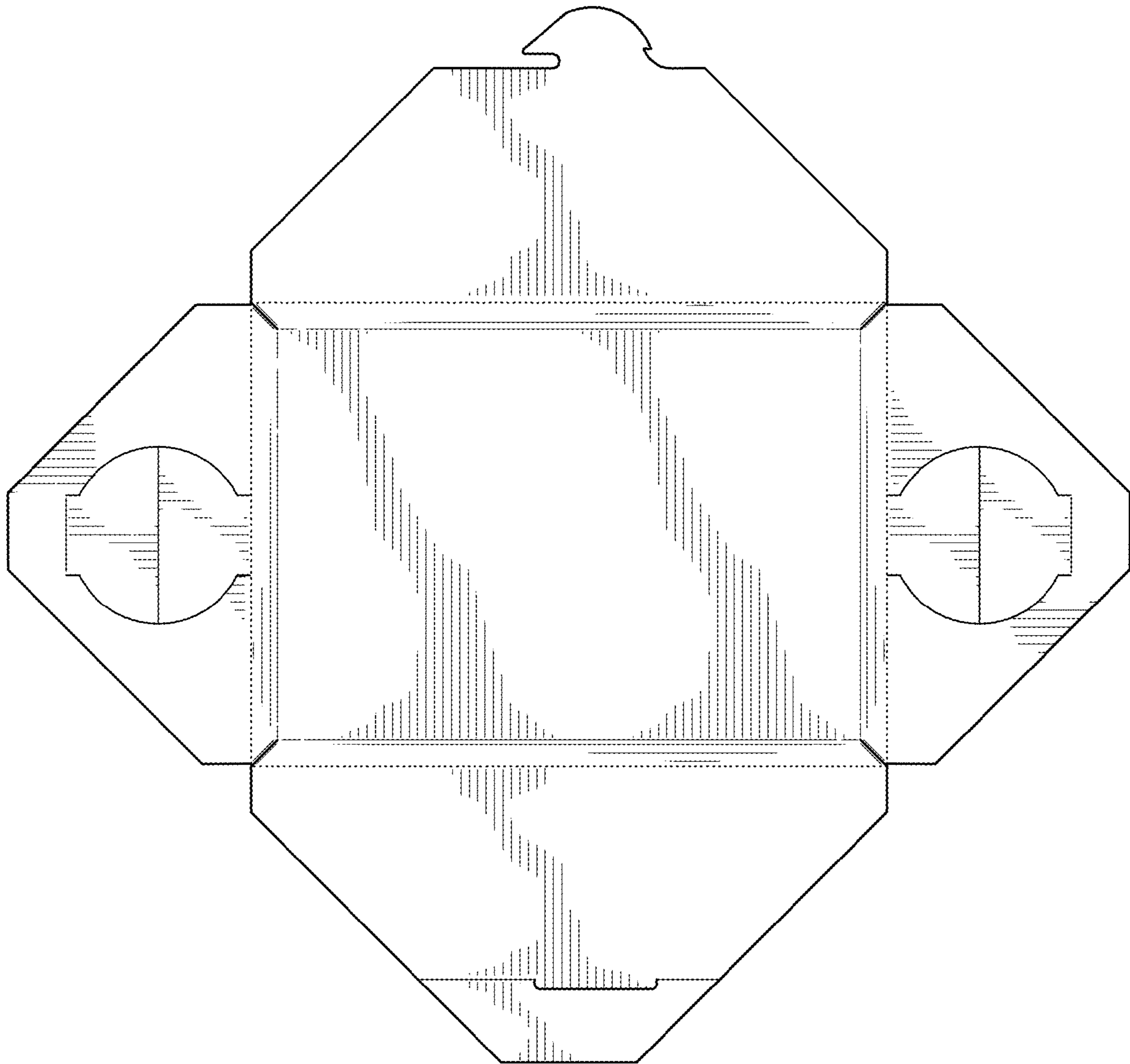


FIG. 11

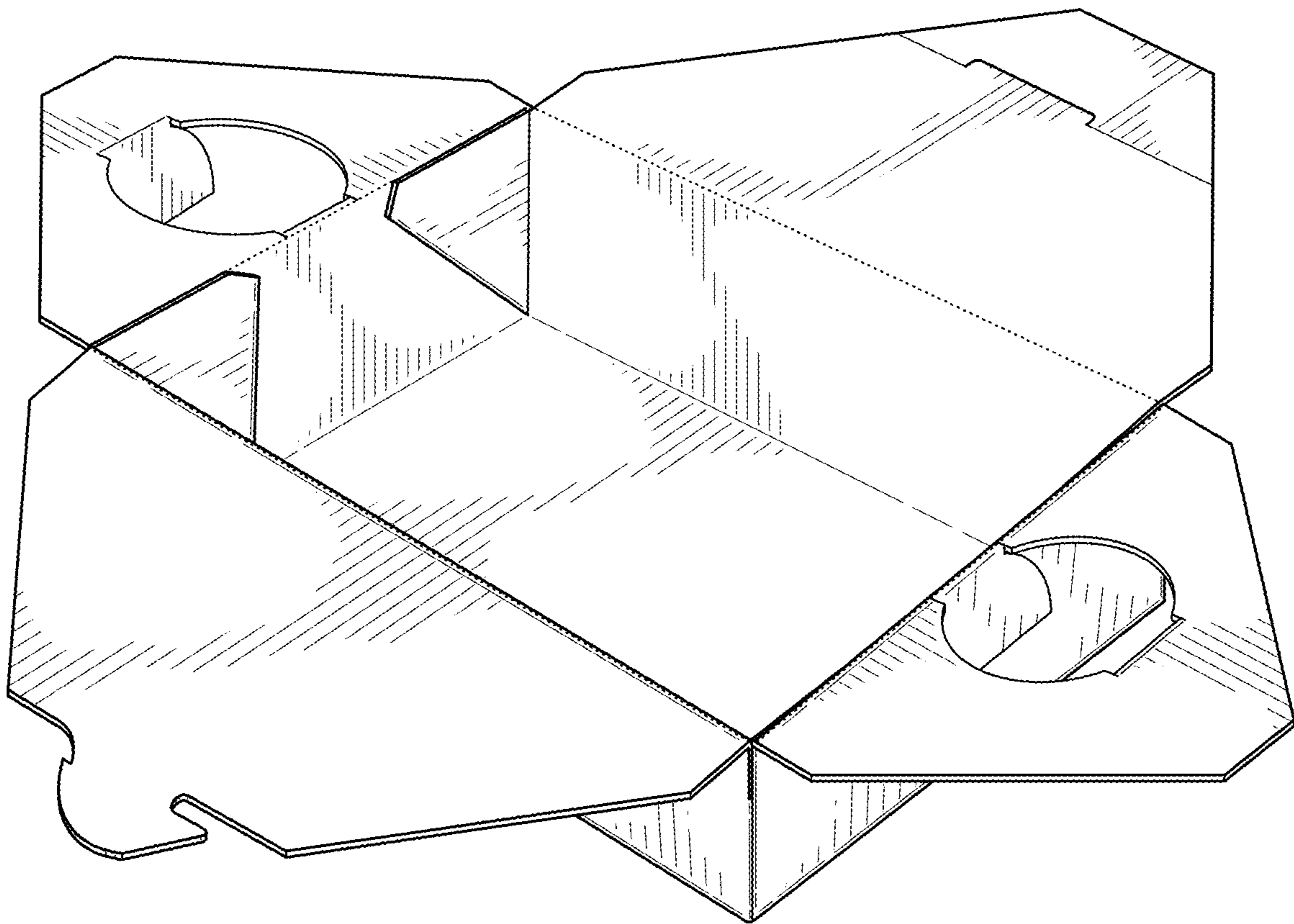


FIG. 12

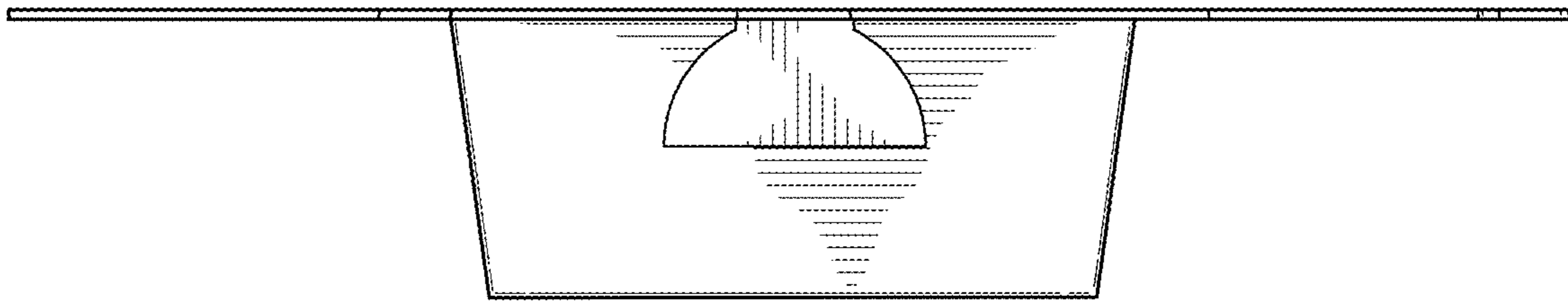


FIG. 13

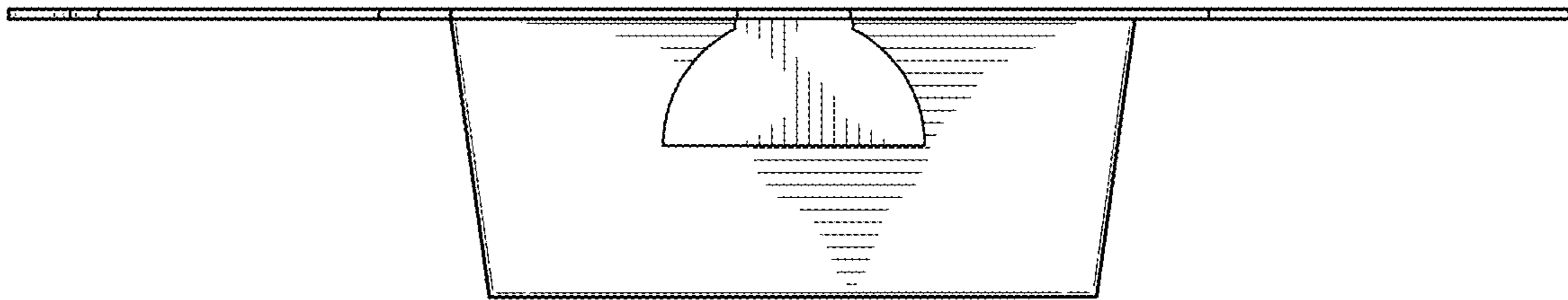


FIG. 14

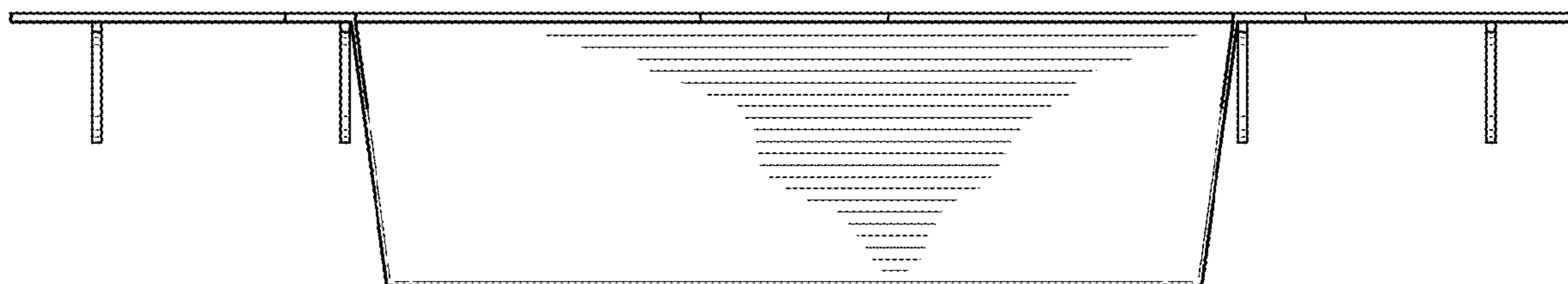


FIG. 15

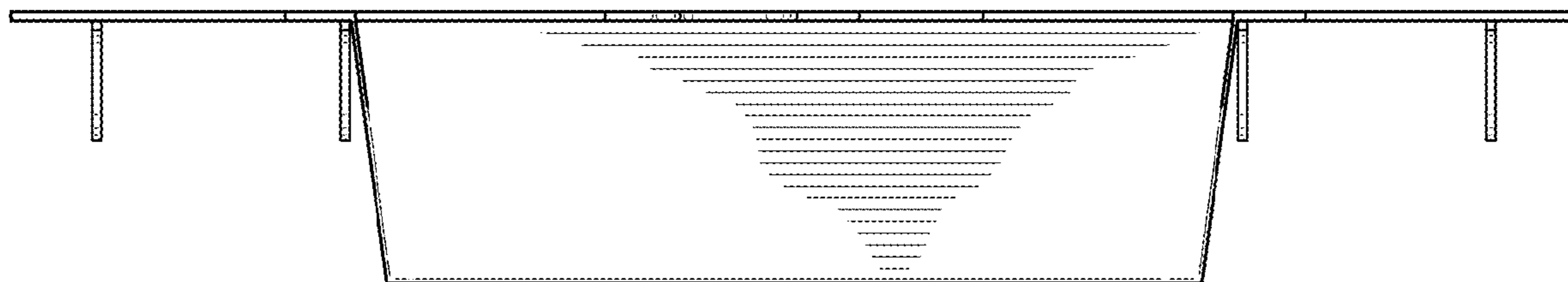


FIG. 16

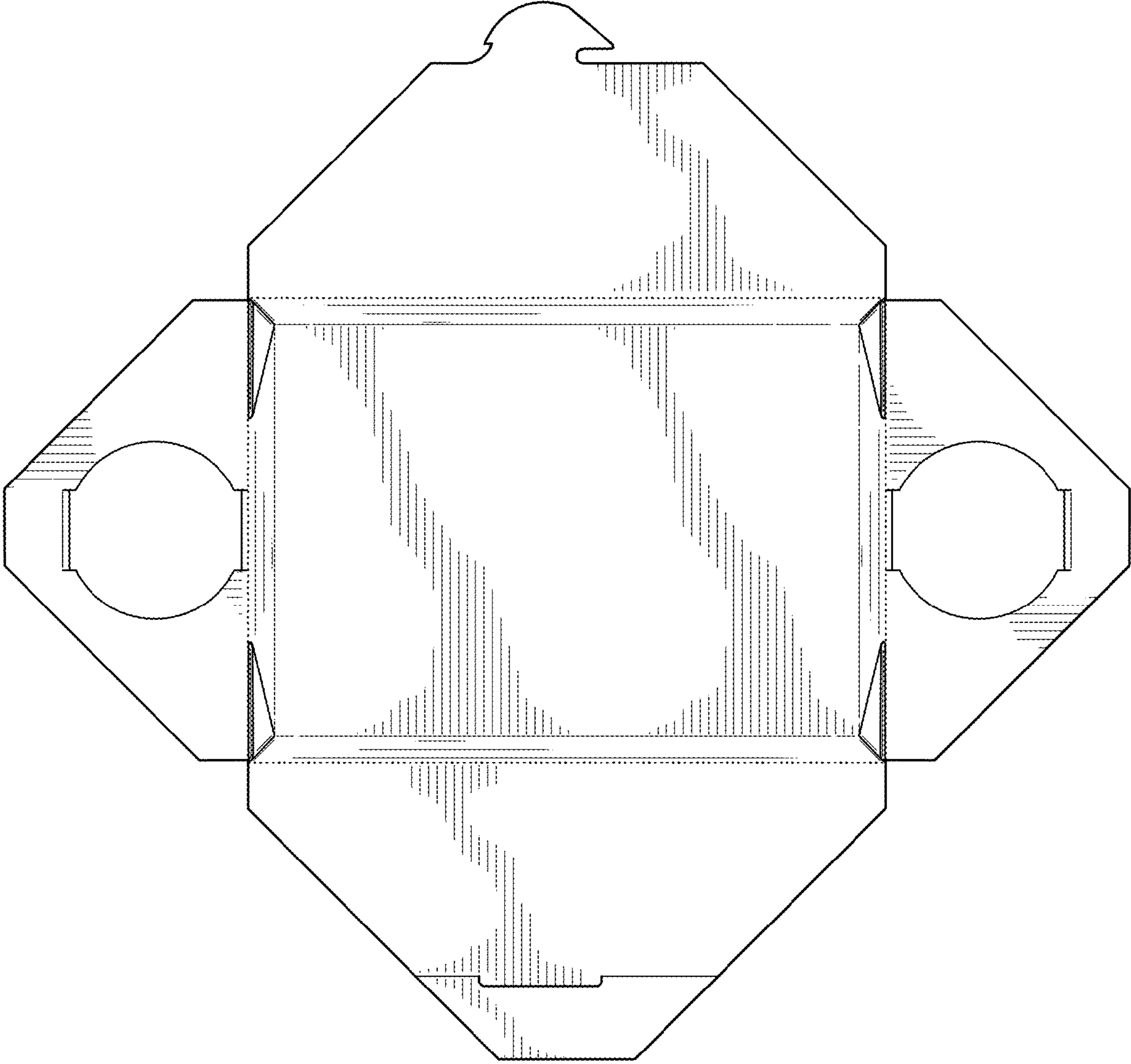


FIG. 17



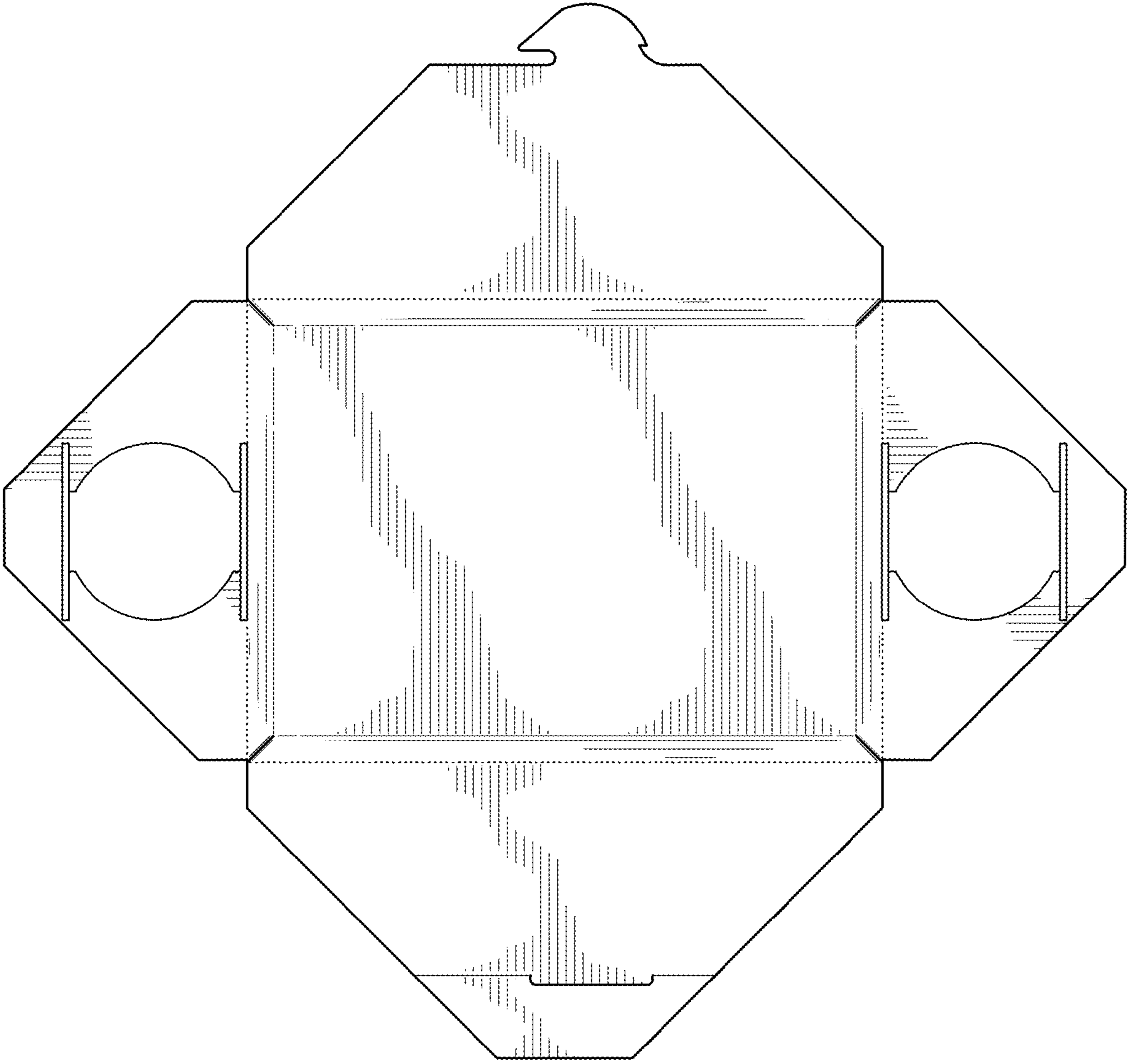


FIG. 18

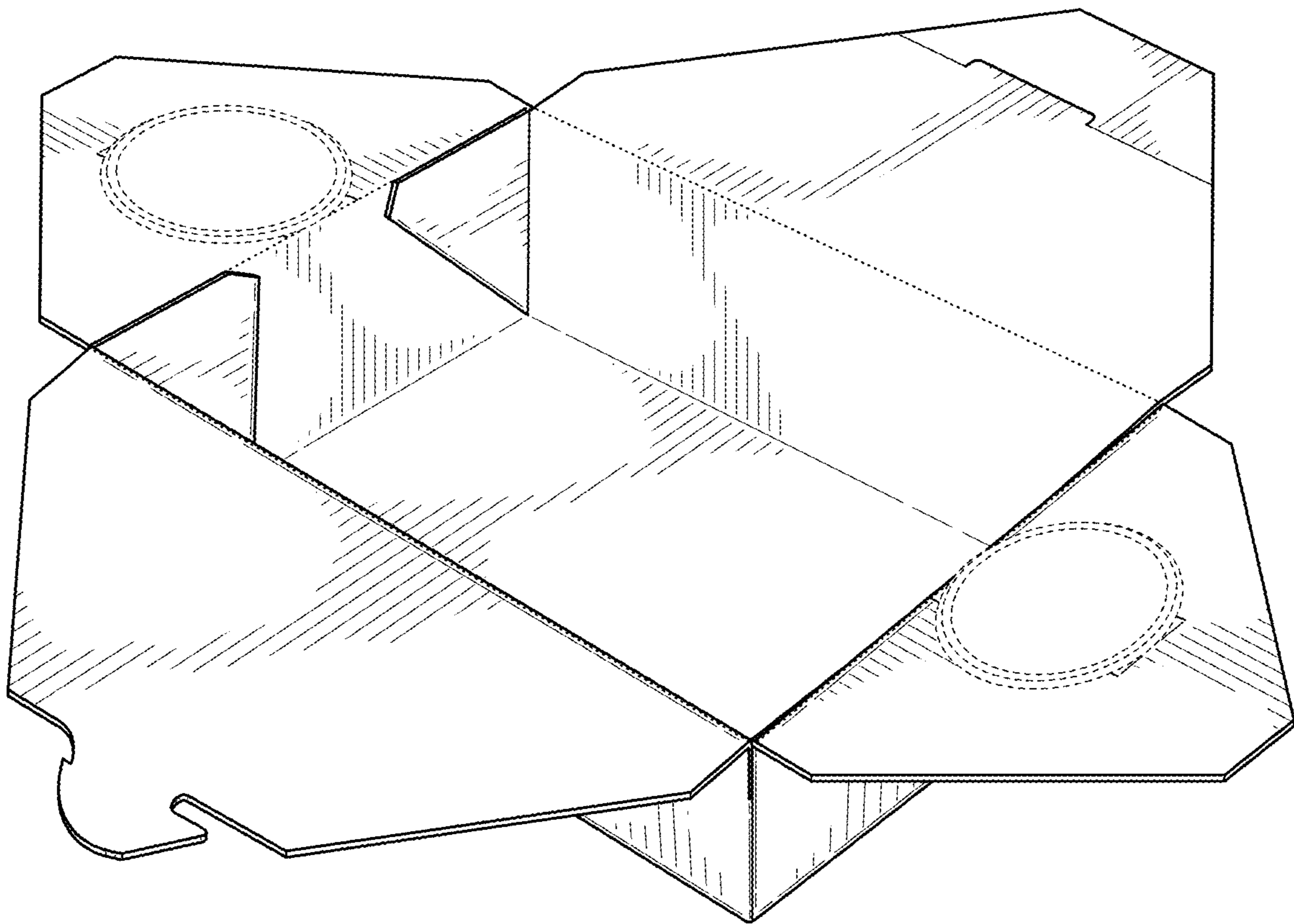


FIG. 19

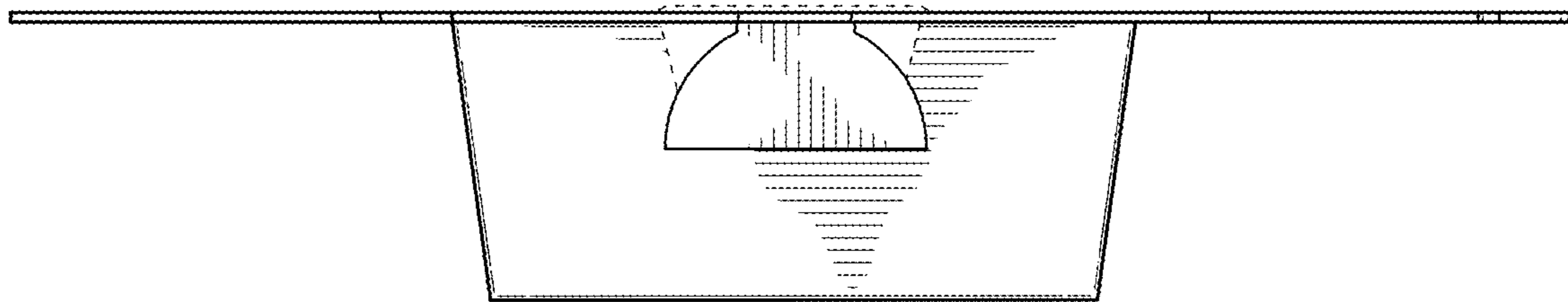


FIG. 20

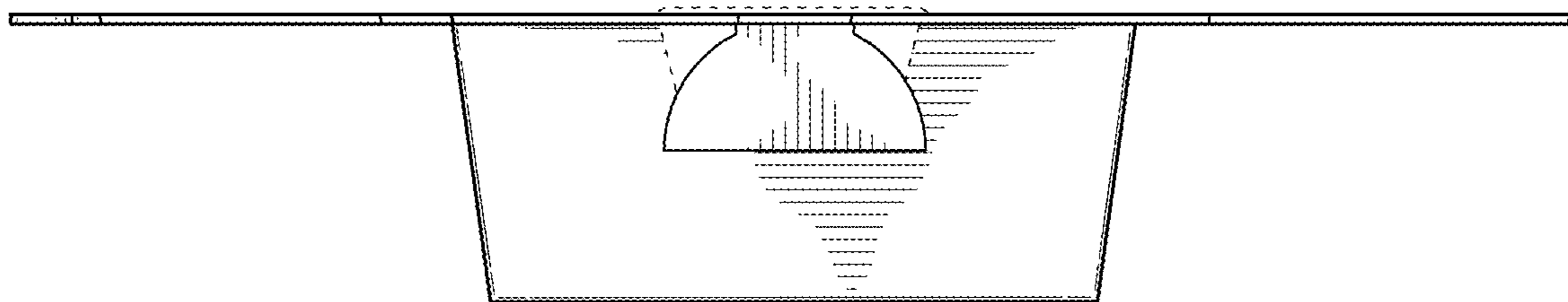


FIG. 21

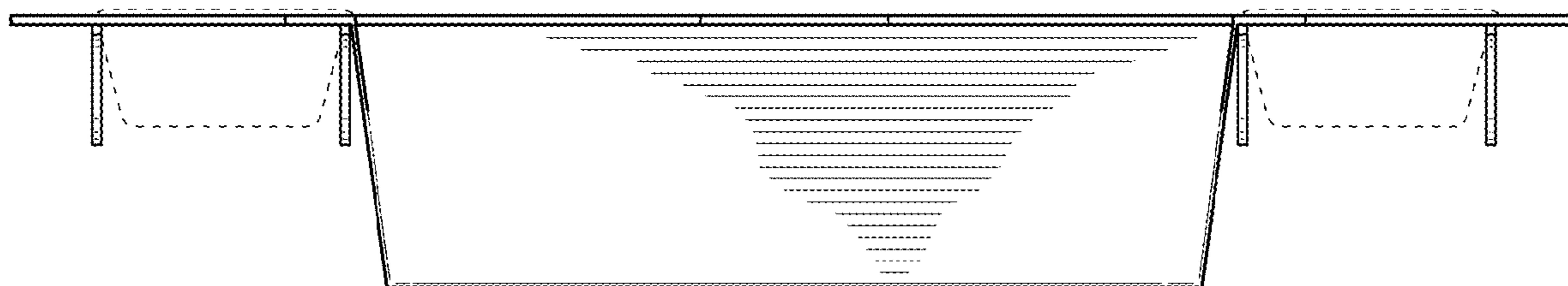


FIG. 22

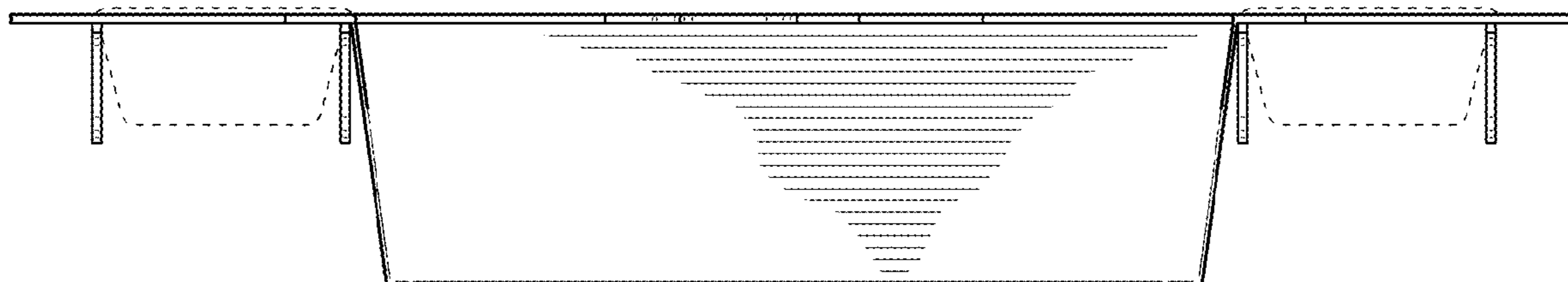


FIG. 23

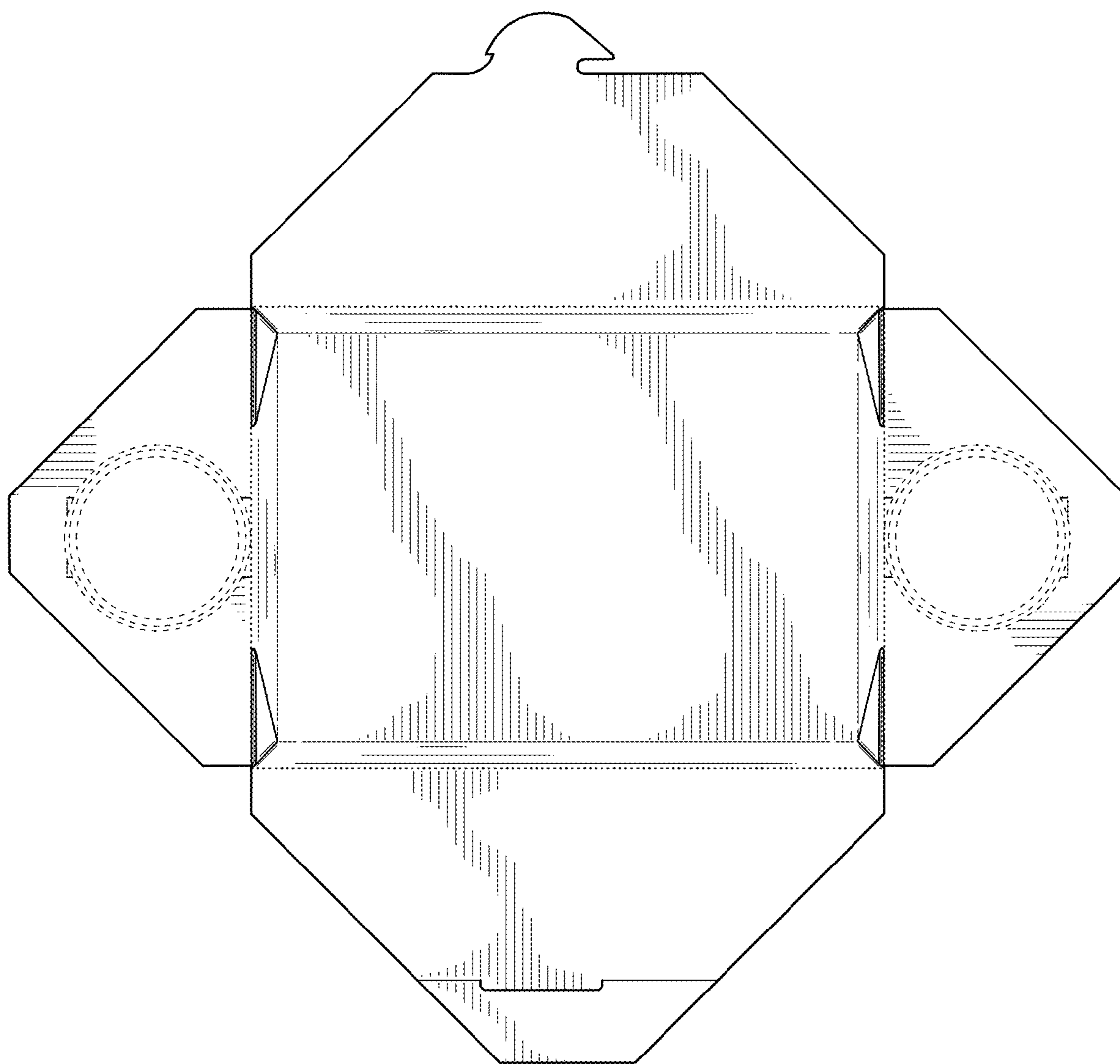


FIG. 24

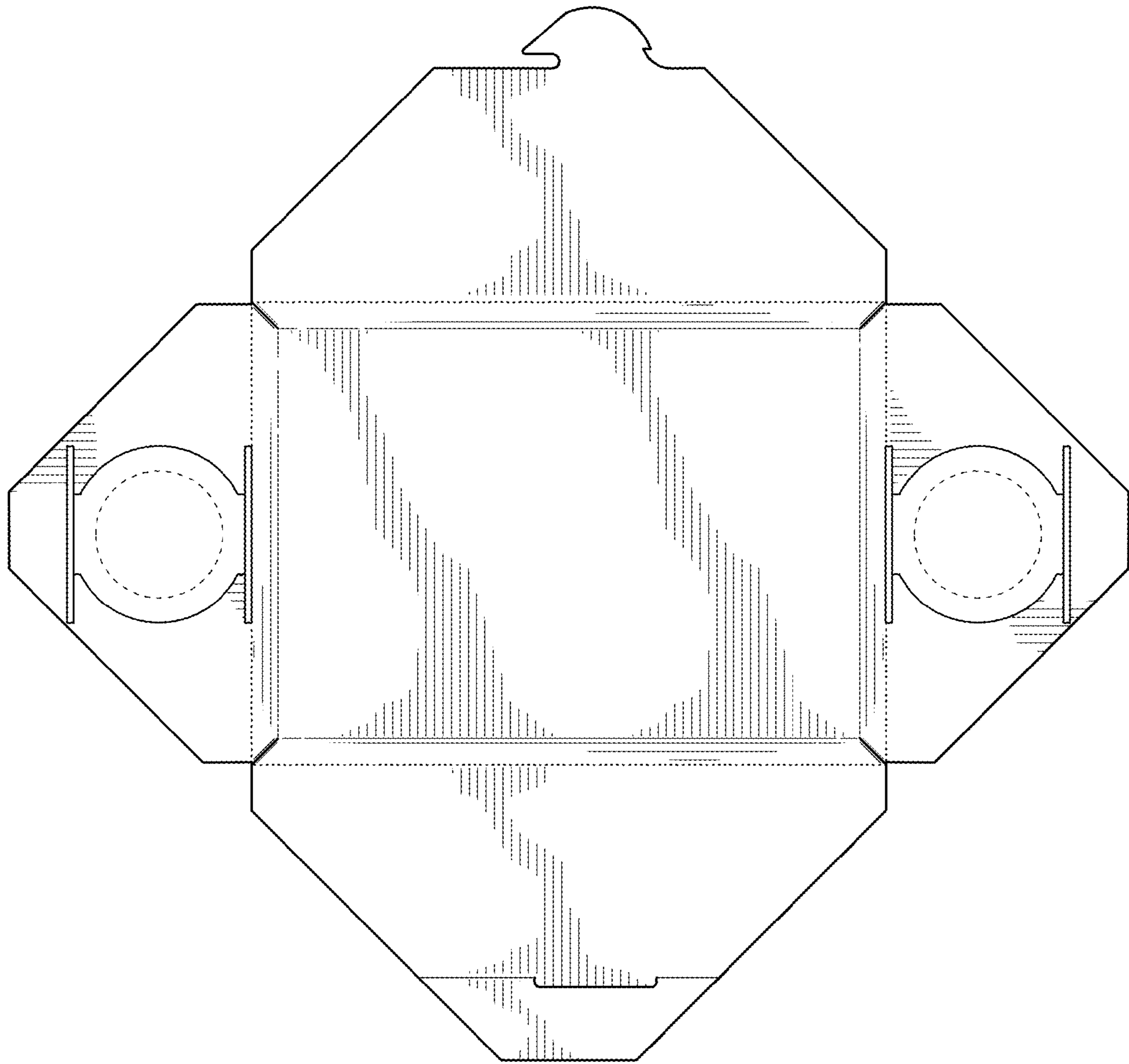


FIG. 25

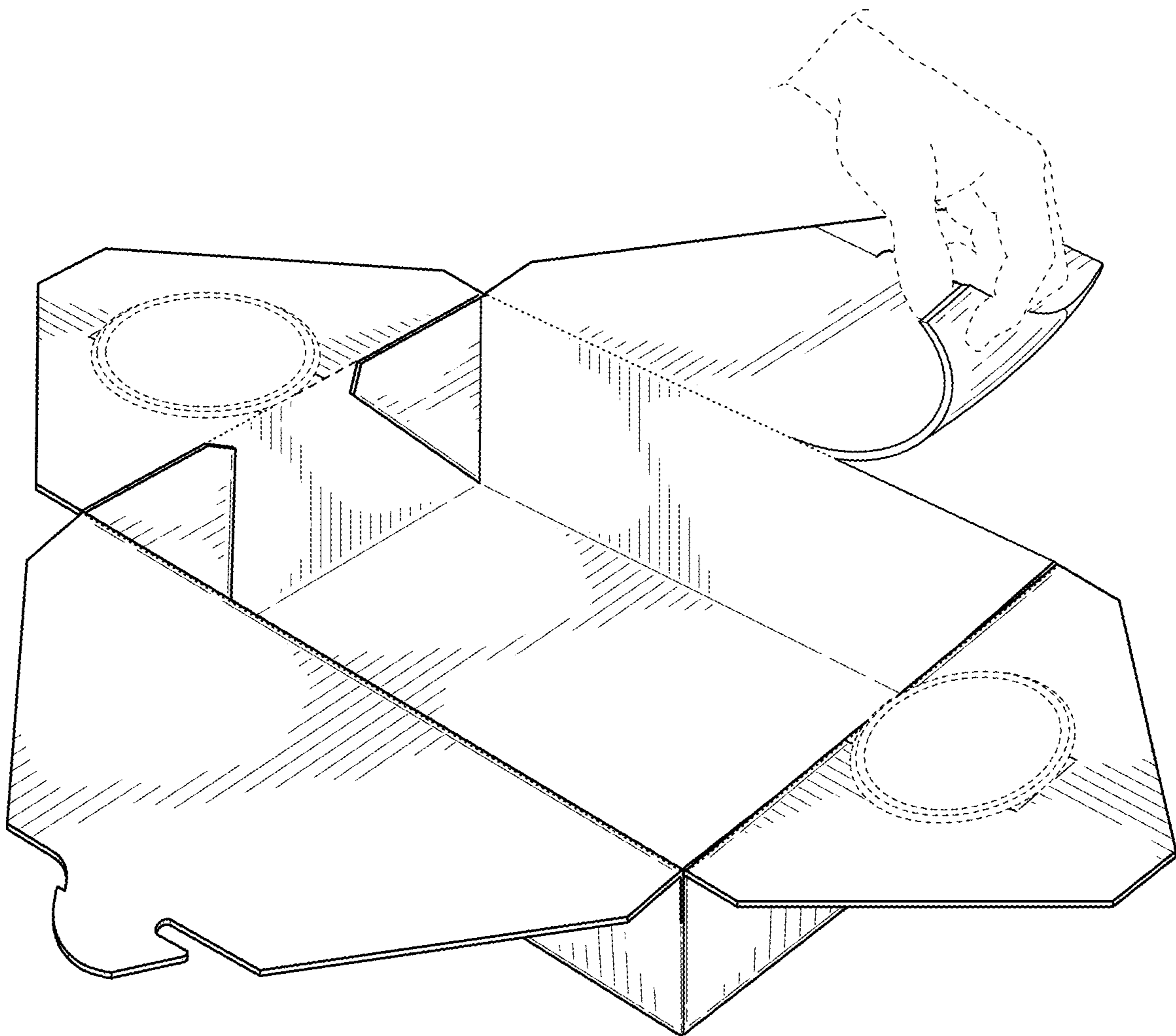


FIG. 26