



US00D955875S

(12) **United States Design Patent**
Sill et al.

(10) **Patent No.:** **US D955,875 S**
(45) **Date of Patent:** **** *Jun. 28, 2022**

(54) **CARTON WITH REMOVABLE LID**

(71) Applicant: **Inno-Pak, LLC**, Delaware, OH (US)

(72) Inventors: **Jonathan D. Sill**, Delaware, OH (US);
Steven A. Mayer, Indianapolis, IN (US);
Christopher J. Shepardson, Kingwood, TX (US);
Edward Von Doersten, Austin, TX (US)

(73) Assignee: **Inno-Pak, LLC**, Delaware, OH (US)

(*) Notice: This patent is subject to a terminal disclaimer.

(**) Term: **15 Years**

(21) Appl. No.: **29/673,497**

(22) Filed: **Dec. 14, 2018**

(51) **LOC (13) Cl.** **09-03**

(52) **U.S. Cl.**
USPC **D9/431; D9/433**

(58) **Field of Classification Search**
USPC D9/414-423, 430-433, 434, 456, 457,
D9/711, 713, 721-722, 737, 756, 758,
D9/759, 760; D20/10, 22, 27, 40, 42
(Continued)

(56) **References Cited**

U.S. PATENT DOCUMENTS

D73,127 S 7/1927 Greve
2,019,870 A 11/1935 Perry
(Continued)

FOREIGN PATENT DOCUMENTS

GB 2088269 A 11/1999

OTHER PUBLICATIONS

Alibaba.com, "Black Disposable Divided Food Trays", Available from Internet, <URL:https://thai.alibaba.com/product-detail/black-

disposable-divided-food-trays-plastic-1238104653.html>, Oct. 17, 2013, [earliest online date], [site visited Apr. 3, 2017], 9 pages.

(Continued)

Primary Examiner — Vy N Koenig

(74) *Attorney, Agent, or Firm* — Ward and Smith, P.A.;
Ryan K. Simmons

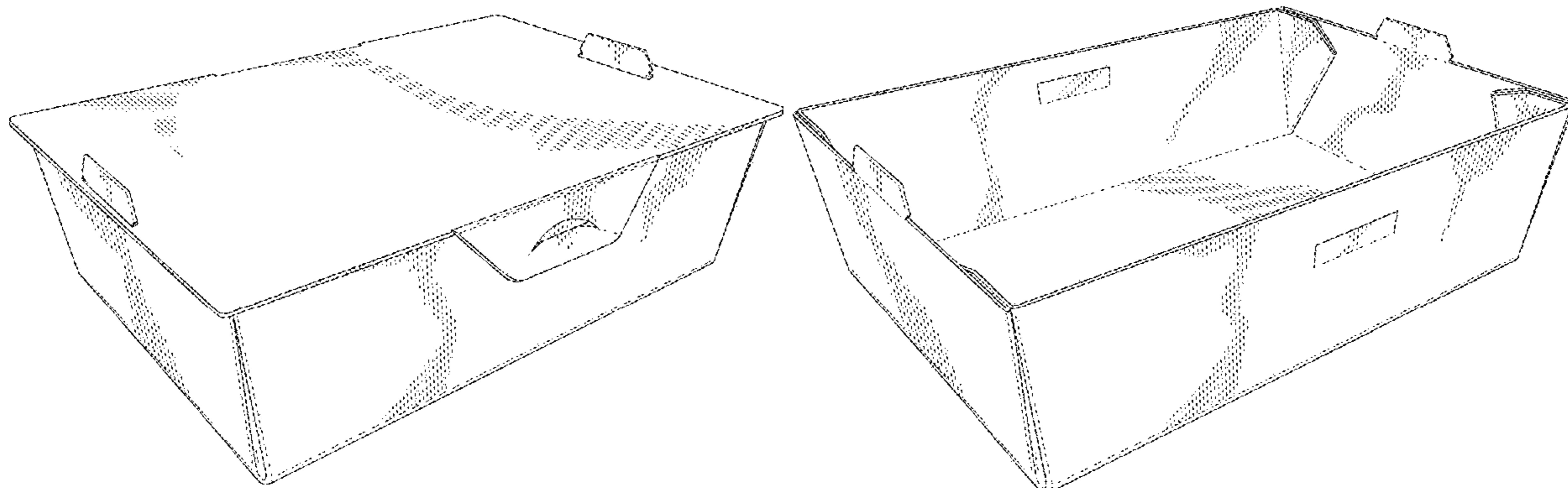
(57) **CLAIM**

The ornamental design for a carton with removable lid, as shown and described.

DESCRIPTION

FIG. 1 is a perspective view of a carton with removable lid showing the new design;
FIG. 2 is a front elevation view thereof, the rear being a mirror image;
FIG. 3 is left side elevation view thereof, the right side being a mirror image;
FIG. 4 is a top plan view thereof;
FIG. 5 is bottom plan view thereof;
FIG. 6 is another perspective view of the carton with removable lid of FIG. 1 shown without the removable lid;
FIG. 7 is a front elevation view thereof, the rear being a mirror image;
FIG. 8 is left side elevation view thereof, the right side being a mirror image;
FIG. 9 is a top plan view thereof;
FIG. 10 is bottom plan view thereof;
FIG. 11 is a top plan view of the carton of FIG. 6 in a blank configuration;
FIG. 12 is a top plan view of the carton of FIG. 11 shown in an alternate blank configuration;
FIG. 13 is a top plan view of the carton of FIG. 11 shown in another alternate blank configuration; and,
FIG. 14 is a top plan view of the removable lid only of FIG. 1, the bottom being a mirror image.
In the Figures, the broken lines illustrate perforations and form part of the claimed design.

1 Claim, 14 Drawing Sheets



(58) **Field of Classification Search**
 CPC ... B65D 5/00; B65D 5/02; B65D 5/18; B65D
 5/20
 See application file for complete search history.

(56) **References Cited**
 U.S. PATENT DOCUMENTS

2,062,949 A	12/1936	Taylor	D445,311 S	7/2001	Emonet et al.
D106,826 S	11/1937	Dieffenbach	D448,130 S	9/2001	Wagner
D126,123 S	3/1941	Clemens	D451,769 S	12/2001	Stanos et al.
2,341,762 A	2/1944	Conklin	D454,495 S	3/2002	Bryan et al.
2,355,729 A	8/1944	Inman	D460,689 S	7/2002	Robinson
2,409,736 A	10/1946	Caimi	D461,406 S	8/2002	Iacovelli
2,475,294 A	7/1949	Rafoth	D467,798 S	12/2002	Cohon
D158,362 S	5/1950	Dischler	6,612,482 B2	9/2003	Ross
2,568,170 A	9/1951	Ringler	D484,364 S	12/2003	Bailey et al.
2,786,572 A	3/1957	Gentry	D484,799 S	1/2004	Hoffman et al.
2,793,801 A	5/1957	Papadopoulos	D495,251 S	8/2004	Zack
D183,716 S	10/1958	Burns	D497,309 S	10/2004	Nordland et al.
2,927,502 A	3/1960	Watrous	D500,674 S	1/2005	Chou
3,027,063 A	3/1962	Zastrow	D504,813 S	5/2005	Chou
D194,246 S	12/1962	Engelmann	D509,733 S	9/2005	Jongens
D200,249 S	2/1965	Hancock	D512,836 S	12/2005	Marnell, II
3,367,557 A	2/1968	Farquhar	7,004,314 B2	2/2006	Pucillo et al.
D211,564 S	7/1968	Bailey	D519,366 S	4/2006	Epstein
3,391,816 A	7/1968	Swett	D519,830 S	5/2006	Yocum
D212,495 S	10/1968	Stageberg	D521,376 S	5/2006	Mosto
3,443,681 A	5/1969	Wysocki	D521,862 S	5/2006	Siethoff et al.
D214,523 S	6/1969	Stone	D531,498 S	11/2006	Fluegel et al.
D217,441 S	5/1970	Kanaga	D542,129 S	5/2007	Moorman
D219,263 S	11/1970	Castelli et al.	D549,456 S	8/2007	Dretzka
3,595,425 A	7/1971	Eicholtz et al.	D549,457 S	8/2007	Dretzka
3,604,614 A	9/1971	Sternfeld	D557,047 S	12/2007	Dretzka
3,640,380 A	2/1972	Huffman	D561,023 S	2/2008	Jacxsens
D224,090 S	7/1972	Cyr et al.	D561,408 S	2/2008	Marsh
3,701,181 A	10/1972	Lock	D562,125 S	2/2008	Kienemund-paroll
D232,302 S	8/1974	Lazure	D563,673 S	3/2008	Dretzka
D232,524 S	8/1974	Schy	D567,671 S	4/2008	Say Ulin
3,853,220 A	12/1974	Luray	D568,765 S	5/2008	Miles
D241,016 S	8/1976	Reynold	D573,408 S	7/2008	Lovett
D255,011 S	5/1980	Cooper et al.	D573,409 S	7/2008	Lovett
D259,615 S	6/1981	Morris, Jr.	D576,482 S	9/2008	Debusk
D260,604 S	9/1981	Otto	D578,387 S	10/2008	Lovett
D276,137 S	10/1984	Vere et al.	D582,268 S	12/2008	Zanaletti
4,529,464 A	7/1985	Jones	D582,791 S	12/2008	Elmerhaus
D280,290 S	8/1985	Bakus	D584,108 S	1/2009	Olsson
4,596,356 A	6/1986	Chaussadas	D590,596 S	4/2009	Dretzka
4,844,328 A	7/1989	Cooper	D595,155 S	6/2009	Larson
4,846,398 A	7/1989	Johnson	D596,027 S	7/2009	Kalberer
D329,376 S	9/1992	Burd	D596,448 S	7/2009	Nolan
5,226,588 A	7/1993	Schramm et al.	D596,449 S	7/2009	Nolan
5,322,182 A	6/1994	Fritz	D596,903 S	7/2009	Willis et al.
D351,997 S	11/1994	Finnah	7,565,997 B1	7/2009	Lim
D352,203 S	11/1994	Campbell et al.	D599,611 S	9/2009	Hoekstra
5,411,204 A	5/1995	DeMay	D605,896 S	12/2009	Zalewski et al.
5,419,451 A	5/1995	Bitel, Jr.	D608,153 S	1/2010	Furlong
D363,192 S	10/1995	Reeves et al.	D615,822 S	5/2010	Klein
D363,856 S	11/1995	Westbrooks, Jr.	D622,139 S	8/2010	Marcott et al.
5,484,059 A	1/1996	Sutherland	D630,508 S	1/2011	Hubbard, Jr. et al.
D367,172 S	2/1996	Brightbill et al.	D630,885 S	1/2011	Stein
D371,940 S	7/1996	Krupa	D631,741 S	2/2011	Hubbard, Jr. et al.
D372,170 S	7/1996	Ahern, Jr.	D631,742 S	2/2011	Hubbard, Jr. et al.
D376,953 S	12/1996	Dunn	D631,743 S	2/2011	Hubbard, Jr. et al.
D394,385 S	5/1998	Laughlin	D633,341 S	3/2011	Smyers
D395,547 S	6/1998	Sussman	D635,469 S	4/2011	Buitrago
5,765,685 A	6/1998	Roosa	D641,256 S	7/2011	Fisher
D397,294 S	8/1998	Saulas	D642,934 S	8/2011	Ly
D398,526 S	9/1998	Schwarz et al.	D643,311 S	8/2011	Meyers
5,855,275 A	1/1999	Hunter et al.	D645,708 S	9/2011	Stamper et al.
5,873,220 A	2/1999	Haraldsson et al.	8,061,585 B2	11/2011	Nikolai et al.
D409,908 S	5/1999	Besana	D649,838 S	12/2011	Stamper et al.
5,927,502 A	7/1999	Hunter	D652,316 S	1/2012	Ren et al.
D412,398 S	8/1999	Watabe	D653,496 S	2/2012	Henry
D440,118 S	4/2001	Claffy et al.	D657,261 S	4/2012	de Gast
D442,859 S	5/2001	Hirschey	D665,271 S	8/2012	Halty et al.
D444,703 S	7/2001	Allasia	D665,628 S	8/2012	Mayer
			D669,352 S	10/2012	Paslawski
			D674,690 S	1/2013	Sill
			D675,092 S	1/2013	Sill
			D675,520 S	2/2013	Sill
			D675,920 S	2/2013	Sill
			D676,742 S	2/2013	Walter et al.
			D678,760 S	3/2013	Cooper
			D678,761 S	3/2013	Cooper
			D678,762 S	3/2013	Cooper
			D678,779 S	3/2013	Lee

(56)

References Cited

U.S. PATENT DOCUMENTS

D679,950 S 4/2013 Cooper
 D680,426 S * 4/2013 Baker D9/431
 D682,085 S 5/2013 Hannant et al.
 D682,684 S 5/2013 Walter et al.
 D684,050 S * 6/2013 Vernon D9/434
 D684,465 S 6/2013 Vernon et al.
 D684,858 S 6/2013 Sill
 D688,552 S 8/2013 Vernon et al.
 D688,572 S 8/2013 Marin
 D688,921 S 9/2013 Miros et al.
 D691,035 S 10/2013 Sill
 D693,180 S 11/2013 Peterson et al.
 D693,215 S 11/2013 Sill
 D693,216 S 11/2013 Sill
 D693,217 S 11/2013 Sill
 D693,218 S 11/2013 Sill
 D693,646 S 11/2013 Katterheinrich et al.
 D693,679 S 11/2013 Sill
 D695,101 S 12/2013 Keberlein et al.
 D695,104 S 12/2013 Sill
 D695,107 S 12/2013 Clements
 D695,575 S 12/2013 Katz
 D695,605 S 12/2013 Johnson
 D697,789 S 1/2014 Gerdes et al.
 D706,132 S 6/2014 Sill
 D707,042 S 6/2014 Ruzzenente
 D707,123 S 6/2014 Marchetti et al.
 D710,691 S 8/2014 Genender
 D712,153 S 9/2014 Lee
 D714,638 S 10/2014 Mohn et al.
 D718,641 S 12/2014 Ryan et al.
 8,939,350 B2 1/2015 Valencia
 D726,533 S 4/2015 Northrup
 D727,724 S 4/2015 Pipes et al.
 D727,732 S 4/2015 Petty
 D728,359 S 5/2015 Iwegbu
 D728,364 S 5/2015 Baker et al.
 D730,178 S 5/2015 Fullan
 D731,325 S 6/2015 Loessin
 D735,576 S 8/2015 Aldridge
 D737,820 S 9/2015 Yu et al.
 D742,759 S 11/2015 Ryan et al.
 9,211,970 B2 12/2015 Hubbard, Jr. et al.
 9,212,842 B2 12/2015 Vasbinder et al.
 9,216,837 B2 12/2015 Hubbard et al.
 D746,643 S 1/2016 Kraemer
 D746,671 S 1/2016 Fohner et al.
 D752,429 S 3/2016 Mayer
 9,309,023 B2 4/2016 Hubbard, Jr. et al.
 D758,184 S 6/2016 Tu et al.
 D760,036 S 6/2016 Hucuptan
 D763,706 S 8/2016 Shum et al.
 D764,276 S 8/2016 Das et al.
 D764,281 S 8/2016 Mayer
 D766,664 S 9/2016 Wilson et al.
 D767,409 S 9/2016 Nickell
 D769,732 S 10/2016 Shoshan
 D770,270 S 11/2016 MCGarry et al.
 D771,486 S 11/2016 Mayer
 D772,053 S 11/2016 Mayer
 D775,946 S 1/2017 Ghini et al.
 D776,548 S 1/2017 Bell
 D777,029 S 1/2017 Stratton
 D778,115 S 2/2017 Strachan
 D778,155 S 2/2017 Strachan
 D778,722 S 2/2017 Strachan
 D784,769 S 4/2017 Beckman et al.
 D786,621 S 5/2017 Davis
 D792,160 S 7/2017 Ng
 D792,161 S 7/2017 Ng
 D792,211 S 7/2017 Foster et al.
 D792,222 S 7/2017 Sill et al.
 D792,761 S 7/2017 Duval et al.
 D793,868 S 8/2017 Kim et al.
 D798,707 S 10/2017 Mayer

D798,736 S 10/2017 Shoshan
 D809,849 S 2/2018 Lee
 D809,930 S 2/2018 Kagawa
 D809,931 S 2/2018 Kagawa
 D814,929 S 4/2018 Bergeron et al.
 D815,941 S 4/2018 Haddad
 D815,955 S 4/2018 Park et al.
 10,017,290 B2 7/2018 Faulkner et al.
 D828,099 S 9/2018 Zhang
 D828,157 S 9/2018 Paradis
 D828,766 S * 9/2018 Latour D9/711
 D829,563 S 10/2018 Park et al.
 D830,193 S 10/2018 Park et al.
 D830,852 S 10/2018 Sill et al.
 D836,449 S 12/2018 Park et al.
 10,167,134 B2 1/2019 Zeitlin et al.
 D840,232 S 2/2019 Sill et al.
 D848,834 S * 5/2019 Exner D9/431
 D848,835 S * 5/2019 Exner D9/431
 D849,553 S 5/2019 Song et al.
 D850,932 S 6/2019 Troudt et al.
 D850,933 S 6/2019 Troudt et al.
 D854,942 S 7/2019 Requena et al.
 D854,943 S 7/2019 Requena et al.
 D858,270 S 9/2019 Requena et al.
 D858,273 S * 9/2019 Exner D9/431
 D860,781 S * 9/2019 Exner D9/431
 D864,753 S * 10/2019 Exner D9/705
 D869,289 S 12/2019 Sill et al.
 D875,530 S 2/2020 Sill et al.
 2002/0108955 A1 8/2002 Erb
 2003/0217946 A1 11/2003 Hsu
 2004/0182916 A1 9/2004 Roseth
 2005/0051461 A1 3/2005 Bryant
 2005/0124521 A1 6/2005 Sadlowski et al.
 2005/0150788 A1 7/2005 Feusner
 2007/0074993 A1 4/2007 Philips
 2007/0178194 A1 8/2007 Everard
 2008/0269034 A1 10/2008 Stier
 2009/0186132 A1 7/2009 Mangino et al.
 2010/0065620 A1 3/2010 Smith
 2011/0240653 A1 10/2011 Castner et al.
 2012/0234904 A1 9/2012 Costanzo, Jr.
 2014/0203070 A1 7/2014 Lee
 2014/0263353 A1 9/2014 Bell
 2014/0263600 A1 9/2014 Valencia
 2016/0107830 A1 4/2016 Baryshyan
 2018/0339807 A1 11/2018 Mobarhan
 2019/0322409 A1 10/2019 Sill et al.
 2020/0189806 A1 * 6/2020 Sill B65D 5/241

OTHER PUBLICATIONS

Alibaba.com, “Disposable Plastic Two Compartment Food Container”, [site visited Mar. 8, 2018], 8 pages.
 Amazon, “Food Containers 3 Compartment Premium”, Available from internet <URL: https://www.amazon.com/dp/B0741BQMY7/ref=sspa_dk_detail_2?psc=1%20&pd_rd_i=B0741BQMY7&pd_rd_wg=qDStp%20&pd_rd_r=ACEV1YJAC97ZZPCCXWCW&pd_rd_w=XZKtg>, Jul. 18, 2017, [earliest online date], [site visited Mar. 8, 2018], 9 pages.
 Amazon, “Southern Champion Tray 0731 #1 ChampPak Classic Take-Out Container, Kraft Paperboard Coated Inside”, Southern Champion Tray, Jan. 17, 2013, [online], [site visited Oct. 30, 2015], 1 page.
 Amazon, “DART 205HT2, 9x6x3-Inch Performer White Two Compartment Foam Container with a Removable Hinged Lid, Carryout Food Disposable Containers”, Available from Internet, <URL: [amazon.com/DART-205HT2-9x6x3-Inch-Compartment-Disposable/dp/B01LWTYPEW/ref=sr_1_2?keywords=Dart+205HT2&qid=1572602603&sr=8-2](https://www.amazon.com/DART-205HT2-9x6x3-Inch-Compartment-Disposable/dp/B01LWTYPEW/ref=sr_1_2?keywords=Dart+205HT2&qid=1572602603&sr=8-2)>, Sep. 12, 2016, 6 pages.
 Amazon, “Freshware Meal Prep Containers [30 Pack] 3 Compartment with Lids, Food Storage Containers, Bento Box | BPA Free | Stackable | Microwave/Dishwasher/Freezer Safe (32 oz)”, Feb. 13, 2019, 9 pages.

(56)

References Cited

OTHER PUBLICATIONS

Amazon, "Pactiv RCL750200, 3-Compartment Aluminum Foil Pans Combo with Flat Foil Lids, Take Out Disposable Foil Containers with Matching Covers", Available from Internet, <URL:https://www.amazon.com/Pactiv-RCL750200-3-Compartment-Disposable-Containers/dp/B01LXOJ7BP/ref=sr_1_1?keywords=Pactiv+RCL750200&qid=1572606252&sr=8-1 >, Sep. 28, 2016, 5 pages.

Amazon, "Southern Champion Tray 23133K Kraft Paperboard Lock Corner Window Bakery Box", Southern Champion Tray, Mar. 15, 2013, 1 page.

Dean Supply, "Disposable Takeout Containers", Available from Internet, <URL: https://www.shopatdean.com/collections/disposable-takeout-containers-foam-paper-plastic-compostable/rectangular>, 2018, [earliest online date], [site visited Mar. 8, 2018], 9 pages.

Flex Active Sports, "Buy 3-Compartment Food Prep Containers", Available from Internet, <URL:http://flexactivesports.com/buv-3-Compartment-food-prep-containers/>, Jan. 5, 2016, [earliest online date], [site visited Apr. 17, 2017], 14 pages.

Glynn, Robin "Origami treasure chest", Available from Internet, <URL:https://www.youtube.com/watch?v=WpgGqeBQvi4>, available on Nov. 29, 2010, [online], [site visited Oct. 30, 2015]. 1 page.

Importitall, "Southern Champion Tray 0761#1", [online] Published date unknown. Retrieved on Jul. 13, 2017, 1 page.

Importitall, "Southern Champion Tray 0764#1", [online] Published date unknown. Retrieved on Jul. 13, 2017, 1 page.

Inno-Pak, "Innobox Edge Insert", Oct. 25, 2016, [earliest online date], [site visited Feb. 2, 2017]. 3 pages.

"Kalifornia Love: Extra Fruit Sensations Sweet Watermelon", Available from Internet, <URL:http://www.kalifornialove.com/2010/07/extra-fruit-sensations-sweet-watermelon.html>, Jul. 28, 2010, [earliest online date], [site visited Nov. 4, 2016], 20 pages.

Nearof, "Review: Stride Spark Vitamin Chewing Gum", Available from Internet, URL:http://www.nearof.com/review-stride-spark-vitamin-chewing-gum/, Sep. 7, 2011, 4 pages.

Robives, "Curved Lid Box", [site visited Oct. 30, 2015], Nov. 2, 2013, 1 page.

Splash Packaging, "Natural Kraft Windowed Cake Pastry and Pie Boxes", Oct. 4, 2014, 1 page.

The Delaware Gazette, "Inno-Pak is Staying Put", Available from internet, <URL: https://www.delgazette.com/news/295/inno-pak-is-staying-put>, available on Jun. 13, 2015, [online], [site visited Dec. 11, 2015], 1 page.

The Dumbbelle, "Fitness Meal Prep Containers for Healthy Living", Available from Internet, URL:https://thedumbbelle.com/fitness-meal-prep-containers/, accessed on May 3, 2019, 9 pages.

Webstaurant Store, "Cambro 9113CW414 Camwear Teal 9"x11" 3 Compartment Meal Delivery Tray", Available from Internet, <URL: https://www.webstaurantstore.com/cambro-9113cw414-camwear-teal-9-x-11-3-compartment-meal-delivery-tray-case/2149113CWTE.html>. Mar. 14, 2010, 4 pages.

Youtube, "Inno-Pak Rigid Microwavable Take Out Containers", Available from internet <URL:https://www.youtube.com/watch?v=WolGFg_sHsk>, Sep. 17, 2014, [earliest online date], [site visited Feb. 2, 2017]. 1 page.

Amazon.com, "50 Paper Food to Go Containers—51 oz—New Design with Waist Seal Band—Eco Friendly Disposable Kraft Paper Take Out Food Container—Sturdy Leak & Grease Proof Microwavable Take Away Boxes", retrieved from web on Nov. 5, 2019, available on https://www.amazon.com/Paper-Food-Containers-Disposable-Microwavable/dp/B07M74VWXW, 6 pages.

WebstaurantStore.com, "Choice 7³/₄"x5¹/₂"x2" Kraft Microwavable Folded Paper #2 Take-Out Container—200/Case", retrieved from web on Nov. 5, 2019, available on https://www.webstaurantstore.com/choice-8-1-2-x-6-x-2-kraft-microwavable-folded-paper-2-take-out-container-case/795PTOKFT2.html, 6 pages.

Westrock, "FOLD-PAK—Bio-Plus Earth", retrieved from web on Nov. 5, 2019, available on http://www.fold-pak.com/products/Bio-PlusEarth.htm, 2 pages.

"Bowl Sleeve", The Custom Packaging Boxes, Available from internet, https://thecustompackagingboxes.com/boxes-by-style/bowl-sleeve/, 2018, 04 pages.

"Food packaging sleeves", Ostle & Maillard, 2019, 01 page.

JCPAK, "Cardboard Sleeves for Food Tray", Cartons and Boxes, Available from Internet, http://www.jchengpackage.com/Cartons_and_Boxes/28.html, 2018, 02 pages.

Shutterstock, "Empty Food Tray Sleeve Packaging with Handles and Blueprint Template", Available from Internet, https://www.shutterstock.com/image-illustration/empty-food-tray-sleeve-packaging-handles-288654425?rid=928534, 08 pages.

* cited by examiner

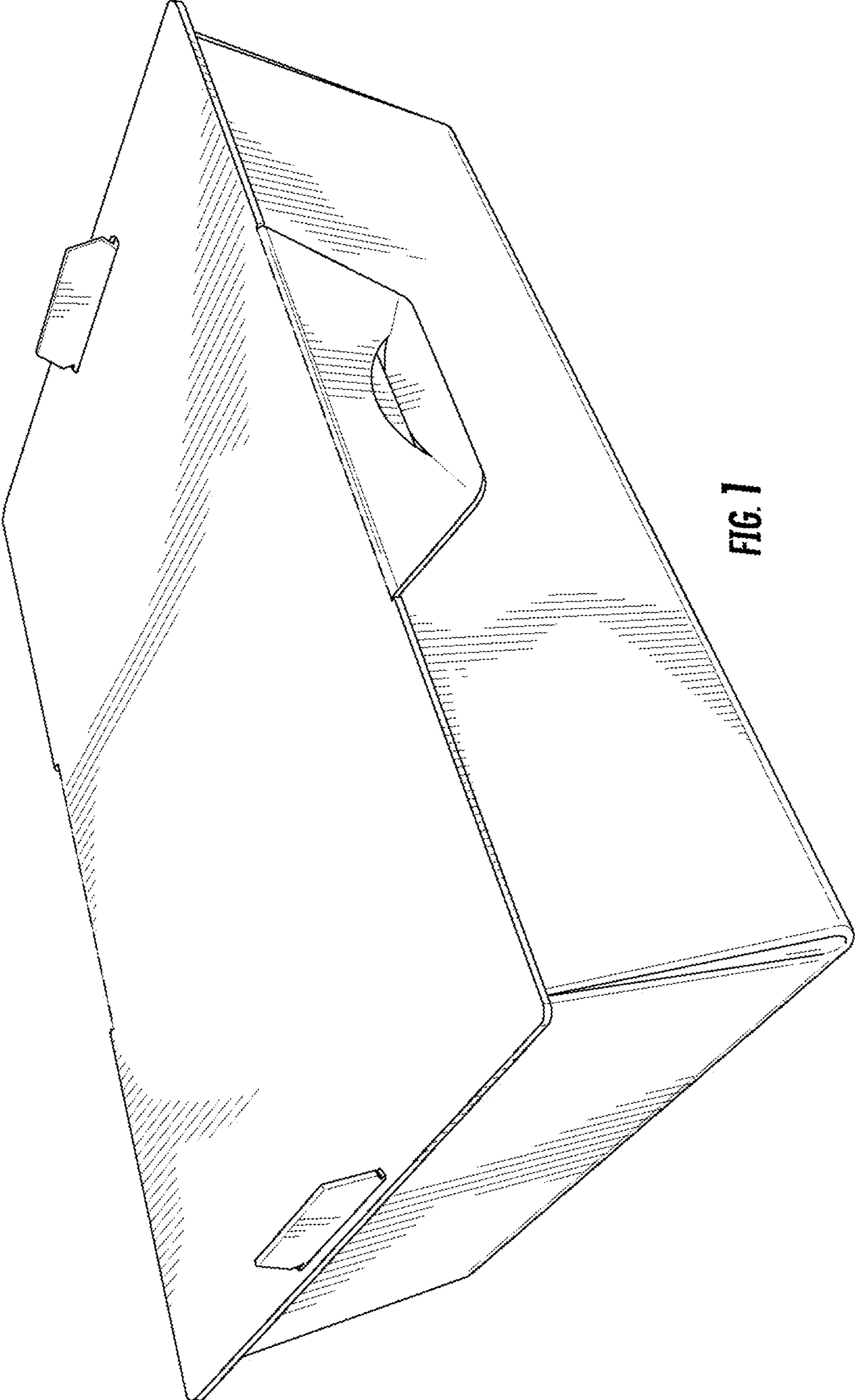


FIG. 1

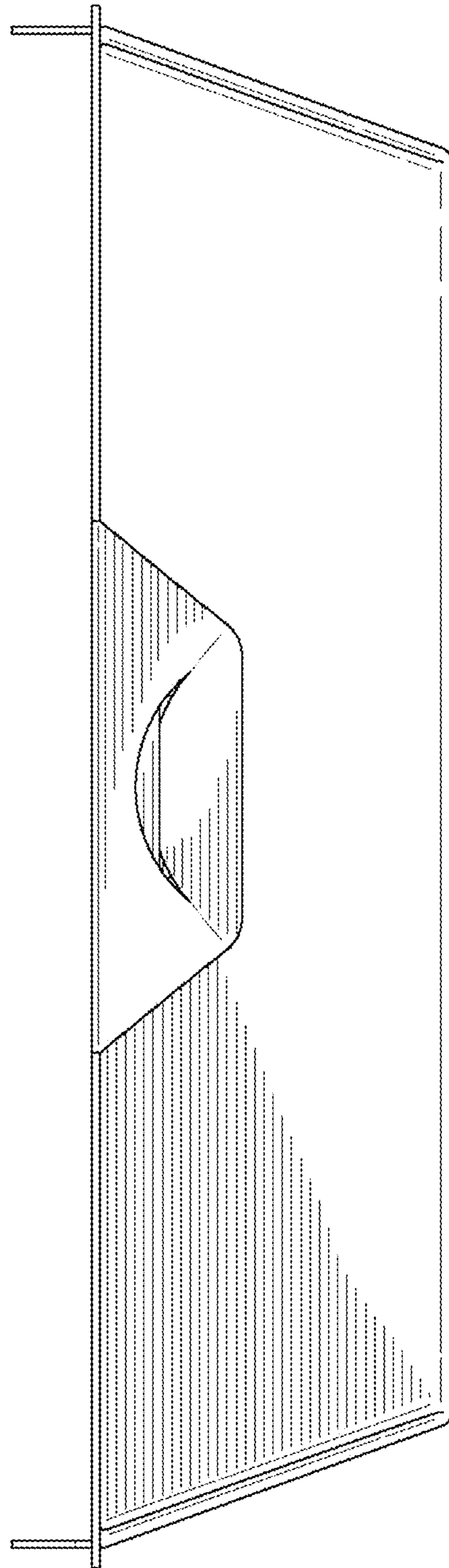


FIG. 2

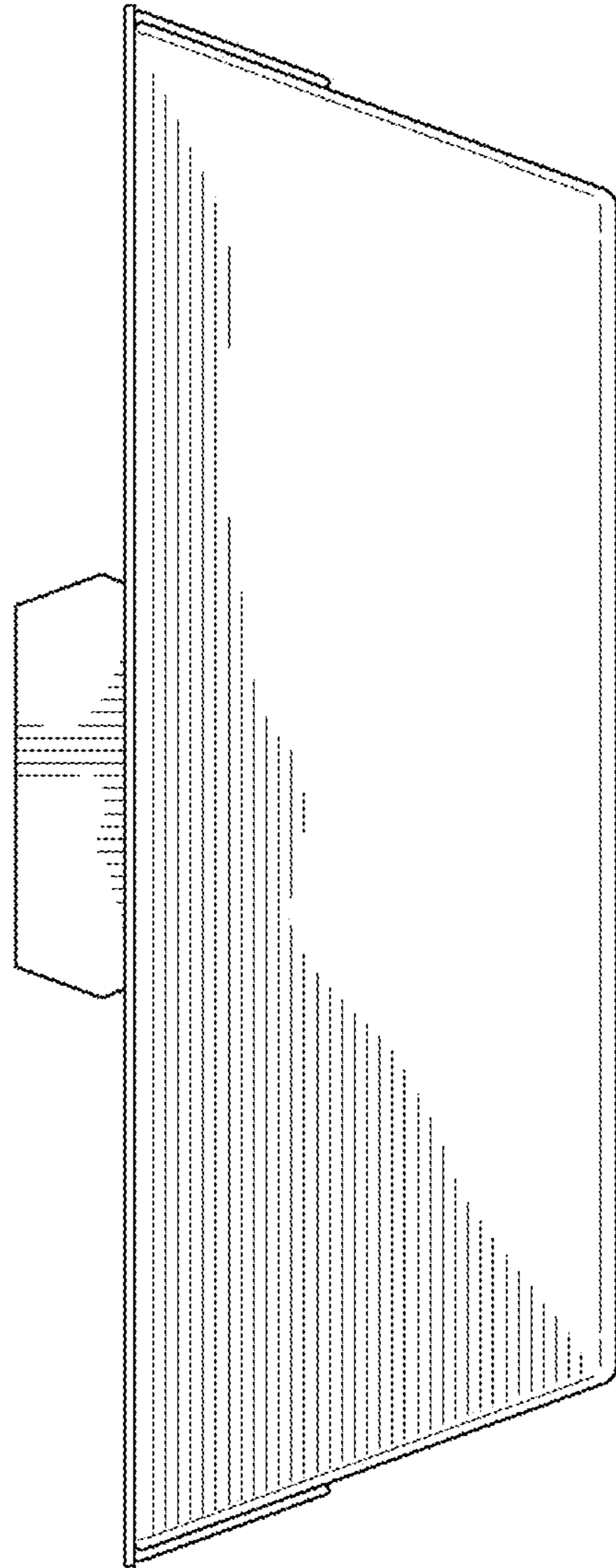


FIG. 3

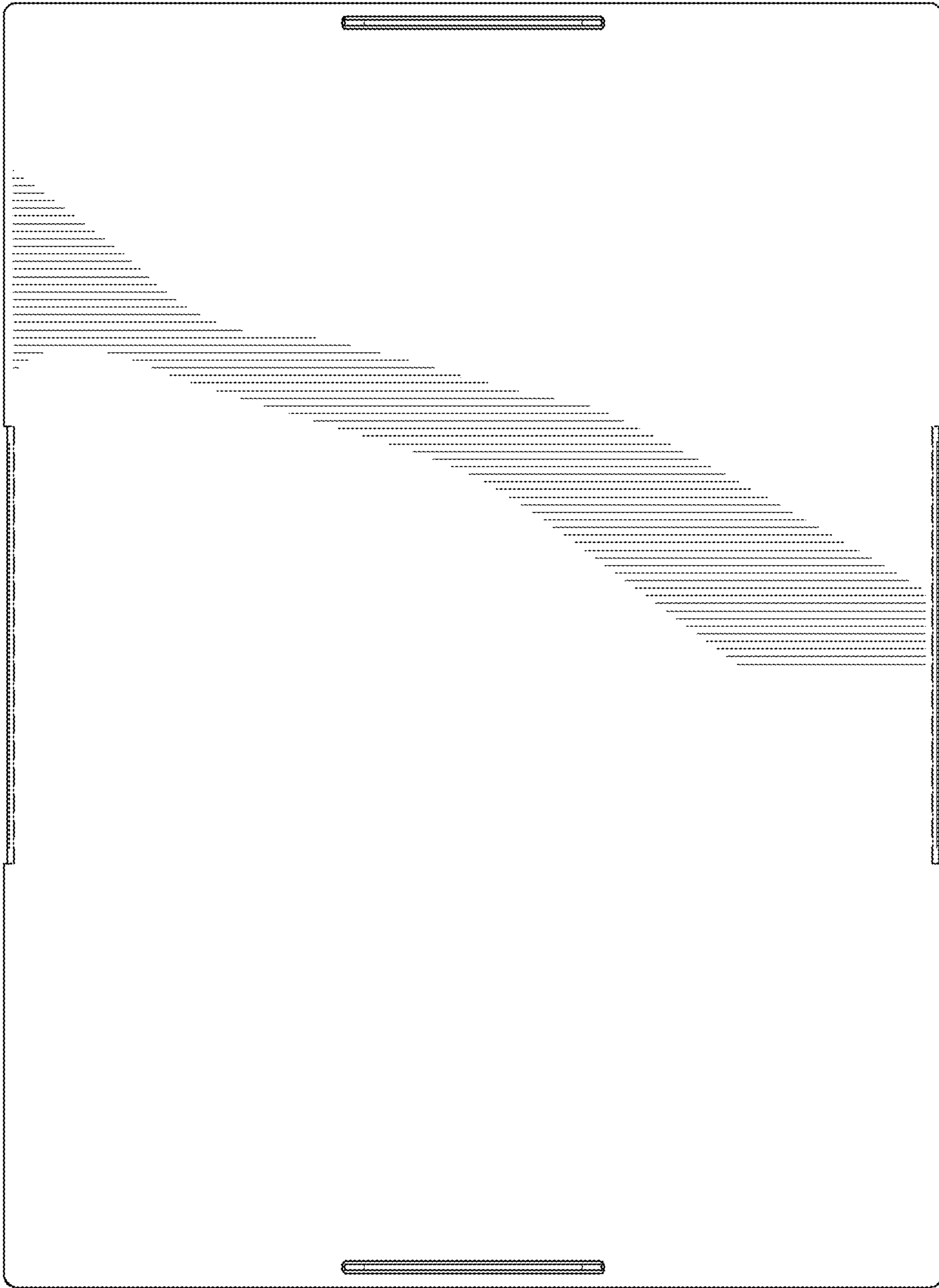


FIG. 4

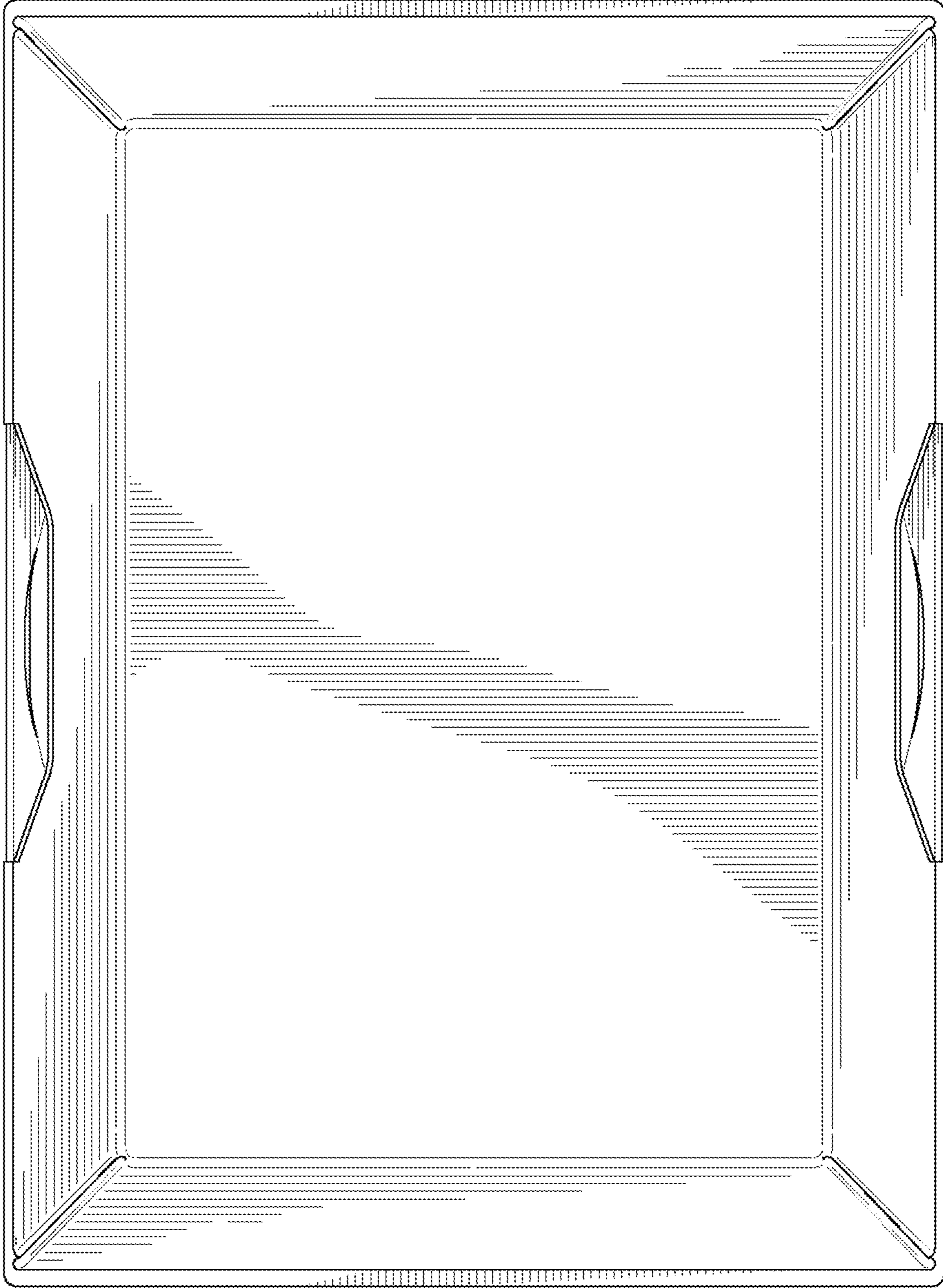


FIG. 5

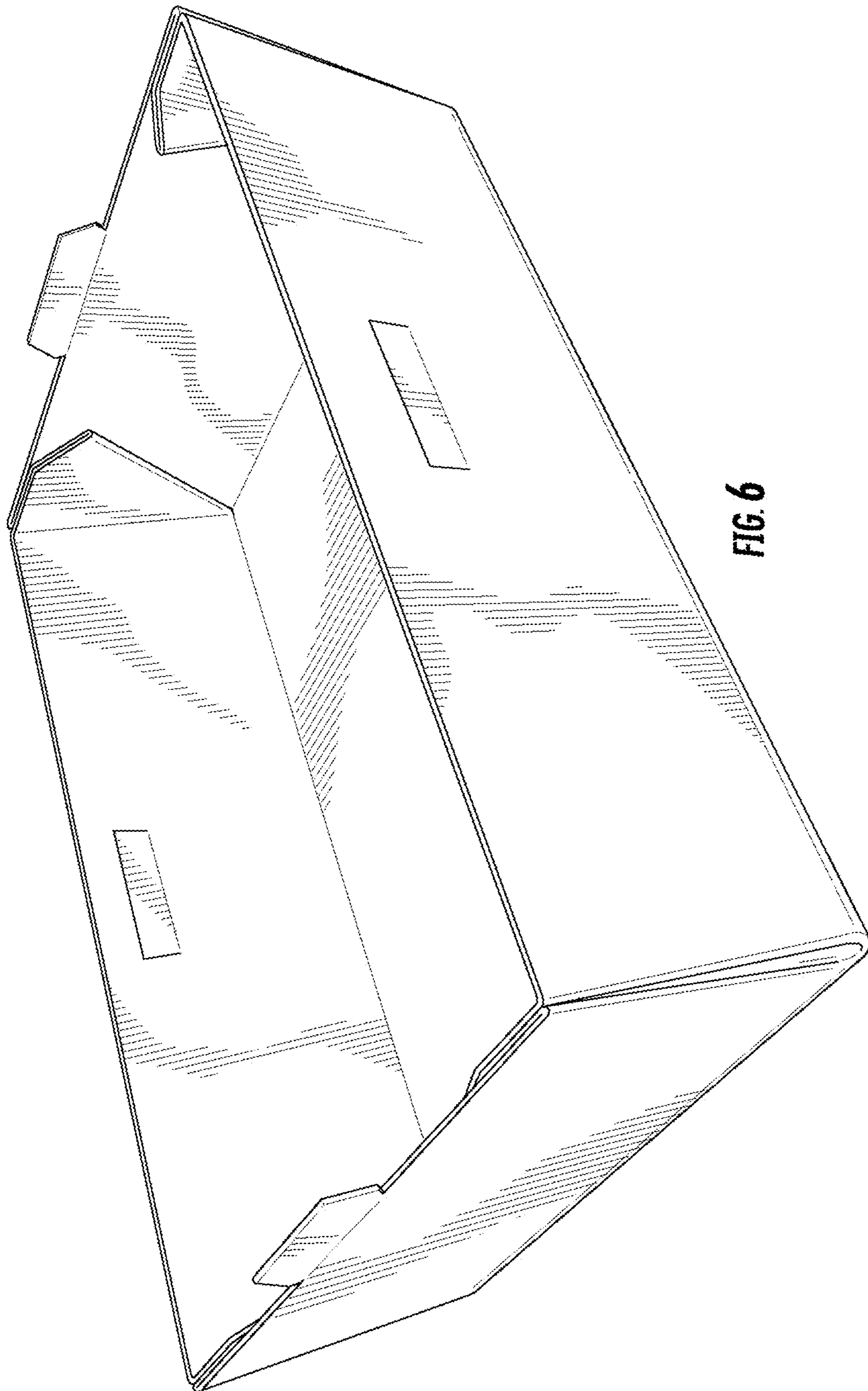


FIG. 6

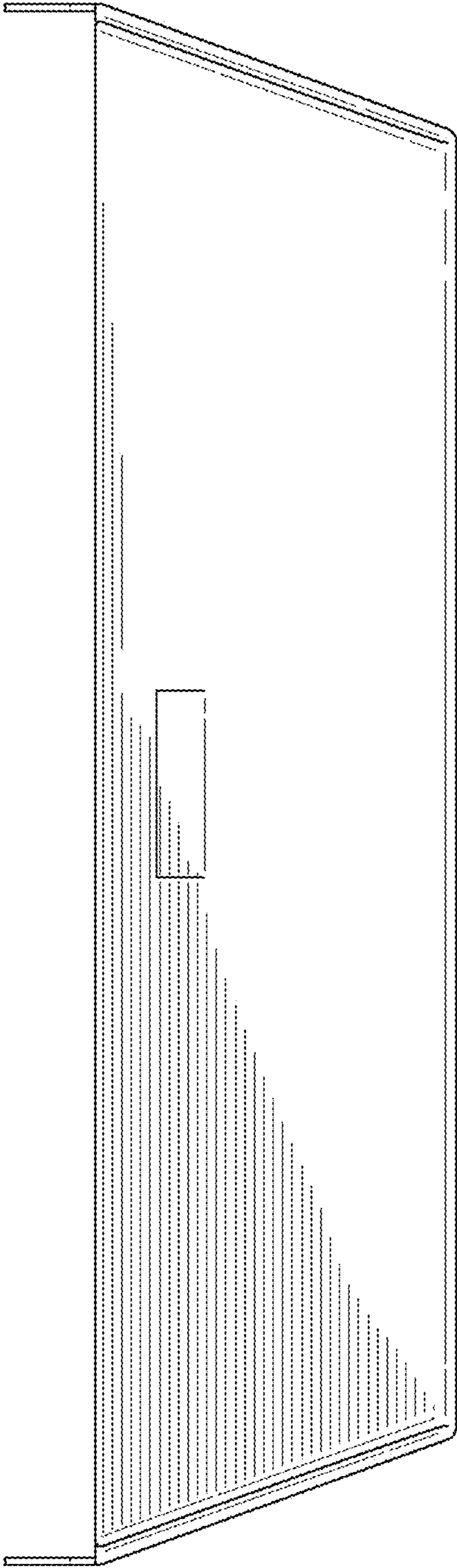


FIG. 7

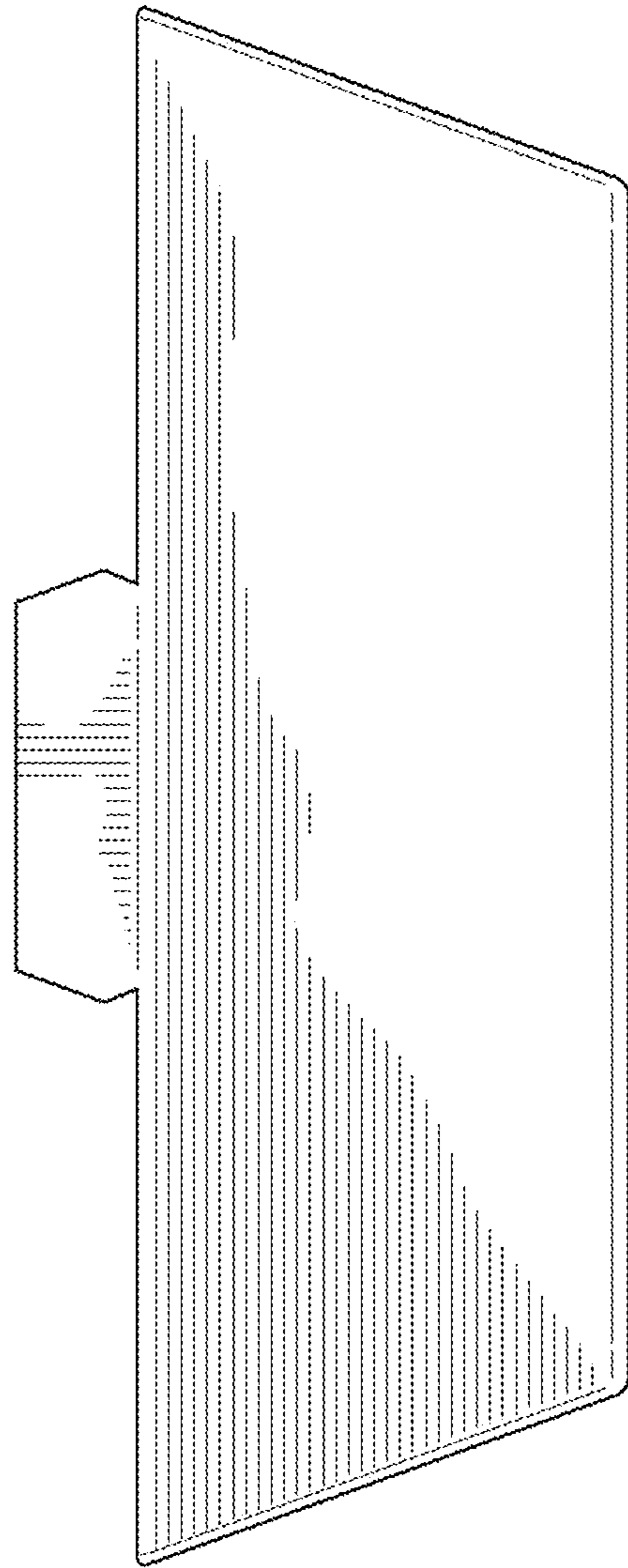


FIG. 8

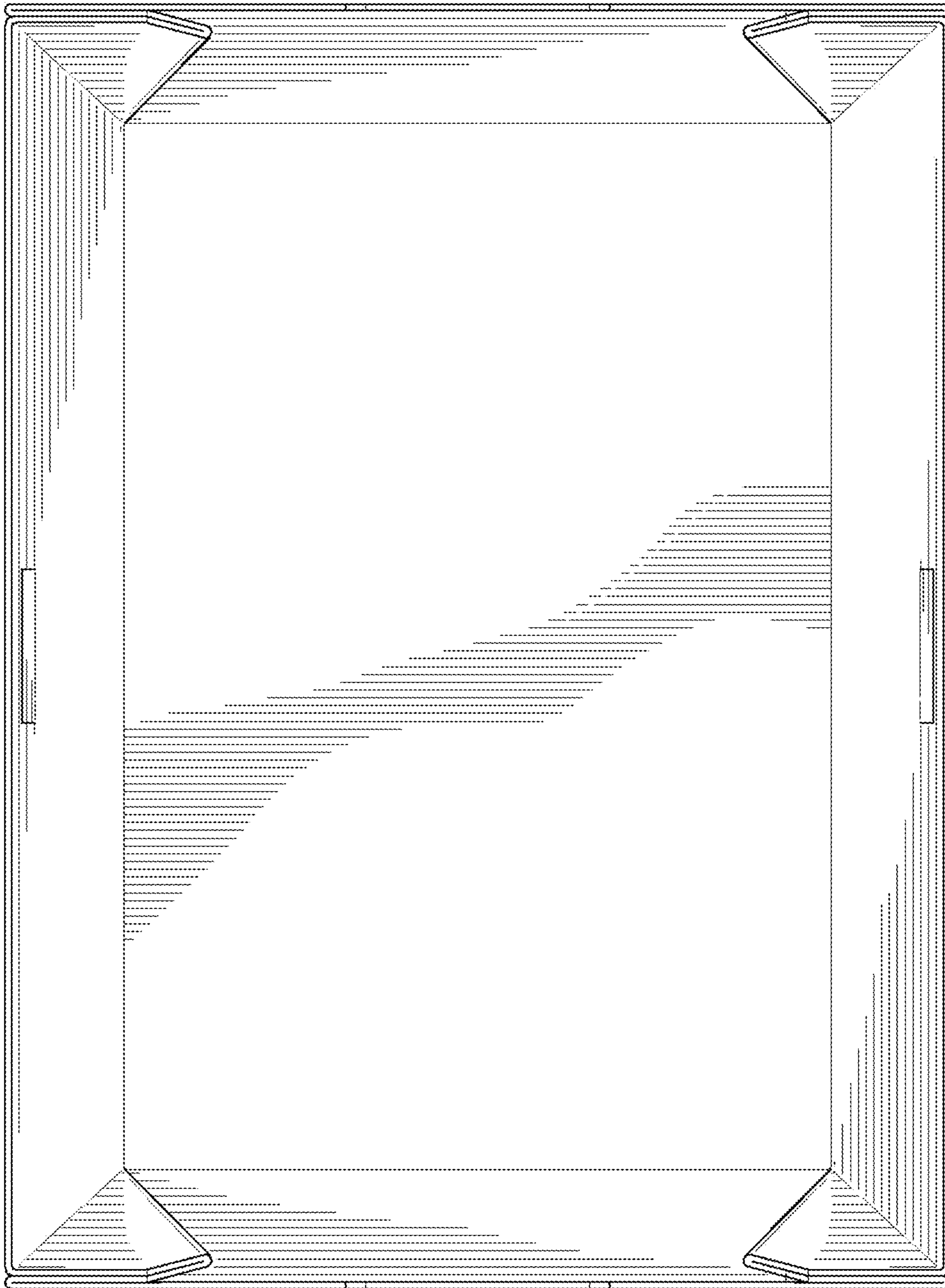


FIG. 9

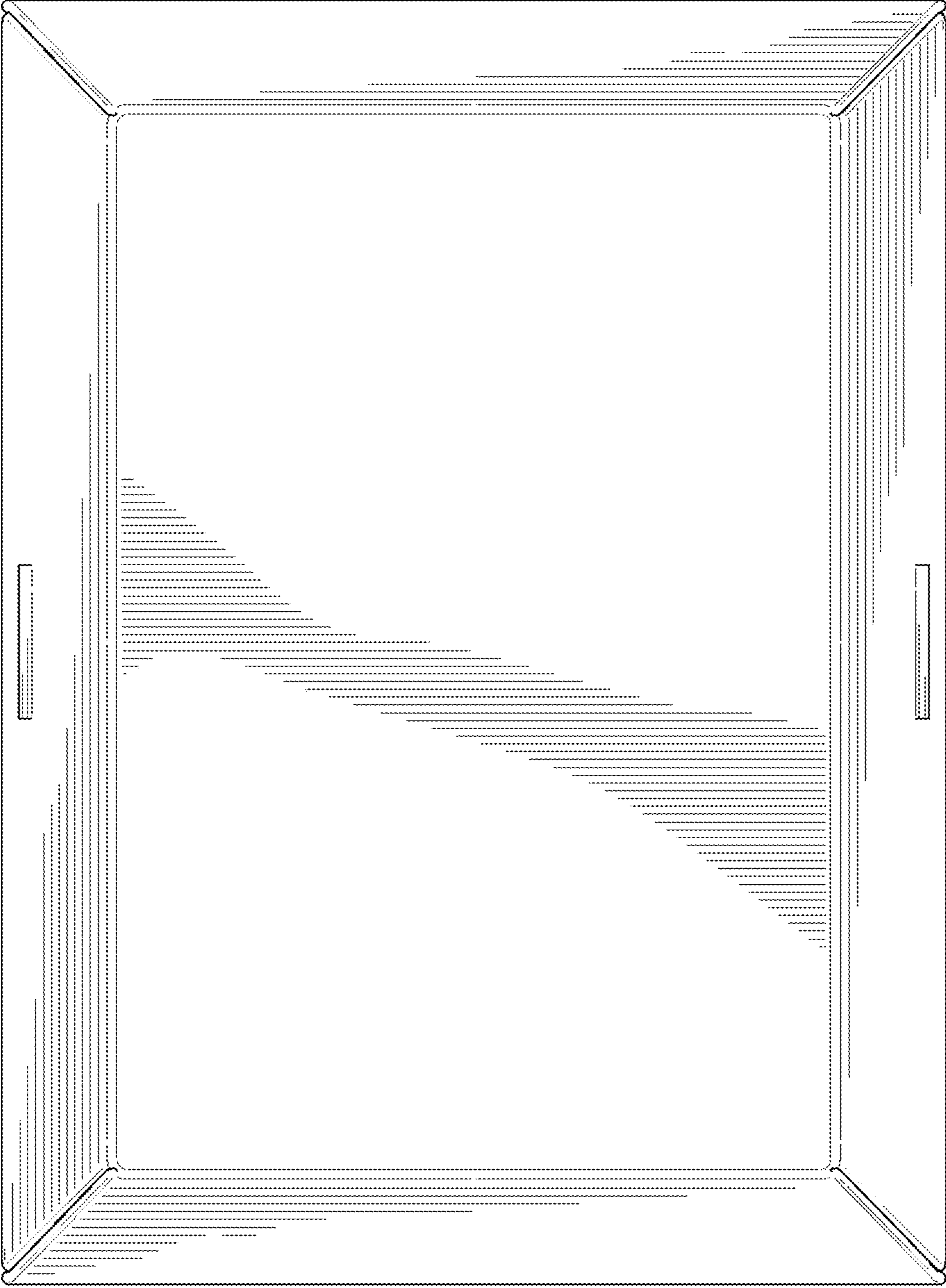


FIG. 10

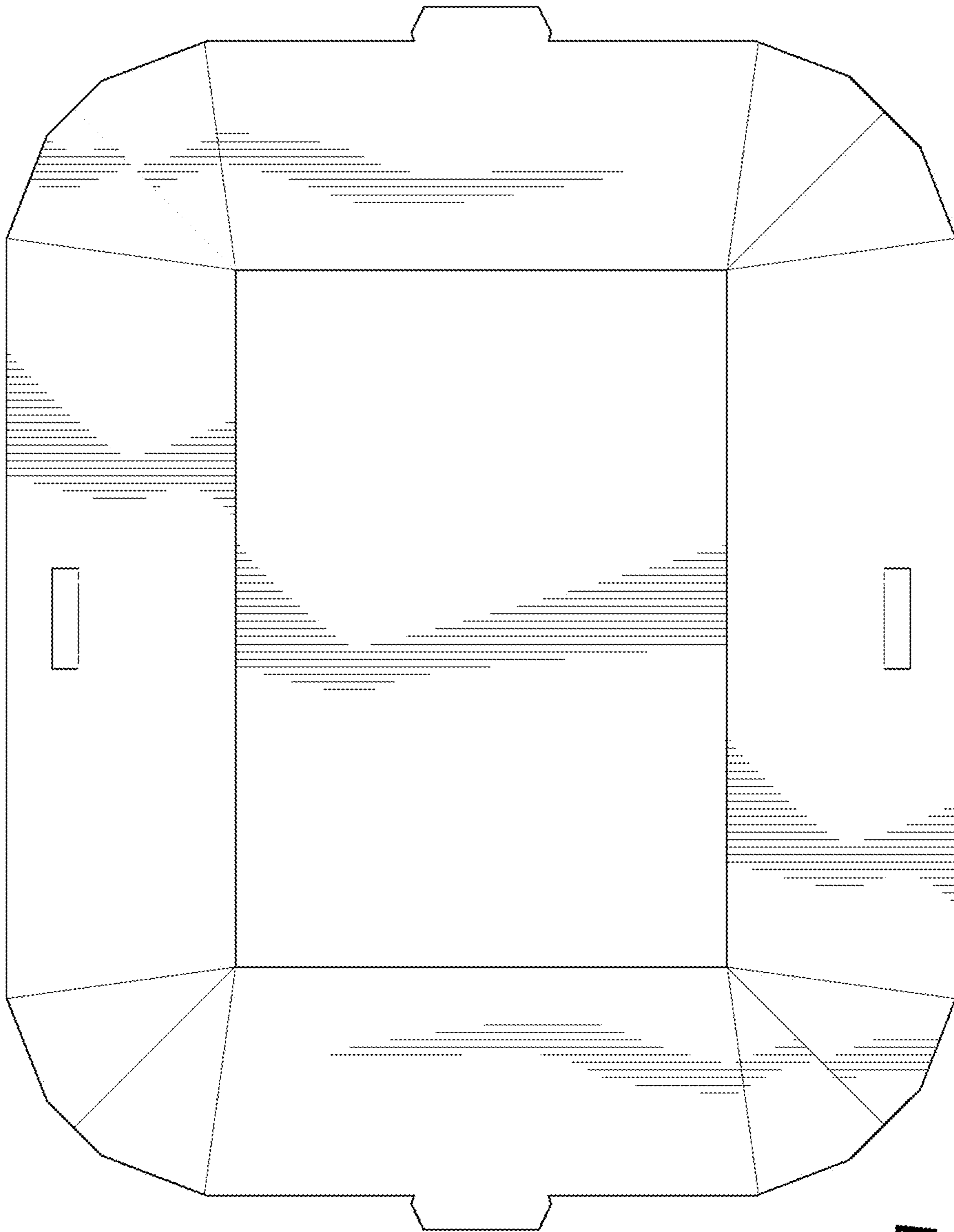


FIG. 11

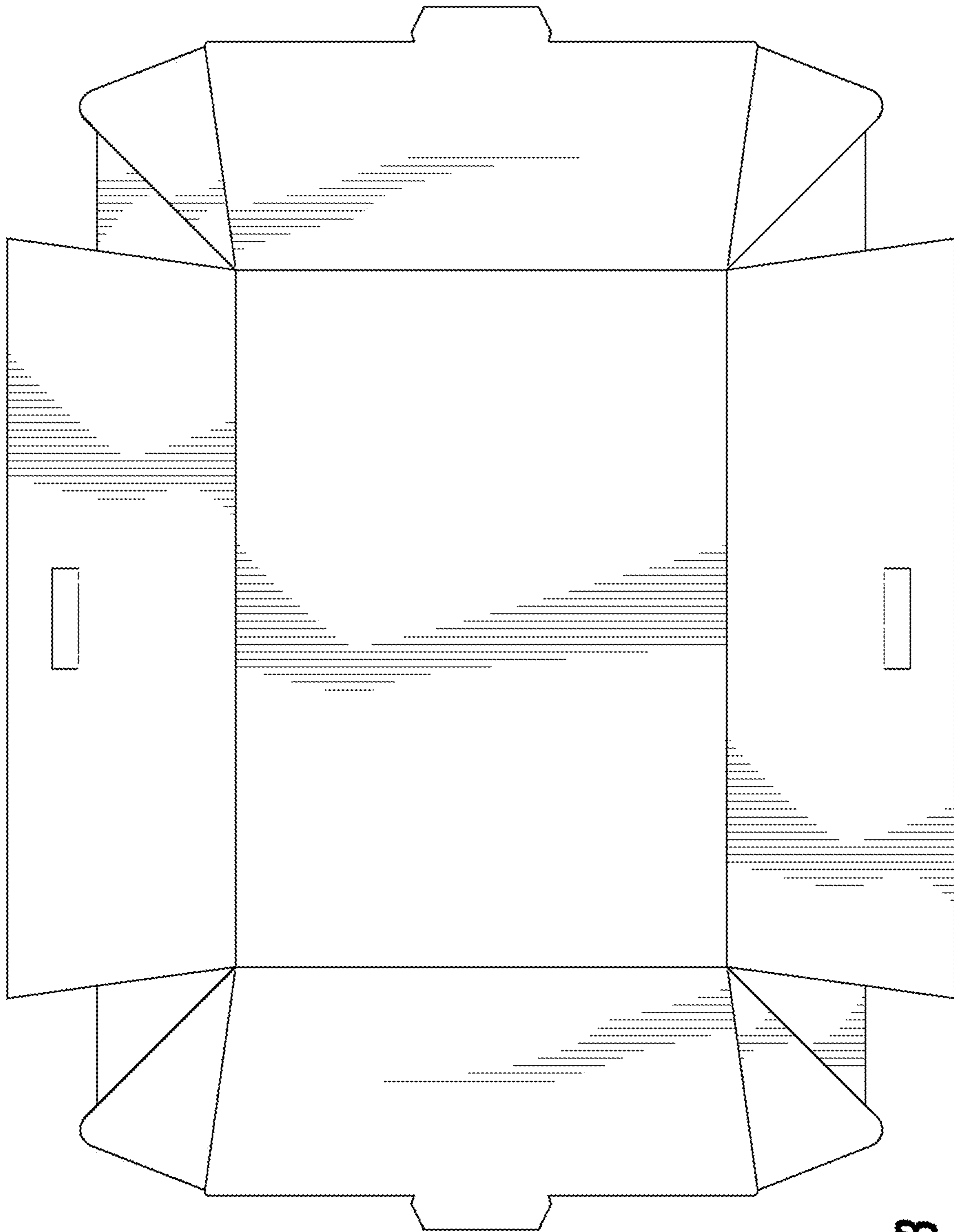


FIG. 13

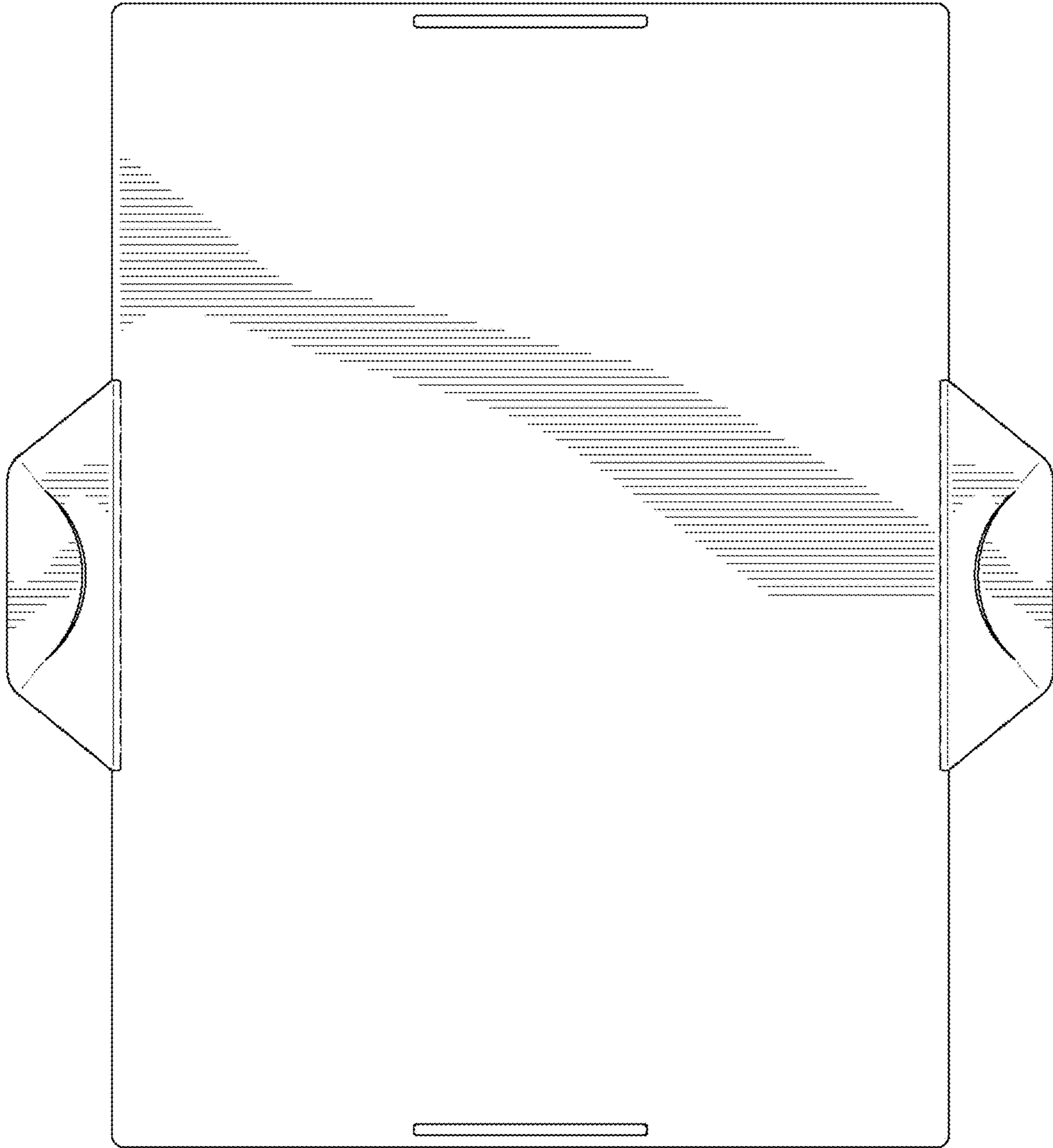


FIG. 14