



US00D955872S

(12) **United States Design Patent**  
**Martin et al.**

(10) **Patent No.:** **US D955,872 S**  
(45) **Date of Patent:** **\*\* Jun. 28, 2022**

(54) **PACKAGING**

(71) Applicant: **Medline Industries, LP**, Northfield, IL  
(US)

(72) Inventors: **Tambra Martin**, Trevor, WI (US);  
**Christopher J. Miller**, Chicago, IL  
(US)

(73) Assignee: **Medline Industries, LP**, Northfield, IL  
(US)

(\*\*) Term: **15 Years**

(21) Appl. No.: **29/724,021**

(22) Filed: **Feb. 12, 2020**

4,401,255 A	8/1983	Conroy	
D274,407 S	6/1984	Rosenburg, Jr.	
D337,047 S	7/1993	Pearce	
5,328,137 A	7/1994	Miller	
5,499,484 A	3/1996	Herrin	
D400,097 S	10/1998	Von Stein	
D405,369 S	2/1999	Dohner	
6,193,200 B1 *	2/2001	Kao	B65D 73/0014 206/349
D440,873 S	4/2001	Van Horn	
6,305,597 B1	10/2001	Donegan	
6,382,676 B1	5/2002	Cochran	
6,508,357 B1	1/2003	Faircloth	
6,612,059 B2	9/2003	Cochran	
7,219,829 B2	5/2007	Treat	

(Continued)

*Primary Examiner* — Clint A Samuel

(74) *Attorney, Agent, or Firm* — Fitch, Even, Tabin & Flannery LLP

**Related U.S. Application Data**

(63) Continuation of application No. 29/623,174, filed on Oct. 23, 2017, now Pat. No. Des. 877,610.

(51) **LOC (13) Cl.** ..... **09-03**

(52) **U.S. Cl.**  
USPC ..... **D9/415**

(58) **Field of Classification Search**  
USPC ..... D9/414, 415, 418, 430, 432, 457, 711,  
D9/718, 722, 739, 751  
CPC ..... B65D 75/00; B65D 75/02; B65D 75/06;  
B65D 75/18; B65D 75/20; B65D 75/56;  
B65D 75/563; B65D 75/566; B65D 5/00;  
B65D 5/02; B65D 5/06; B65D 5/18;  
B65D 5/20; B65D 5/4204; B65D 85/08  
See application file for complete search history.

(56) **References Cited**

**U.S. PATENT DOCUMENTS**

3,493,103 A *	2/1970	Cote	B65D 5/5009 206/418
3,884,350 A	5/1975	Johansson	

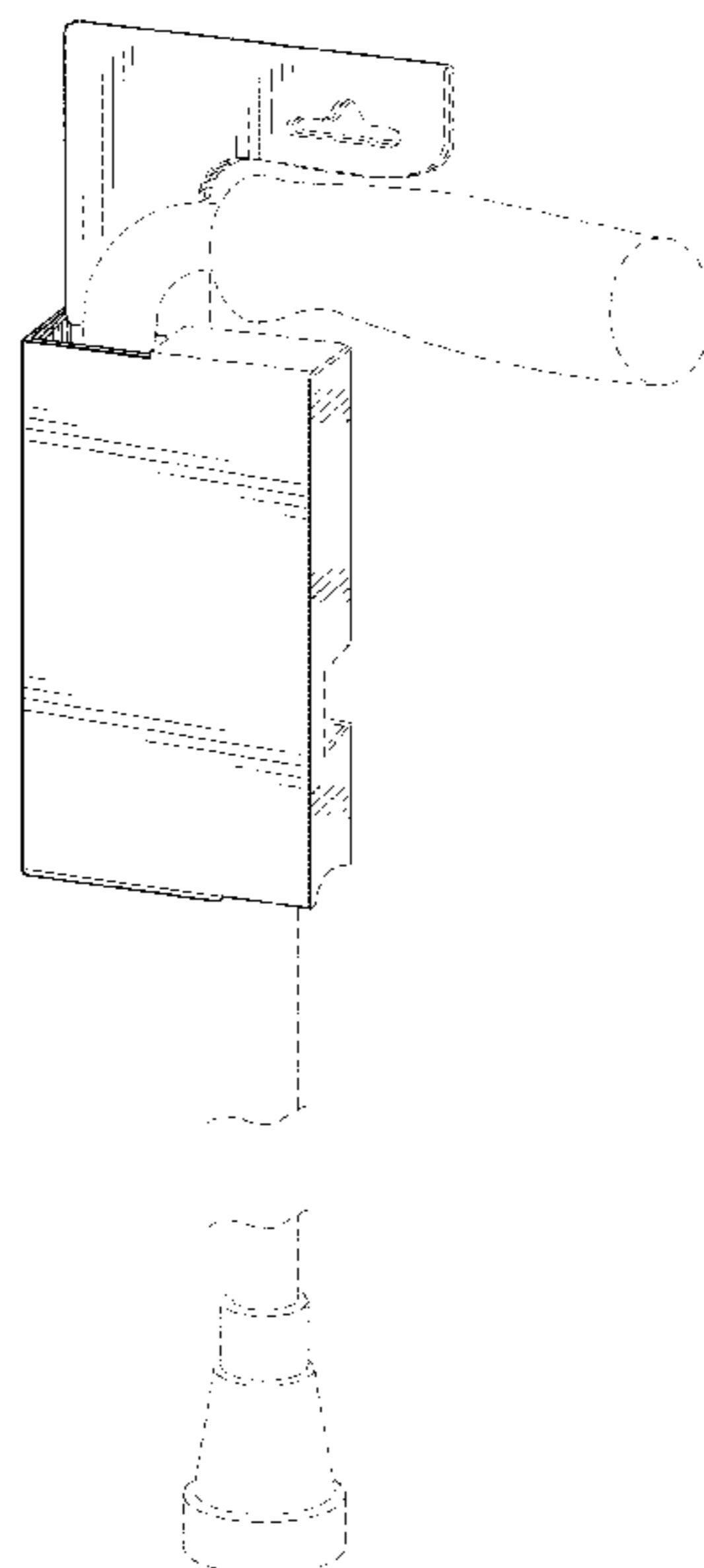
(57) **CLAIM**

The ornamental design for a packaging, as shown and described.

**DESCRIPTION**

FIG. 1 is a front, top perspective view of a packaging, showing our design;  
FIG. 2 is a front, top perspective view thereof without the environmental subject matter;  
FIG. 3 is a rear, top perspective view thereof;  
FIG. 4 is a front, bottom perspective view thereof;  
FIG. 5 is a rear elevation view thereof;  
FIG. 6 is a left side elevation view thereof;  
FIG. 7 is a front elevation view thereof;  
FIG. 8 is a right side elevation view thereof;  
FIG. 9 is a top plan view thereof; and,  
FIG. 10 is a bottom plan view thereof.  
The broken lines shown in the drawings are included for the purpose of illustrating portions and environmental elements of the packaging, and form no part of the claimed design.

**1 Claim, 7 Drawing Sheets**



(56)

**References Cited**

U.S. PATENT DOCUMENTS

D571,210	S	6/2008	Rozanski	
D607,725	S *	1/2010	Chen .....	D9/751
D681,444	S	5/2013	Oja	
D699,582	S	2/2014	Baum	
D736,098	S	8/2015	Burger	
D762,465	S	8/2016	Popper	
D763,675	S	8/2016	McDonald	
D767,385	S	9/2016	McDonald	
D825,324	S	8/2018	Cavalcante	
D832,097	S	10/2018	Lee	
D833,860	S	11/2018	Lee	
10,292,515	B2	5/2019	Peterson	
D854,615	S *	7/2019	Hamilton .....	D19/10
D862,243	S *	10/2019	Cavalcante .....	D9/679
D877,610	S *	3/2020	Martin .....	D9/415
D909,198	S *	2/2021	Baker .....	D9/430
D909,199	S *	2/2021	Baker .....	D9/430
D910,446	S *	2/2021	Trejo .....	D9/457
D924,048	S *	7/2021	White .....	D9/415
2012/0091074	A1 *	4/2012	Chang .....	B65D 73/0014 211/4
2013/0277272	A1	10/2013	Oja	
2016/0262592	A1	9/2016	Mongeon	
2019/0092544	A1	3/2019	Martin	
2021/0261315	A1 *	8/2021	Stewart .....	B65D 75/326

\* cited by examiner

FIG. 1

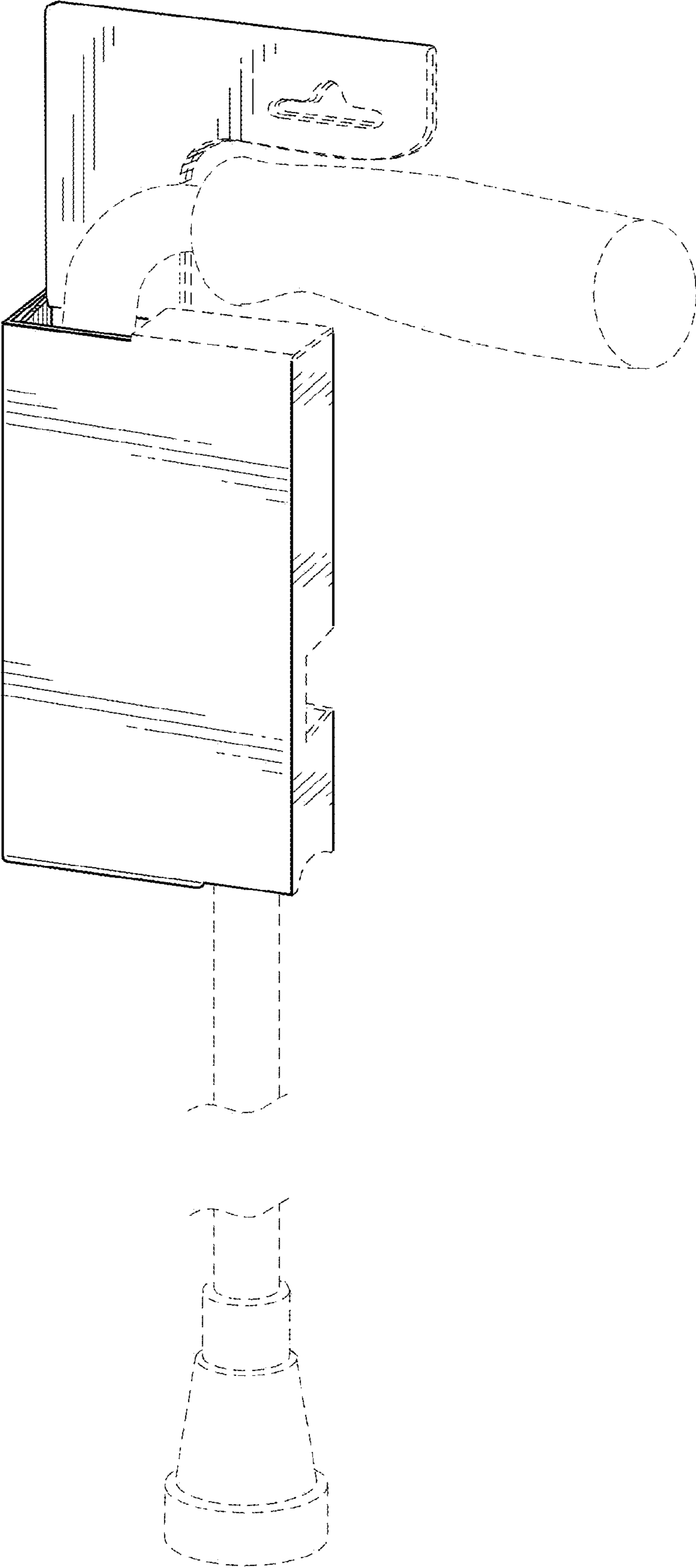


FIG. 2

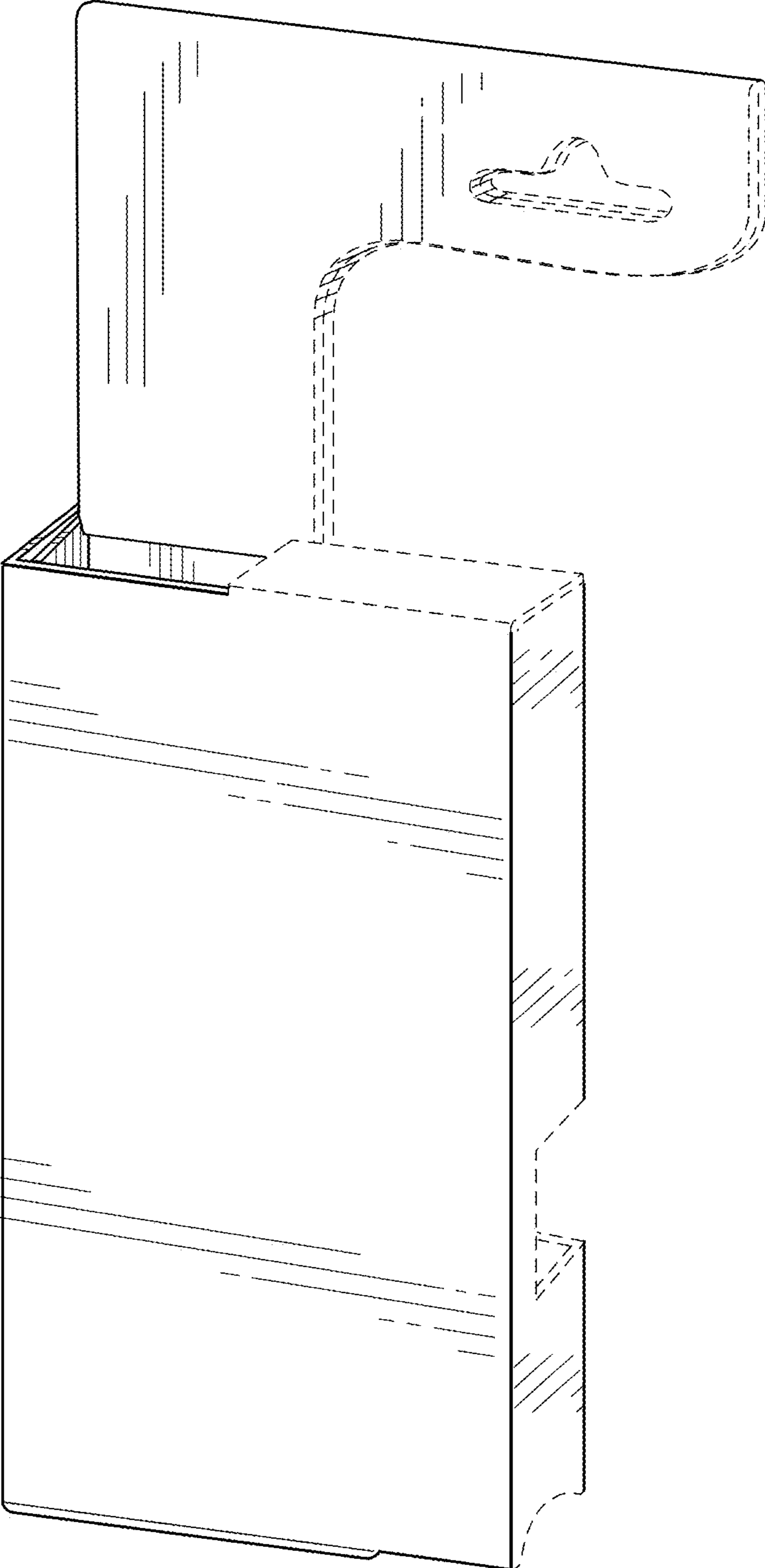


FIG. 3

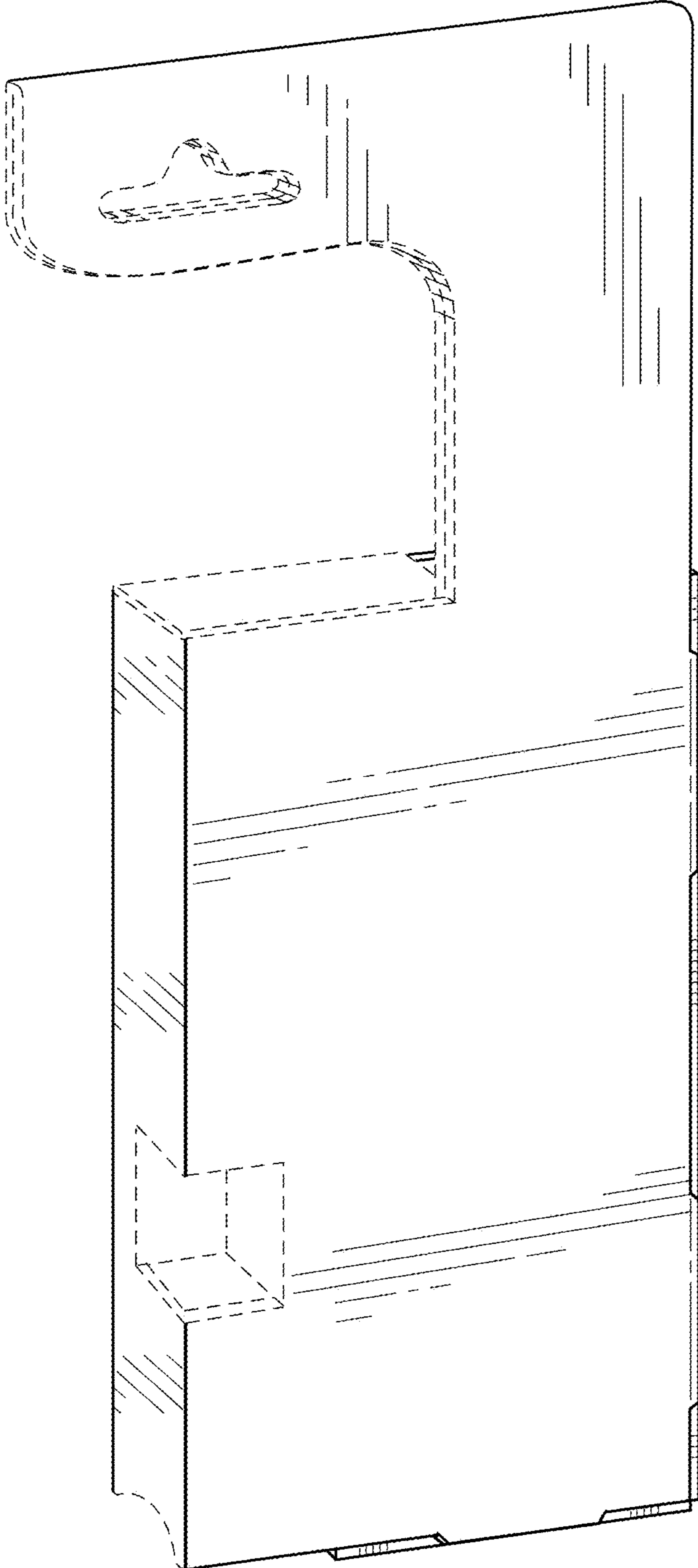


FIG. 4

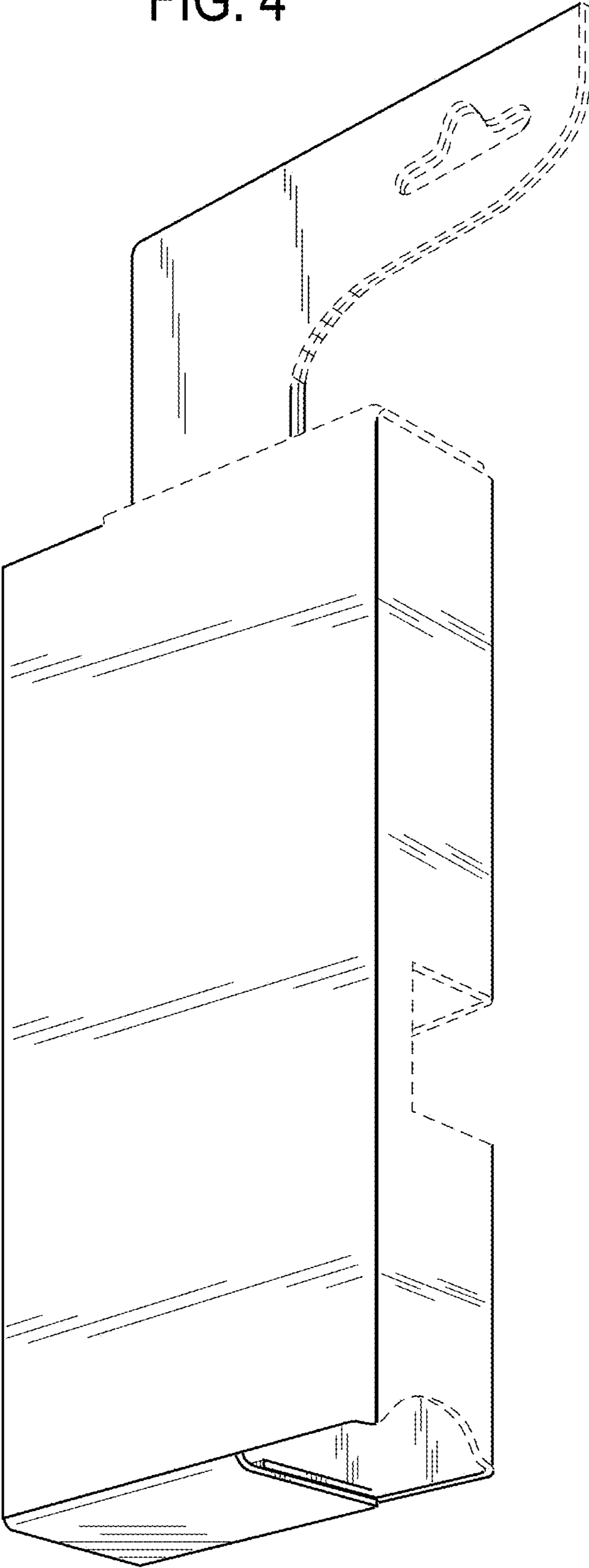


FIG. 5

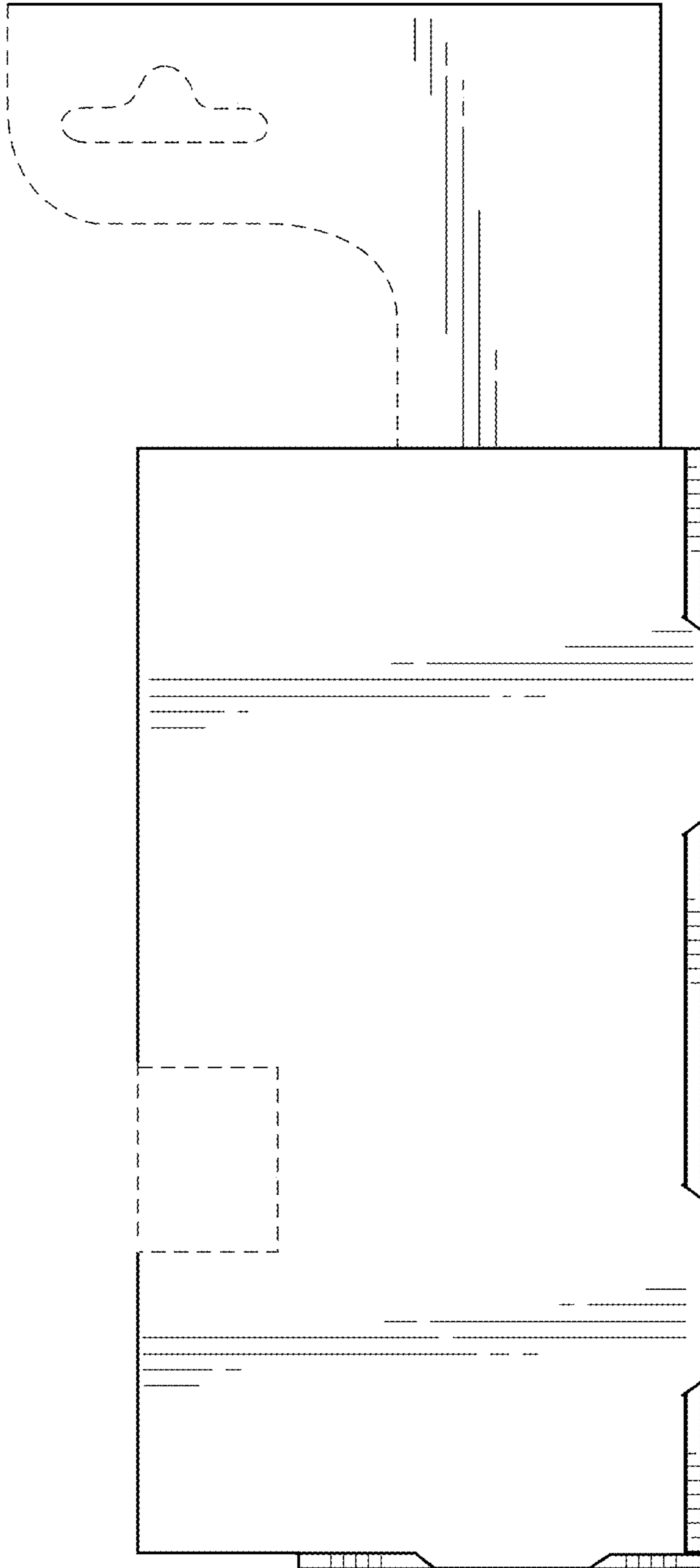


FIG. 6

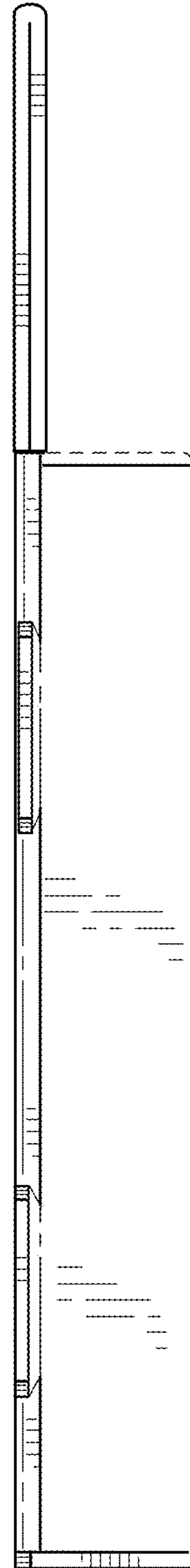


FIG. 7

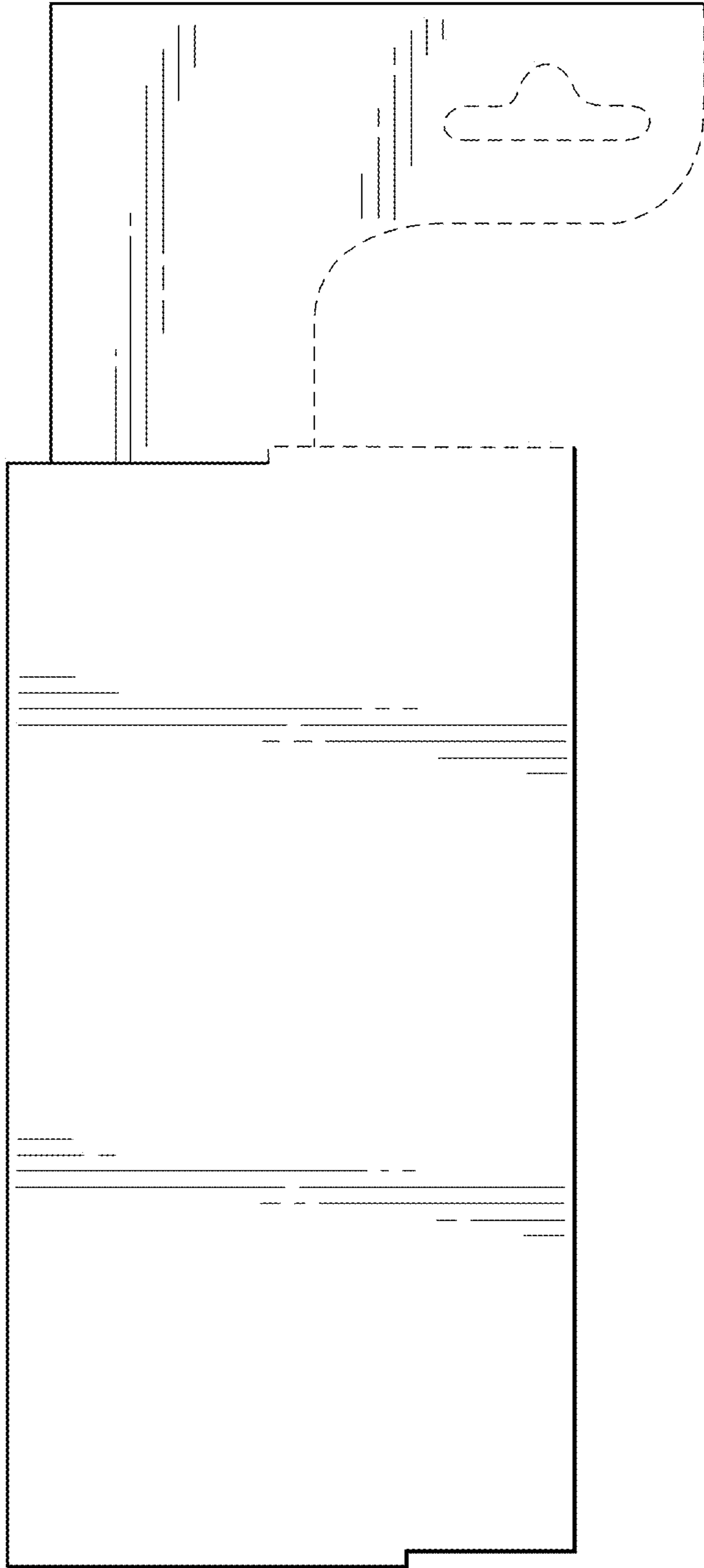


FIG. 8

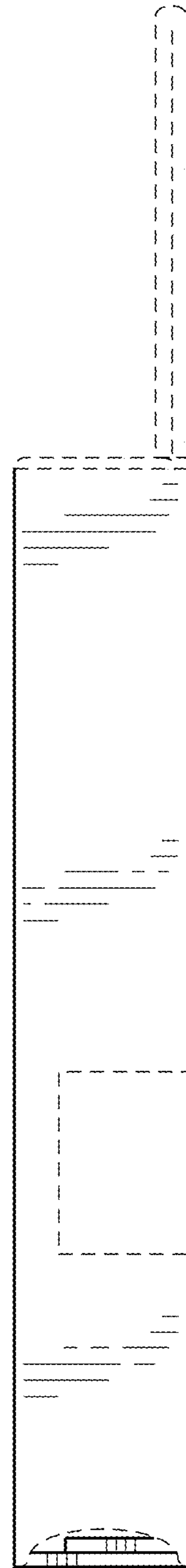




FIG. 9

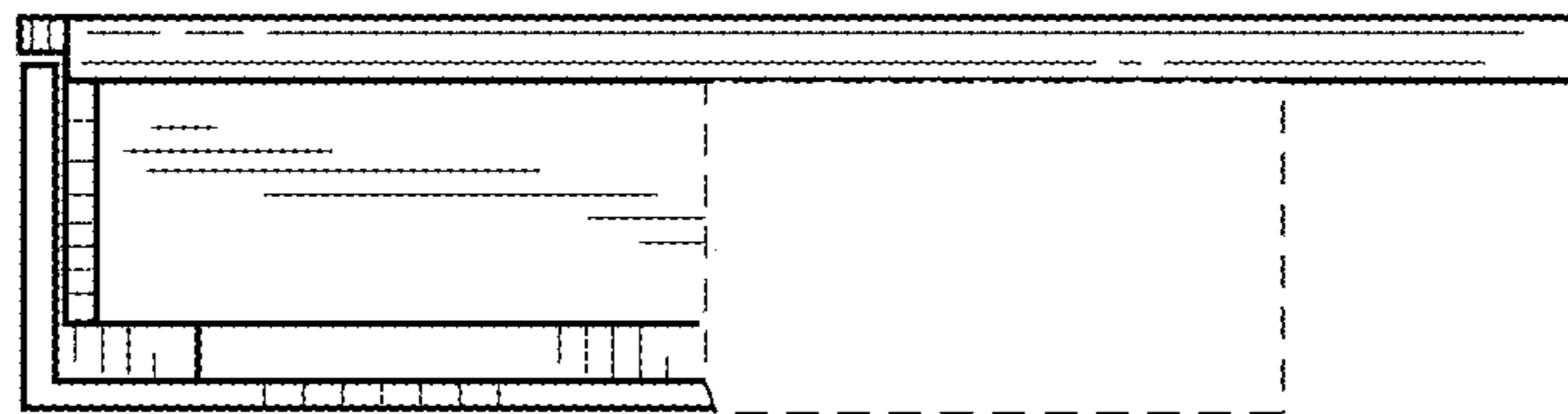


FIG. 10

