



US00D955871S

(12) **United States Design Patent**
Blay et al.

(10) **Patent No.:** **US D955,871 S**

(45) **Date of Patent:** **** Jun. 28, 2022**

(54) **PACKAGING FOR IMPLANTABLE ITEMS**

(71) Applicant: **M3 Health Indústria E Comércio De Produtos Médicos, Odontológicos E Correlatos S.A.**, Jundia (BR)

(72) Inventors: **Alberto Blay**, São Paulo (BR); **Jamil Awad Shibli**, Guarulhos (BR); **Samy Tunchel**, São Paulo (BR)

(73) Assignee: **M3 HEALTH INDÚSTRIA E COMÉRCIO DE PRODUTOS MÉDICOS, ODONTOLÓGICOS E CORRELATOS S.A.**, SP (BR)

(**) Term: **15 Years**

(21) Appl. No.: **29/746,222**

(22) Filed: **Aug. 12, 2020**

Related U.S. Application Data

(62) Division of application No. 29/639,728, filed on Mar. 8, 2018, now Pat. No. Des. 896,065.

(30) **Foreign Application Priority Data**

Sep. 8, 2017 (BR) 302017003890-5
Sep. 8, 2017 (BR) 302017003891-3

(51) **LOC (13) Cl.** **09-03**

(52) **U.S. Cl.**
USPC **D9/414**

(58) **Field of Classification Search**
USPC D9/414, 423, 428, 432, 444, 445, 454, D9/648, 692, 711, 737, 739, 743, 759; D27/103, 111, 129, 138, 172, 186; D28/4, 5, 78, 82, 83; D3/203.1, 203.5, D3/212, 219; D24/216, 227, 229, 230

CPC B65D 5/00; B65D 5/6688; B65D 85/00; B65D 85/08; B65D 85/10; B65D 9/00; A61B 50/00; A61B 50/20; A61B 50/30; A61B 2050/005; A45C 2011/007; A45C 11/00; A45C 11/04; A45C 11/36
See application file for complete search history.

(56) **References Cited**

U.S. PATENT DOCUMENTS

D467,497 S *	12/2002	Liu	D9/429
D470,768 S *	2/2003	Melhede	D9/428
D479,366 S *	9/2003	Goswell	D28/82
D560,488 S *	1/2008	Rust	D9/414
D656,029 S *	3/2012	Nagata	D9/529
D663,113 S *	7/2012	Simms	D3/203.3
D683,498 S *	5/2013	Ghiotti	D27/186
D711,250 S *	8/2014	Henriksson	D9/669
D727,140 S *	4/2015	Lehaneur	D9/414
D773,302 S *	12/2016	Henriksson	D9/504
D790,334 S *	6/2017	Pan	D9/423

(Continued)

Primary Examiner — Clint A Samuel

(74) *Attorney, Agent, or Firm* — B. Aaron Schulman, Esq.; Stites & Harbison, PLLC

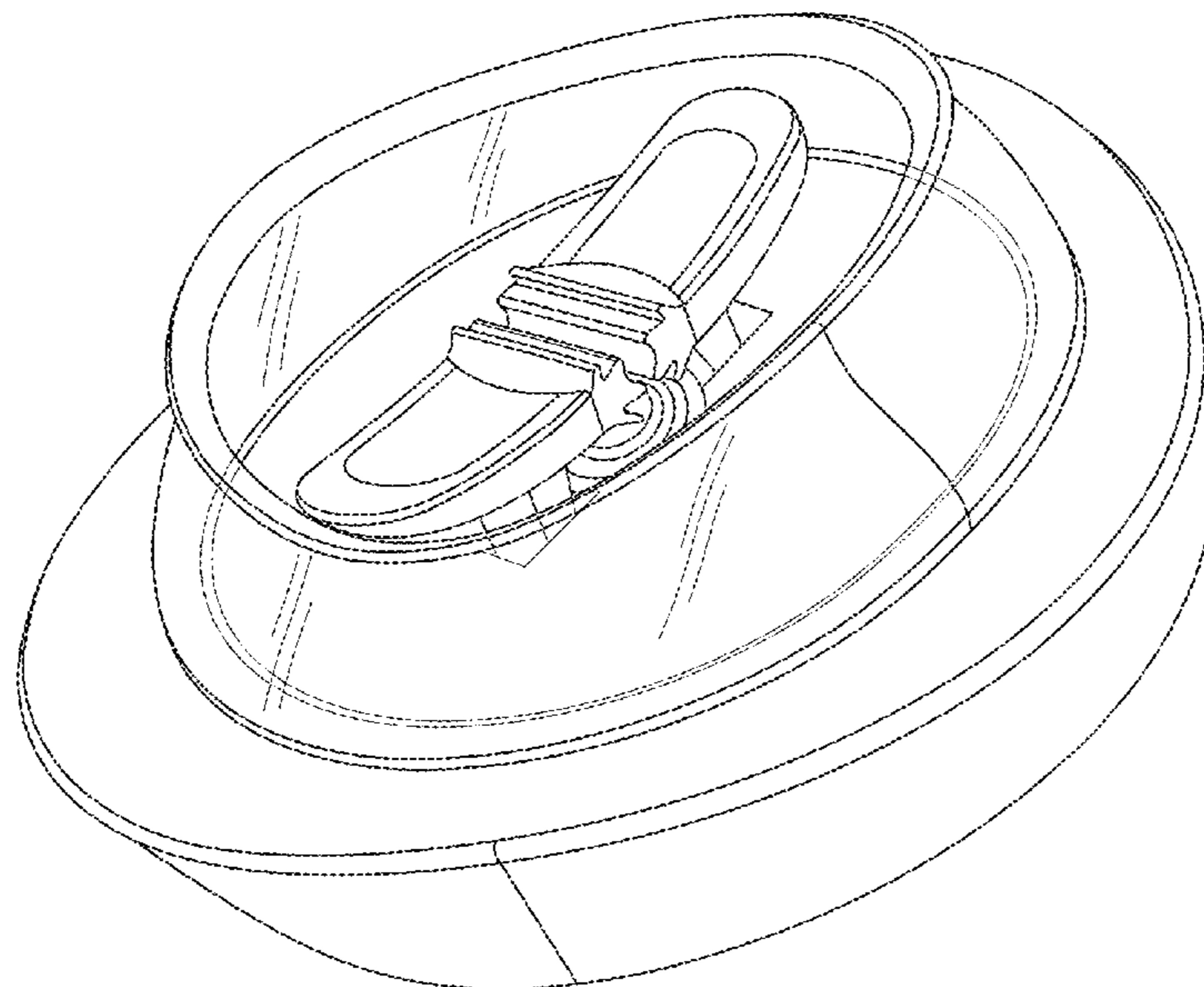
(57) **CLAIM**

We claim the ornamental design for a packaging for implantable items, as shown and described.

DESCRIPTION

FIG. 1 is a perspective view showing the new design for the packaging for implantable items;
FIG. 2 is a top view thereof;
FIG. 3 is a bottom view thereof;
FIG. 4 is a front view thereof;
FIG. 5 is a back view thereof;
FIG. 6 is a left side view thereof; and,
FIG. 7 is a right side view thereof.
The broken lines are included for the purpose of illustrating portions of the packaging for implantable items that form no part of the claimed design.

1 Claim, 5 Drawing Sheets



(56)

References Cited

U.S. PATENT DOCUMENTS

D812,462 S * 3/2018 Xu D9/420
10,159,324 B2 * 12/2018 Dinata A45D 33/006
D838,174 S * 1/2019 Cho D9/500
D845,612 S * 4/2019 Amitai D3/203.1
D851,035 S * 6/2019 Hong D13/108
D893,167 S * 8/2020 Edmunds D3/203.5
D896,065 S * 9/2020 Blay D9/414
D918,040 S * 5/2021 Blomberg D9/504
D920,775 S * 6/2021 Hawry D9/414
D923,241 S * 6/2021 Markovic D27/172
D923,877 S * 6/2021 Hasegawa D28/82
D933,300 S * 10/2021 Lee D28/82
D933,301 S * 10/2021 Lee D28/82
D936,903 S * 11/2021 Matsuishi D28/82
2019/0174898 A1 * 6/2019 Lu A45D 40/0075

* cited by examiner

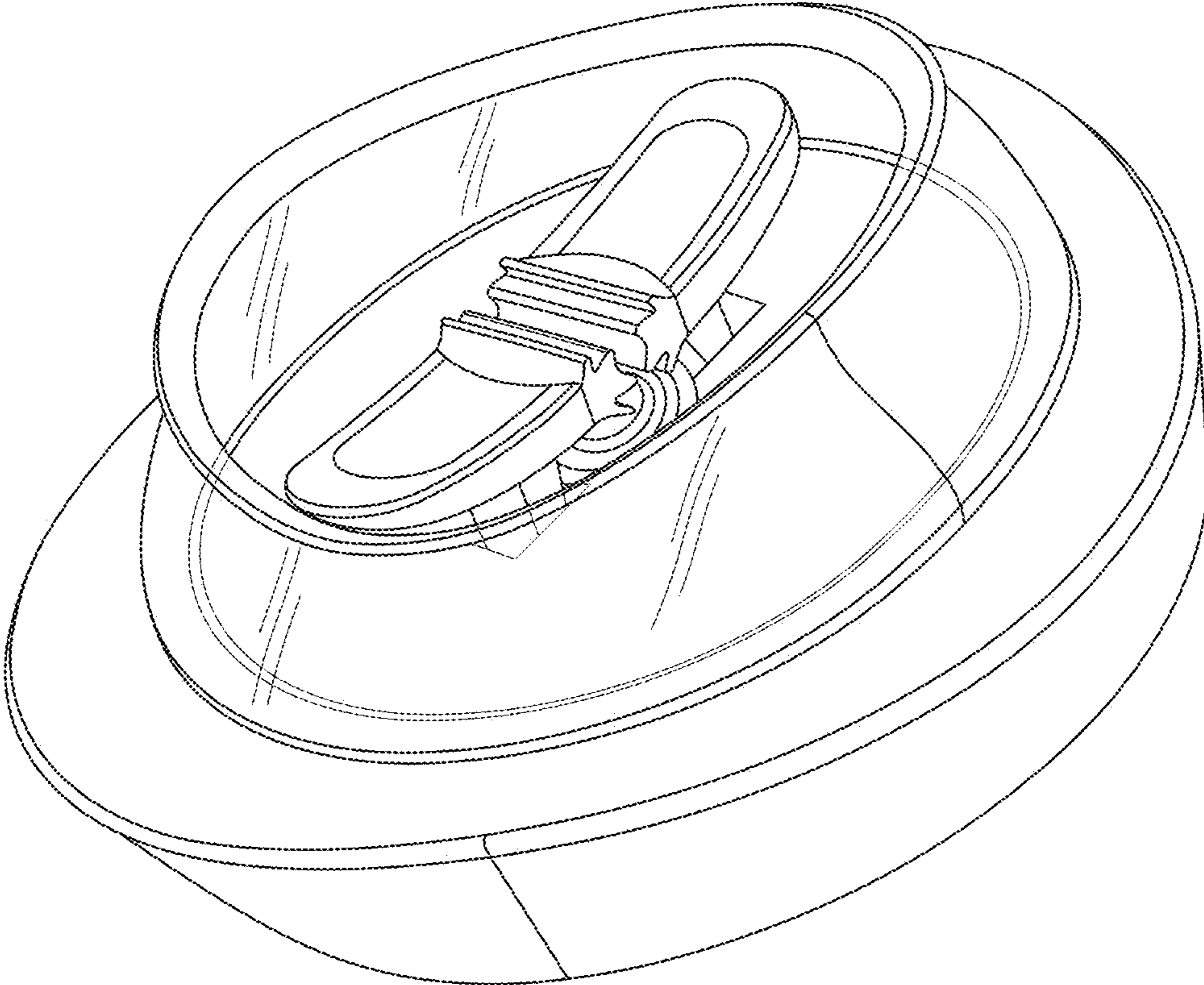


FIG. 1

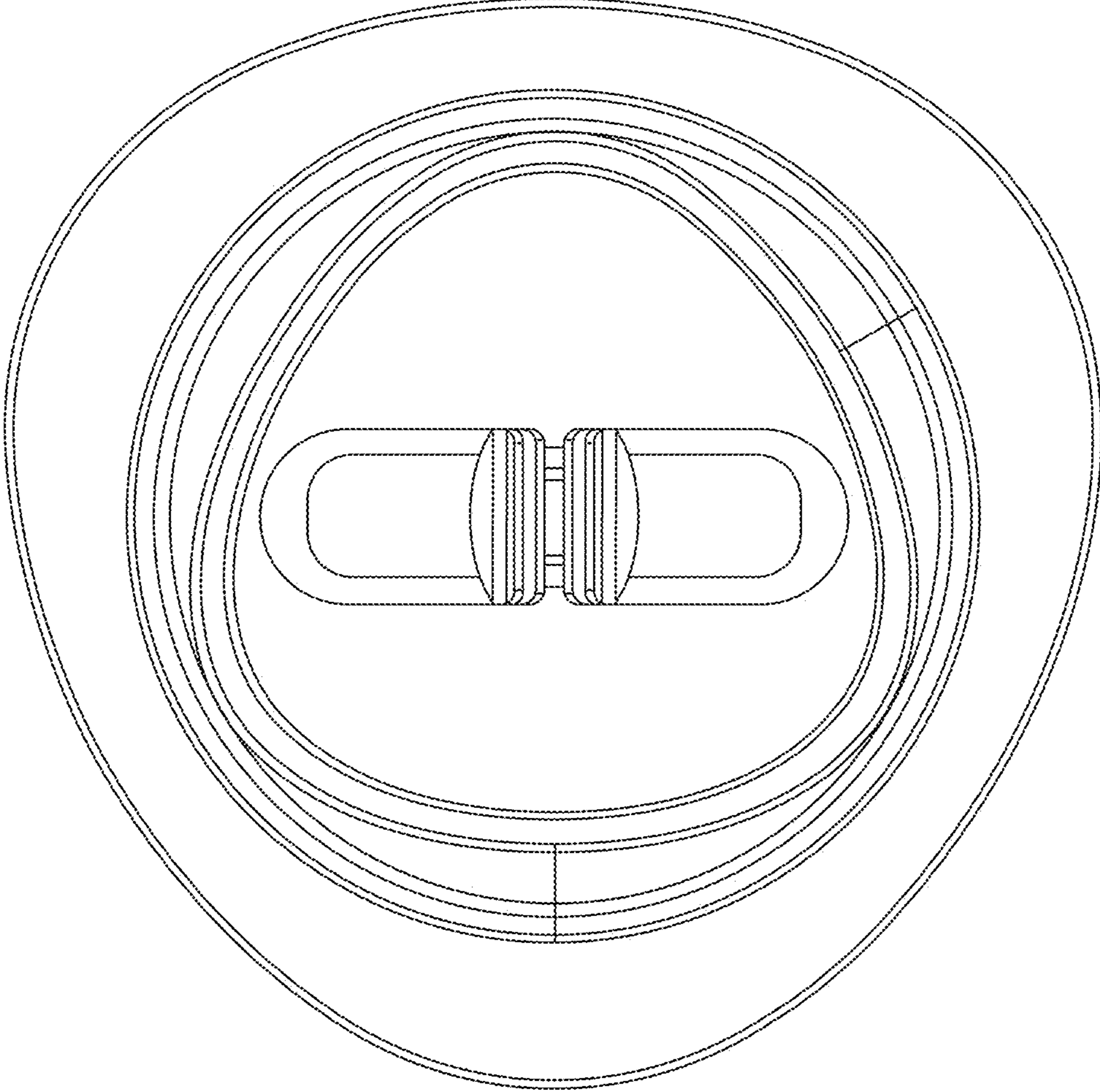


FIG. 2

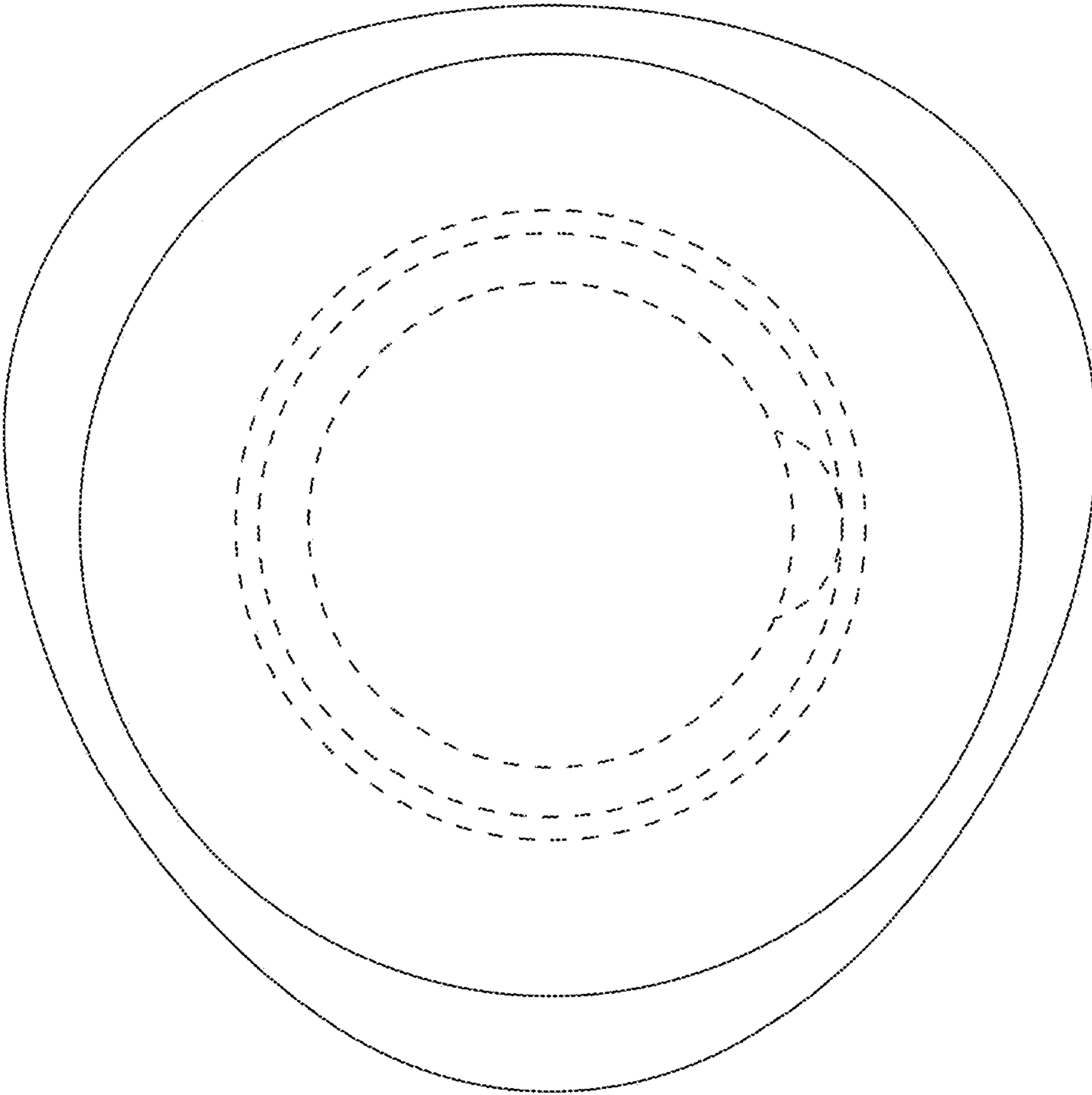


FIG. 3

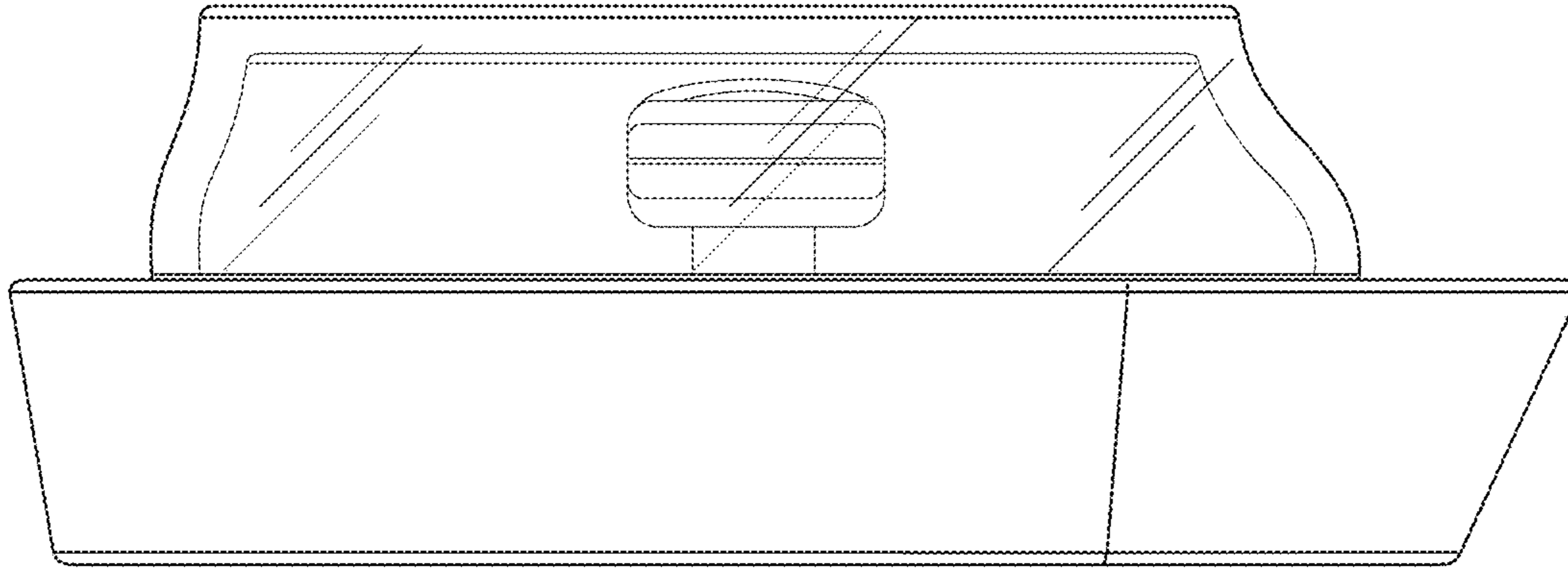


FIG. 4

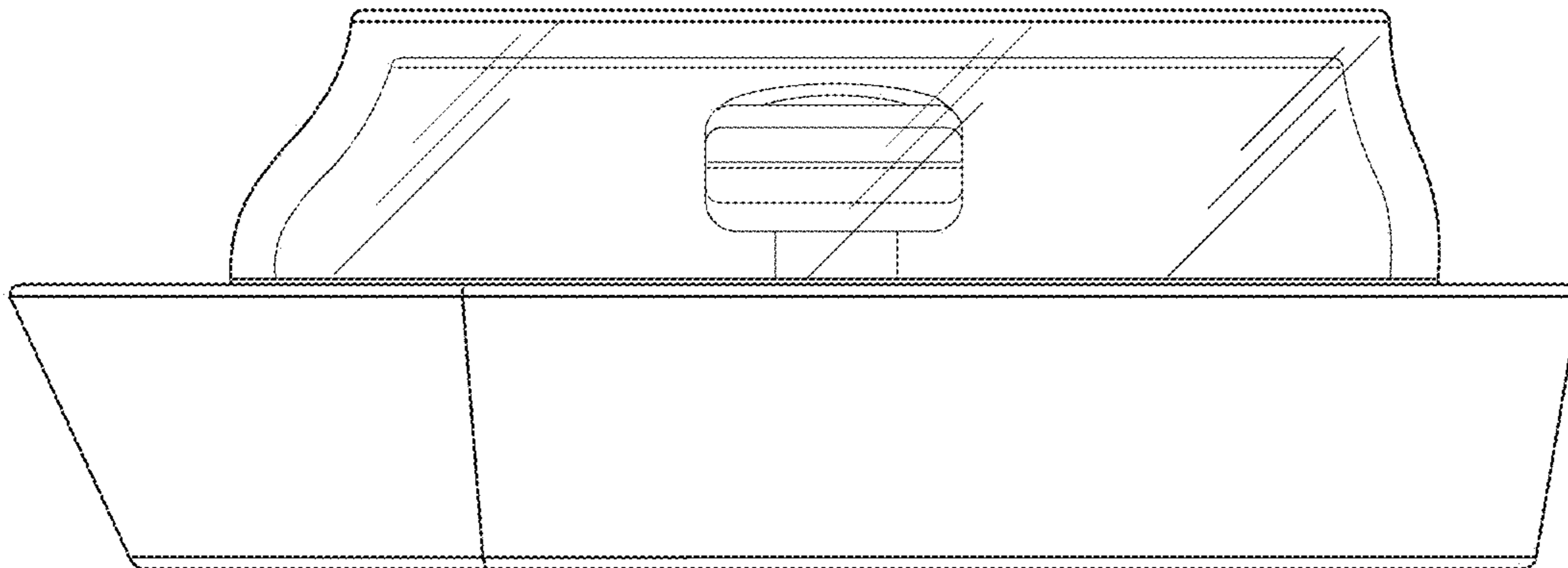


FIG. 5

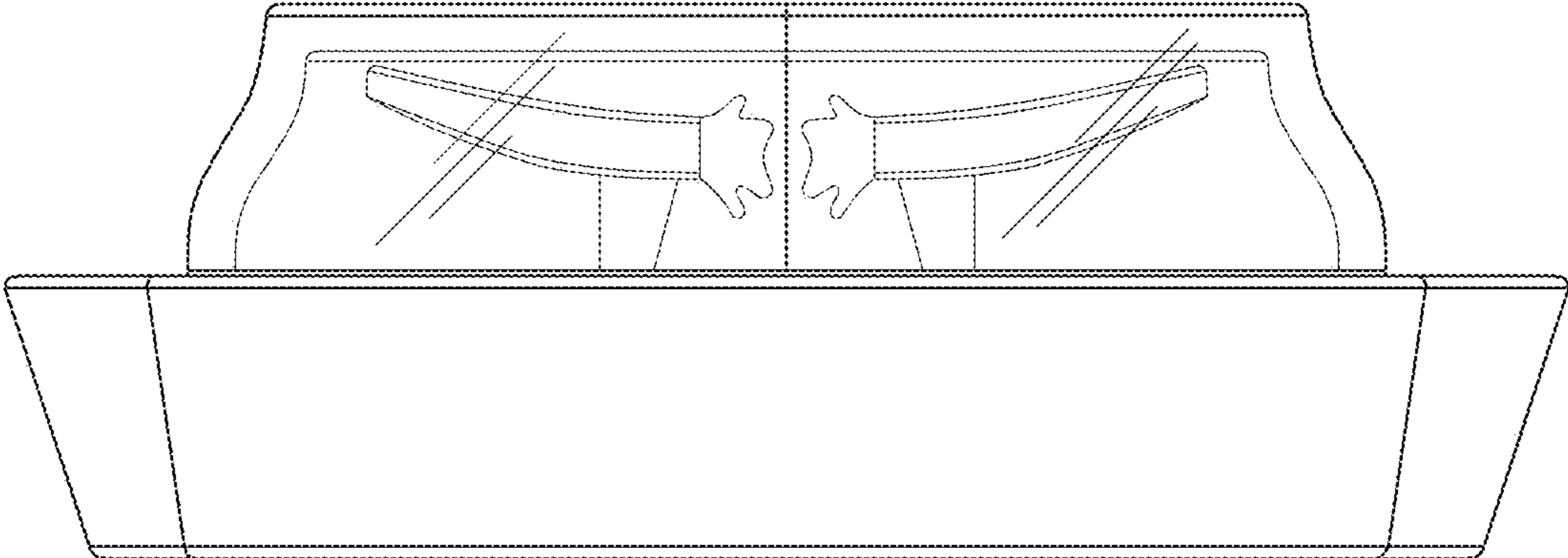


FIG. 6

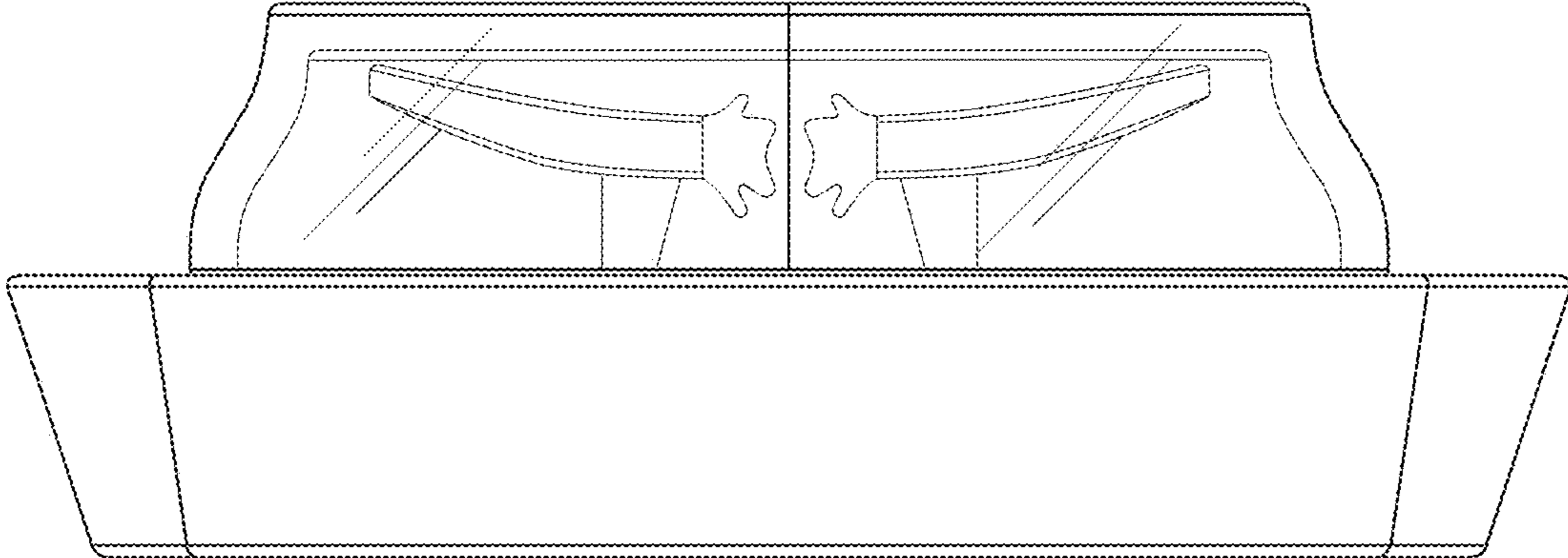


FIG. 7