



US00D955868S

(12) **United States Design Patent** (10) **Patent No.:** **US D955,868 S**
Carroll et al. (45) **Date of Patent:** **** Jun. 28, 2022**

(54) **STRUCTURAL GUTTER**
(71) Applicant: **Datum Holdings, LLC**, West Palm Beach, FL (US)
(72) Inventors: **Matthew R. Carroll**, Jupiter, FL (US); **Chad N. Zimmerman**, Vero Beach, FL (US)
(73) Assignee: **Datum Holdings, LLC**, West Palm Beach, FL (US)
(**) Term: **15 Years**
(21) Appl. No.: **29/672,959**
(22) Filed: **Dec. 11, 2018**
(51) **LOC (13) Cl.** **08-08**
(52) **U.S. Cl.**
USPC **D8/394**; D8/395
(58) **Field of Classification Search**
USPC D8/356, 371, 394-396
CPC . E04B 9/067; E04B 9/068; E04B 9/12; E04B 9/18; E04B 9/30; E04B 2009/062; E04C 2003/0413; E04C 2003/0439; E04C 2003/046
See application file for complete search history.

(56) **References Cited**

U.S. PATENT DOCUMENTS

D192,231 S * 2/1962 Jahn D8/384
4,666,116 A * 5/1987 Lloyd F16B 2/065
248/228.6
D333,255 S * 2/1993 Newcomer D8/356
D341,078 S * 11/1993 Saavedra D8/395
D366,207 S * 1/1996 Thompson D20/43
D494,047 S * 8/2004 Klein D8/371
D494,050 S * 8/2004 Klein D6/513
D513,171 S * 12/2005 Richardson D25/133
D529,630 S * 10/2006 Zarb D25/119
D556,014 S * 11/2007 Wurdack D8/349

D612,919 S * 3/2010 DeHart, Sr. D23/267
D680,857 S * 4/2013 Rumpel D8/395
D742,546 S * 11/2015 Singh D25/119
D768,877 S * 10/2016 Mumford, Sr. D25/119
D793,215 S * 8/2017 Gallion D8/394
D793,540 S * 8/2017 Adams D23/267
D799,314 S * 10/2017 Adams, IV D8/395
D803,995 S * 11/2017 Adams D23/267
D859,611 S * 9/2019 Gori D23/267
D861,471 S * 10/2019 Ild D8/394
D876,942 S * 3/2020 Kuhl F16B 7/22
D877,601 S * 3/2020 White D8/380
D895,155 S * 9/2020 Johnson D25/119
D898,168 S * 10/2020 Wagaman D23/267
D911,159 S * 2/2021 Black D8/394
D934,063 S * 10/2021 Buczynski D8/394
2013/0233500 A1 * 9/2013 Chen E06B 9/327
160/370

(Continued)

FOREIGN PATENT DOCUMENTS

JP D1255911 * 11/2005

Primary Examiner — Leanne Was-Englehart
(74) *Attorney, Agent, or Firm* — McHale & Slavin, P.A.

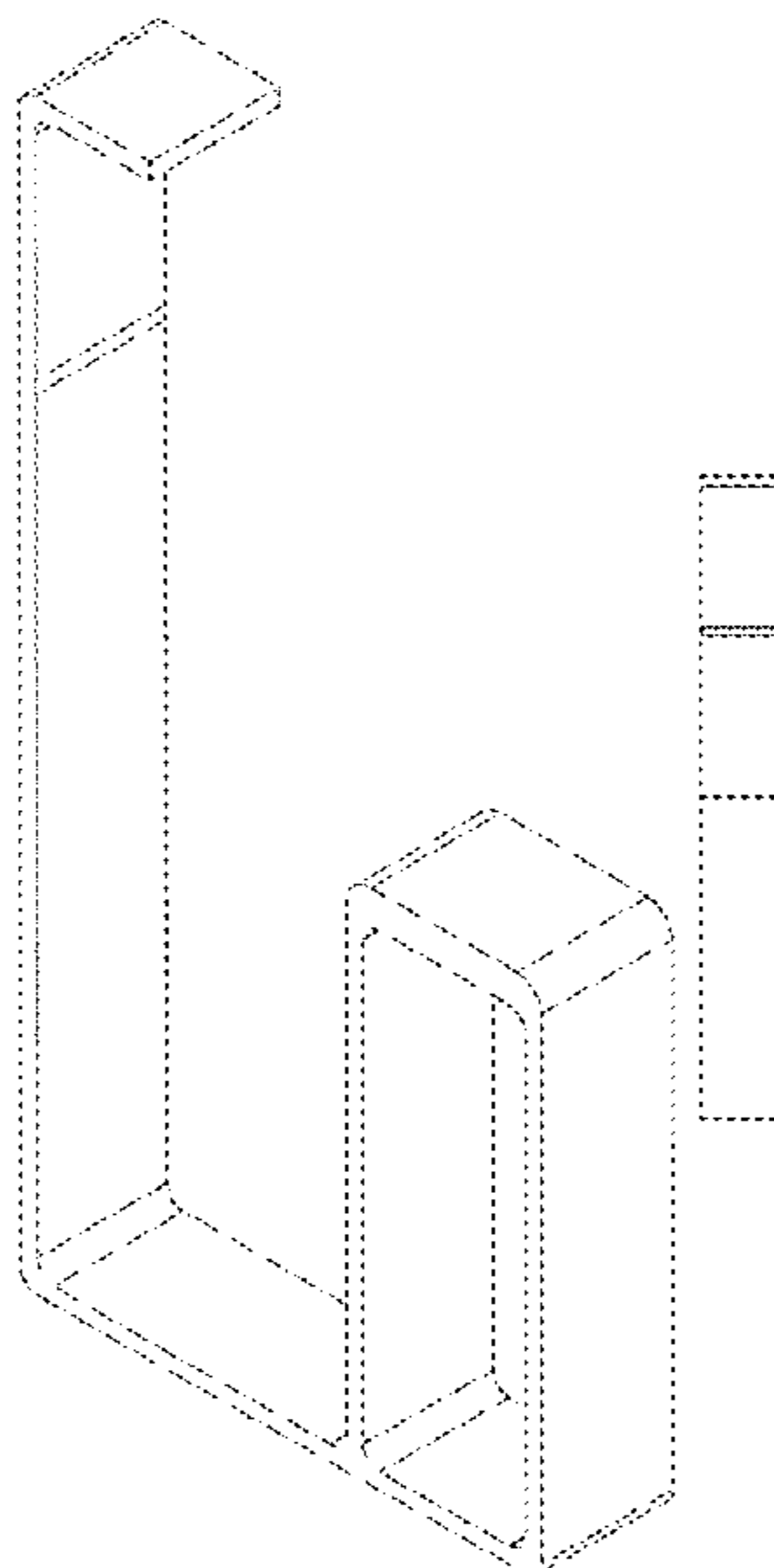
(57) **CLAIM**

The ornamental design for a structural gutter, as shown and described.

DESCRIPTION

FIG. 1 is a perspective of a structural gutter of the present invention;
FIG. 2 is a left side view thereof;
FIG. 3 is a right side view thereof;
FIG. 4 is a front view thereof;
FIG. 5 is a back view thereof;
FIG. 6 is a bottom thereof; and,
FIG. 7 is a top view thereof.

1 Claim, 2 Drawing Sheets



(56)

References Cited

U.S. PATENT DOCUMENTS

2014/0311072 A1* 10/2014 Anderson E04F 13/0864
52/309.4
2016/0168869 A1* 6/2016 Curtis E04F 19/024
52/716.2

* cited by examiner

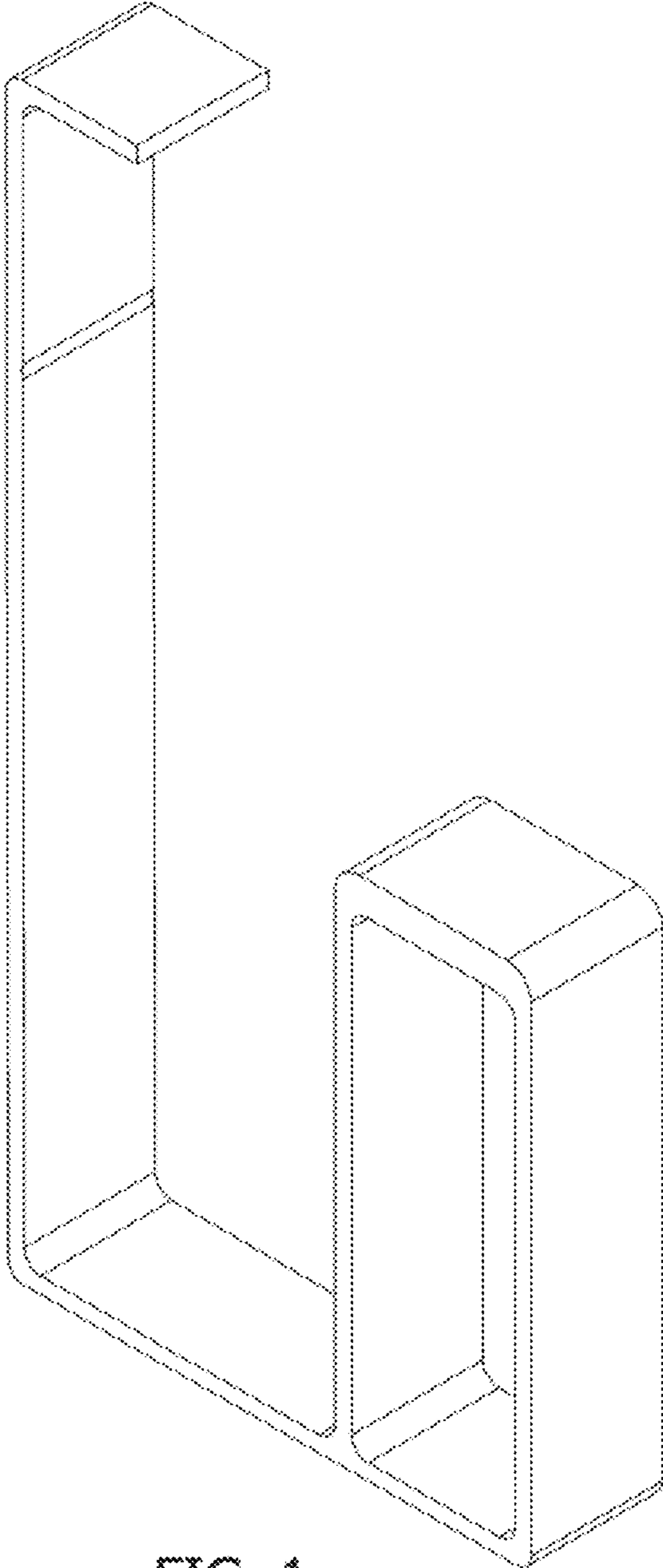


FIG. 1

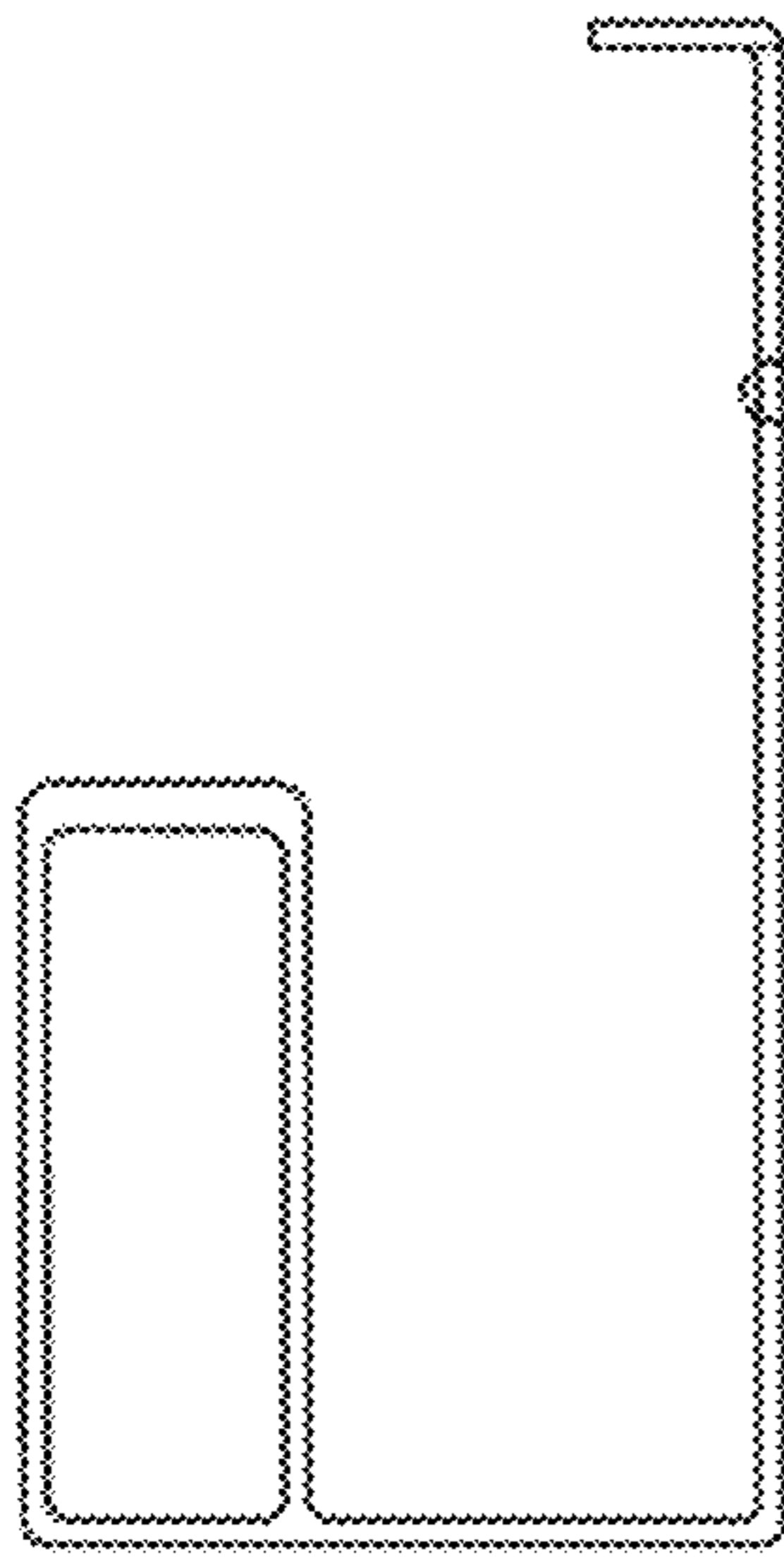


FIG. 2

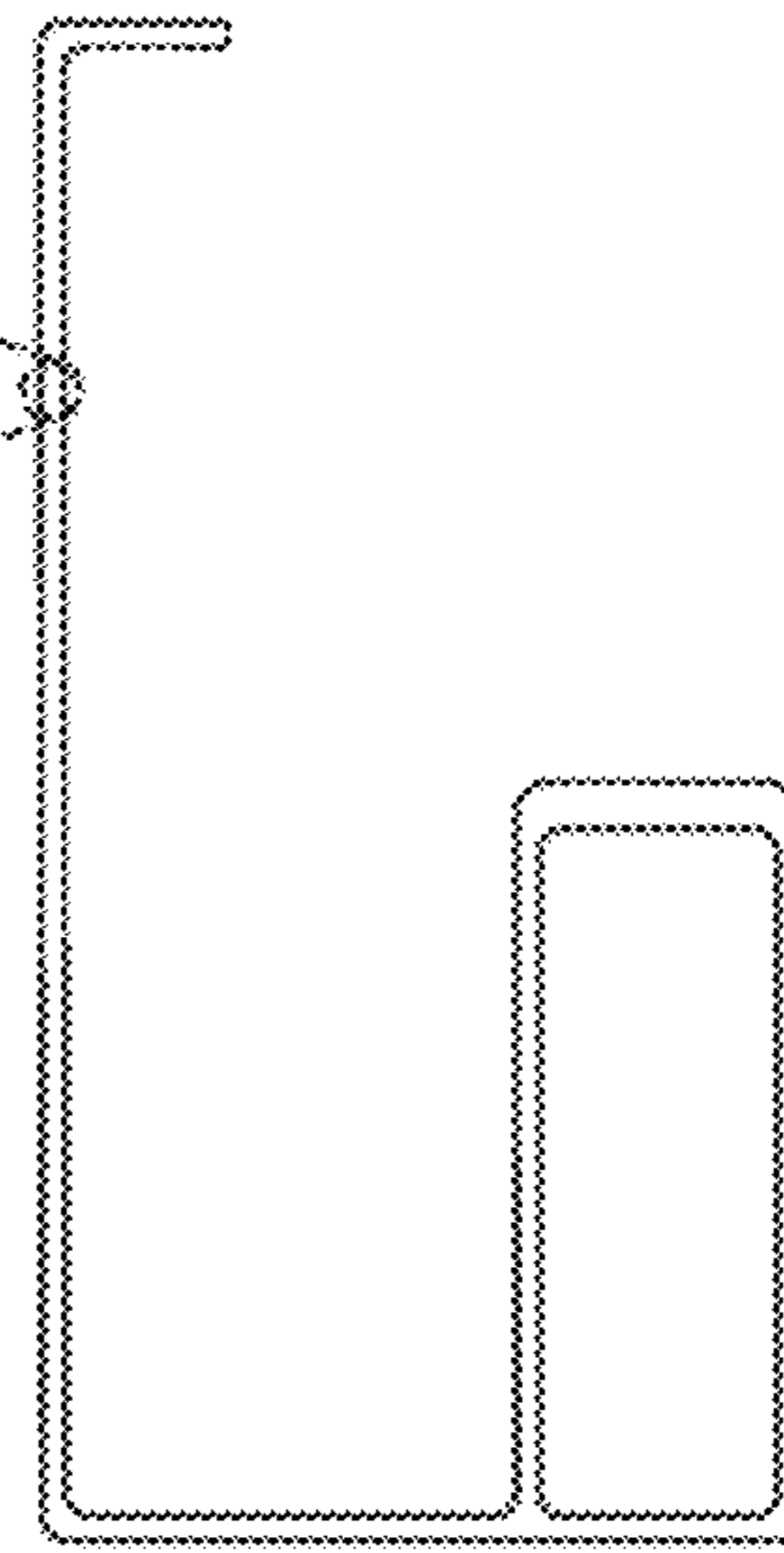


FIG. 3



FIG. 4



FIG. 5

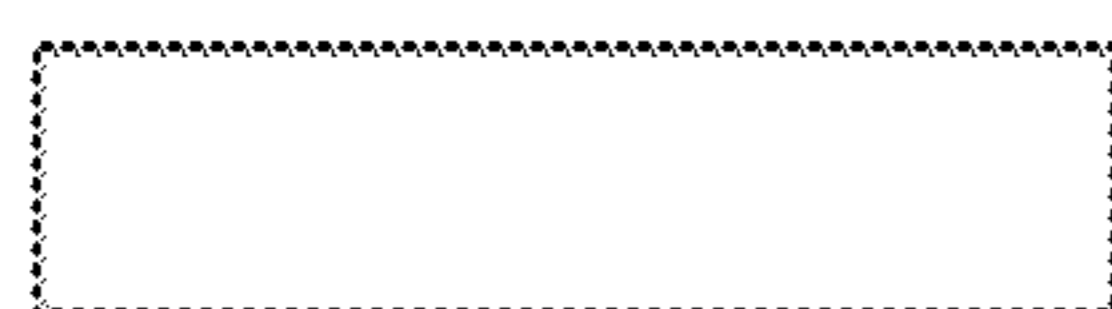


FIG. 6

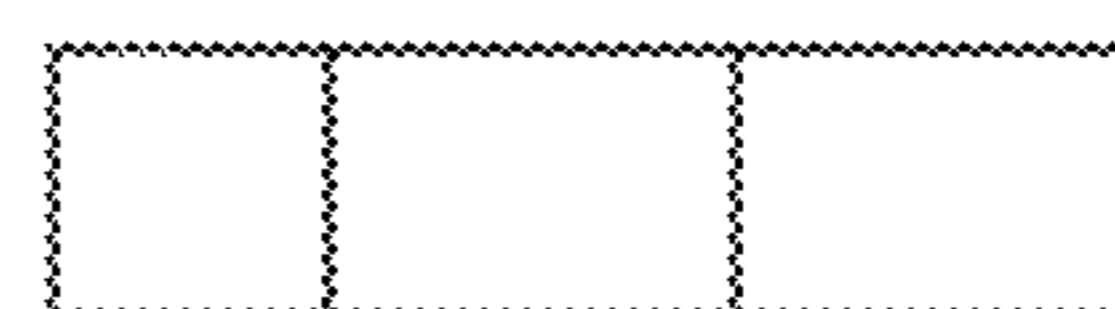


FIG. 7