



US00D955867S

(12) **United States Design Patent**
Zhou

(10) **Patent No.:** **US D955,867 S**

(45) **Date of Patent:** **** Jun. 28, 2022**

(54) **BEAM CLAMP**

(71) Applicant: **Li Zhou**, Ellicott City, MD (US)

(72) Inventor: **Li Zhou**, Ellicott City, MD (US)

(**) Term: **15 Years**

(21) Appl. No.: **29/651,611**

(22) Filed: **Oct. 22, 2018**

(51) **LOC (13) Cl.** **08-08**

(52) **U.S. Cl.**
USPC **D8/394**

(58) **Field of Classification Search**
USPC D8/72, 394-396, 373-374
See application file for complete search history.

(56) **References Cited**

U.S. PATENT DOCUMENTS

- 2,642,243 A * 6/1953 Kindorf F16L 3/24
248/72
- 3,321,161 A * 5/1967 Hirt F16L 3/24
248/72
- 3,572,623 A * 3/1971 Lapp F16L 3/24
248/72
- D226,801 S * 5/1973 Rumble D8/394
- D226,856 S * 5/1973 Leto et al. D8/72
- D228,877 S * 10/1973 Hirt D8/394
- D231,599 S * 5/1974 Rumble D8/394
- D235,731 S * 7/1975 Habuda, Sr. et al. D8/394
- 3,947,011 A * 3/1976 Tsuyama B66C 1/48
269/249
- D242,113 S * 11/1976 Mooney et al. D8/394
- 3,997,152 A * 12/1976 Sass B25B 5/00
269/249
- D262,237 S * 12/1981 Stauber D24/128
- 4,570,885 A * 2/1986 Heath B21D 53/36
248/72
- D340,018 S * 10/1993 Yoder D12/223
- D358,971 S * 6/1995 Glynn D8/73
- D365,512 S * 12/1995 Mason D8/394

- D367,603 S * 3/1996 Ng D8/373
- D393,998 S * 5/1998 Anderson D8/394
- 5,947,424 A * 9/1999 Heath F16B 21/16
248/228.1
- D551,528 S * 9/2007 Vautour D8/72
- 7,281,695 B2 * 10/2007 Jordan F16B 2/065
248/274.1
- D556,531 S * 12/2007 Allen D8/72
- 7,971,838 B2 * 7/2011 Osborn F16L 3/18
248/228.1
- D659,302 S * 5/2012 Rose D30/133
- D664,031 S * 7/2012 Kleiber, Jr. D8/394
- D668,522 S * 10/2012 Henderson D8/73

(Continued)

FOREIGN PATENT DOCUMENTS

CN 303548564 * 7/2016

OTHER PUBLICATIONS

JL Industries online catalog, website 2004, site visited Nov. 20, 2021, <http://www.jl-clamp.com/series2-2.html>.*

Primary Examiner — John R Yeh

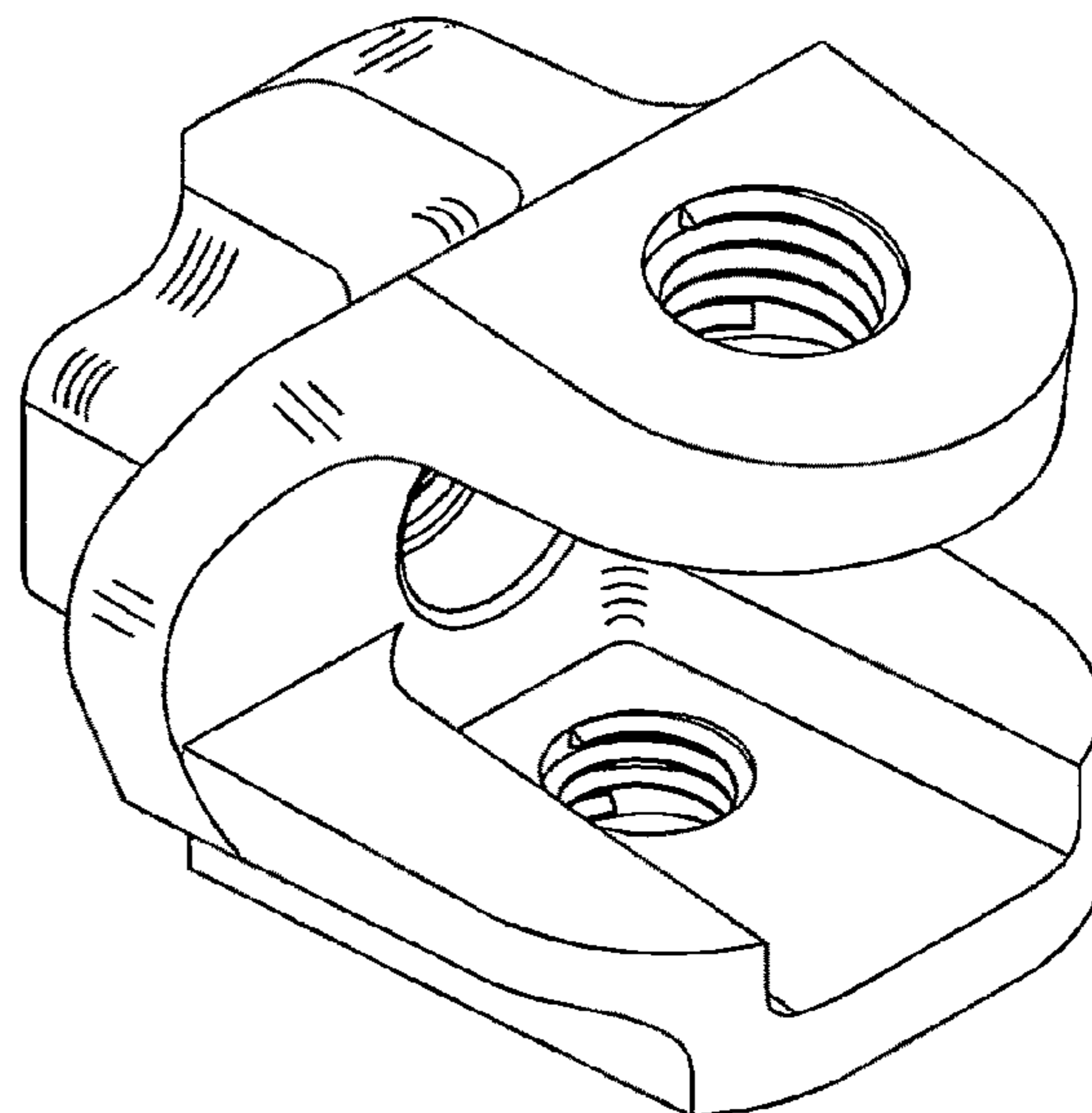
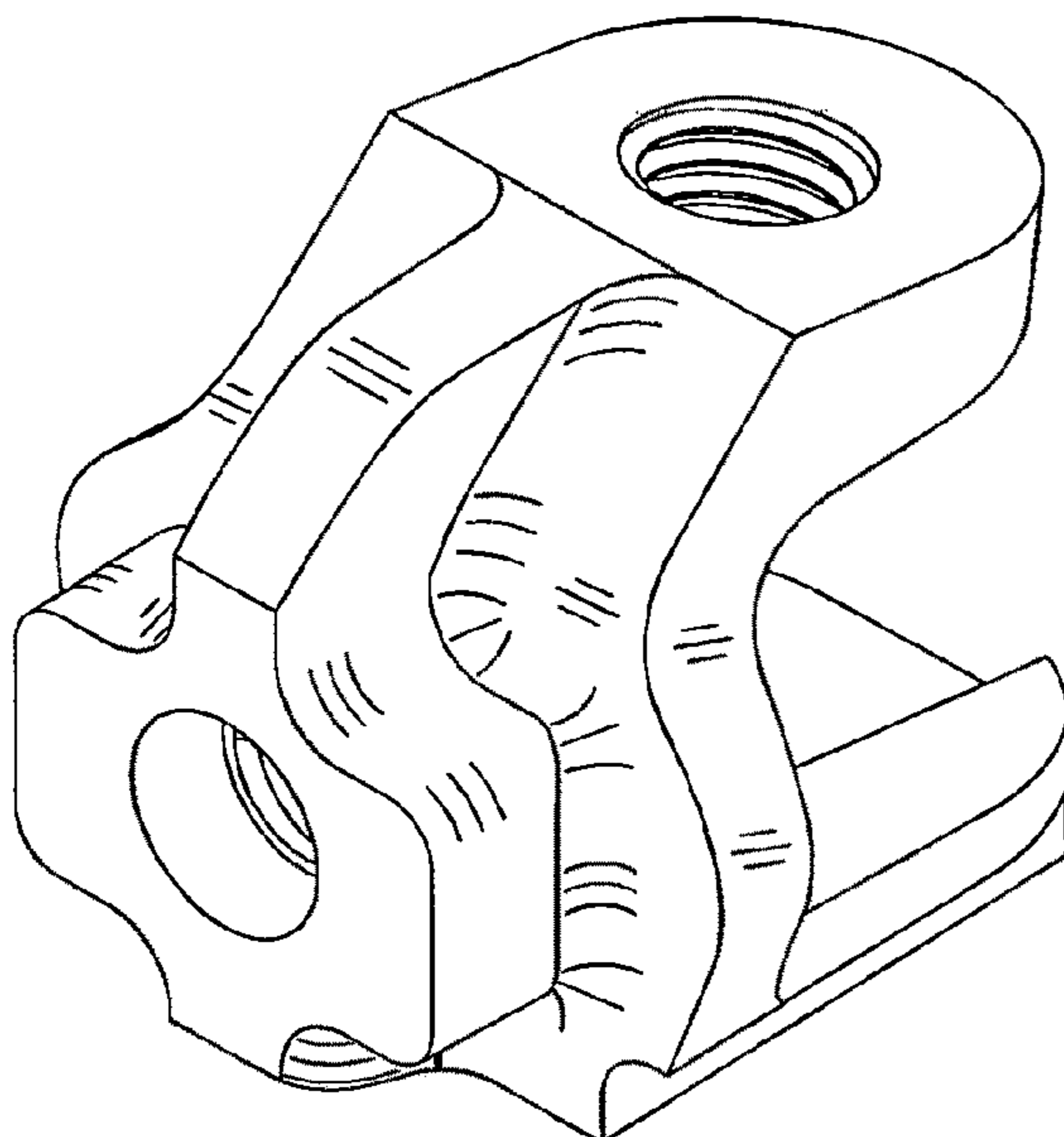
(57) **CLAIM**

The ornamental design for a beam clamp, as shown and described.

DESCRIPTION

FIG. 1 is a side view of my design for a beam clamp in a state of use;
FIG. 2 is a top view thereof;
FIG. 3 is a side view thereof;
FIG. 4 is a back view thereof;
FIG. 5 is a rear, top perspective view thereof; and,
FIG. 6 is a front, top perspective view thereof.
The broken lines in the FIG. 1 depict environment of the beam clamp and form no part of the claimed design.

1 Claim, 6 Drawing Sheets



(56)

References Cited

U.S. PATENT DOCUMENTS

D724,346	S *	3/2015	Lim	D6/553
D736,073	S *	8/2015	Eriksson	D8/394
D741,701	S *	10/2015	McNeil	D8/396
D743,244	S *	11/2015	Anderson	D8/394
D762,300	S *	7/2016	Breitweiser	D24/128
D777,020	S *	1/2017	Zlatic	D8/394
D793,851	S *	8/2017	Mann	D8/394
D795,684	S *	8/2017	Cacciabeve	B60Q 3/35
				D8/394
D797,549	S *	9/2017	Dew	D8/394
10,174,511	B2 *	1/2019	Lutes	F16M 13/022
D860,628	S *	9/2019	Hu	D3/10
D873,109	S *	1/2020	Goto	D8/72
10,637,164	B2 *	4/2020	Garcia Pichardo	H01R 4/42
D897,180	S *	9/2020	Swinney	D8/72
D899,072	S *	10/2020	Nelson	D3/10
D933,467	S *	10/2021	Von Fange	D8/396
2003/0160137	A1 *	8/2003	Shuey	F16G 11/108
				248/72
2021/0316882	A1 *	10/2021	Zhao	G03B 15/006

* cited by examiner

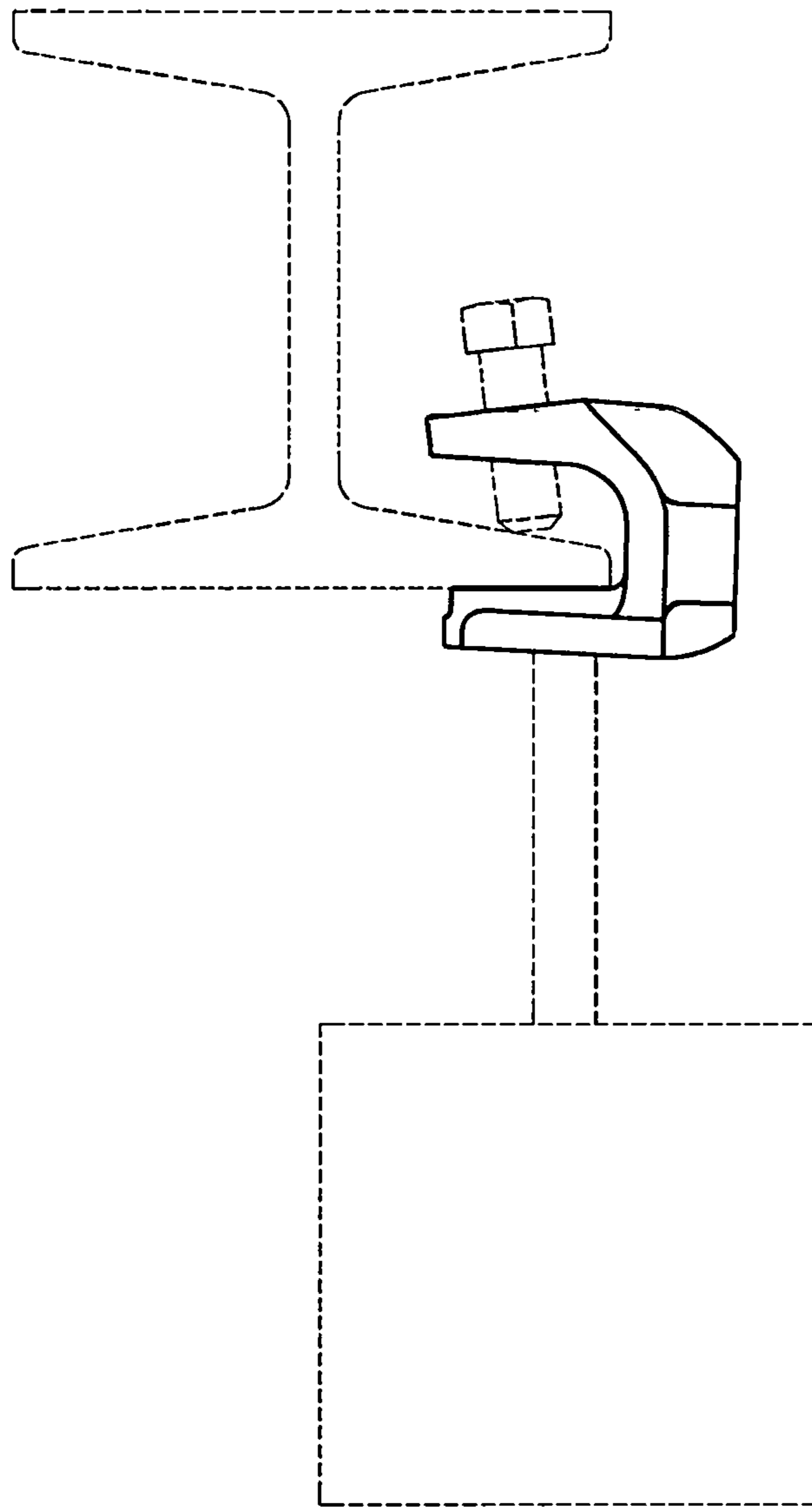


Figure 1

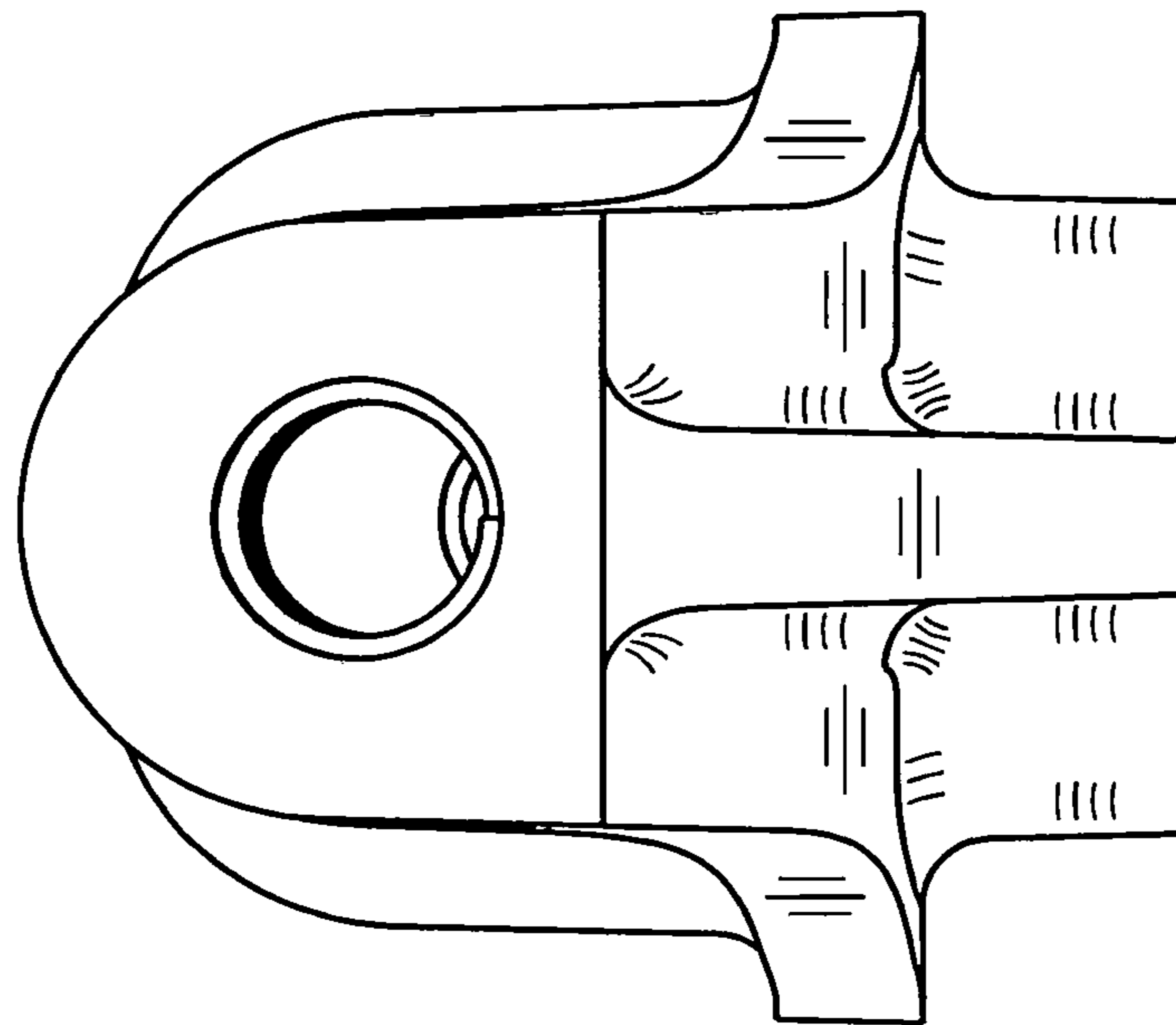


Figure 2

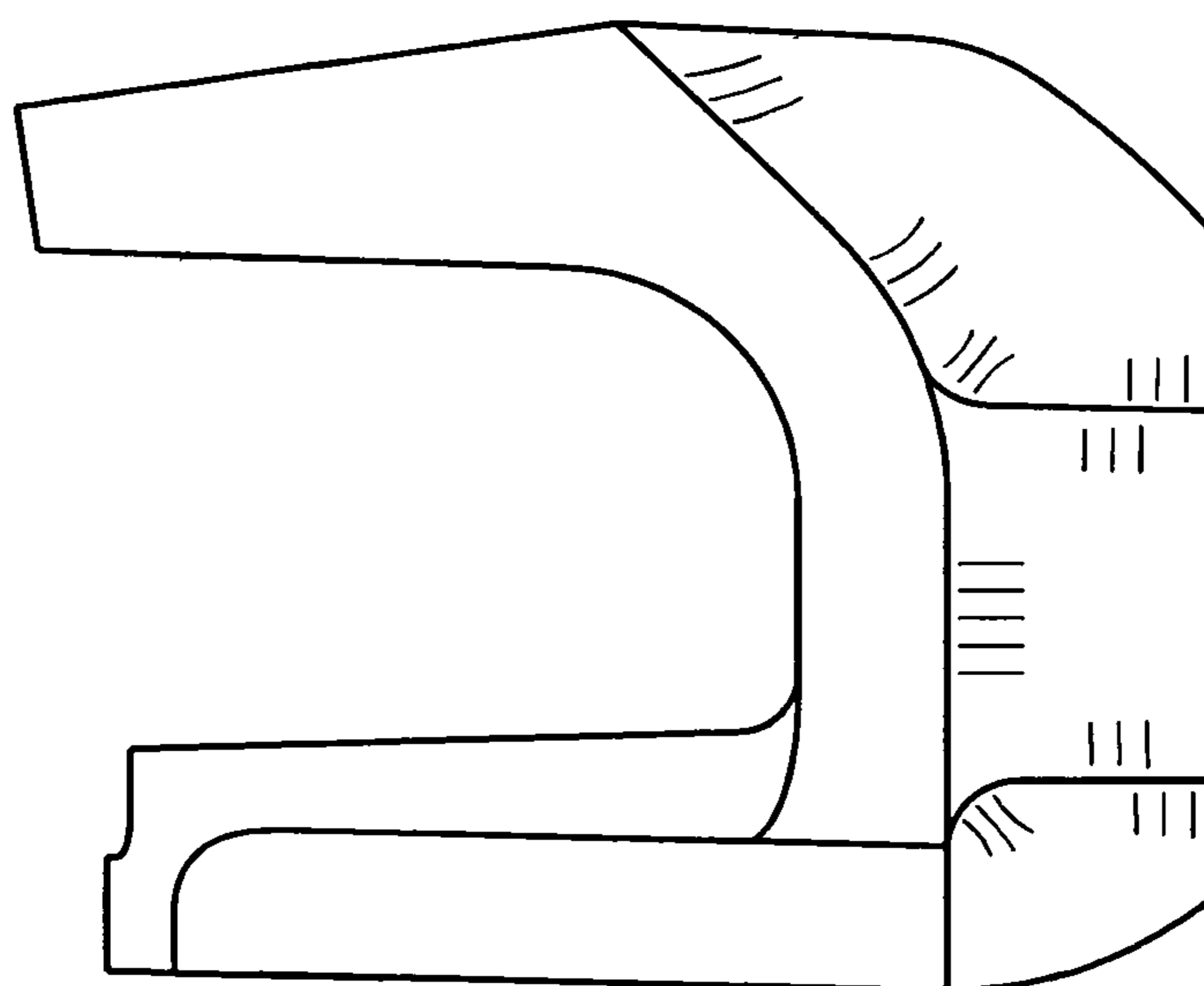


Figure 3

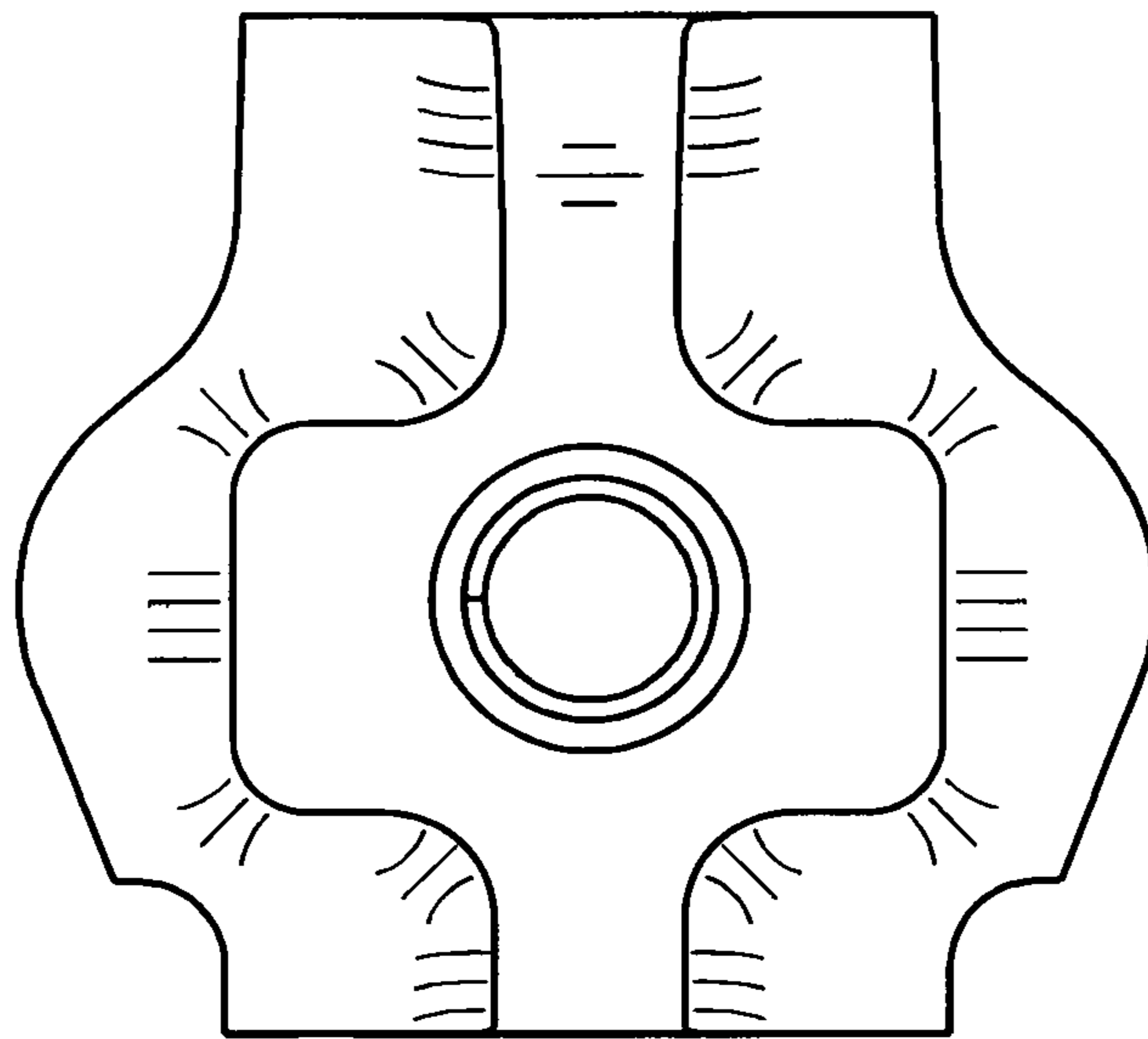


Figure 4

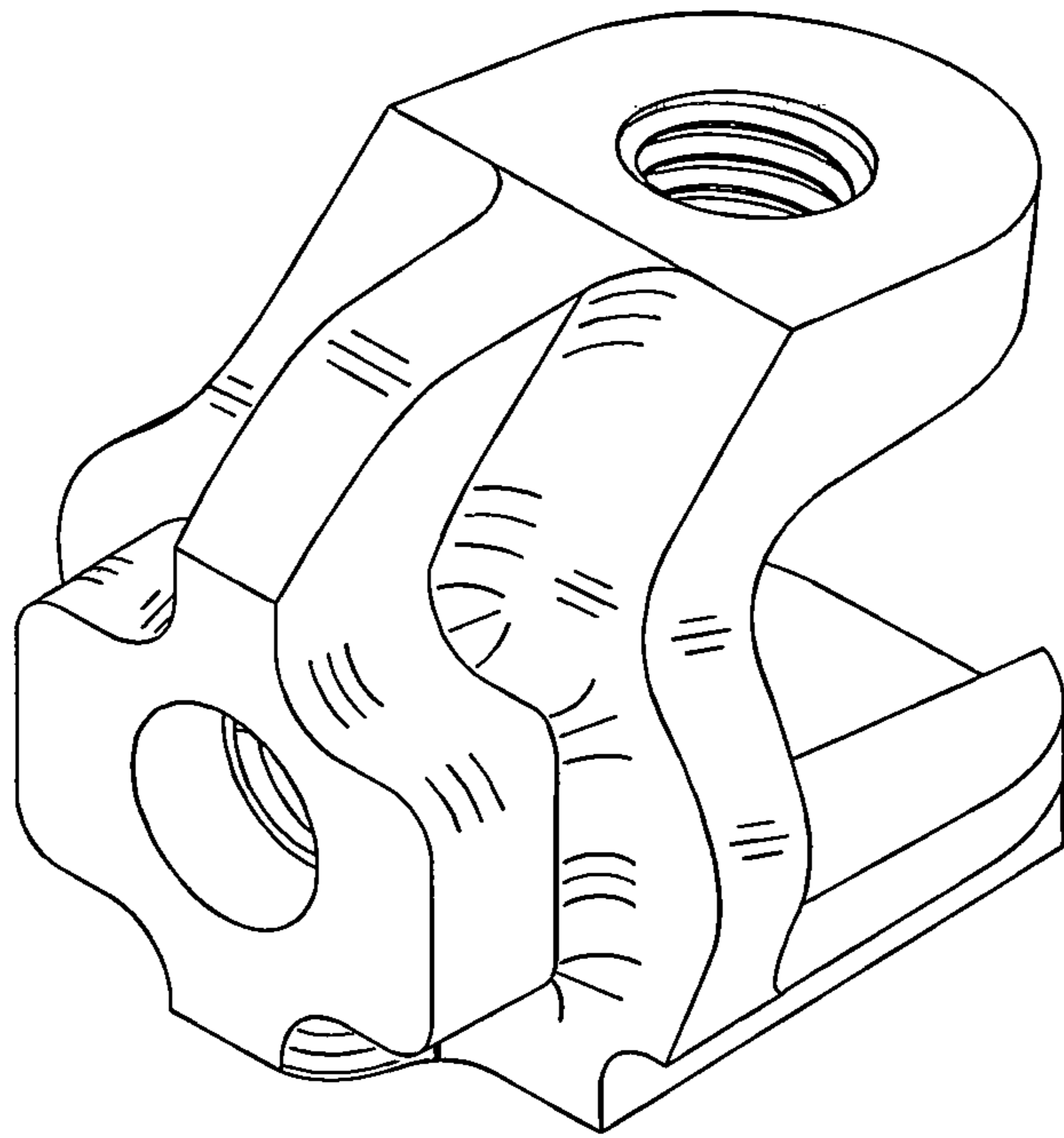


Figure 5

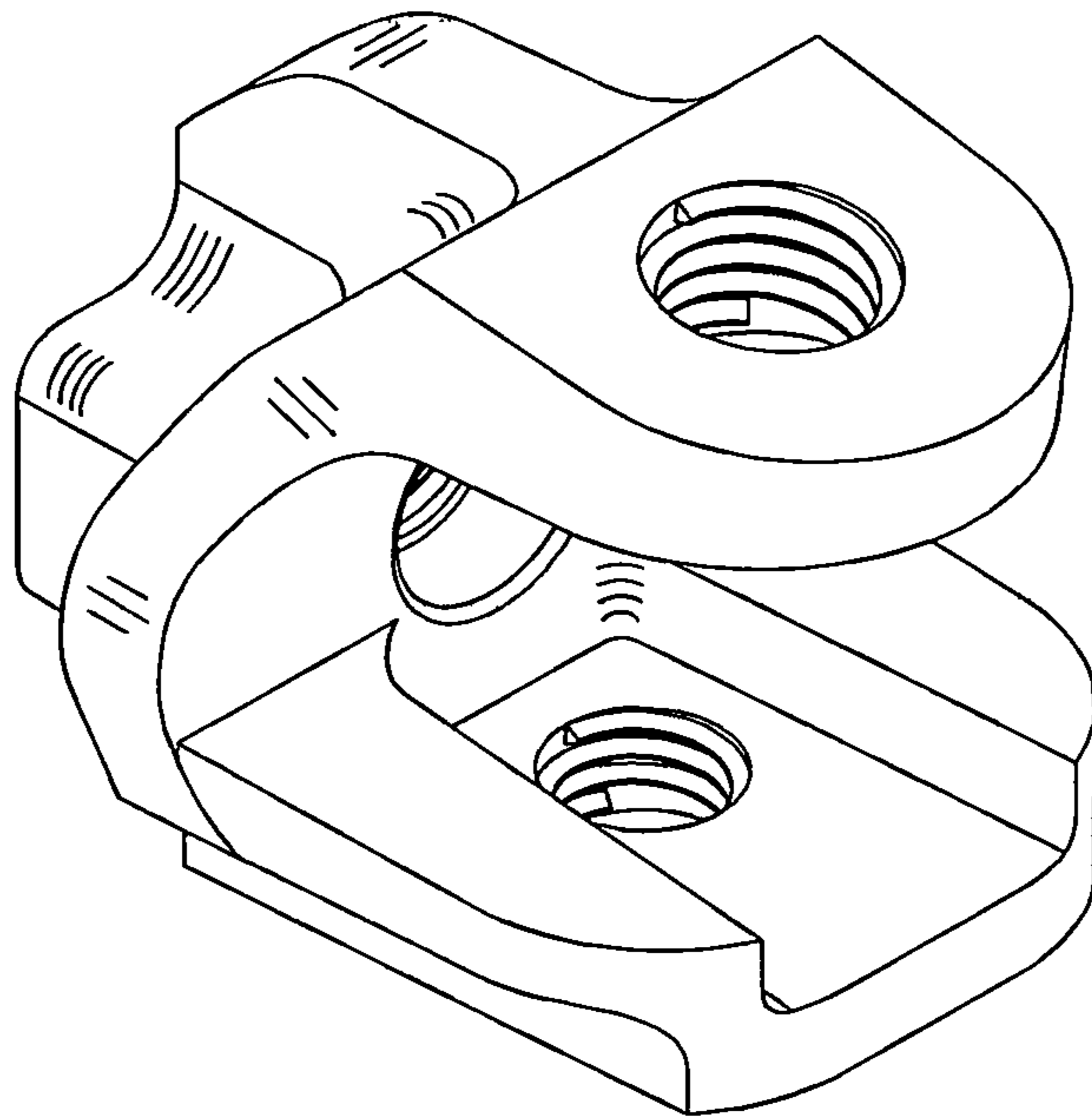


Figure 6