



US00D955866S

(12) **United States Design Patent** (10) **Patent No.:** **US D955,866 S**
Axelsson (45) **Date of Patent:** **** Jun. 28, 2022**

(54) **FASTENING DEVICE**
(71) Applicant: **MAFI AB**, Mora (SE)
(72) Inventor: **Andreas Axelsson**, Malung (SE)
(73) Assignee: **MAFI AB**, Mora (SE)

D495,713 S * 9/2004 Pfister D14/432
D730,331 S * 5/2015 Wong D14/238
D876,201 S * 2/2020 Wassdahl D8/349
D876,211 S * 2/2020 Wassdahl D8/382
D886,573 S * 6/2020 Axelsson D8/382
D907,991 S * 1/2021 Axelsson D8/382
D915,867 S * 4/2021 Axelsson D8/349

(Continued)

(**) Term: **15 Years**

FOREIGN PATENT DOCUMENTS

(21) Appl. No.: **29/782,065**

FR 2793607 A1 * 11/2000 H01Q 1/1207
WO WO-2004109845 A1 * 12/2004 H01Q 1/125

(22) Filed: **May 4, 2021**

(Continued)

(30) **Foreign Application Priority Data**

OTHER PUBLICATIONS

Nov. 25, 2020 (EM) 008285290-0001

MAFi; 5045 Universal small cell bracket, Image post date unknown, Image retrieved on Nov. 3, 2021 (online), <https://www.mafigroup.com/products/>.*

(51) **LOC (13) Cl.** **08-08**

(52) **U.S. Cl.**
USPC **D8/382**

(58) **Field of Classification Search**
USPC D8/16, 71, 72, 380, 381, 382, 349, 354,
D8/394; D10/103, 121; D13/133, 149,
D13/154

Primary Examiner — Sheryl Lane
Assistant Examiner — Ieisha N Price
(74) *Attorney, Agent, or Firm* — Nixon & Vanderhye P.C.

CPC H01Q 1/12; H01Q 1/1207; H01Q 1/1228;
H01Q 1/125; F16L 3/02; F16L 3/10;
F16L 3/1016; F16L 3/1091; F16B 2/12;
F16B 2/065; F16B 7/00; F16B 7/04;
F16B 7/0446; F16B 7/0486; F16M
13/022

(57) **CLAIM**

The ornamental design for a fastening device, as shown and described.

See application file for complete search history.

DESCRIPTION

(56) **References Cited**

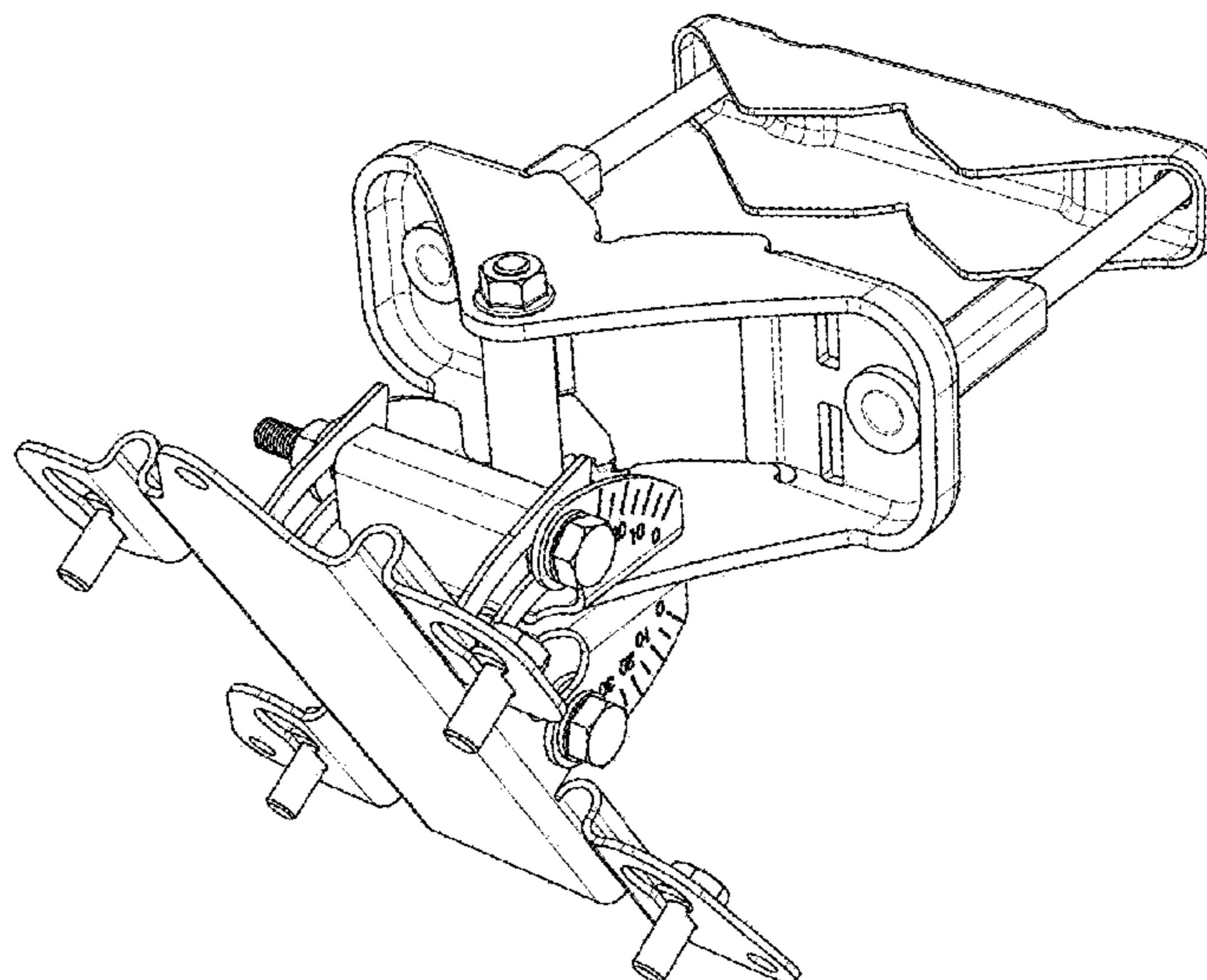
FIG. 1 is a front, top, left side perspective view of a fastening device;
FIG. 2 is a back, bottom, right side perspective view thereof;
FIG. 3 is a front view thereof;
FIG. 4 is a back view thereof;
FIG. 5 is bottom view thereof;
FIG. 6 is a top view thereof; and,
FIG. 7 is a left side view thereof, the right side being a mirror image.

U.S. PATENT DOCUMENTS

D296,545 S * 7/1988 Sachs D13/149
D296,546 S * 7/1988 Sachs D13/149
D332,939 S * 2/1993 McDonough, Jr. D13/149
D371,293 S * 7/1996 Schoenmeyr D8/354
D381,113 S * 7/1997 Safyan D13/149
6,535,177 B1 * 3/2003 Dhellemmes H01Q 1/084
343/765
D494,978 S * 8/2004 Pfister D14/432

The broken lines in the drawings illustrate portions of the fastening device that form no part of the claimed design.

1 Claim, 7 Drawing Sheets



(56)

References Cited

U.S. PATENT DOCUMENTS

D931,717 S * 9/2021 Axelsson D8/382
 2002/0105477 A1* 8/2002 Bragg H01Q 19/13
 343/892
 2002/0196195 A1* 12/2002 Vermette H01Q 1/125
 343/882
 2010/0309090 A1* 12/2010 Grice H01Q 3/08
 343/882
 2011/0168855 A1* 7/2011 Bonczyk H01Q 1/1207
 248/201
 2012/0211624 A1* 8/2012 Lin H01Q 1/1228
 248/292.14
 2013/0221182 A1* 8/2013 Renilson H01Q 1/125
 248/534
 2013/0256477 A1* 10/2013 Fackler F16M 11/10
 248/201
 2014/0306072 A1* 10/2014 Yang H01Q 3/06
 248/124.1
 2014/0346294 A1* 11/2014 Lewry H01Q 1/125
 248/201
 2014/0347246 A1* 11/2014 Lewry H01Q 1/1228
 343/892
 2015/0034785 A1* 2/2015 Xiao H01Q 3/08
 248/288.11
 2015/0136920 A1* 5/2015 Hemmervall F16B 5/0233
 248/201
 2015/0280307 A1* 10/2015 Lin H01Q 1/12
 248/230.5
 2016/0104941 A1* 4/2016 Lee H01Q 1/1228
 343/702

2016/0211569 A1* 7/2016 Skrepcinski H01Q 1/1228
 2016/0294036 A1* 10/2016 Christie H01Q 1/125
 2016/0322697 A1* 11/2016 Skrepcinski H01Q 1/1235
 2016/0352042 A1* 12/2016 Wankoff H01R 24/52
 2016/0352376 A1* 12/2016 Shimizu H01Q 1/1228
 2016/0365618 A1* 12/2016 Kim H01Q 1/1242
 2017/0133740 A1* 5/2017 Bensen H01Q 3/06
 2017/0211745 A1* 7/2017 Alban F16M 11/2092
 2017/0264005 A1* 9/2017 Roy H01Q 1/1228
 2017/0271760 A1* 9/2017 Moon H01Q 3/22
 2017/0288292 A1* 10/2017 Renilson H01Q 3/08
 2018/0083337 A1* 3/2018 Roy H01Q 1/1228
 2018/0115047 A1* 4/2018 Tsukada H01Q 1/12
 2018/0198188 A1* 7/2018 Bensen H01Q 3/08
 2019/0203878 A1* 7/2019 Deng H04B 1/38
 2020/0185827 A1* 6/2020 Kaistha H01Q 1/246
 2020/0321678 A1* 10/2020 Renilson H01Q 1/1228
 2021/0066779 A1* 3/2021 Udagave H01Q 1/246
 2021/0075083 A1* 3/2021 Udagave H01Q 1/125
 2021/0167589 A1* 6/2021 Klein H05K 7/02
 2021/0190237 A1* 6/2021 Bell H01Q 1/1228
 2021/0194109 A1* 6/2021 Shao H01Q 3/08
 2021/0226314 A1* 7/2021 Kolokotronis H01Q 1/1228
 2021/0328322 A1* 10/2021 Walker H01Q 3/08
 2021/0336322 A1* 10/2021 Isambard H01Q 1/125

FOREIGN PATENT DOCUMENTS

WO WO-2008154514 A2 * 12/2008 G01B 21/24
 WO WO-2017196097 A1 * 11/2017 H04B 17/318
 WO WO-2018068813 A1 * 4/2018 B66D 1/28
 WO WO-2019120498 A1 * 6/2019 H01Q 1/1228
 WO WO-2019174717 A1 * 9/2019 H01Q 1/084

* cited by examiner

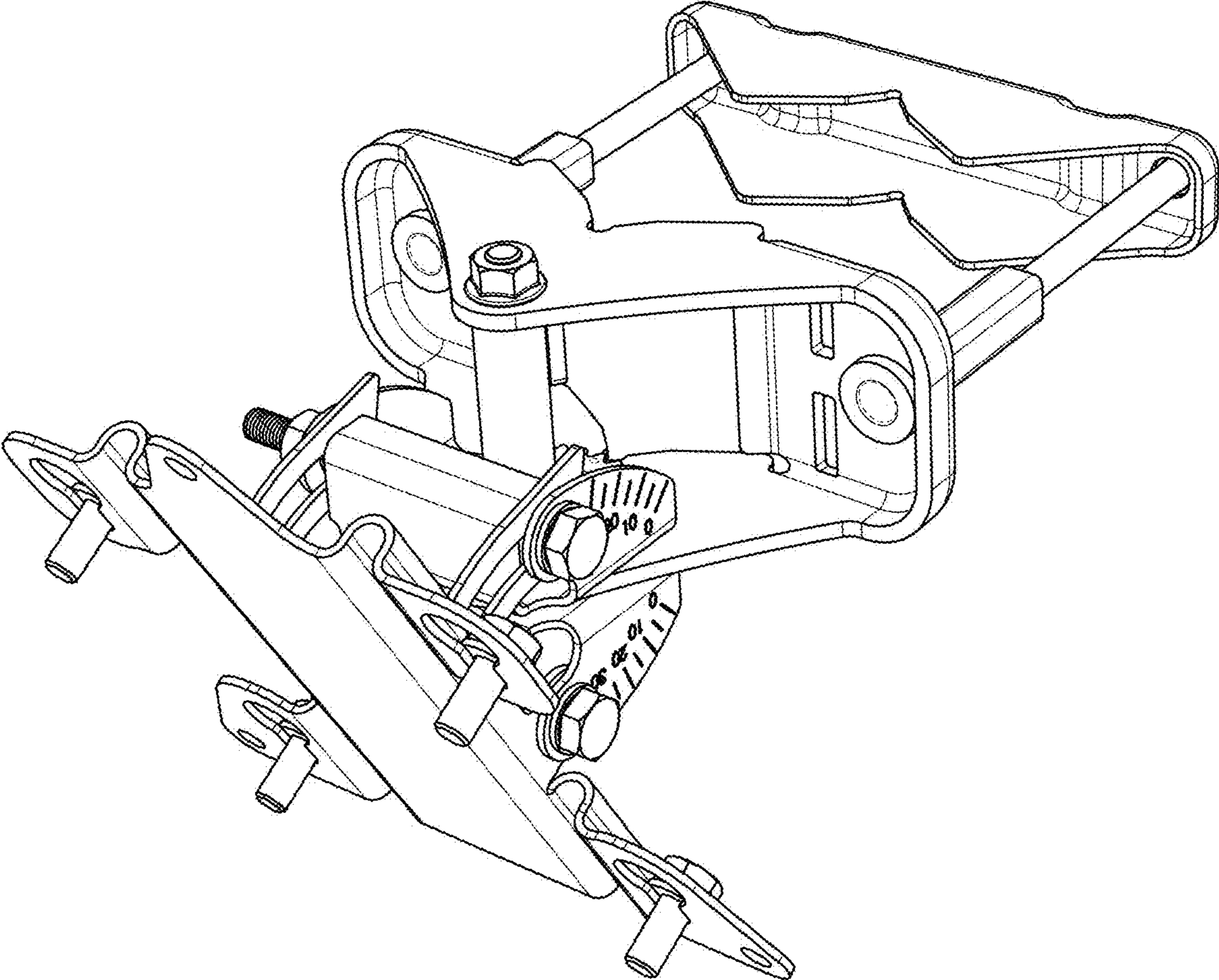


FIG. 1

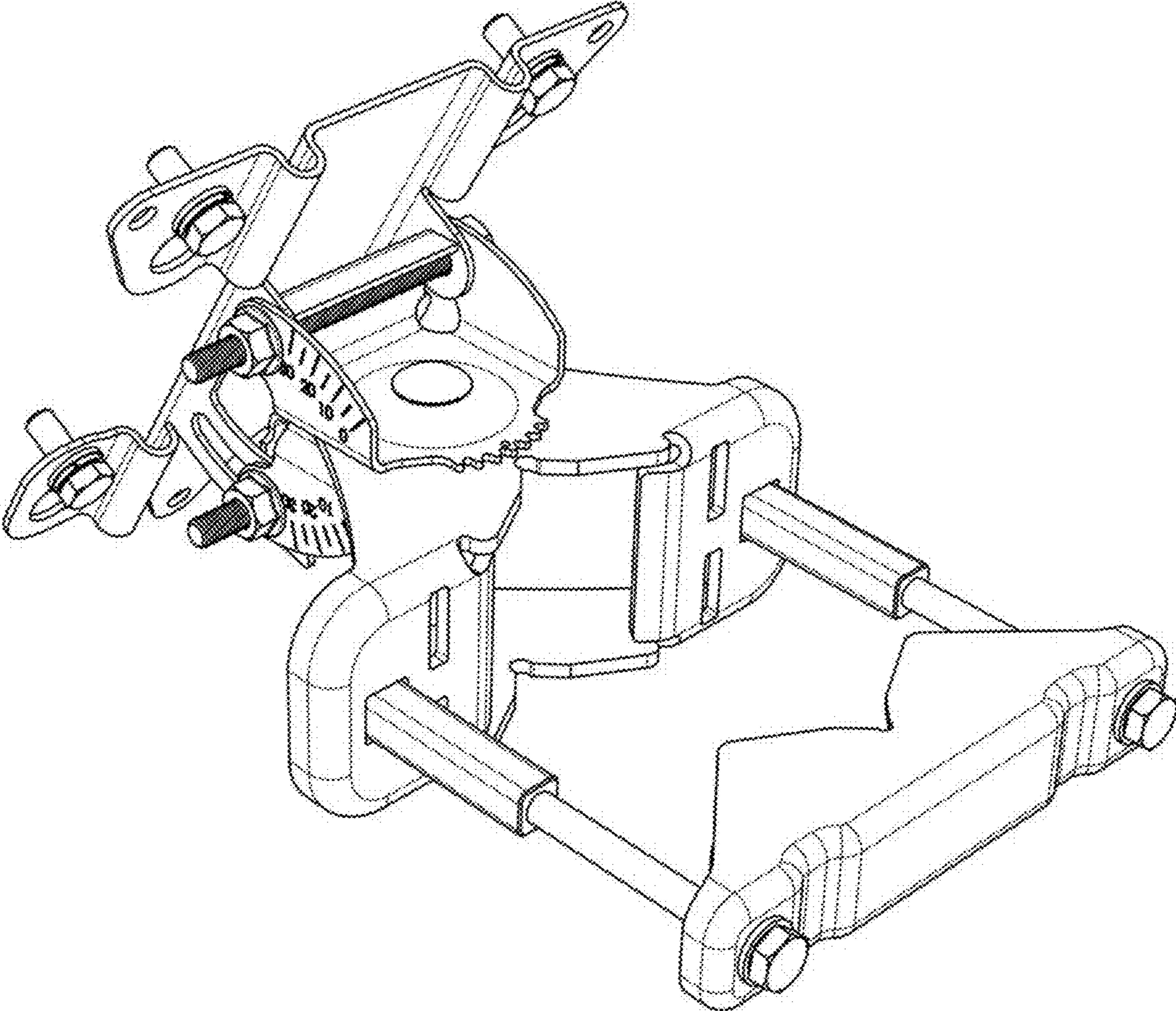


FIG. 2

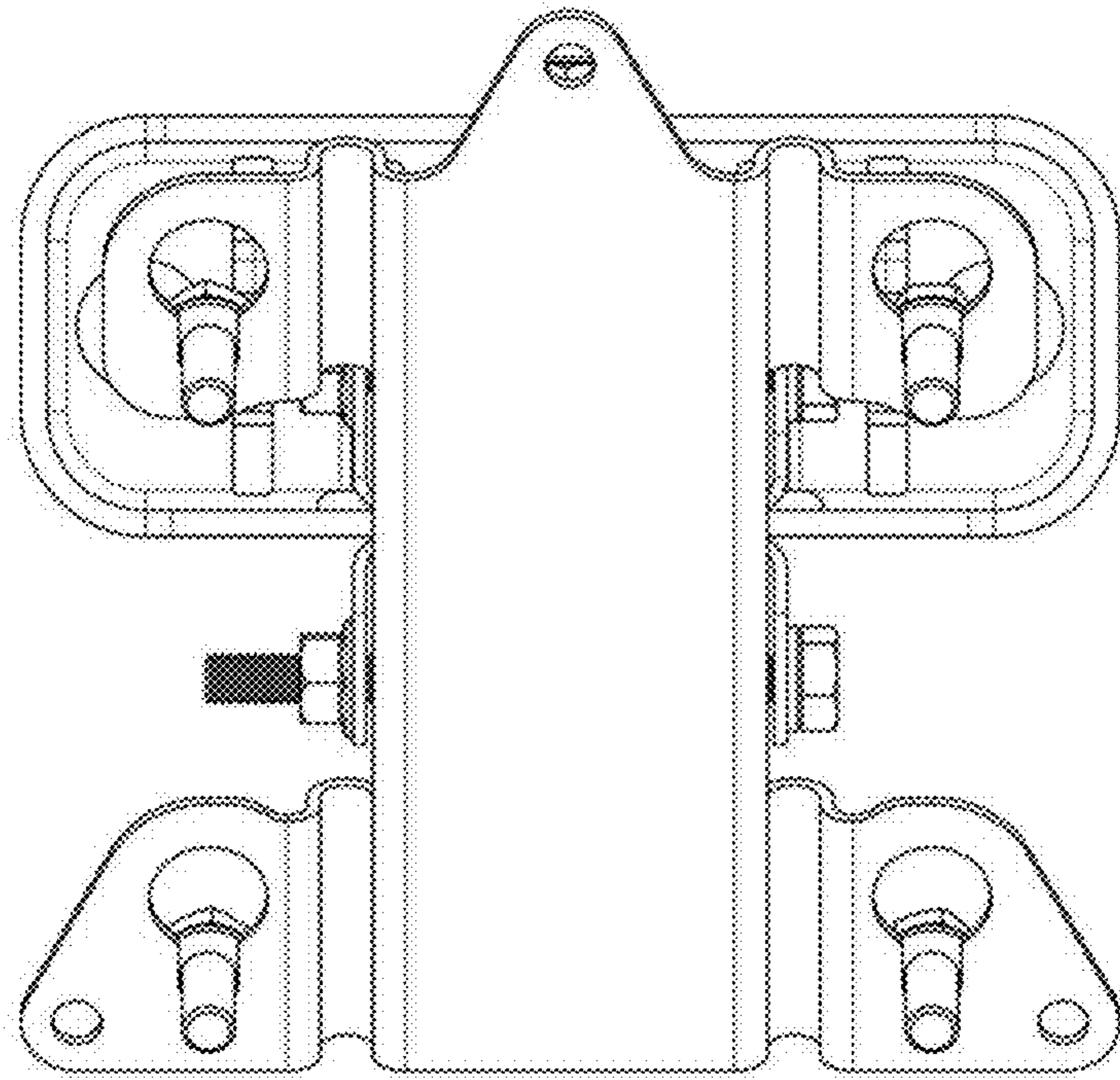


FIG. 3

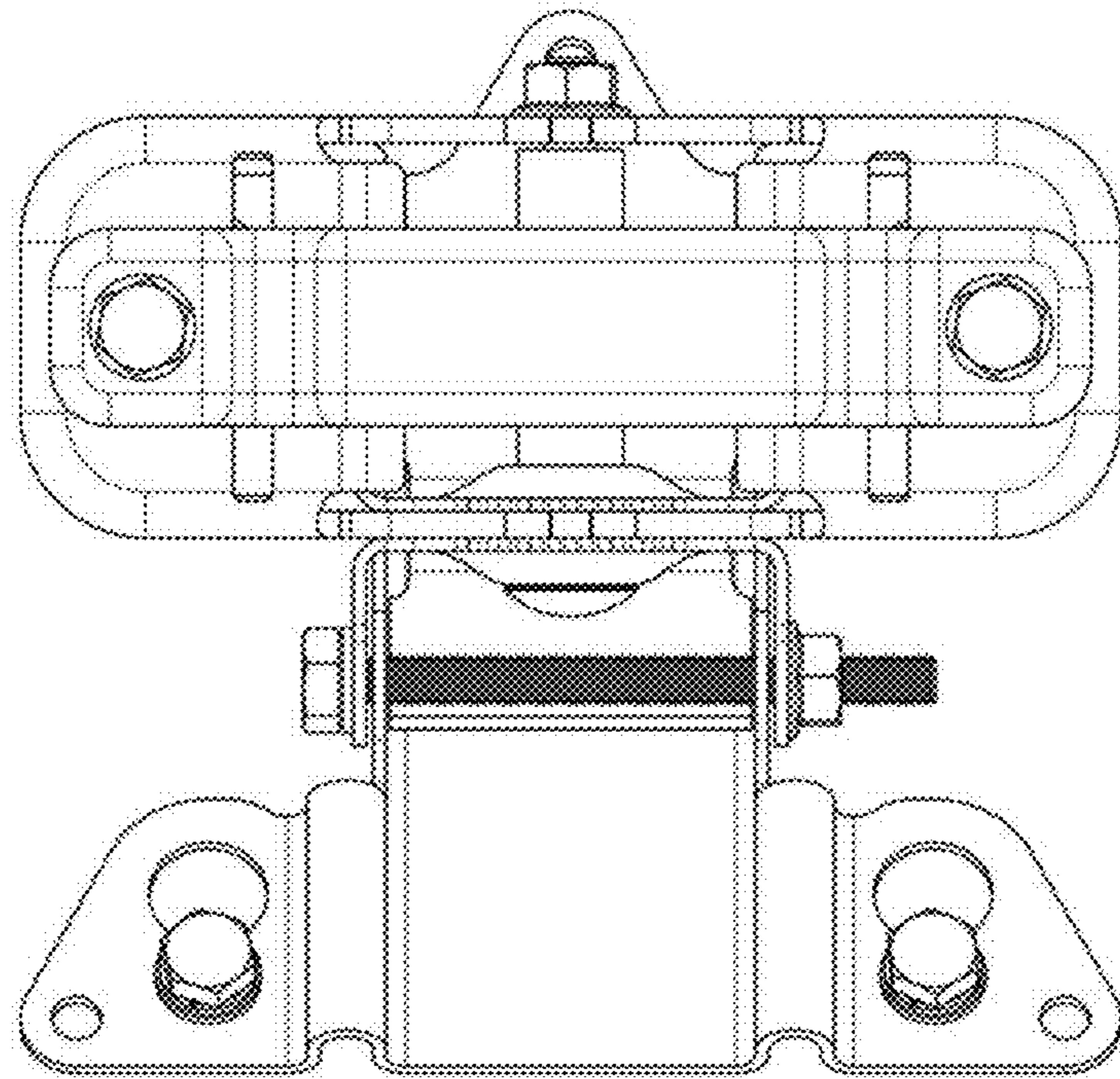


FIG. 4

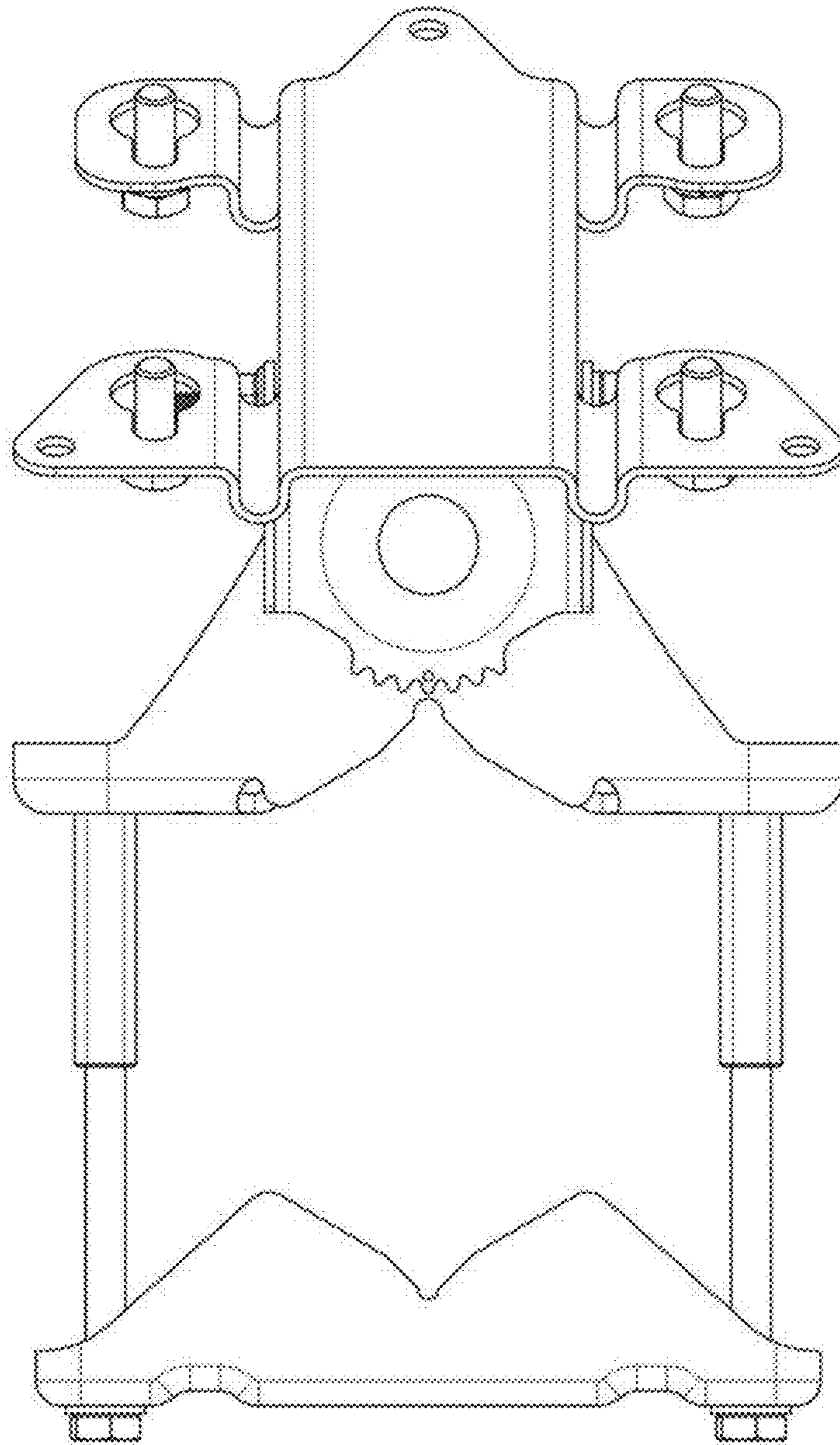


FIG. 5

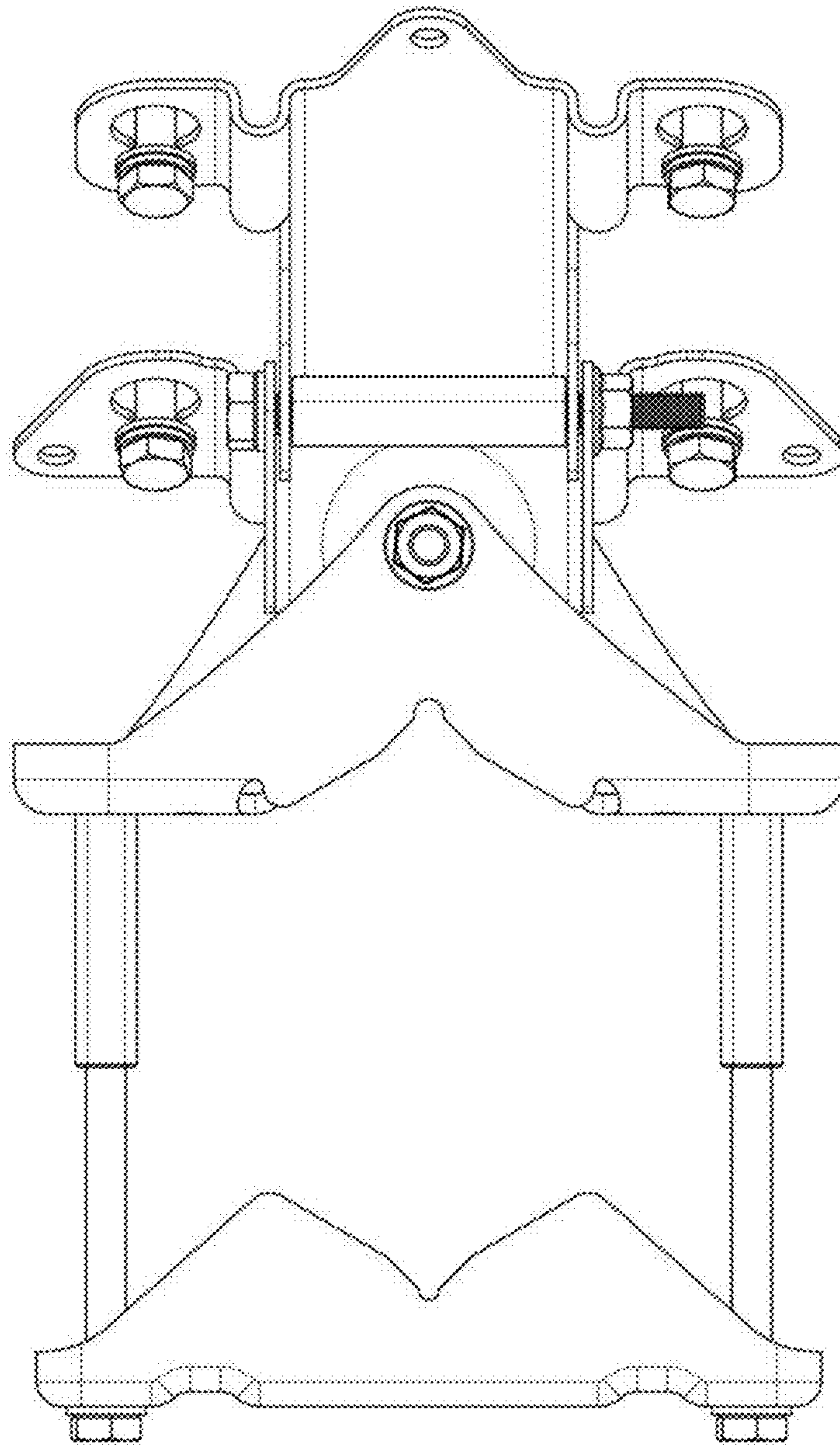


FIG. 6

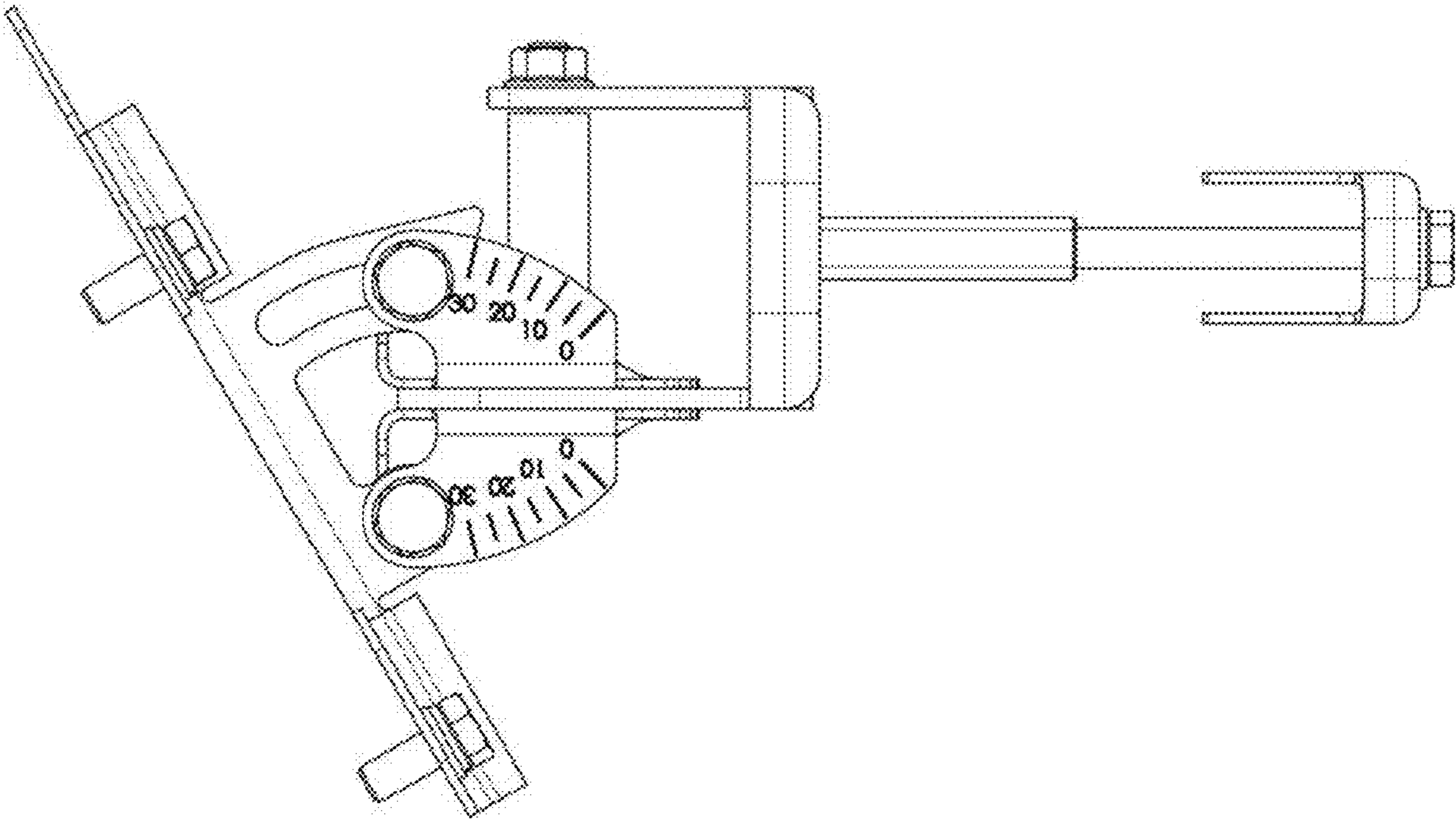


FIG. 7