



US00D955865S

(12) **United States Design Patent**  
**Boberg**

(10) **Patent No.:** **US D955,865 S**  
(45) **Date of Patent:** **\*\* Jun. 28, 2022**

(54) **FASTENING DEVICE**

(71) Applicant: **MAFI AB**, Mora (SE)

(72) Inventor: **Daniel Boberg**, Älvdalen (SE)

(73) Assignee: **MAFI AB**, Mora (SE)

(\*\*) Term: **15 Years**

(21) Appl. No.: **29/761,406**

(22) Filed: **Dec. 9, 2020**

(30) **Foreign Application Priority Data**

Jun. 9, 2020 (EM) ..... 007992243-0002

(51) **LOC (13) Cl.** ..... **08-08**

(52) **U.S. Cl.**  
USPC ..... **D8/382**

(58) **Field of Classification Search**  
USPC ..... D8/16, 71, 72, 380, 381, 382, 349, 354,  
D8/394; D10/103, 121; D13/133, 149,  
D13/154  
CPC ..... H01Q 1/12; H01Q 1/1207; H01Q 1/1228;  
H01Q 1/125; F16L 3/02; F16L 3/10;  
F16L 3/1016; F16L 3/1091; F16B 2/12;  
F16B 2/065; F16B 7/00; F16B 7/04;  
F16B 7/0446; F16B 7/0486; F16M  
13/022

See application file for complete search history.

(56) **References Cited**

**U.S. PATENT DOCUMENTS**

D257,663 S \* 12/1980 McKee ..... D8/354  
D257,664 S \* 12/1980 McKee ..... D8/354  
D296,075 S \* 6/1988 Jones ..... D15/7  
D309,706 S \* 8/1990 Propp ..... D8/354  
D342,011 S \* 12/1993 Maguire ..... D8/349  
D438,448 S \* 3/2001 Batting ..... D8/354  
D477,210 S \* 7/2003 Callahan ..... D8/349  
D507,959 S \* 8/2005 Mottini ..... D8/354  
D521,855 S \* 5/2006 Taylor ..... D24/110

D560,677 S \* 1/2008 Wohlford ..... D14/451  
D561,189 S \* 2/2008 Wohlford ..... D14/451  
8,011,628 B1 \* 9/2011 Suddeth ..... H01Q 1/12  
248/225.11  
D686,486 S \* 7/2013 Densmore ..... D8/349  
D732,373 S \* 6/2015 Wagner ..... D8/349  
9,045,898 B2 \* 6/2015 Ravnaas ..... E04B 2/7409  
D742,213 S \* 11/2015 Sasanecki ..... D8/396  
10,527,223 B2 \* 1/2020 Fruh ..... F16M 13/02  
D876,201 S \* 2/2020 Wassdahl ..... D8/349

(Continued)

**FOREIGN PATENT DOCUMENTS**

FR 2793607 A1 \* 11/2000 ..... H01Q 1/1207

**OTHER PUBLICATIONS**

MAFi; Mounting Description Dual ERS bracket: 2019, 2 pages,  
Retrieved on Nov. 1, 2021 (online).\*

*Primary Examiner* — Sheryl Lane

*Assistant Examiner* — Ieisha N Price

(74) *Attorney, Agent, or Firm* — Nixon & Vanderhye P.C.

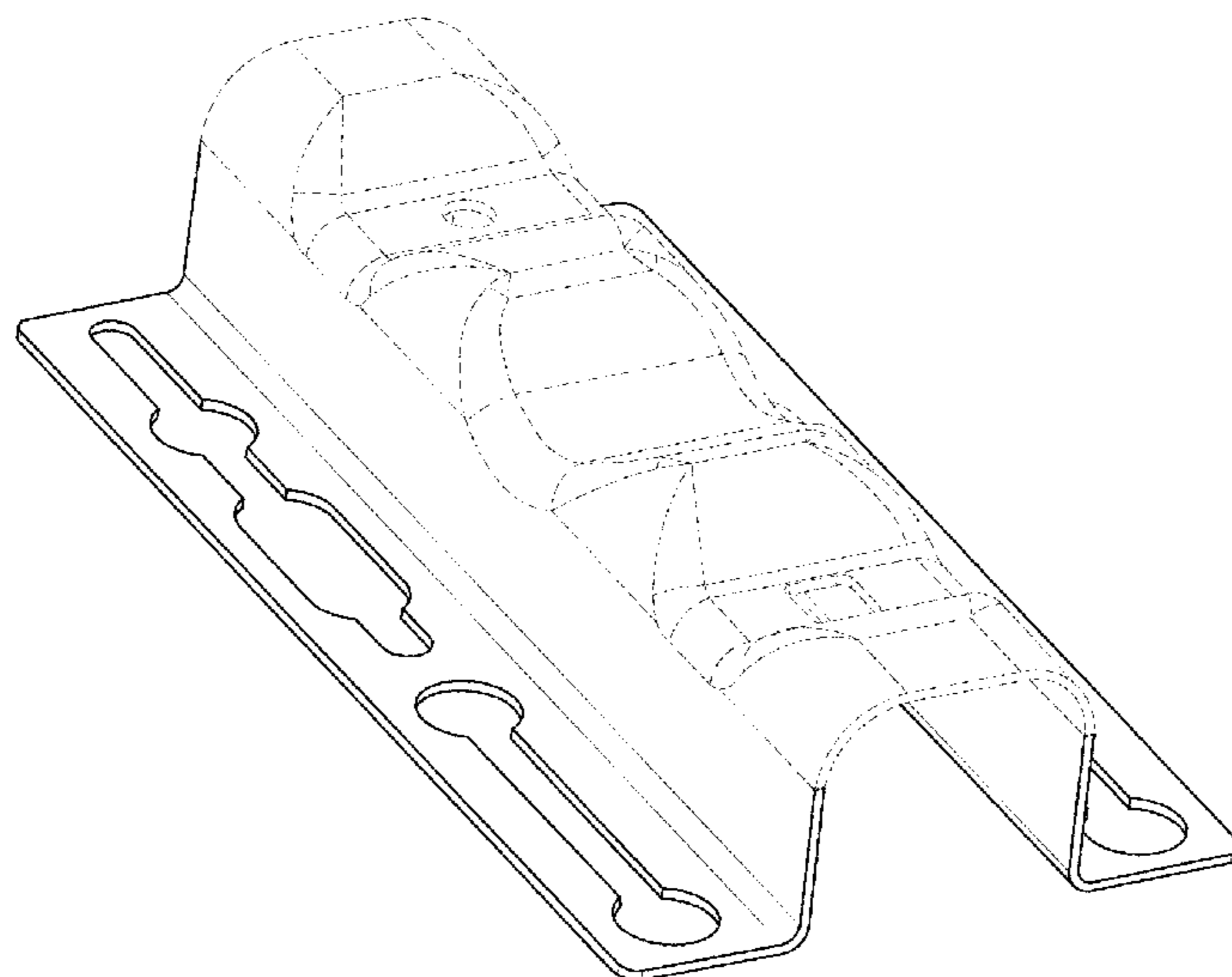
(57) **CLAIM**

The ornamental design for a fastening device, as shown and described.

**DESCRIPTION**

FIG. 1 is a front, top, right side perspective view of a fastening device;  
FIG. 2 is a rear, bottom, left side perspective view thereof;  
FIG. 3 is a bottom view thereof;  
FIG. 4 is a top view thereof;  
FIG. 5 is a front view thereof;  
FIG. 6 is a rear view thereof; and,  
FIG. 7 is a right side view thereof, the left side view being a mirror image.  
The broken lines in the figures depict portions of a fastening device that form no part of the claimed design.

**1 Claim, 4 Drawing Sheets**



(56)

## References Cited

## U.S. PATENT DOCUMENTS

D886,572 S \* 6/2020 Axelsson ..... D8/382  
D902,701 S \* 11/2020 Smith ..... D8/366  
D915,867 S \* 4/2021 Axelsson ..... D8/349  
D916,581 S \* 4/2021 Axelsson ..... D8/349  
11,038,253 B1 \* 6/2021 Tseng ..... H01Q 1/288  
D927,293 S \* 8/2021 Axelsson ..... D8/382  
D931,717 S \* 9/2021 Axelsson ..... D8/382  
2007/0132655 A1 \* 6/2007 Lin ..... H01Q 1/125  
343/880  
2009/0052128 A1 \* 2/2009 Yeh ..... F16M 11/10  
361/679.27  
2011/0083399 A1 \* 4/2011 Lettkeman ..... H01Q 1/1228  
52/745.21  
2011/0187624 A1 \* 8/2011 Lettkeman ..... H01Q 3/02  
343/882  
2014/0082921 A1 \* 3/2014 Adams, Jr. .... F16B 7/04  
29/525.02  
2016/0104941 A1 \* 4/2016 Lee ..... H01Q 1/1228  
343/702  
2016/0312943 A1 \* 10/2016 Yang ..... F16M 11/18  
2016/0322697 A1 \* 11/2016 Skrepcinski ..... H01Q 1/1235  
2016/0352376 A1 \* 12/2016 Shimizu ..... H01Q 1/1228  
2016/0369940 A1 \* 12/2016 Patil ..... F01N 3/2066  
2019/0203878 A1 \* 7/2019 Deng ..... H04B 1/38  
2019/0207292 A1 \* 7/2019 Bailey ..... F16B 45/00  
2020/0063910 A1 \* 2/2020 Hung ..... F16M 11/24  
2020/0096135 A1 \* 3/2020 Witherbee ..... F16L 3/1091  
2020/0136244 A1 \* 4/2020 Chen ..... H01Q 1/002  
2020/0318674 A1 \* 10/2020 Axelsson ..... F16B 37/047  
2020/0321679 A1 \* 10/2020 Liu ..... H01Q 1/1228  
2021/0167589 A1 \* 6/2021 Klein ..... H05K 7/02  
2021/0190237 A1 \* 6/2021 Bell ..... H01Q 1/1228  
2021/0194109 A1 \* 6/2021 Shao ..... H01Q 3/08  
2021/0301974 A1 \* 9/2021 Patel ..... E04H 12/00

\* cited by examiner

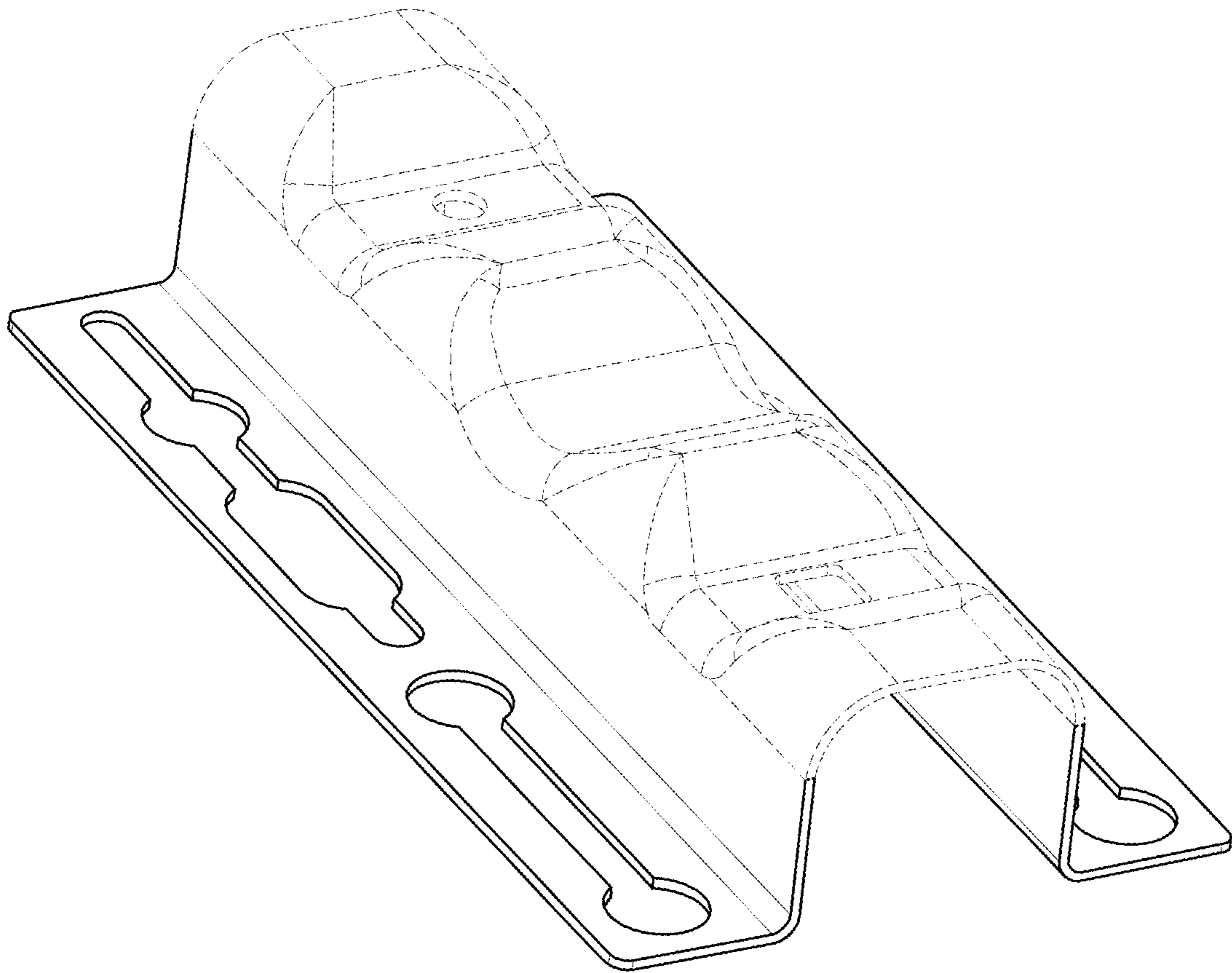


FIG. 1

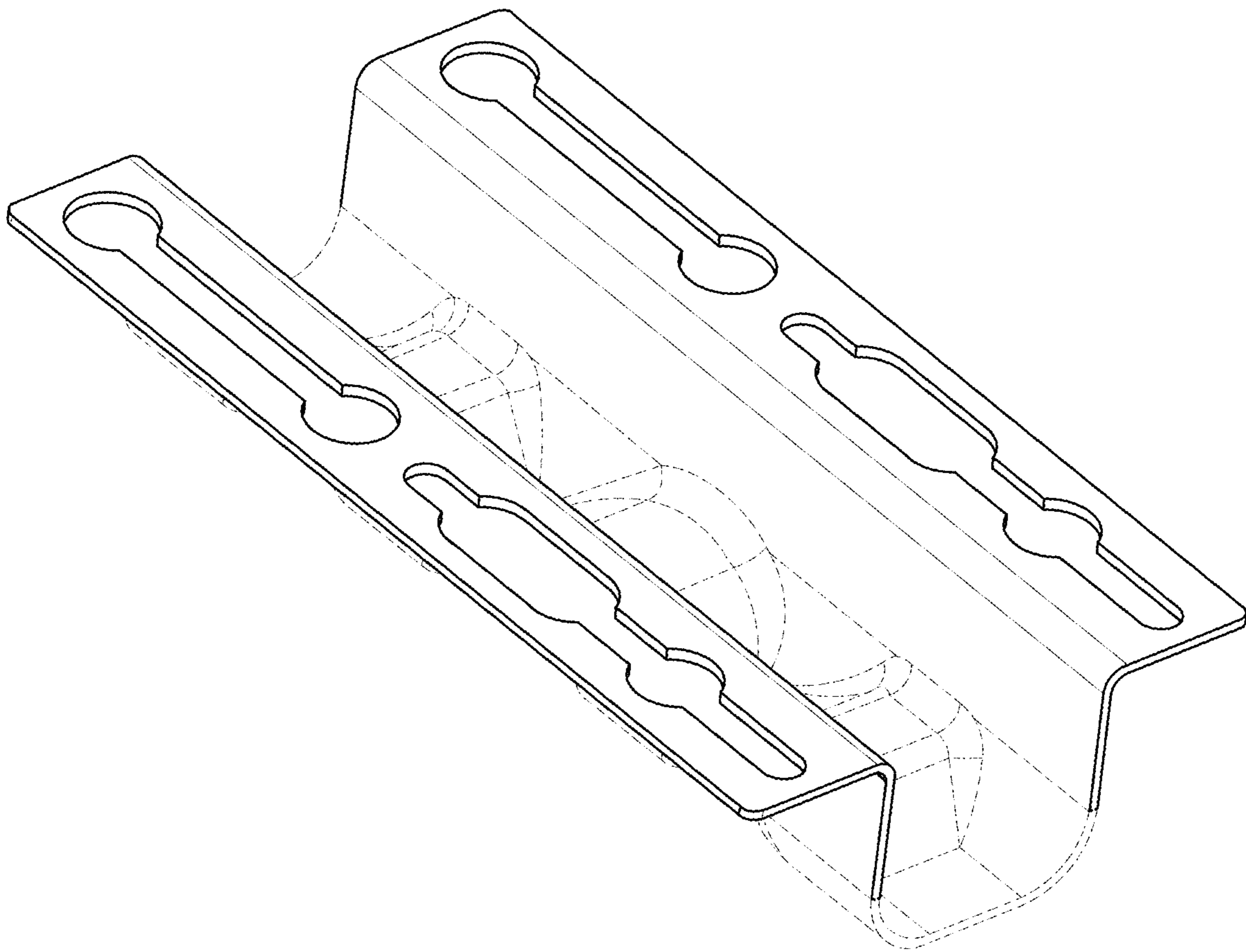
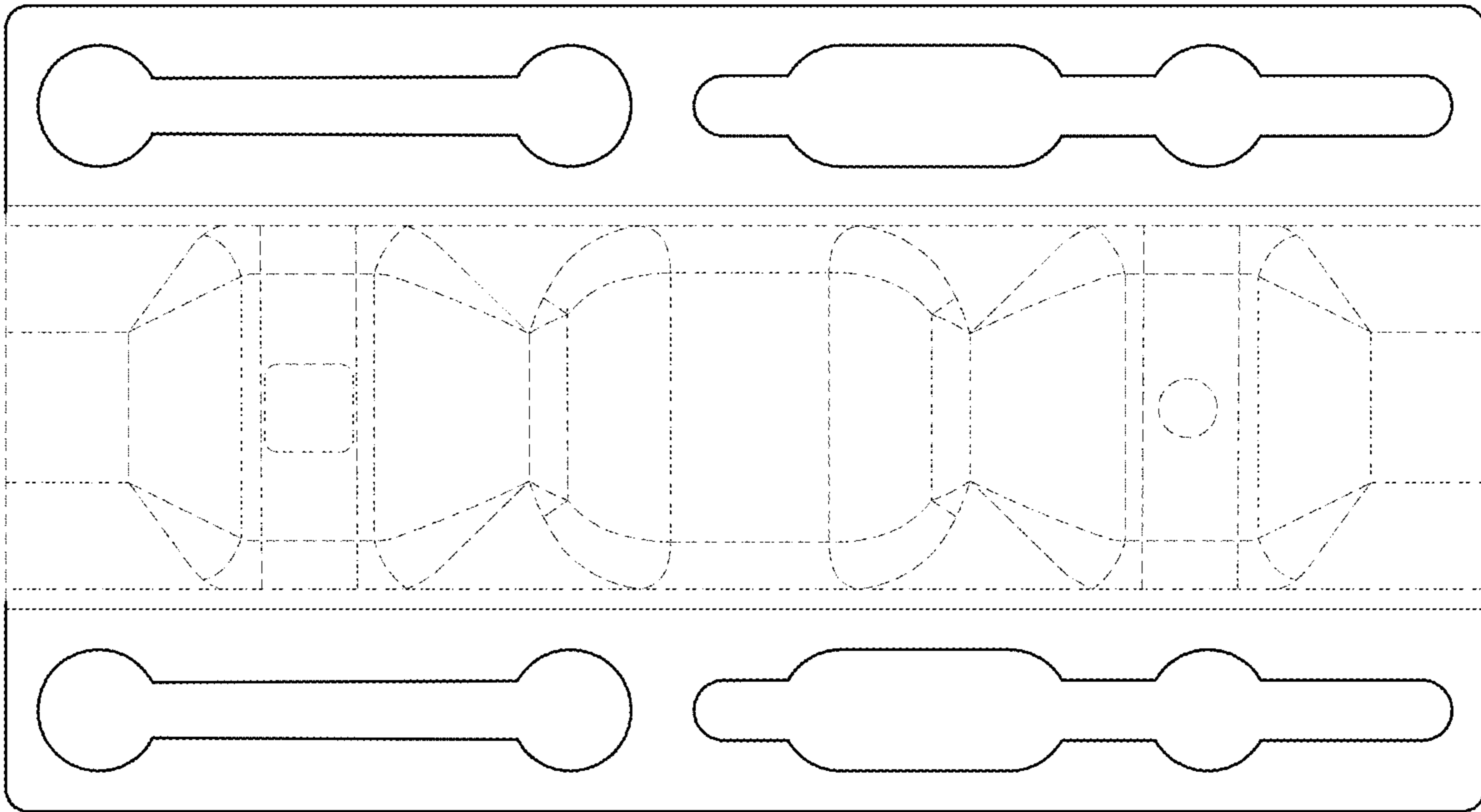
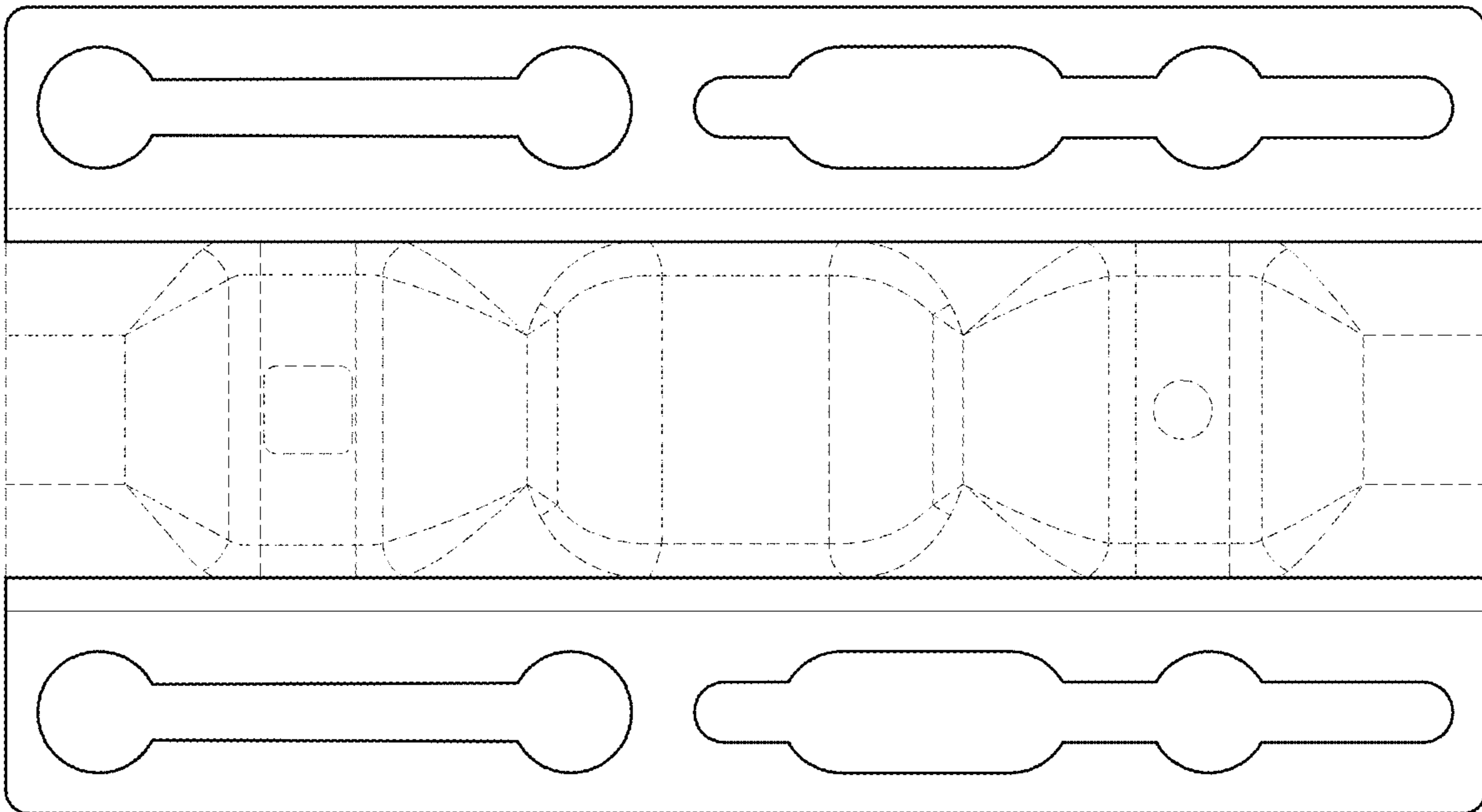


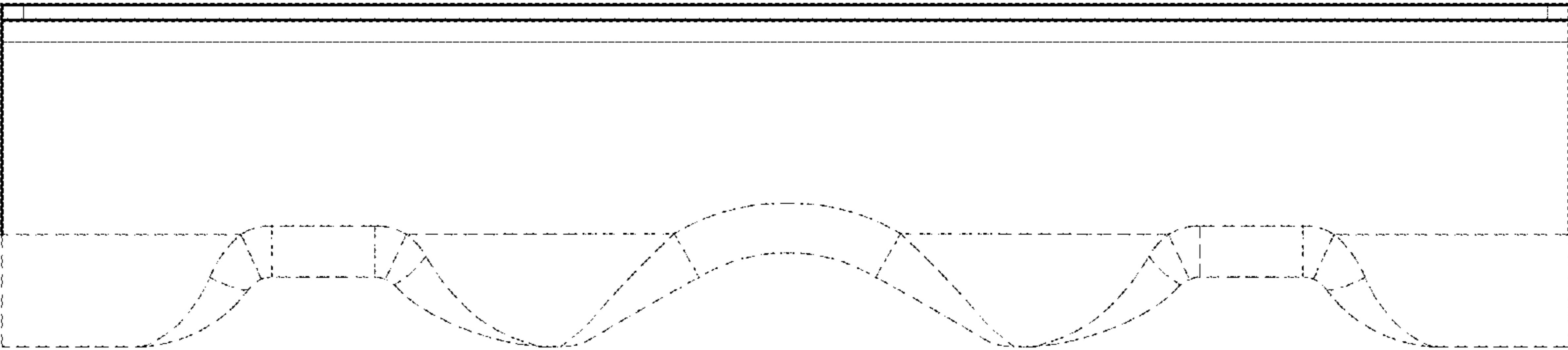
FIG. 2



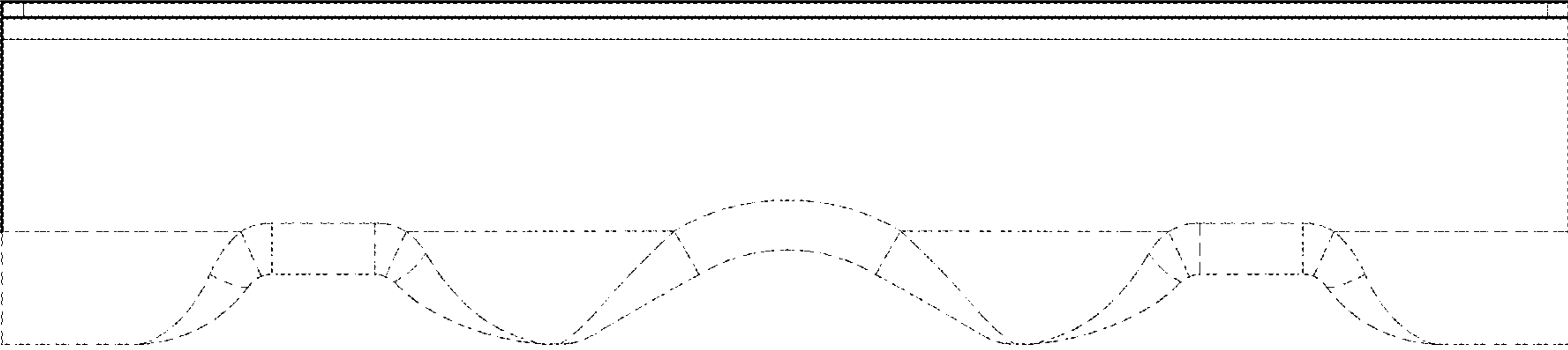
**FIG. 3**



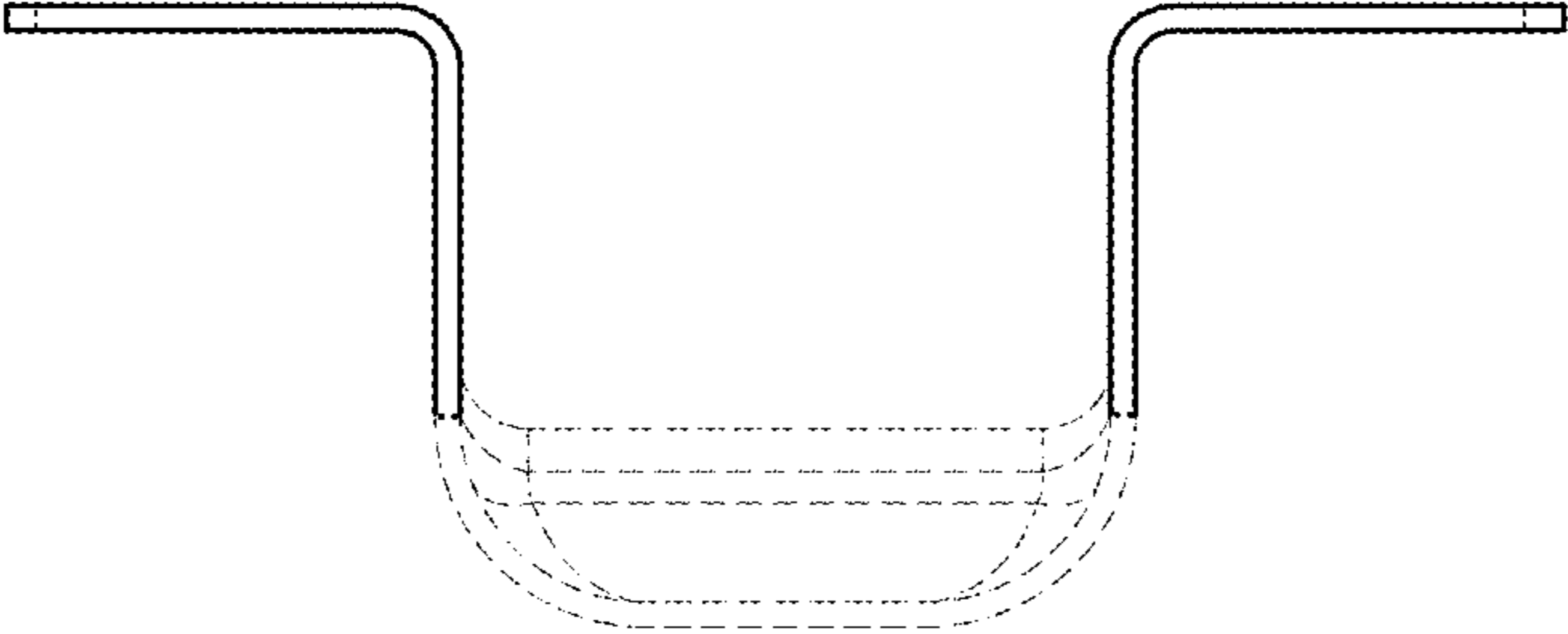
**FIG. 4**



**FIG. 5**



**FIG. 6**



**FIG. 7**