



US00D955864S

(12) **United States Design Patent**  
**Liu**

(10) **Patent No.:** **US D955,864 S**  
(45) **Date of Patent:** **\*\* Jun. 28, 2022**

(54) **SCREW**

(71) Applicant: **Changwei Liu**, Shenzhen (CN)

(72) Inventor: **Changwei Liu**, Shenzhen (CN)

(\*\*) Term: **15 Years**

(21) Appl. No.: **29/751,122**

(22) Filed: **Sep. 18, 2020**

(30) **Foreign Application Priority Data**

Aug. 6, 2020 (CN) ..... 202030444434.7

(51) **LOC (13) Cl.** ..... **08-08**

(52) **U.S. Cl.**

USPC ..... **D8/382**

(58) **Field of Classification Search**

USPC ..... D8/382, 384, 385, 388, 386, 387

CPC ..... F16B 23/0007; F16B 23/0015; F16B 23/0023; F16B 23/003; F16B 23/0038; F16B 23/0046; F16B 23/0053; F16B 23/0061; F16B 23/0069; F16B 23/0076; F16B 19/00; F16B 19/02; F16B 25/001; F16B 25/0015; F16B 25/0021; F16B 25/0026; F16B 25/0031; F16B 25/0036; F16B 25/0042; F16B 33/00; F16B 33/006; F16B 33/008; F16B 33/02; F16B 35/002; F16B 35/005; F16B 35/007; F16B 35/02; F16B 35/04; F16B 35/041; F16B 35/042; F16B 35/044; F16B 35/045; F16B 35/047; F16B 35/048; F16B 35/06

See application file for complete search history.

(56) **References Cited**

U.S. PATENT DOCUMENTS

2,195,598 A \* 4/1940 Olson ..... F16B 19/02  
29/520

2,418,960 A \* 4/1947 Todd ..... F16B 23/0015  
407/56

3,240,100 A \* 3/1966 Rose ..... F16B 19/02  
439/82

4,389,462 A \* 6/1983 Walsh ..... B22F 7/062  
428/564

D283,301 S \* 4/1986 Spitz ..... D8/382

5,092,723 A \* 3/1992 Compton ..... F16B 33/00  
411/166

D415,016 S \* 10/1999 Murguia ..... D8/387

D416,189 S \* 11/1999 Bollman ..... D8/382

D535,180 S \* 1/2007 Tibbenham ..... D8/382

D568,729 S \* 5/2008 Gary ..... D8/382

D571,645 S \* 6/2008 Skoog ..... D8/382

7,393,169 B2 \* 7/2008 Sußenbach ..... F16B 29/00  
411/51

D642,548 S \* 8/2011 Bowen, III ..... D8/382

D642,901 S \* 8/2011 Li ..... D8/387

(Continued)

**FOREIGN PATENT DOCUMENTS**

CN 301156091 \* 3/2010

CN 301802248 \* 1/2012

(Continued)

*Primary Examiner* — Sheryl Lane

*Assistant Examiner* — Ieisha N Price

(57) **CLAIM**

The ornamental design for a screw, as shown and described.

**DESCRIPTION**

FIG. 1 is a perspective view of a screw showing my new design;

FIG. 2 is another perspective view thereof;

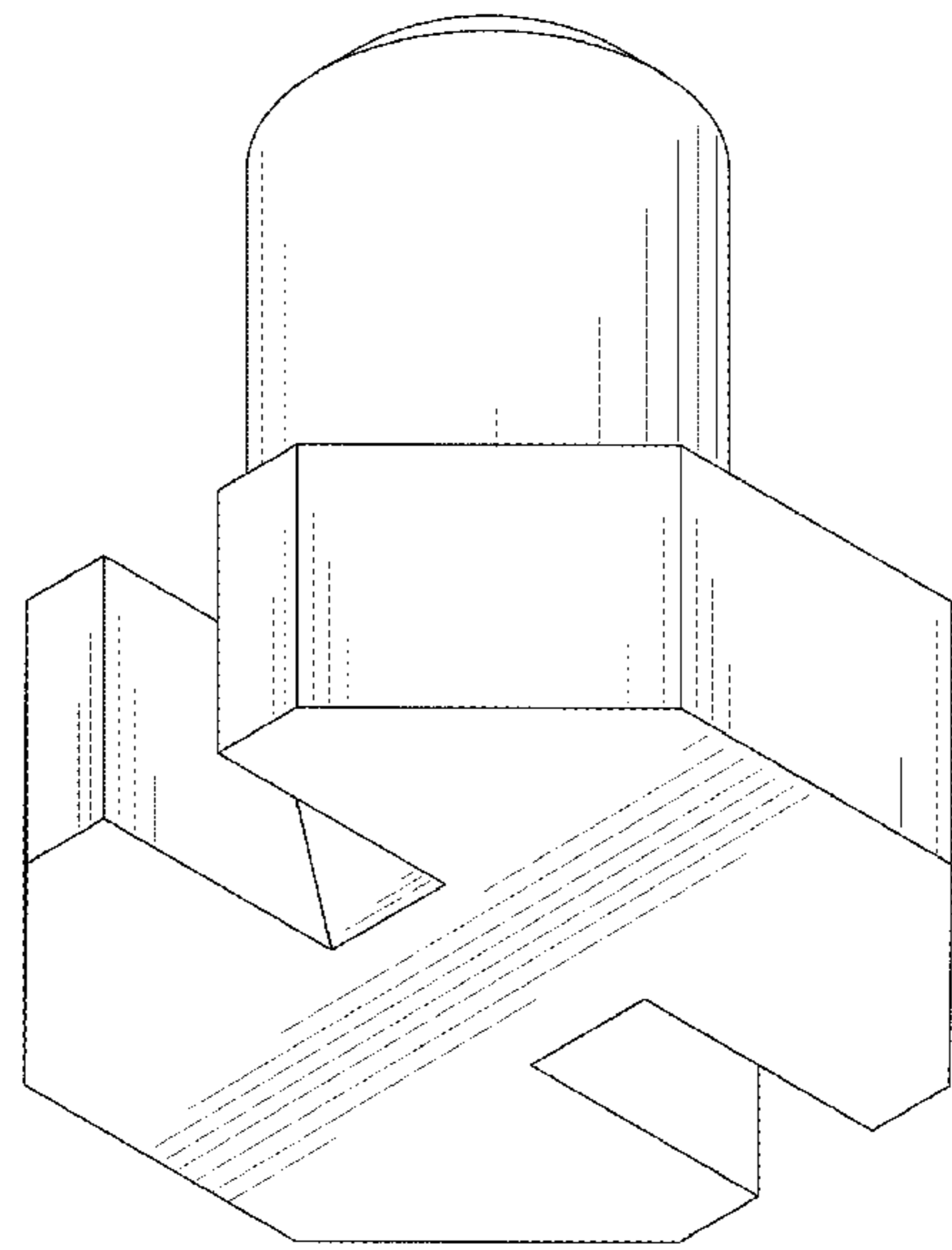
FIG. 3 is a left side view thereof with the right side view being a mirror image of;

FIG. 4 is a front view thereof with the rear view being a mirror image of;

FIG. 5 is a top plan view thereof; and,

FIG. 6 is a bottom plan view thereof.

**1 Claim, 6 Drawing Sheets**



(56)

References Cited

U.S. PATENT DOCUMENTS

D648,210 S \* 11/2011 Reynoso ..... D8/382  
 D664,027 S \* 7/2012 Vosika ..... D8/382  
 D752,952 S \* 4/2016 Barz ..... D8/382  
 D761,095 S \* 7/2016 van der Hoeff ..... D8/382  
 9,943,944 B1 \* 4/2018 Miller ..... B24B 47/04  
 10,221,946 B1 \* 3/2019 Pai ..... G05G 5/08  
 D938,266 S \* 12/2021 Jones ..... D8/382  
 2003/0210968 A1 \* 11/2003 Miyamura ..... F16B 43/005  
 411/352  
 2004/0179920 A1 \* 9/2004 Ando ..... F16B 33/006  
 411/501  
 2007/0098520 A1 \* 5/2007 Schraer ..... F16B 35/048  
 411/179  
 2007/0172331 A1 \* 7/2007 Chang ..... A43C 15/161  
 411/292  
 2008/0166203 A1 \* 7/2008 Reynolds ..... F16B 37/14  
 264/274  
 2008/0286067 A1 \* 11/2008 Swayne ..... F16B 33/002  
 411/182  
 2010/0325908 A1 \* 12/2010 Loisel ..... F16B 1/0071  
 33/613

2011/0227266 A1 \* 9/2011 Midali ..... F16B 19/02  
 269/47  
 2013/0149065 A1 \* 6/2013 Huss, Jr. .... F16B 31/027  
 411/6  
 2014/0003882 A1 \* 1/2014 Babej ..... F16B 19/00  
 470/27  
 2014/0003883 A1 \* 1/2014 Osborn ..... F16B 19/00  
 411/500  
 2014/0230228 A1 \* 8/2014 Whitlock ..... B64D 45/02  
 411/371.1  
 2015/0117942 A1 \* 4/2015 Carvalho ..... F16D 1/076  
 403/337  
 2017/0343030 A1 \* 11/2017 Freyermuth ..... F16B 33/004  
 2020/0200206 A1 \* 6/2020 Coetzer ..... F16B 31/021

FOREIGN PATENT DOCUMENTS

CN 303449864 \* 11/2015  
 CN 305310624 \* 8/2019  
 CN 305857820 \* 6/2020  
 CN 307046550 \* 1/2022  
 EM 003142330-0001 \* 5/2016  
 KR 300771195.0000 \* 11/2014  
 RU 00113763 \* 3/2019  
 WO WOD202443-002 \* 8/2019

\* cited by examiner

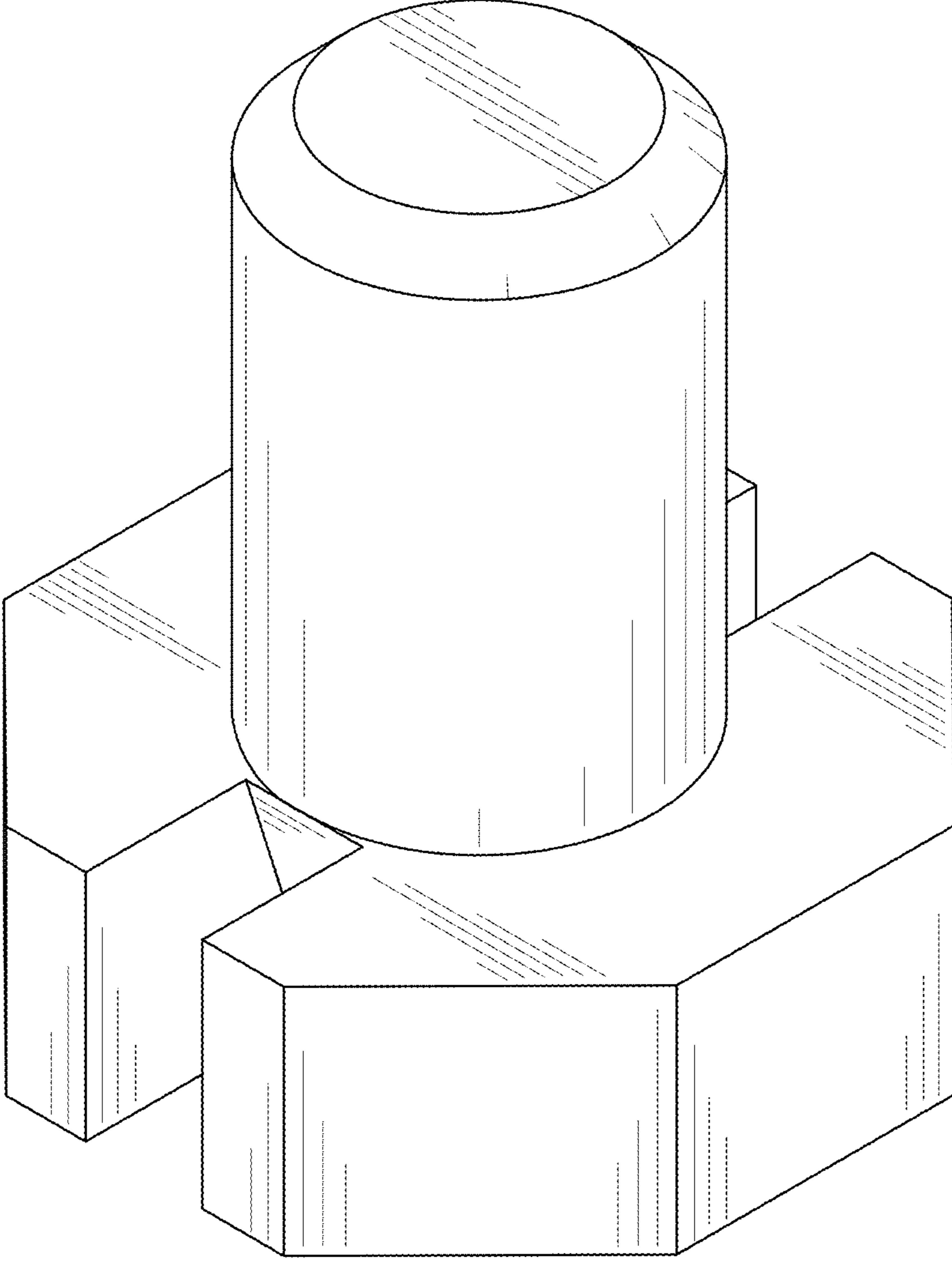


FIG. 1

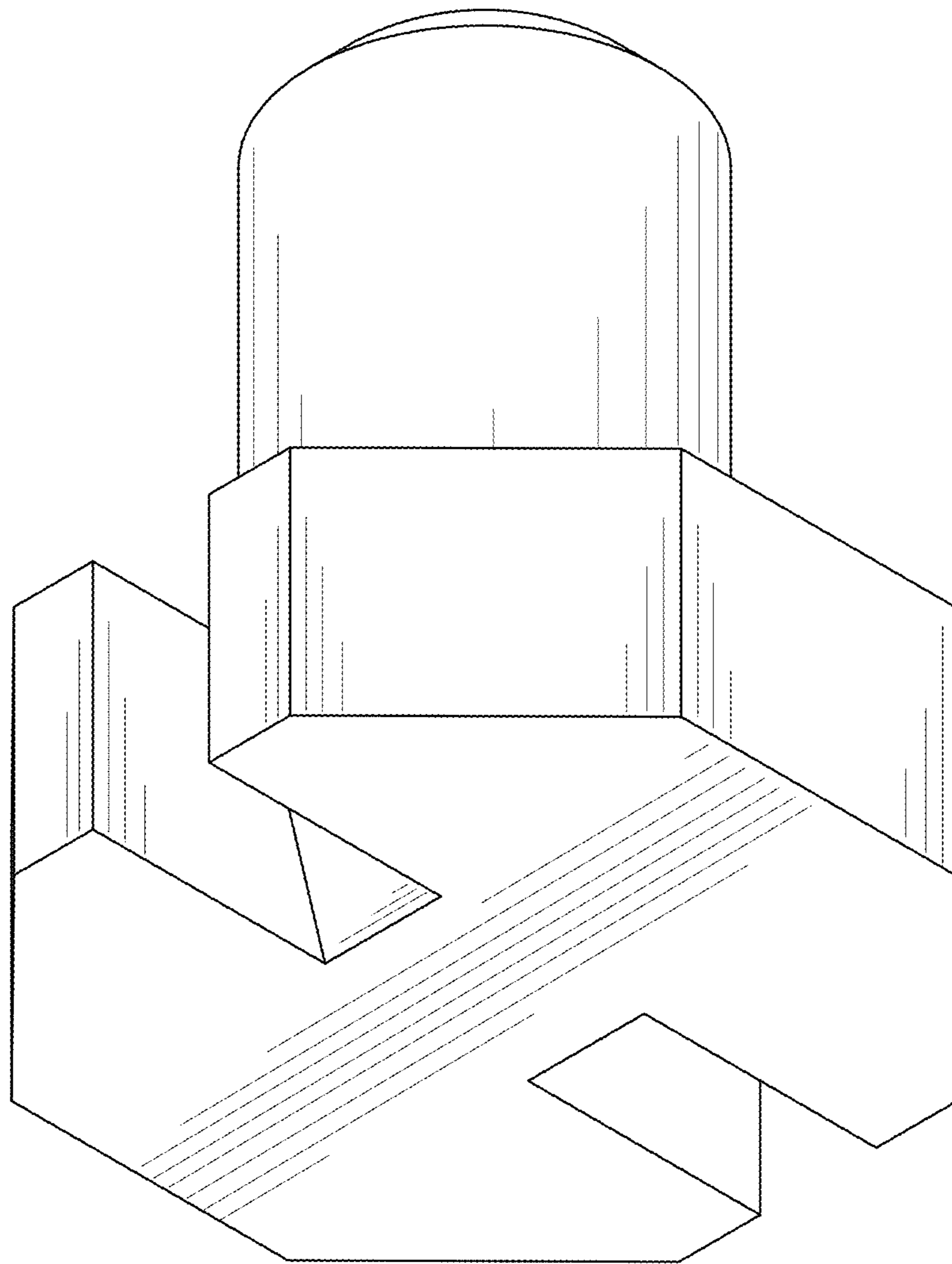


FIG. 2

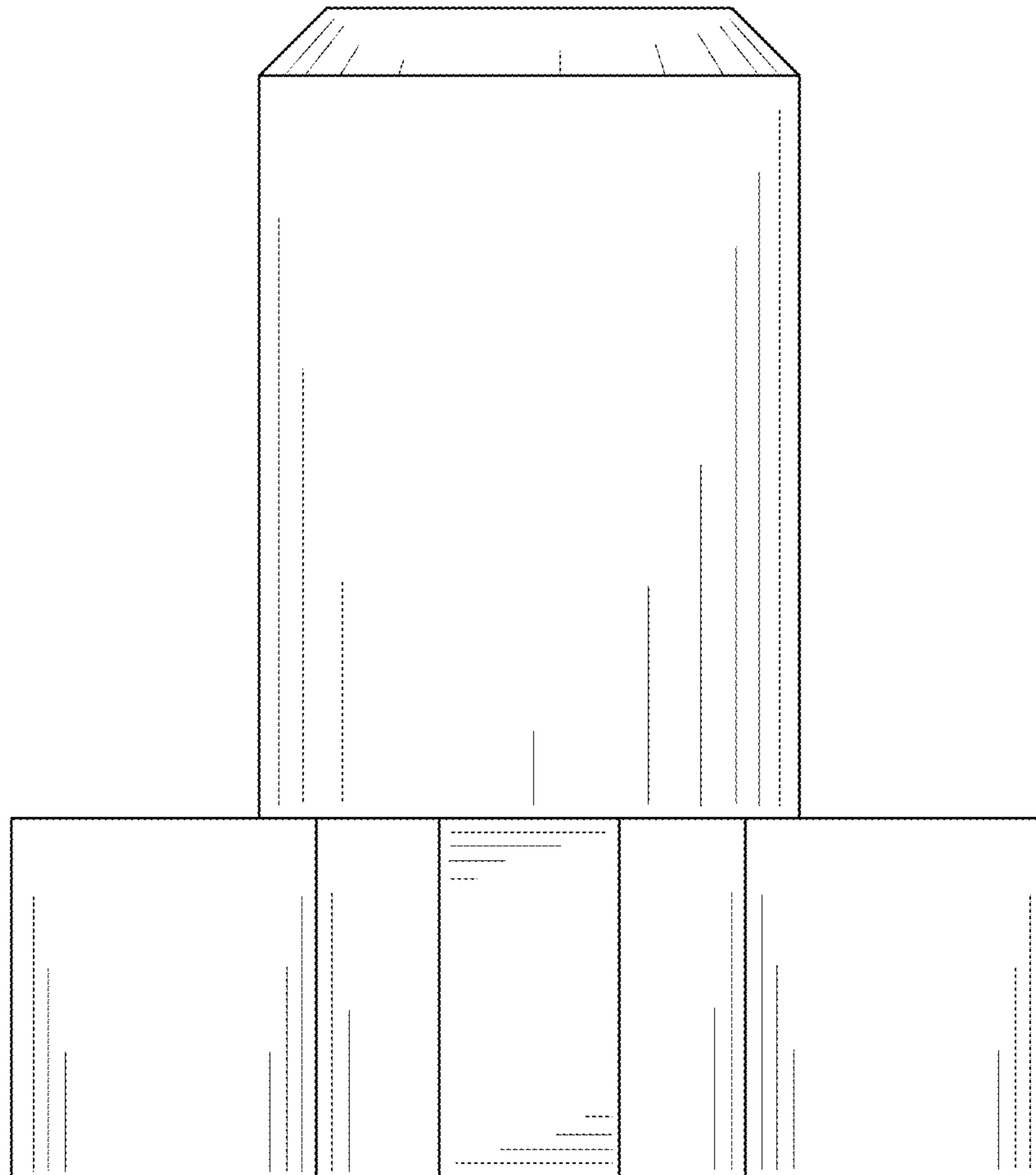


FIG. 3

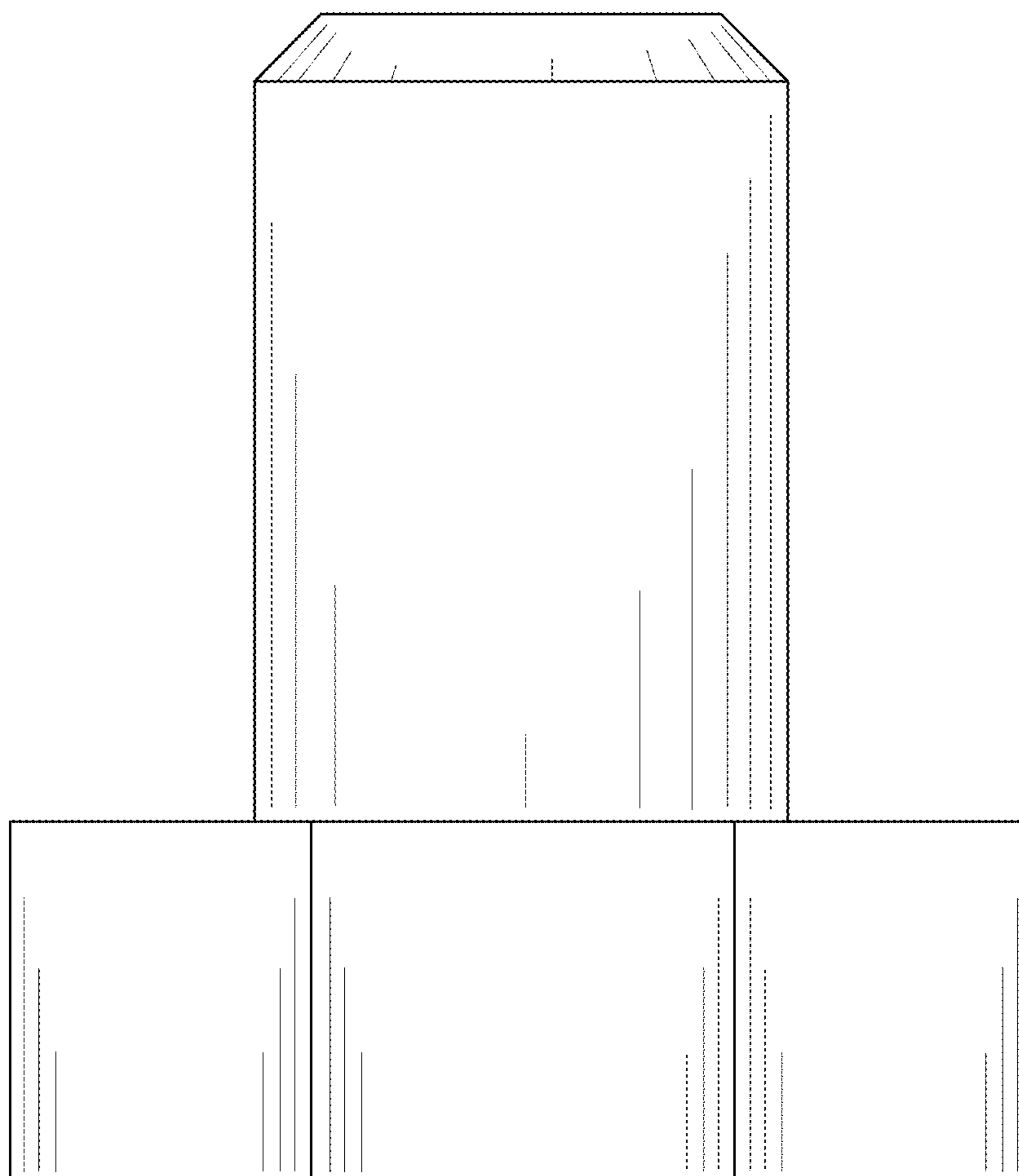


FIG. 4

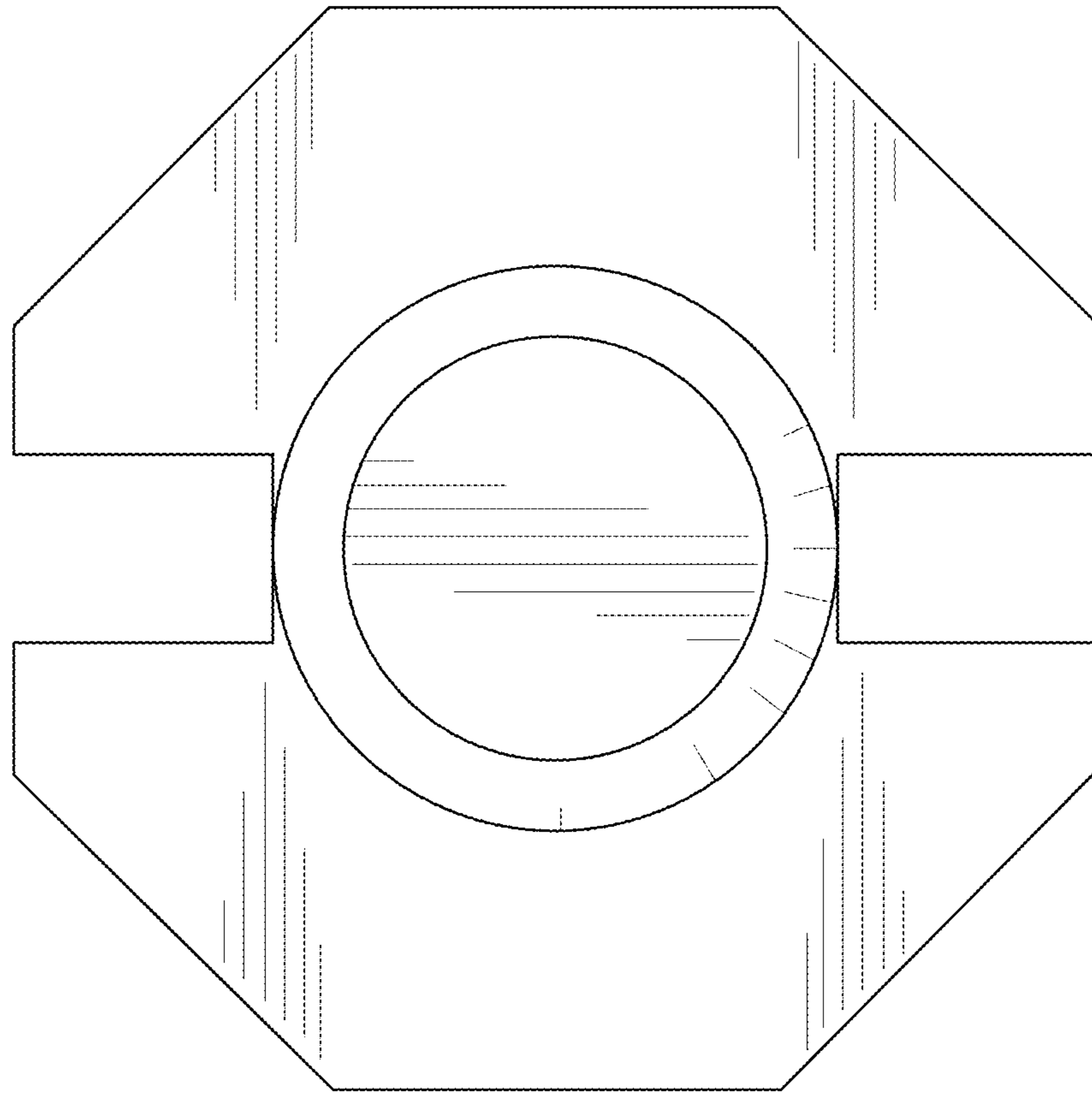


FIG. 5

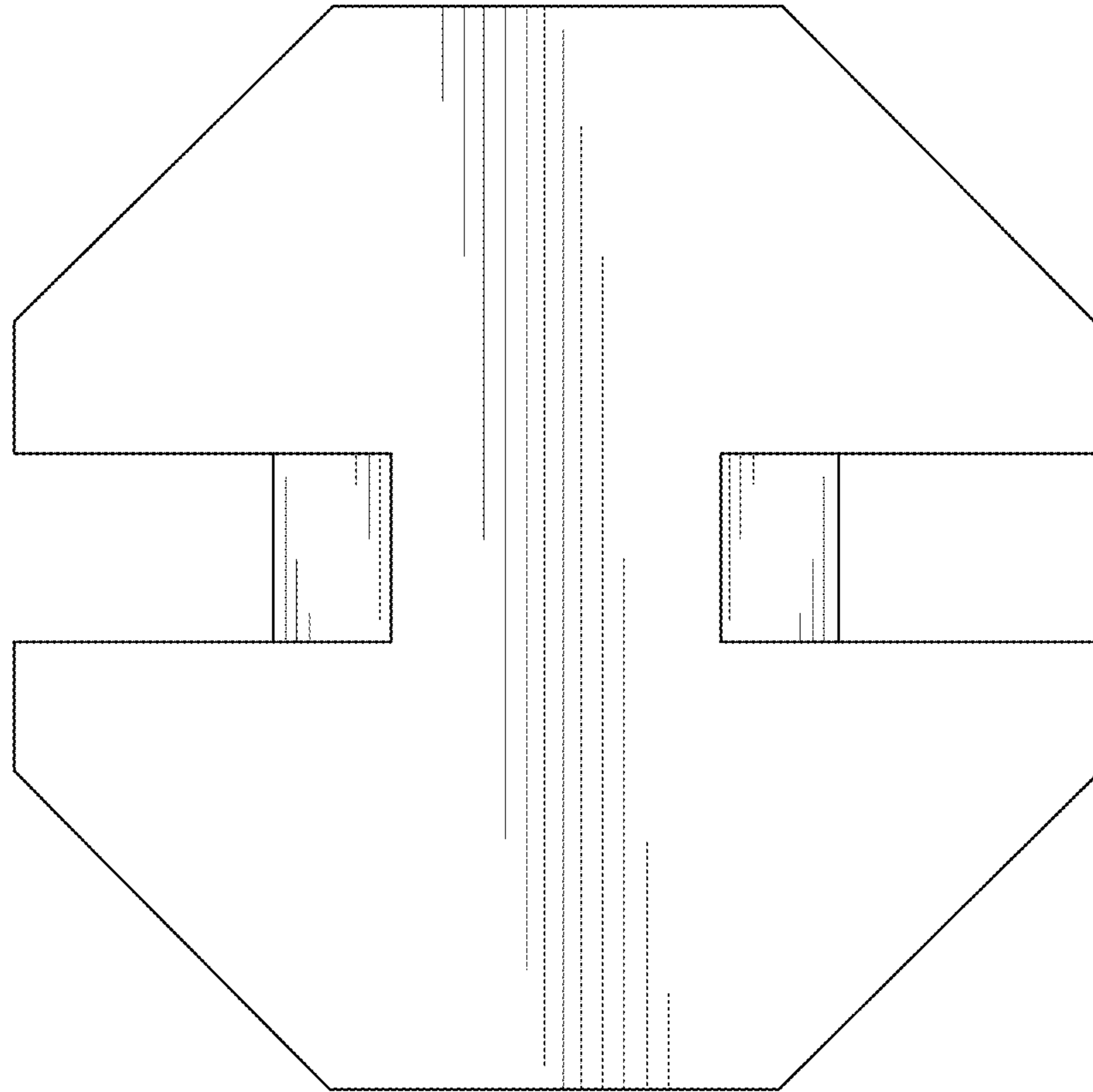


FIG. 6