



US00D955863S

(12) **United States Design Patent**  
**Sawabe et al.**

(10) **Patent No.:** **US D955,863 S**

(45) **Date of Patent:** **\*\* Jun. 28, 2022**

(54) **MOUNTING BRACKET FOR IMAGE SENSOR**

(71) Applicant: **Mitsubishi Electric Corporation,**  
Tokyo (JP)

(72) Inventors: **Toshiyuki Sawabe,** Tokyo (JP);  
**Kosaku Yamagata,** Tokyo (JP)

(73) Assignee: **Mitsubishi Electric Corporation,**  
Tokyo (JP)

(\*\*) Term: **15 Years**

(21) Appl. No.: **29/656,491**

(22) Filed: **Jul. 12, 2018**

(30) **Foreign Application Priority Data**

Mar. 26, 2018 (JP) ..... 2018-006371  
Mar. 26, 2018 (JP) ..... 2018-006372  
Mar. 26, 2018 (JP) ..... 2018-006373

(51) **LOC (13) Cl.** ..... **08-05**

(52) **U.S. Cl.**  
USPC ..... **D8/380**

(58) **Field of Classification Search**  
USPC ..... D25/119; D8/330, 349, 350, 354, 355,  
D8/356, 363, 367, 380, 382, 383  
CPC ..... E05D 15/0669; E05D 15/0691  
See application file for complete search history.

(56) **References Cited**

**U.S. PATENT DOCUMENTS**

D451,786 S \* 12/2001 Wyatt ..... D8/354  
D616,276 S \* 5/2010 Friegang ..... D8/72  
D666,894 S \* 9/2012 Bombino ..... D8/354  
D727,716 S \* 4/2015 Langle ..... D8/355  
D735,017 S \* 7/2015 Langle ..... D8/355  
D817,151 S \* 5/2018 Jensen ..... D8/354  
D824,754 S \* 8/2018 Minkovich ..... D8/380

D833,263 S \* 11/2018 Minkovich ..... D8/380  
D885,389 S \* 5/2020 Sawabe ..... D14/420  
D931,087 S \* 9/2021 Yu ..... D8/363  
D932,880 S \* 10/2021 Trammell ..... D8/373  
2020/0374412 A1 \* 11/2020 Sawabe ..... H04N 5/2257

\* cited by examiner

*Primary Examiner* — Keli L Hill

*Assistant Examiner* — Harold E Blackwell, II

(74) *Attorney, Agent, or Firm* — Studebaker & Brackett  
PC

(57) **CLAIM**

The ornamental design for a mounting bracket for image sensor, as shown and described.

**DESCRIPTION**

FIG. 1 is a top, front, and right side perspective view of a mounting bracket for image sensor showing the first embodiment our new design;

FIG. 2 is a bottom, rear, and left side perspective view thereof;

FIG. 3 is a front view thereof;

FIG. 4 is a left side view thereof;

FIG. 5 is a right side view thereof;

FIG. 6 is a top view thereof;

FIG. 7 is a bottom view thereof;

FIG. 8 is another bottom view thereof, showing the plane from which FIG. 9 cross-section is taken;

FIG. 9 is a sectional view taken along combined line A-B-C-D of FIG. 8; and,

FIG. 10 is an alternate perspective view thereof, shown in use.

The rear views are omitted because they are symmetrical to the front views. The broken line showing of the bar in FIG. 10 is included for the purpose of illustrating environment of the article; all other broken lines illustrate portions of the mounting bracket for image sensor which form no part of the claimed design.

**1 Claim, 10 Drawing Sheets**

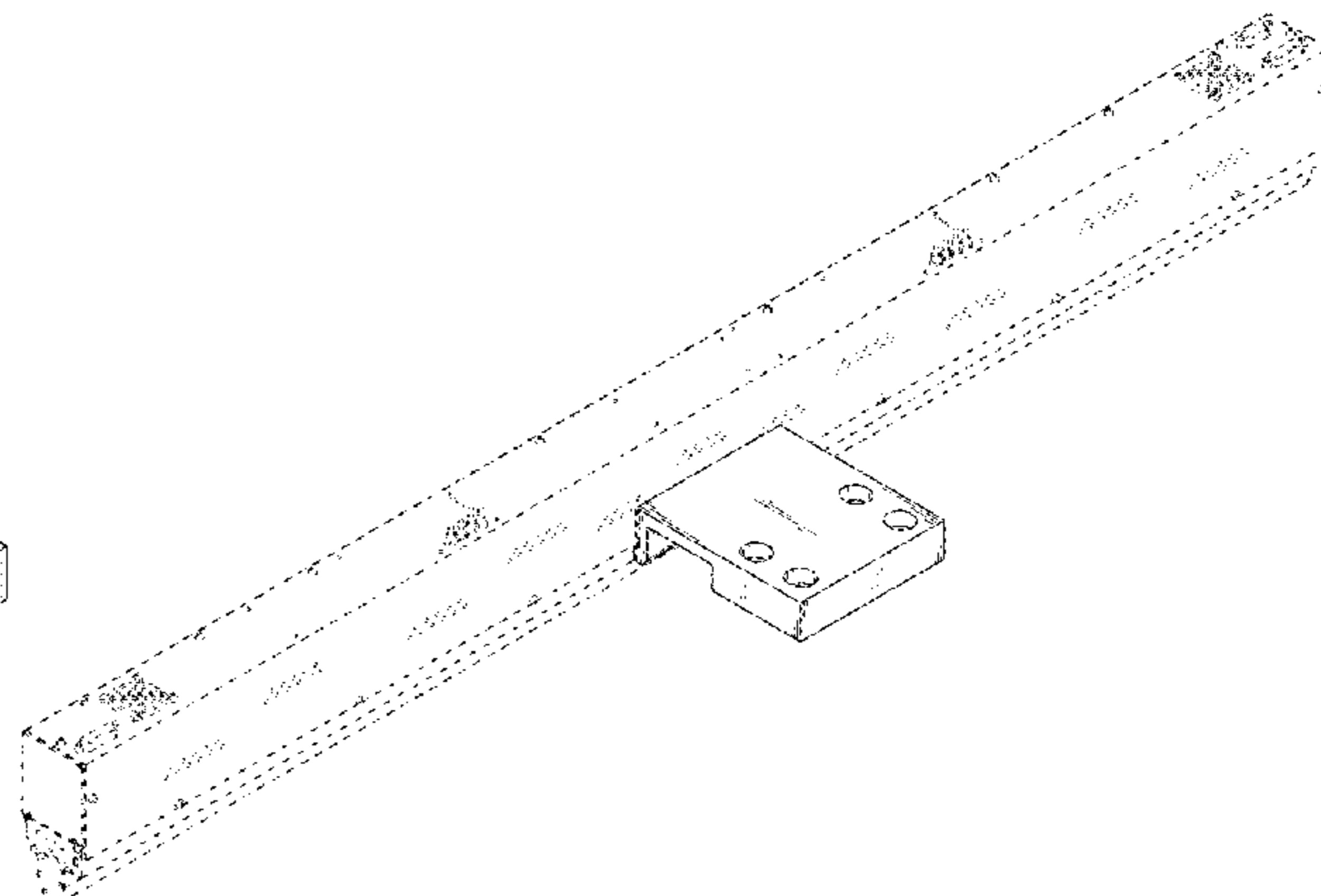
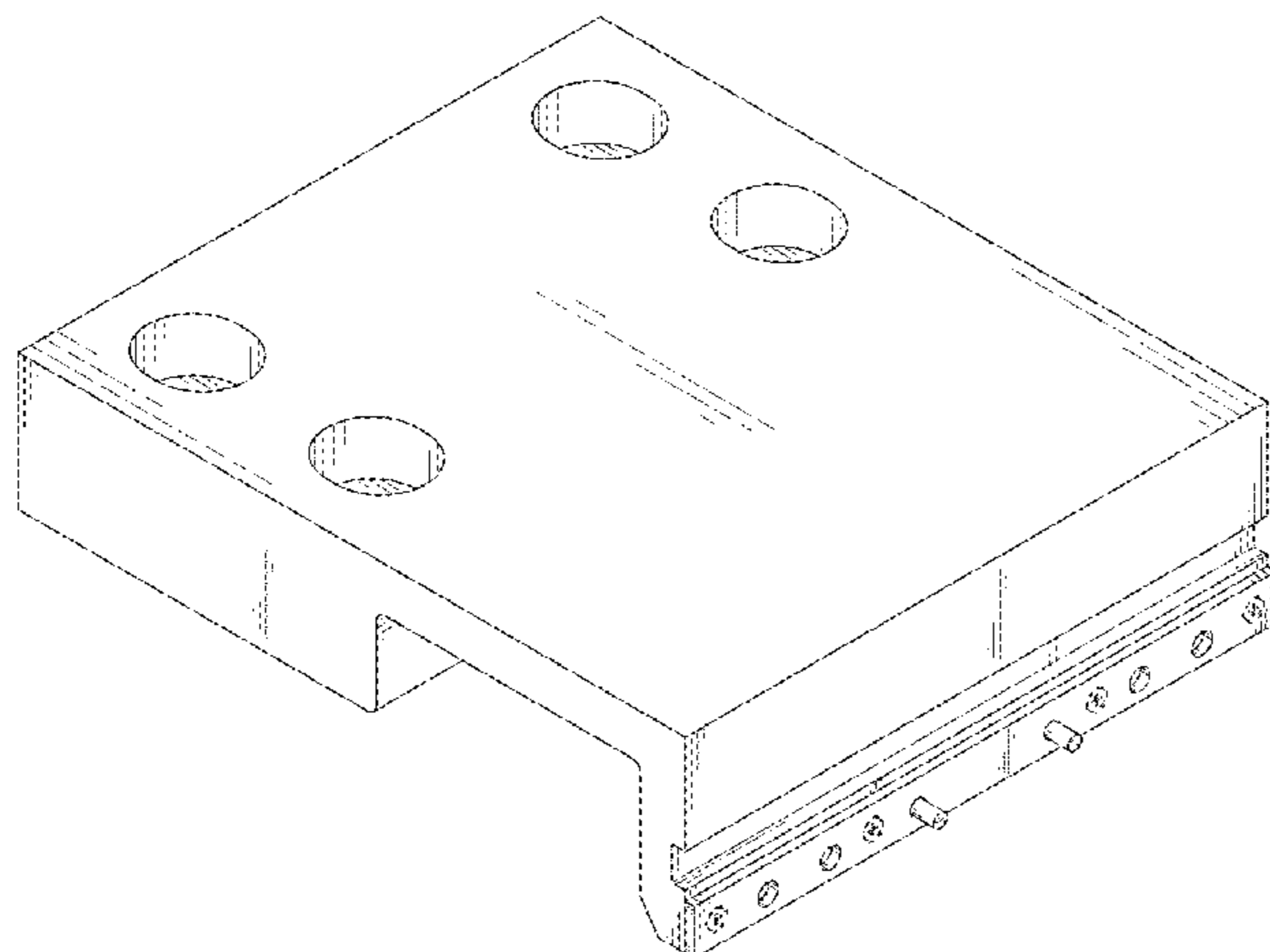


Fig. 1

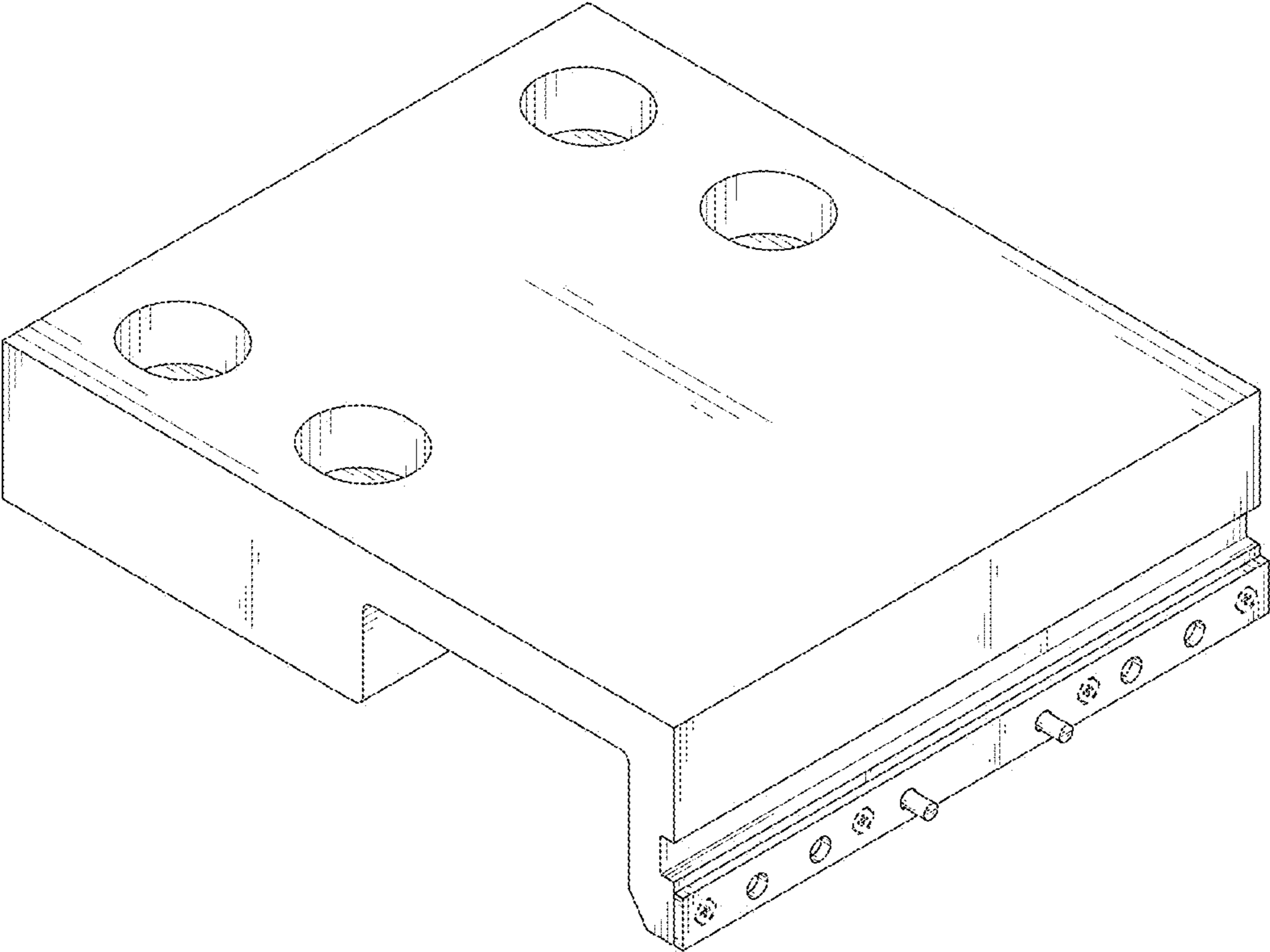


Fig.2

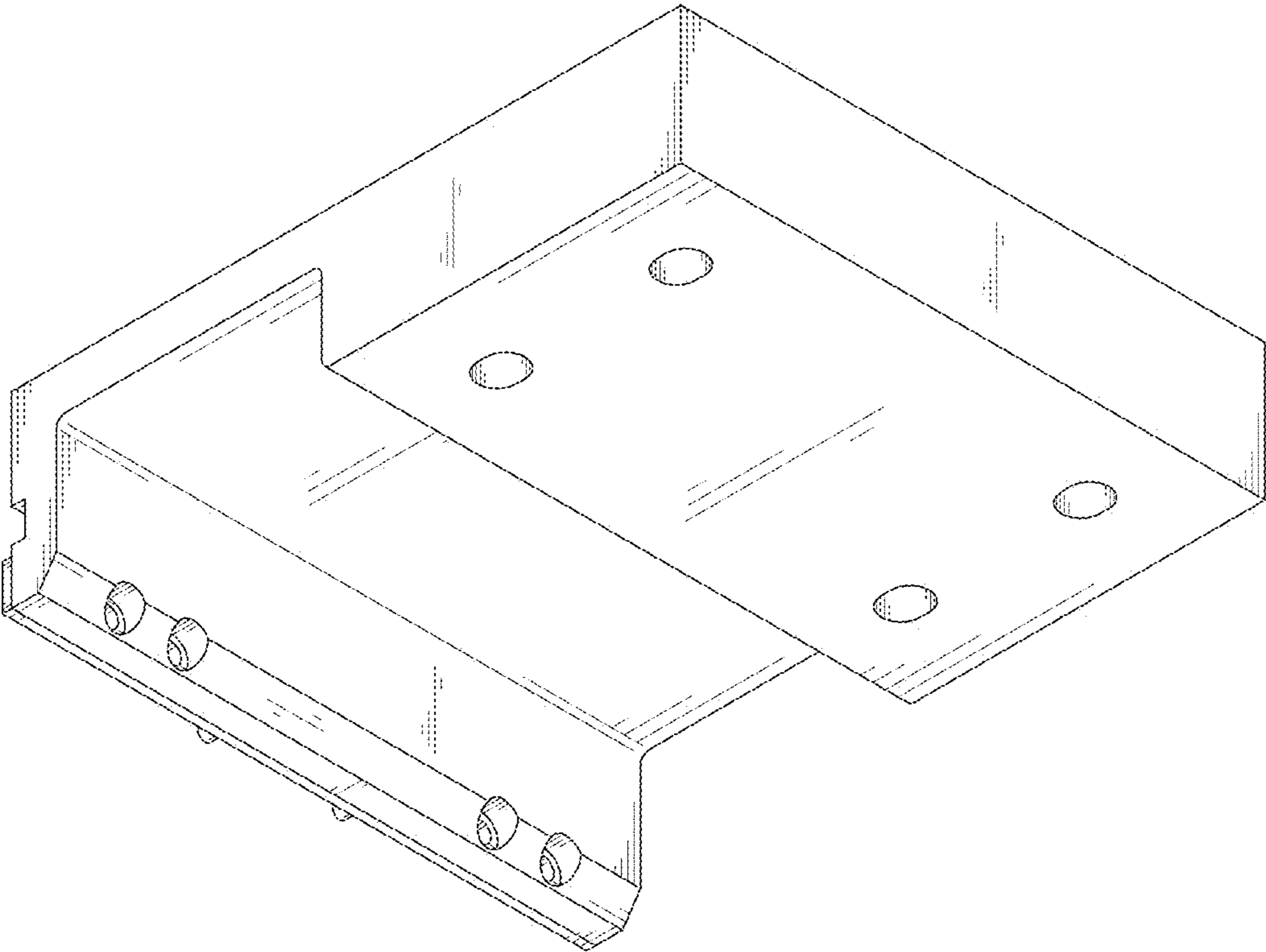


Fig.3

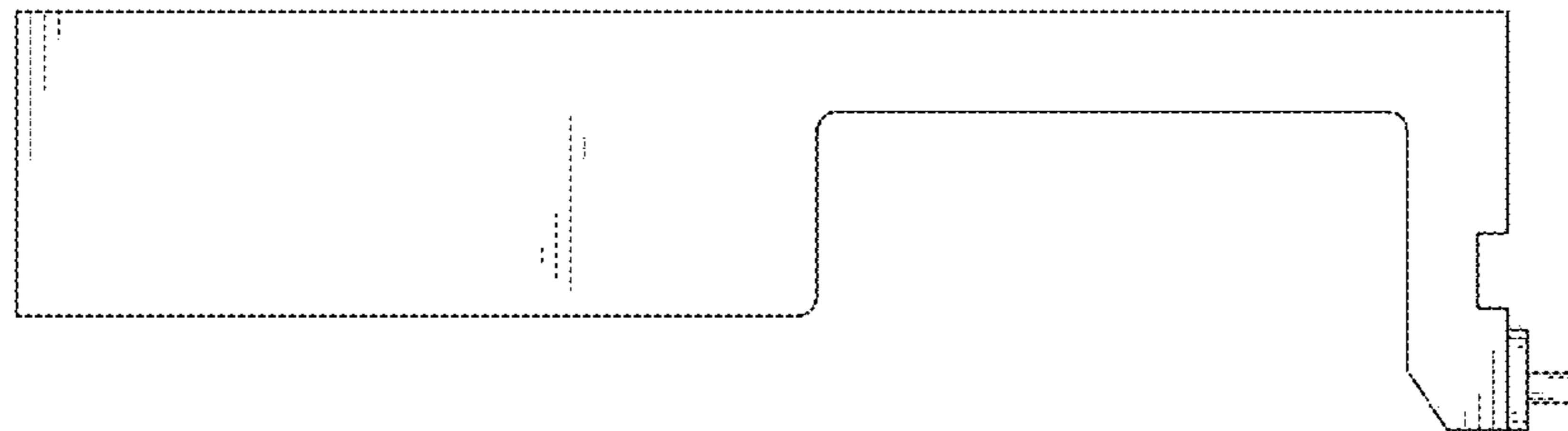


Fig.4

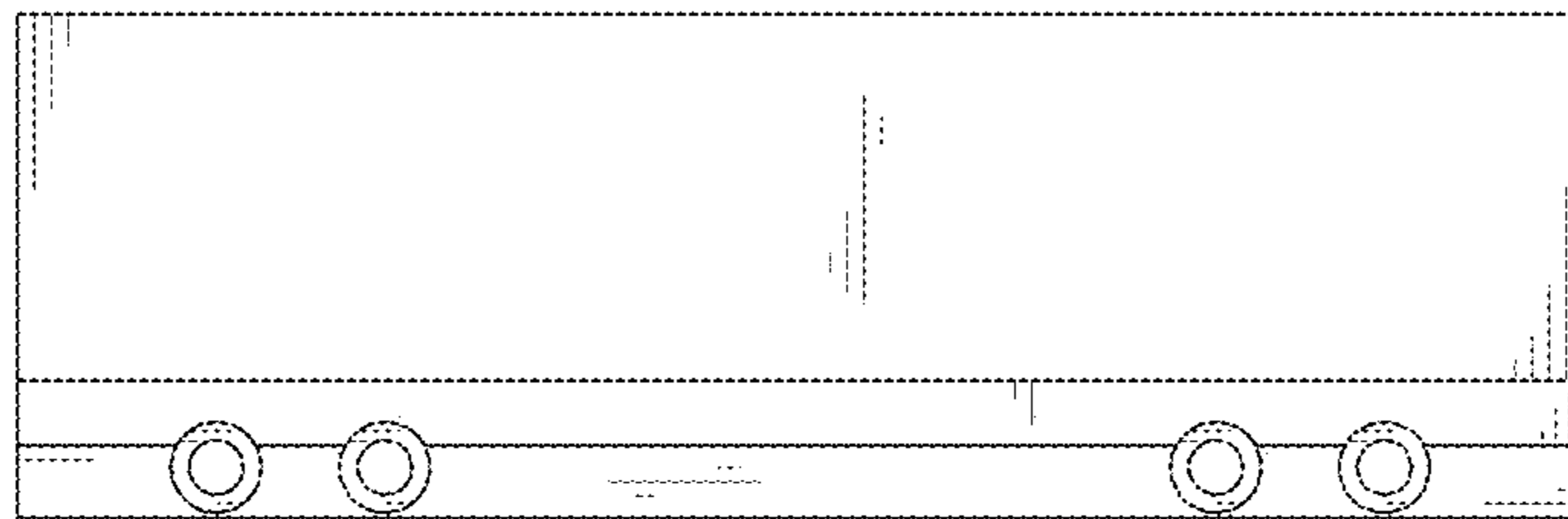


Fig.5

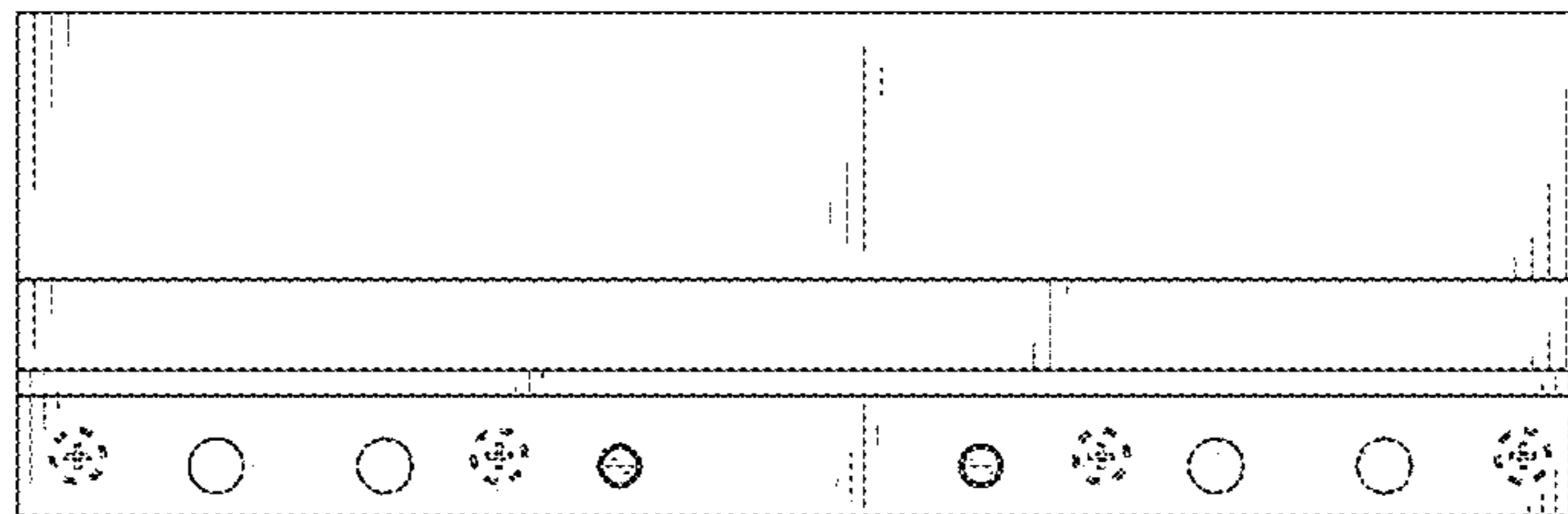


Fig.6

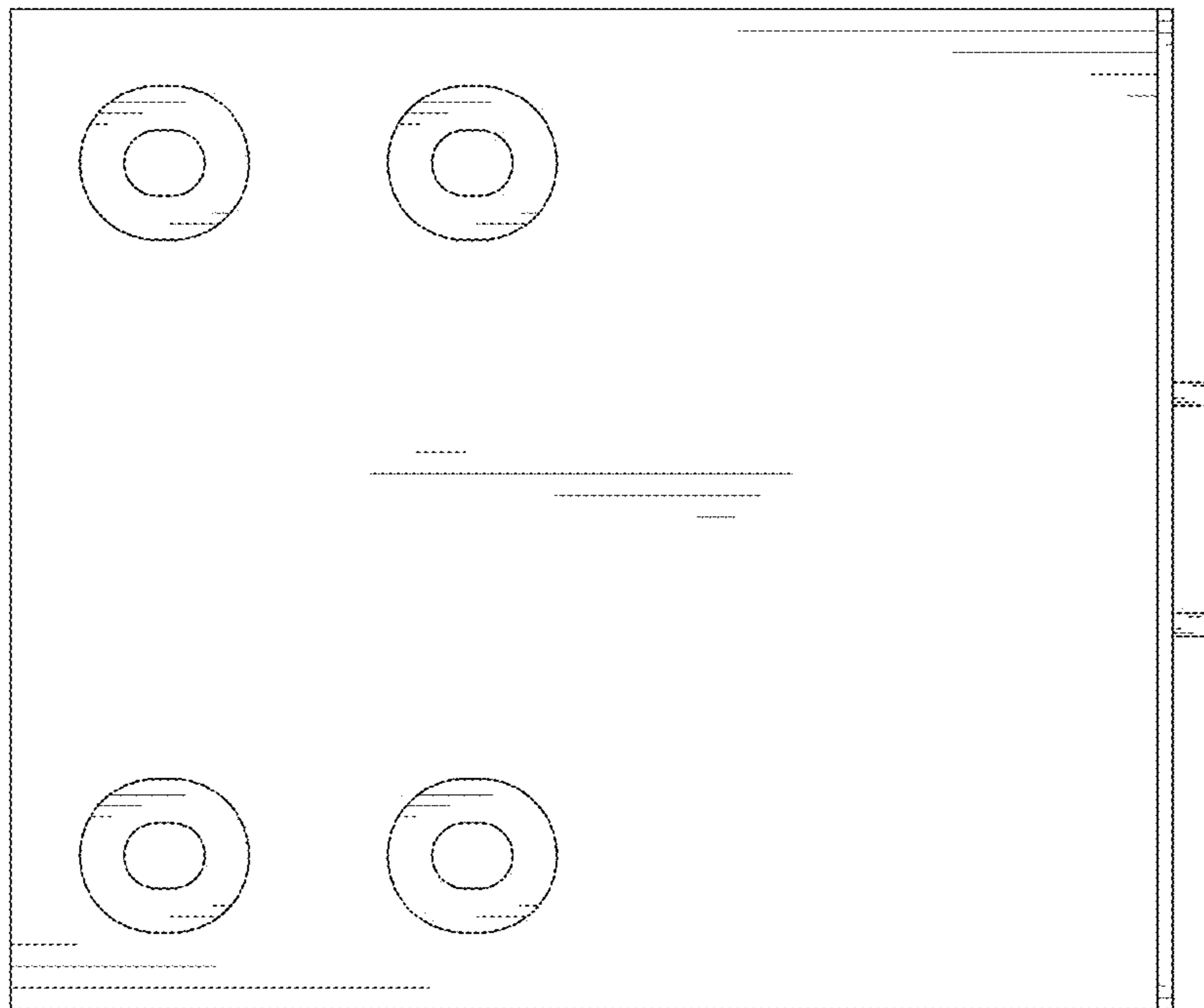


Fig.7

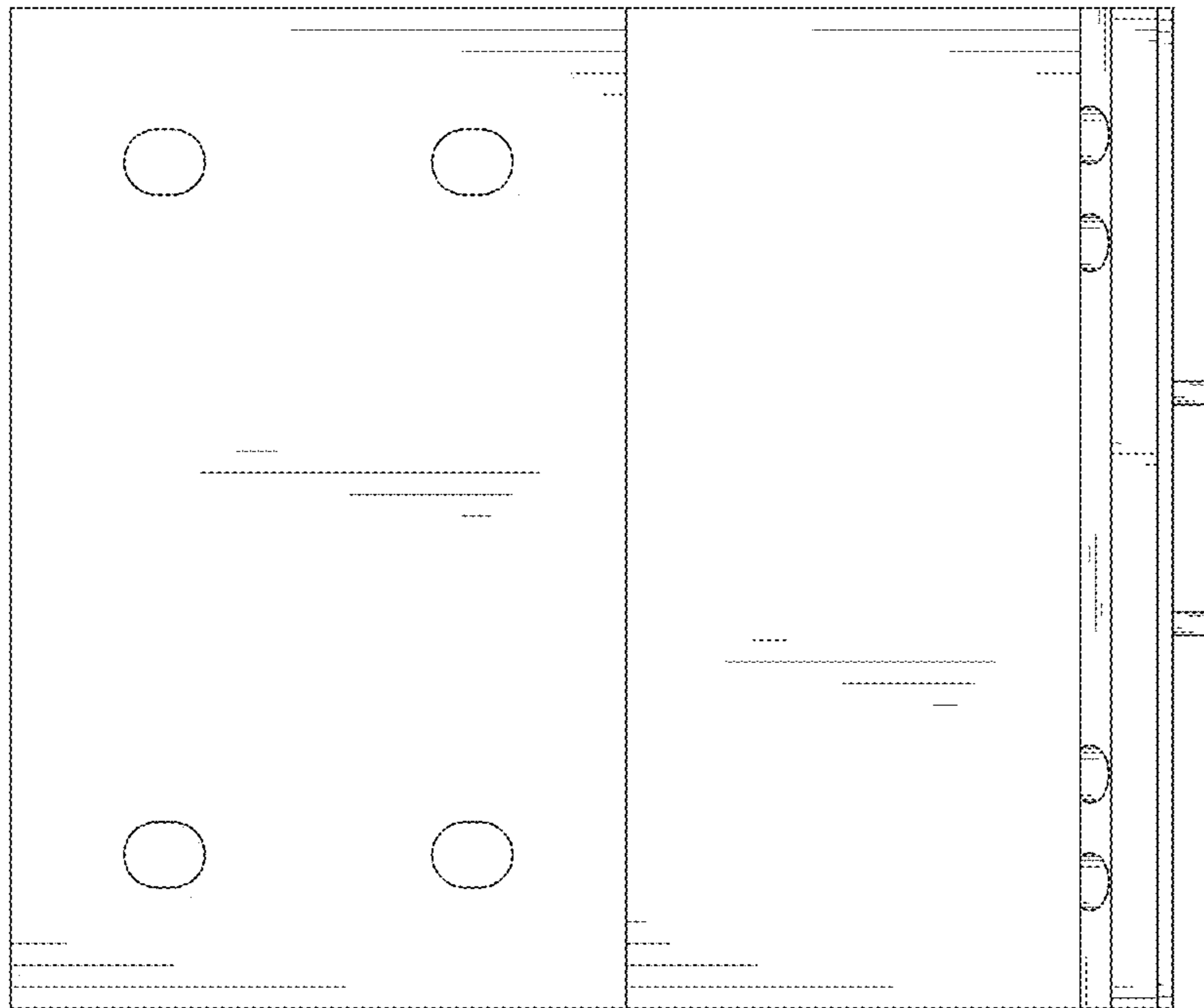




Fig.8

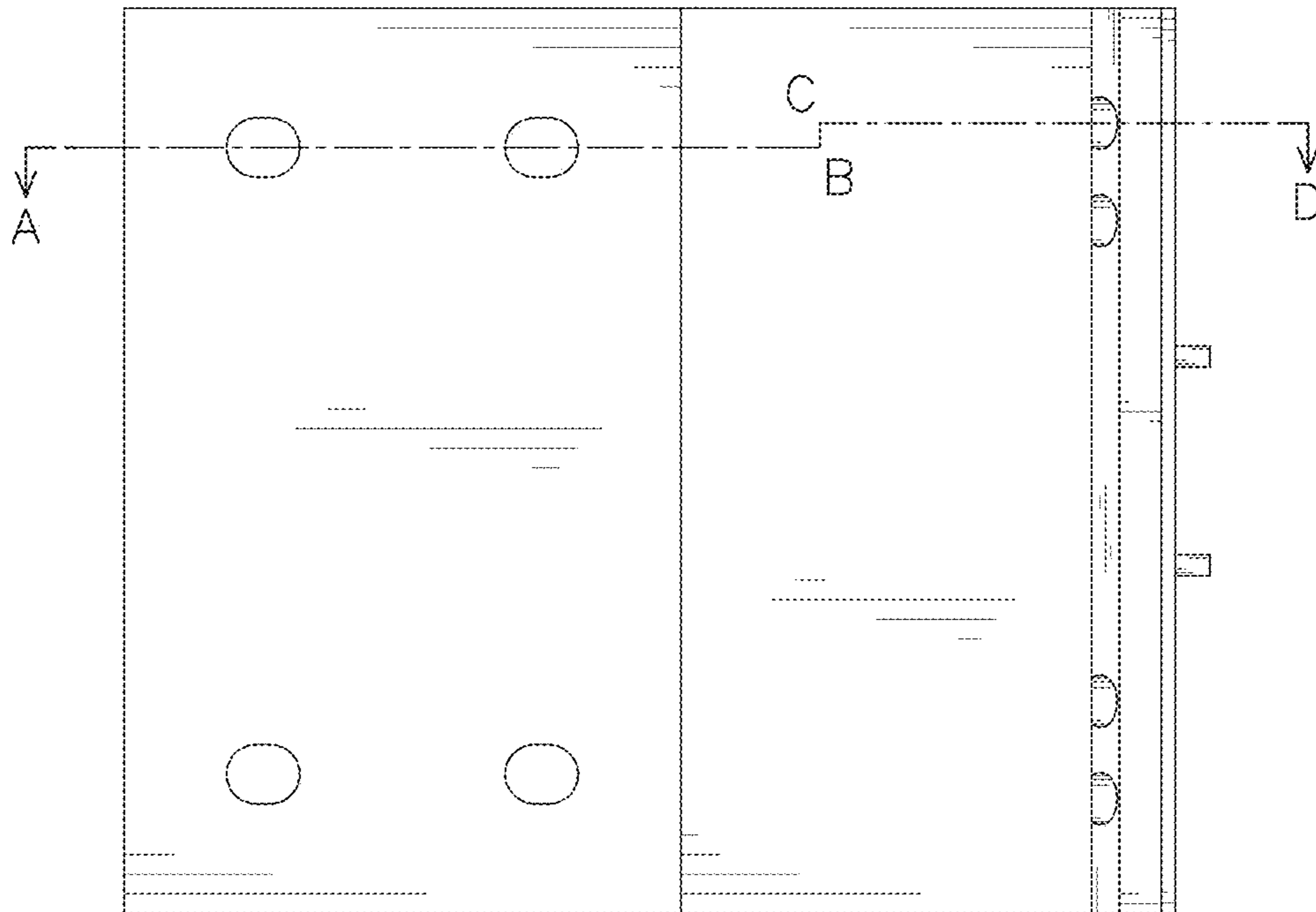


Fig.9

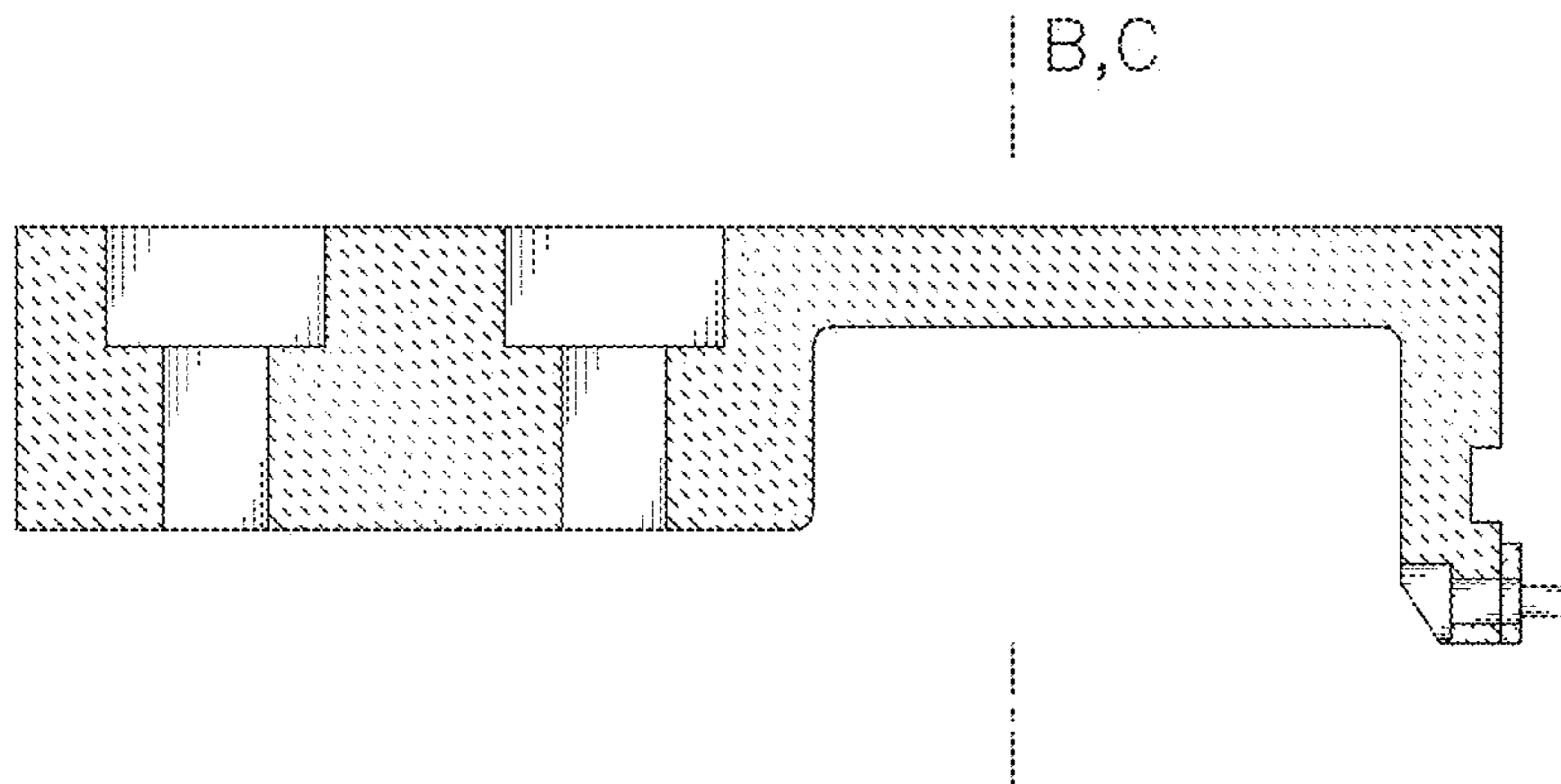


Fig.10

