



US00D955862S

(12) **United States Design Patent** (10) **Patent No.:** **US D955,862 S**
Von Bordelius et al. (45) **Date of Patent:** **** Jun. 28, 2022**

- (54) **RUNNER PIN FOR A ROLLER** 3,687,241 A 8/1972 Fontana
- 4,120,071 A 10/1978 Crescenzi
- (71) Applicant: **GROSS + FROELICH GMBH & CO., Weil der Stadt (DE)** 4,129,921 A 12/1978 Greene
- 4,361,930 A 12/1982 Seesengood
- 4,377,883 A * 3/1983 Folson B60B 33/0028 16/38
- (72) Inventors: **Ralph Von Bordelius, Herrenberg (DE); Oswald Flik, Althengstett (DE)** 4,749,204 A 6/1988 Raw
- D349,043 S * 7/1994 Carlson D8/375
- 5,390,394 A 2/1995 Huang
- (73) Assignee: **Gross + Froelich GmbH & Co., Weil der Stadt (DE)** 5,568,671 A 10/1996 Harris et al.
- D448,278 S * 9/2001 Chi D12/133
- D457,421 S * 5/2002 Koepke D8/375
- (**) Term: **15 Years** (Continued)

- (21) Appl. No.: **29/669,508**
- (22) Filed: **Nov. 8, 2018**

FOREIGN PATENT DOCUMENTS

- EP 1 527 905 A2 5/2005
- GB 2 182 554 A 5/1987
- WO WO 8200977 A1 4/1982

Related U.S. Application Data

- (63) Continuation of application No. 12/735,480, filed as application No. PCT/EP2008/066116 on Nov. 25, 2008, now abandoned.
- (51) **LOC (13) Cl.** **08-05**
- (52) **U.S. Cl.** **D8/375**
- USPC **D8/375**
- (58) **Field of Classification Search**
- USPC D8/354, 366, 371, 372, 367, 374, 373, D8/376, 375; D17/9, 20, 99; D6/708.16, D6/710
- CPC B60B 33/001; B60B 33/0021; B60B 33/0002
- See application file for complete search history.

OTHER PUBLICATIONS

- Search Report of German Patent Office, Application No. 10 2008 007 445.4, dated Nov. 26, 2008, 4 pgs.
- Primary Examiner* — Eliza Z Bennett-Hattan
- Assistant Examiner* — Eliza Z Harvey
- (74) *Attorney, Agent, or Firm* — Dickinson Wright PLLC

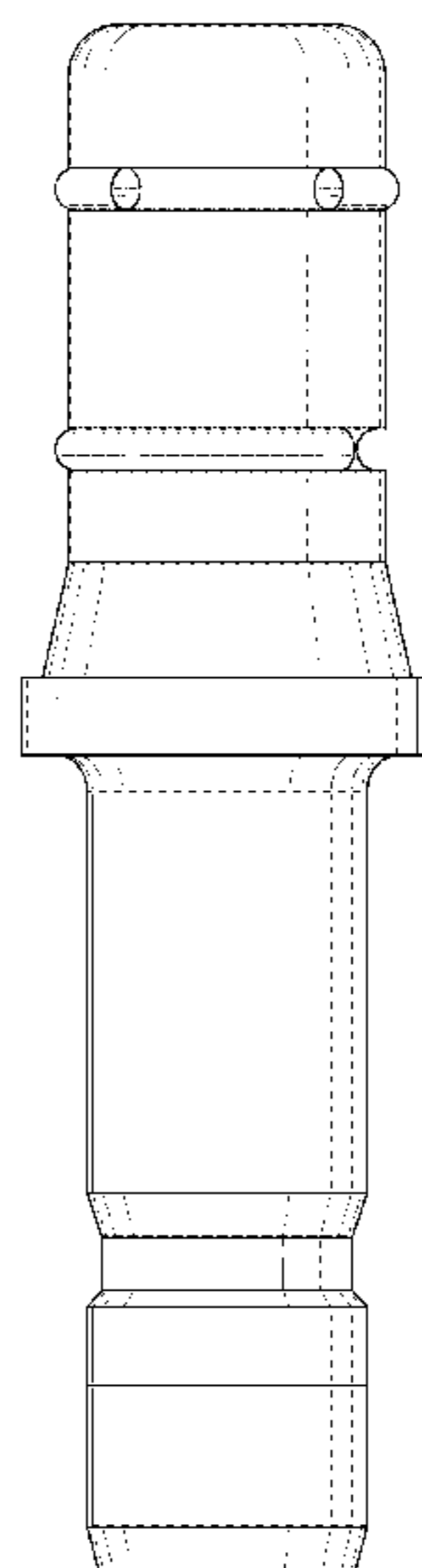
(57) **CLAIM**
The ornamental design for a runner pin for a roller, as shown and described.

DESCRIPTION

FIG. 1 is a front view of the runner pin for a roller of the present invention;
FIG. 2 is a rear view of the runner pin for a roller shown in FIG. 1;
FIG. 3 is a left view of the runner pin for a roller shown in FIG. 1; and,
FIG. 4 is a right view of the runner pin for a roller shown in FIG. 1.

1 Claim, 4 Drawing Sheets

- (56) **References Cited**
- U.S. PATENT DOCUMENTS**
- 134,350 A 12/1872 Bracket
- 972,871 A 10/1910 Kenyon
- 973,514 A 10/1910 Kenyon
- 1,442,223 A 1/1923 Knebusch
- 2,963,732 A 12/1960 Kramcsak, Jr. et al.
- 3,249,960 A 5/1966 Schultz, Jr.
- 3,326,580 A 6/1967 Munier et al.



(56)

References Cited

U.S. PATENT DOCUMENTS

D470,748	S *	2/2003	Tsai	D8/375
6,748,623	B1	6/2004	Tsai	
7,207,084	B2	4/2007	Melara	
D547,639	S *	7/2007	Dayt	D8/375
D561,014	S *	2/2008	Brodbeck	D8/375
D592,490	S *	5/2009	Frame	D8/375
D731,878	S *	6/2015	Lindsay	D8/375
D735,022	S *	7/2015	Fan	D8/375
D901,283	S *	11/2020	Chen	D8/375
D911,828	S *	3/2021	Drerup	D8/375
2003/0150080	A1	8/2003	Yang	
2005/0086765	A1	4/2005	Melara	
2010/0287730	A1 *	11/2010	Von Bordelius	B60B 33/001 16/18 R

* cited by examiner

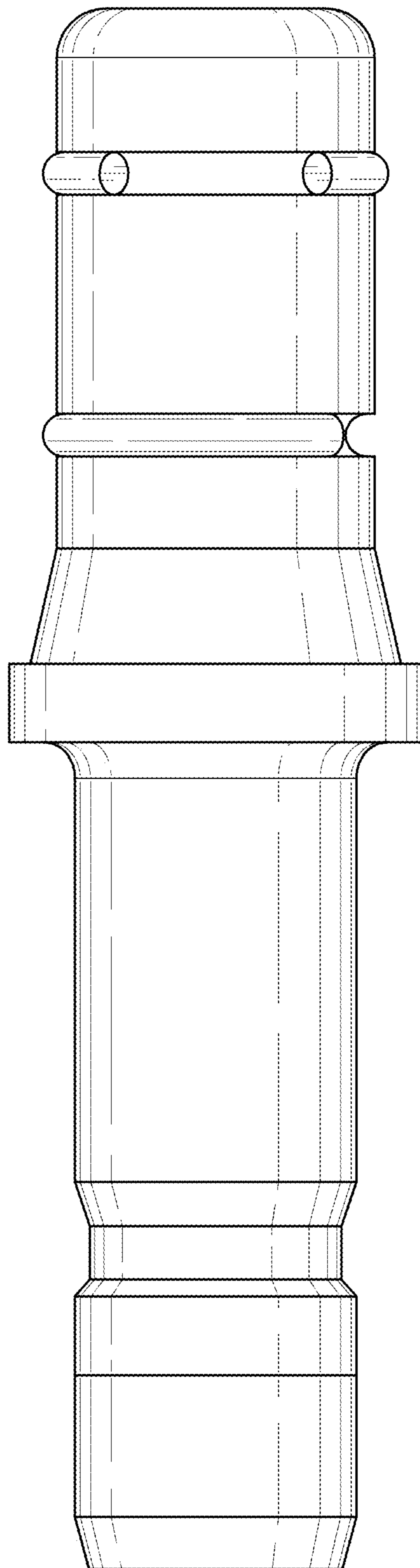


Fig. 1

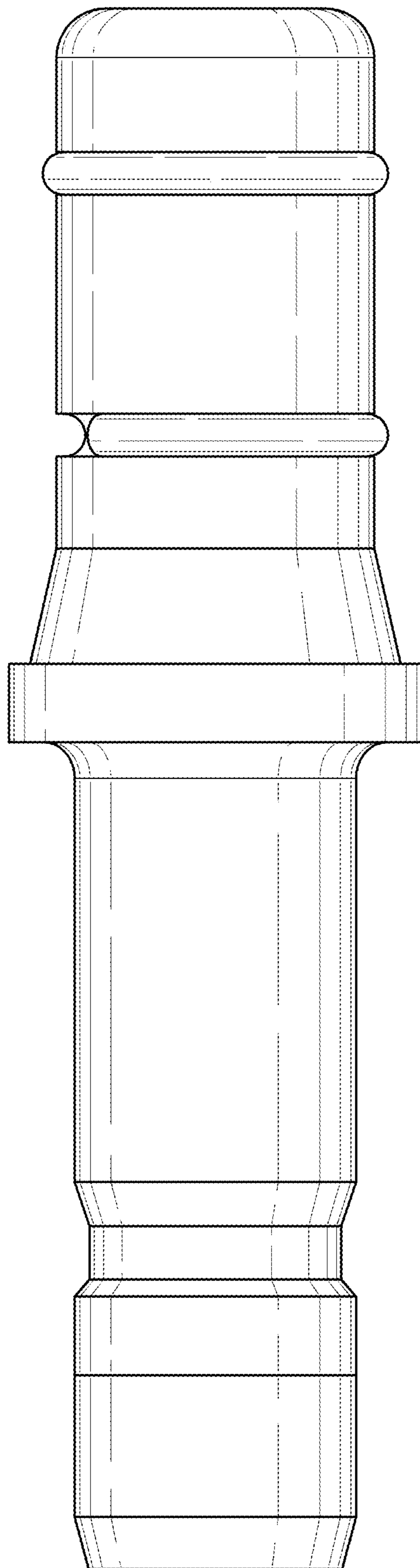


Fig. 2

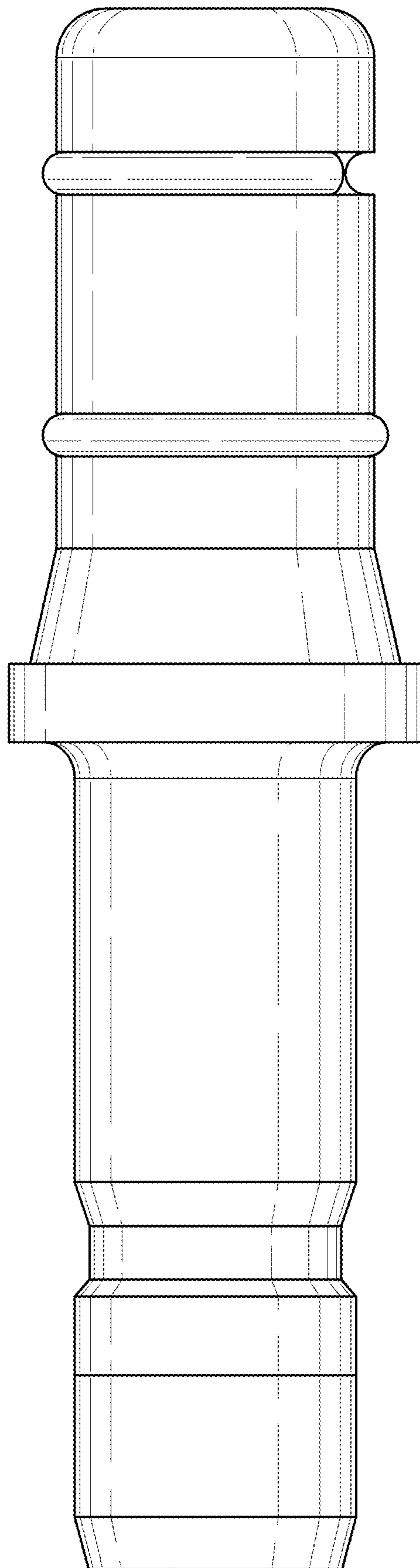


Fig. 3

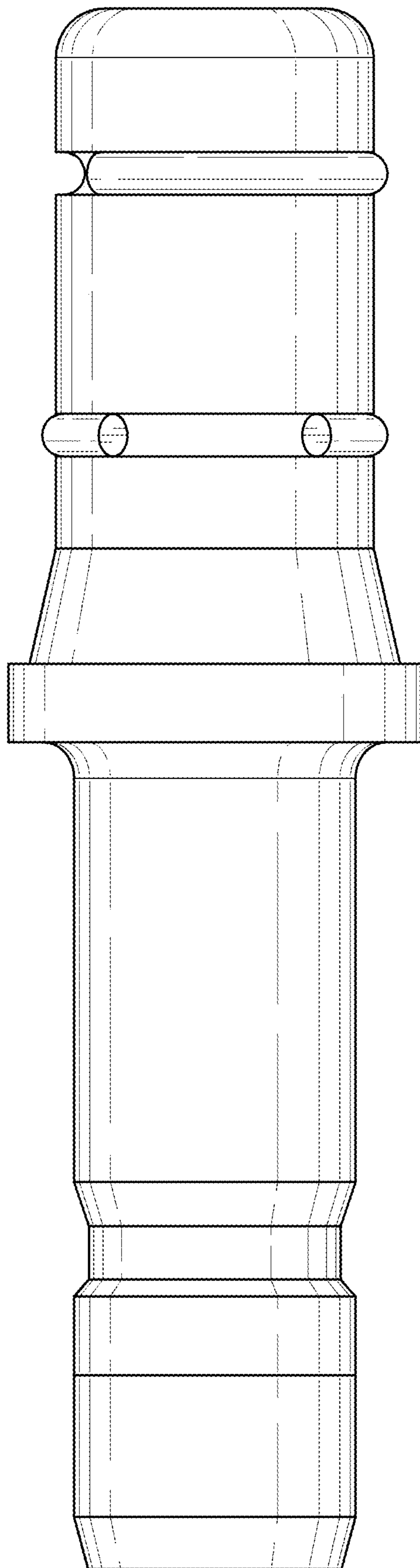


Fig. 4