



US00D955859S

(12) **United States Design Patent** (10) **Patent No.:** **US D955,859 S**
Sudo et al. (45) **Date of Patent:** **** Jun. 28, 2022**

(54) **CONSTRUCTION CLIP**

OTHER PUBLICATIONS

(71) Applicant: **YOSHINO GYPSUM CO., LTD.**,
Tokyo (JP)

MUFC Clip—PTMGI <http://ptmgi.id/product/m-ufc-clip/> Aug. 2017
(Year: 2017).*

(Continued)

(72) Inventors: **Ushio Sudo**, Tokyo (JP); **Tomoya Hasegawa**, Tokyo (JP); **Takuji Yamashita**, Tokyo (JP); **Yusuke Watanabe**, Tokyo (JP)

Primary Examiner — Leanne Was-Englehart
(74) *Attorney, Agent, or Firm* — IPUSA, PLLC

(57) **CLAIM**

The ornamental design for a construction clip, as shown and described.

(73) Assignee: **YOSHINO GYPSUM CO., LTD.**,
Tokyo (JP)

DESCRIPTION

(**) Term: **15 Years**

FIG. 1 is a front perspective view of a construction clip, showing our new design;

(21) Appl. No.: **29/738,577**

FIG. 2 is a front view thereof;

(22) Filed: **Jun. 18, 2020**

FIG. 3 is a rear view thereof;

(30) **Foreign Application Priority Data**

Dec. 25, 2019 (JP) 2019-028873

FIG. 4 is a top plan view thereof;

(51) **LOC (13) Cl.** **08-08**

FIG. 5 is a bottom plan view thereof;

(52) **U.S. Cl.**

USPC **D8/354**; D25/199

FIG. 6 is a left side view thereof;

(58) **Field of Classification Search**

USPC D8/354, 382, 394, 395; D25/199

FIG. 7 is a front perspective view thereof, shown in a state of use;

(Continued)

(56) **References Cited**

U.S. PATENT DOCUMENTS

D116,438 S * 8/1939 Wright D8/395
2,795,834 A * 6/1957 Szoke A47G 29/08
248/113

FIG. 8 is an enlarged perspective view of the portion of FIG. 1 inside the dash-dot-dot broken line circle indicated by the reference number 8;

(Continued)

FOREIGN PATENT DOCUMENTS

CN 305284500 * 8/2019
CN 305379761 * 10/2019

(Continued)

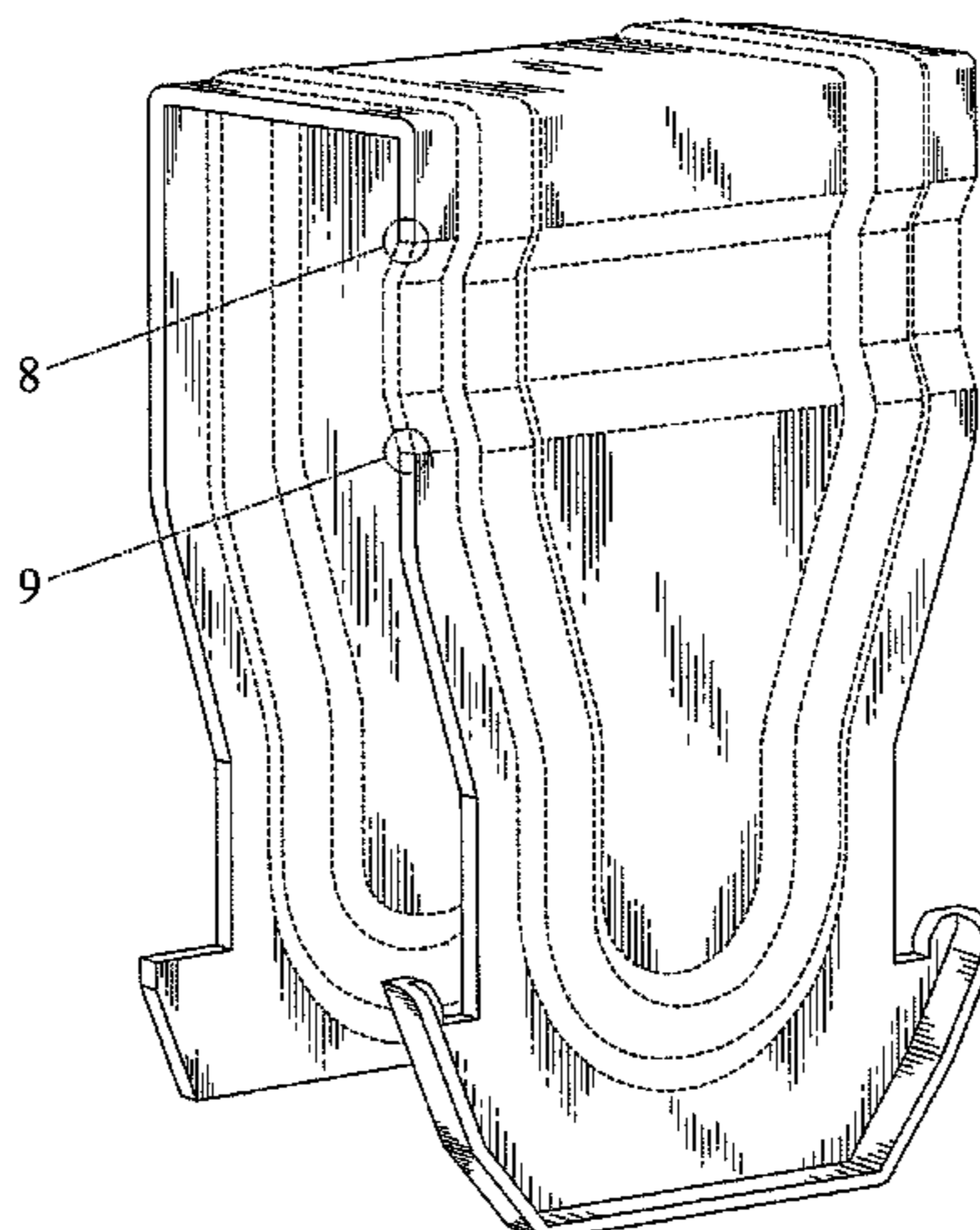
FIG. 9 is an enlarged perspective view of the portion of FIG. 1 inside the dash-dot-dot broken line circle indicated by the reference number 9;

FIG. 10 is an enlarged left side view of the portion of FIG. 6 inside the dash-dot-dot broken line circle indicated by the reference number 10; and,

FIG. 11 is an enlarged left side view of the portion of FIG. 6 inside the dash-dot-dot broken line circle indicated by the reference number 11.

The even-length broken lines shown in the drawings represent portions of the construction clip that form no part of the claimed design. The dash-dot-dot broken lines depict areas of enlargement in FIGS. 1 and 6 and the boundaries of the corresponding enlarged views in FIGS. 8, 9, 10 and 11. The dash-dot broken lines shown inside the dash-dot-dot broken line circles shown in FIGS. 1, 6, 8, 9, 10 and 11 depict the bounds of the claim and form no part of the claimed design.

1 Claim, 8 Drawing Sheets



US D955,859 S

Page 2

(58) **Field of Classification Search**

CPC . A47B 96/063; E04B 9/10; E04C 5/12; E04C
5/16; E04C 5/162; E04C 5/167
See application file for complete search history.

D874,246 S * 2/2020 Stekr D8/354
D874,247 S * 2/2020 Stekr D8/354
D874,248 S * 2/2020 Stekr D8/354
D887,820 S * 6/2020 Zhang D8/354
D902,163 S * 11/2020 Ice D13/179

(56)

References Cited

U.S. PATENT DOCUMENTS

D220,424 S * 4/1971 Hindenburg D8/395
D228,377 S * 9/1973 Martz D8/373
D256,663 S * 9/1980 Gilb D8/354
D370,171 S * 5/1996 Emerson D8/354
D513,171 S * 12/2005 Richardson D25/133
D523,329 S * 6/2006 Klippel D8/394
D547,168 S * 7/2007 Churchill D8/382
D558,039 S * 12/2007 Skinner D8/354
7,490,802 B1 * 2/2009 Teng A47B 96/063
248/229.15
D600,535 S * 9/2009 Rix D8/354
D638,773 S * 5/2011 Laverack D12/223
D819,427 S * 6/2018 Mercaldi D8/354

FOREIGN PATENT DOCUMENTS

EM 003417864 * 10/2016
JP D1455576 * 11/2012
JP D1467807 * 4/2013
JP D1451035 * 9/2015

OTHER PUBLICATIONS

Metal Ceiling clip <https://www.facebook.com/ptmgi.id/photos/a.754341404934069/1126489541052585/?type=3&theater> Posted Jun. 15, 2020 (Year: 2020).*
U.S. Appl. No. 29/738,772, filed Jun. 19, 2020, Yoshino Gypsum Co., Ltd.

* cited by examiner

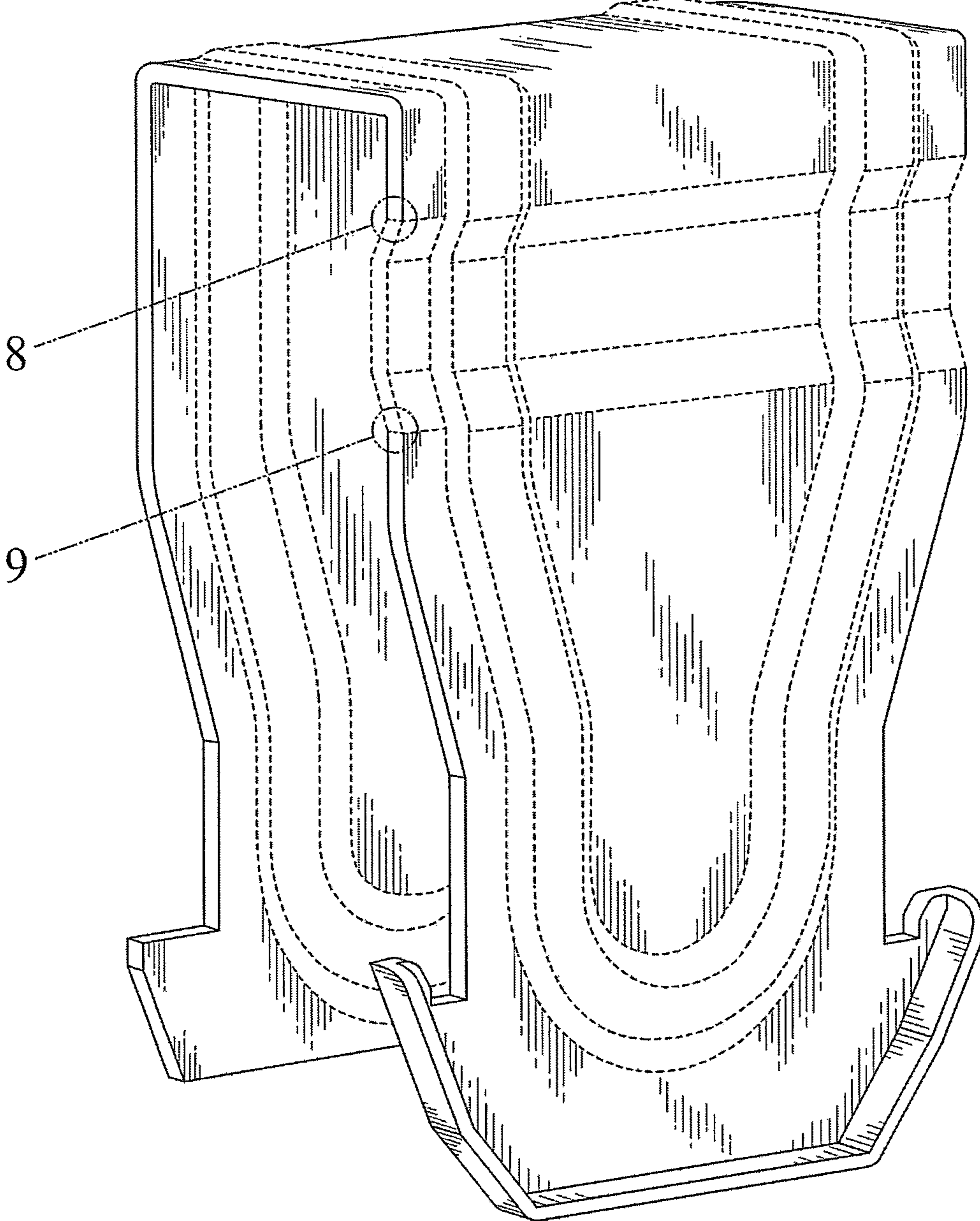


Fig. 1

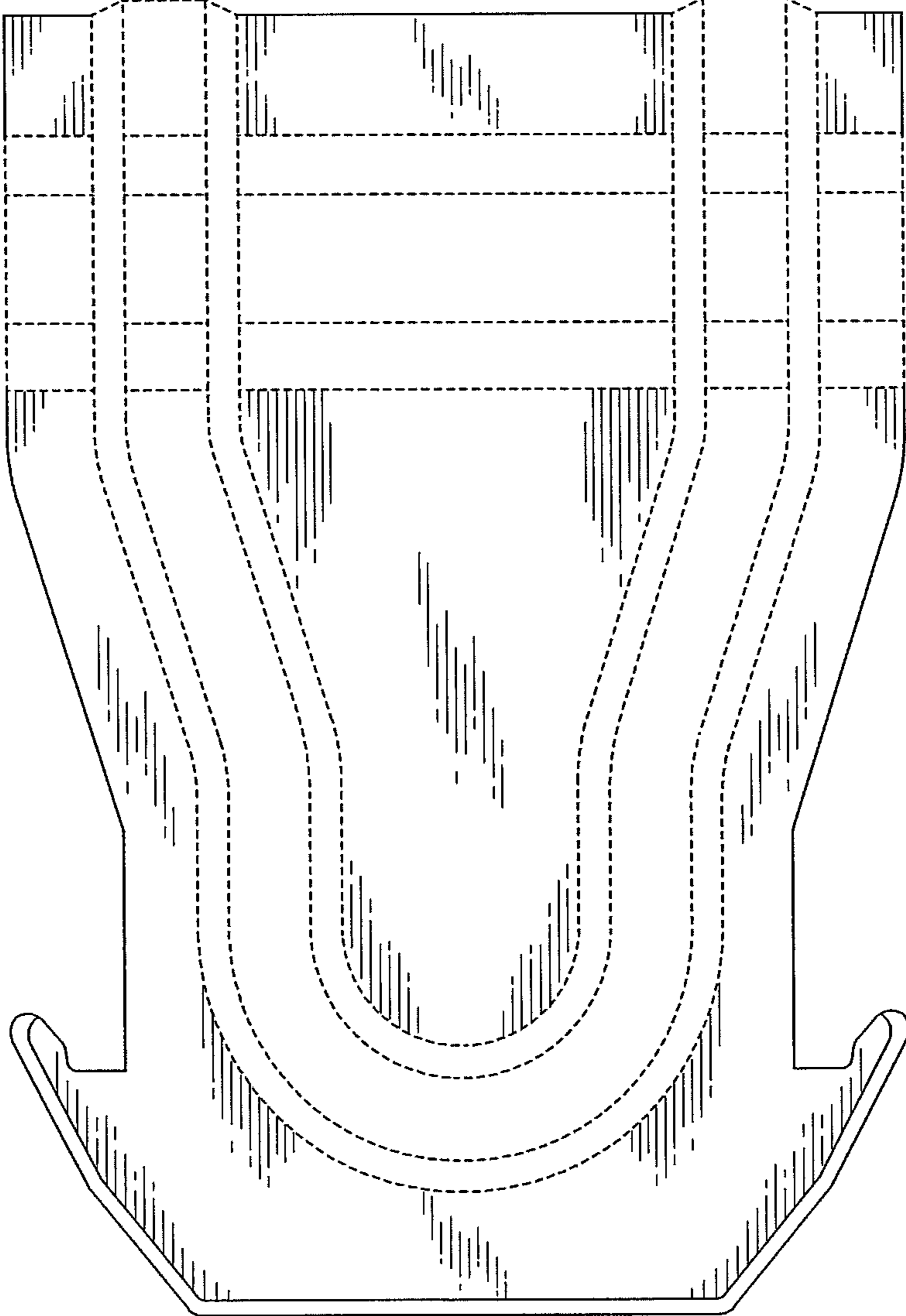


Fig. 2

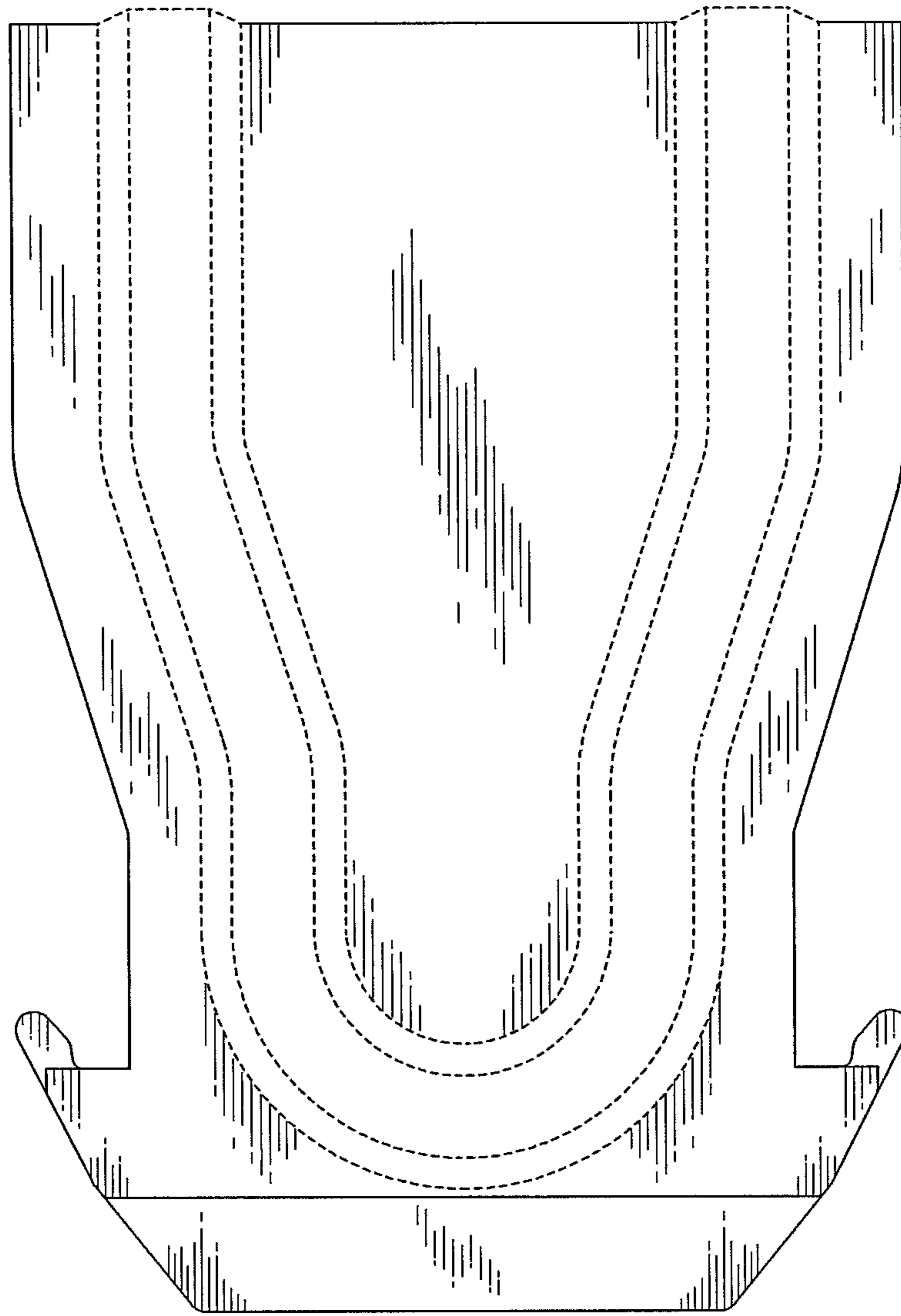


Fig. 3

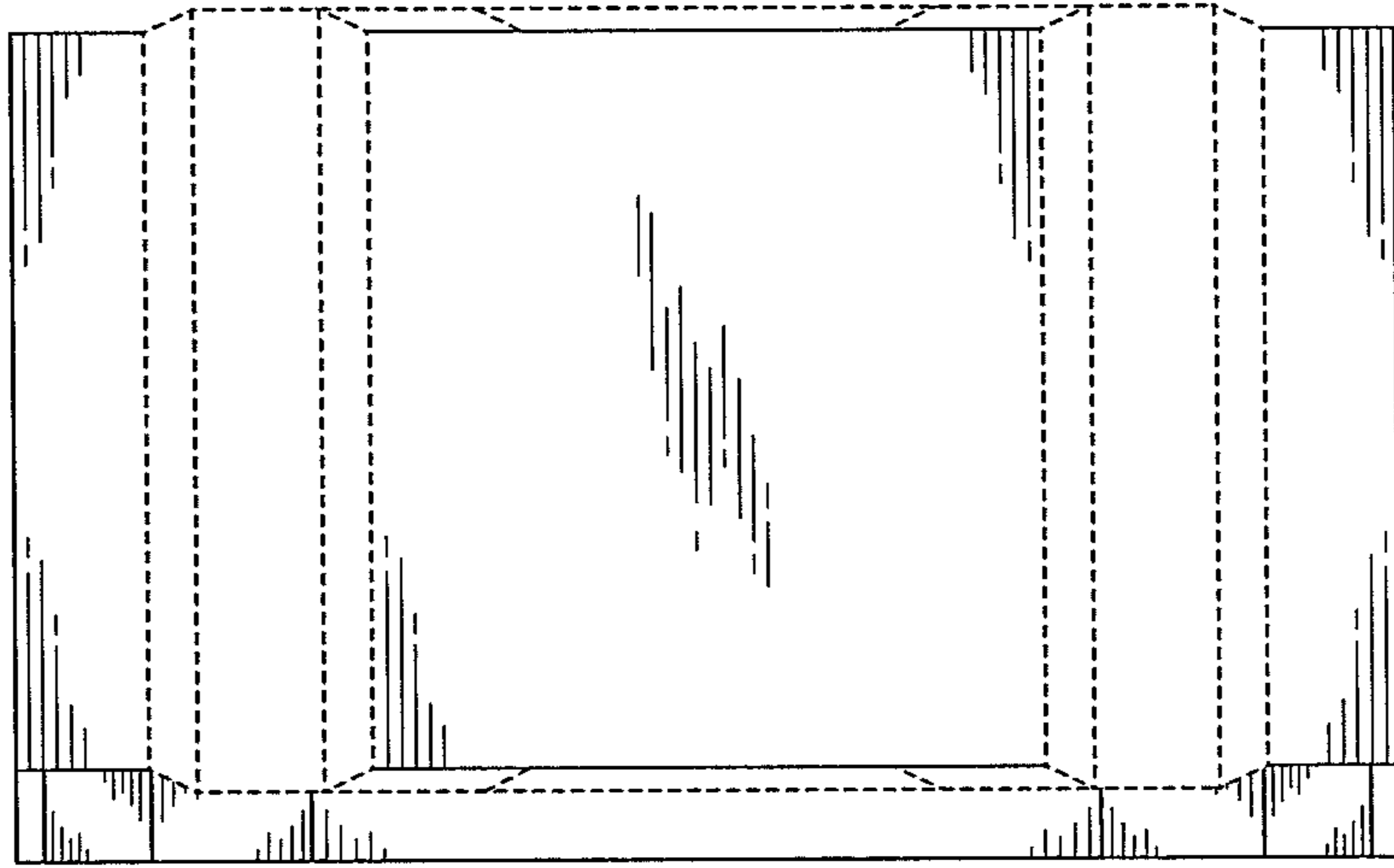


Fig. 4

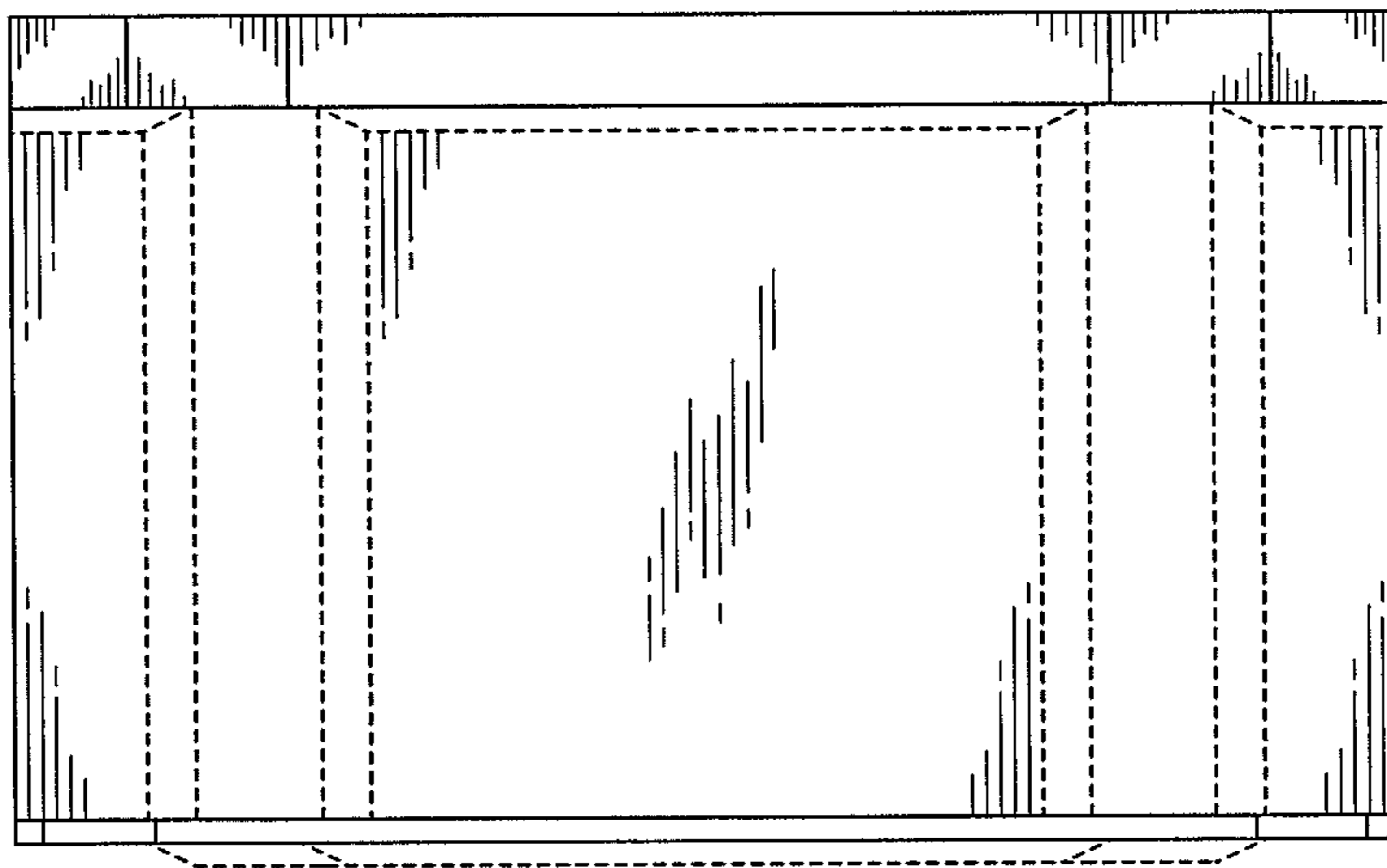


Fig. 5

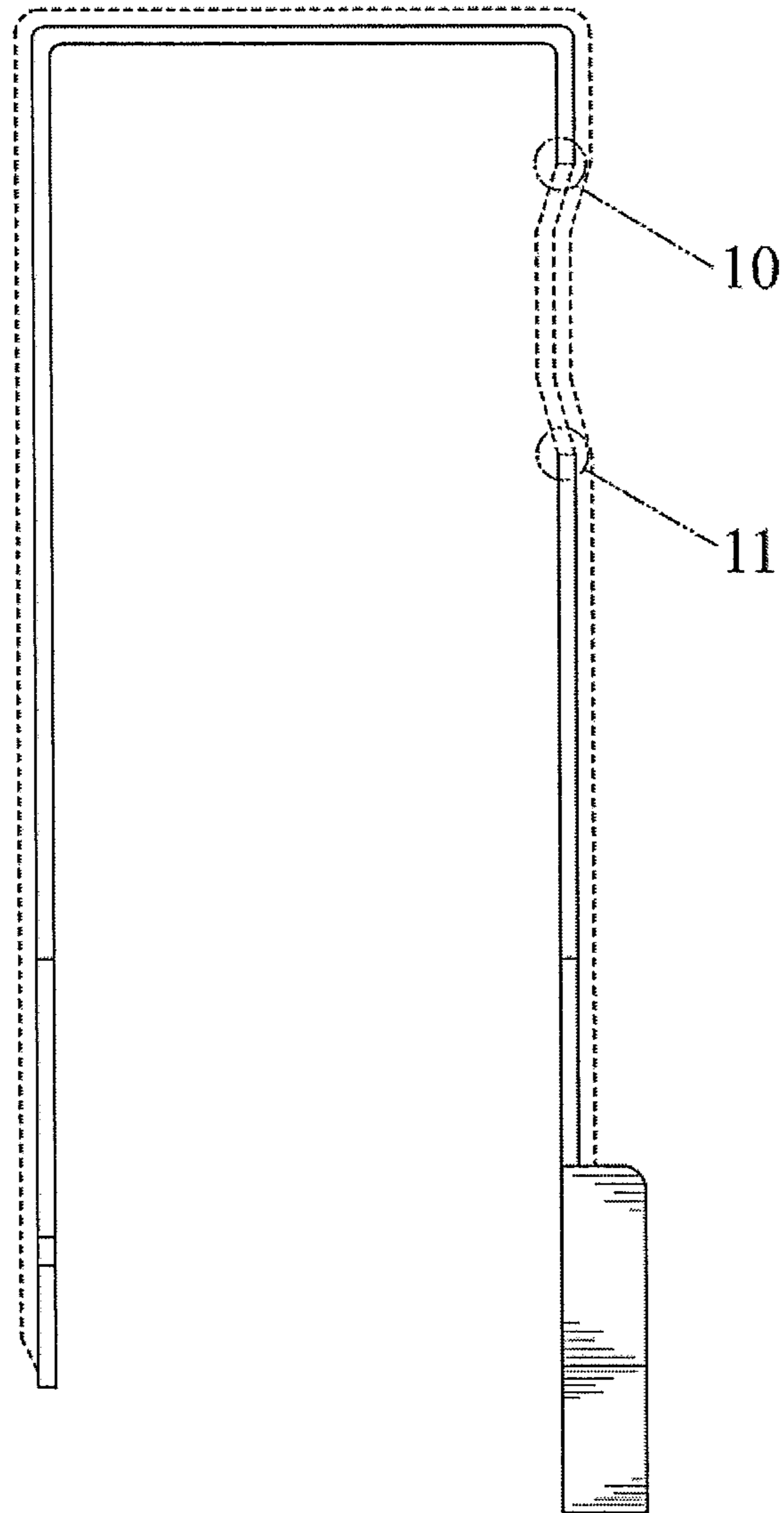


Fig. 6

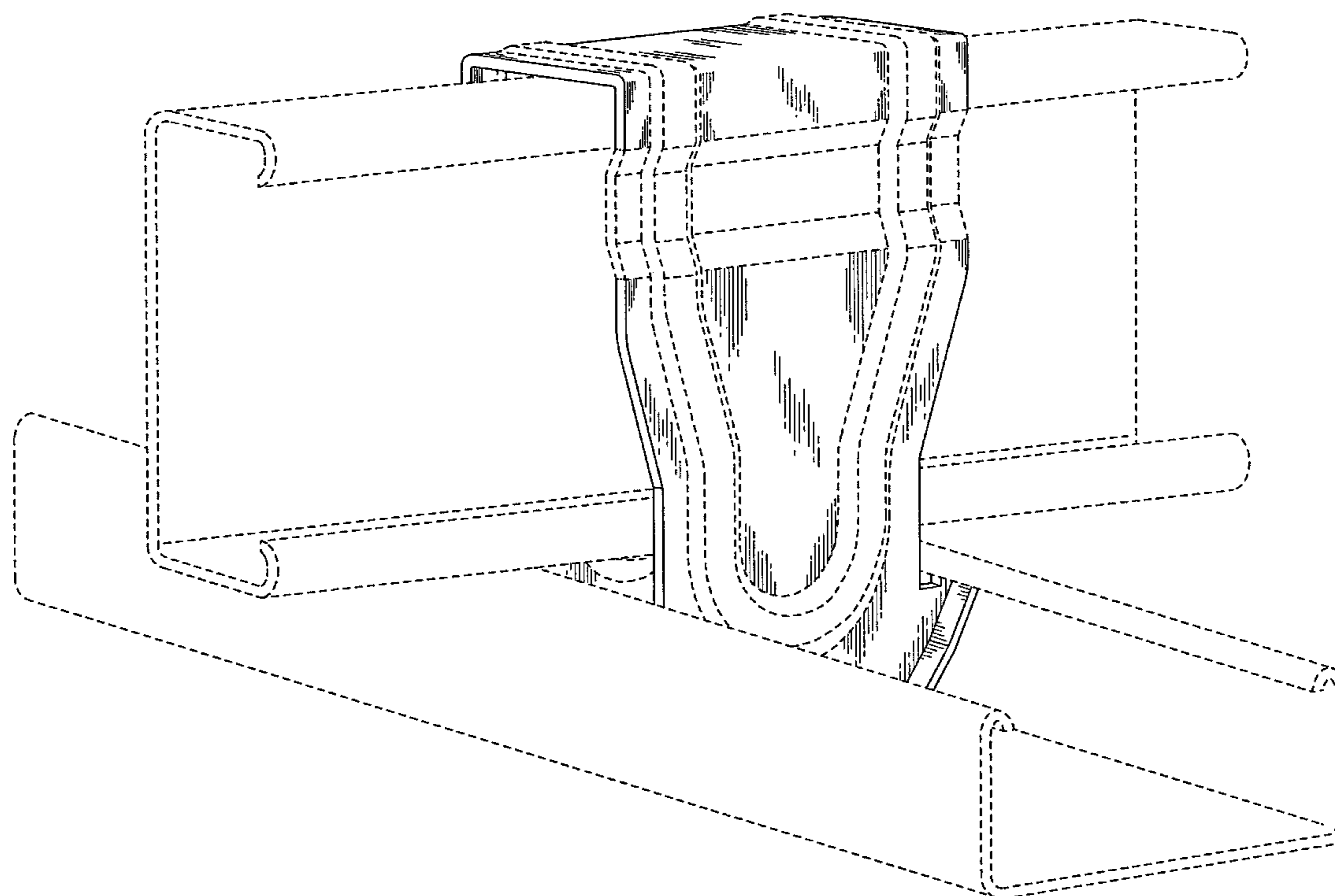


Fig. 7

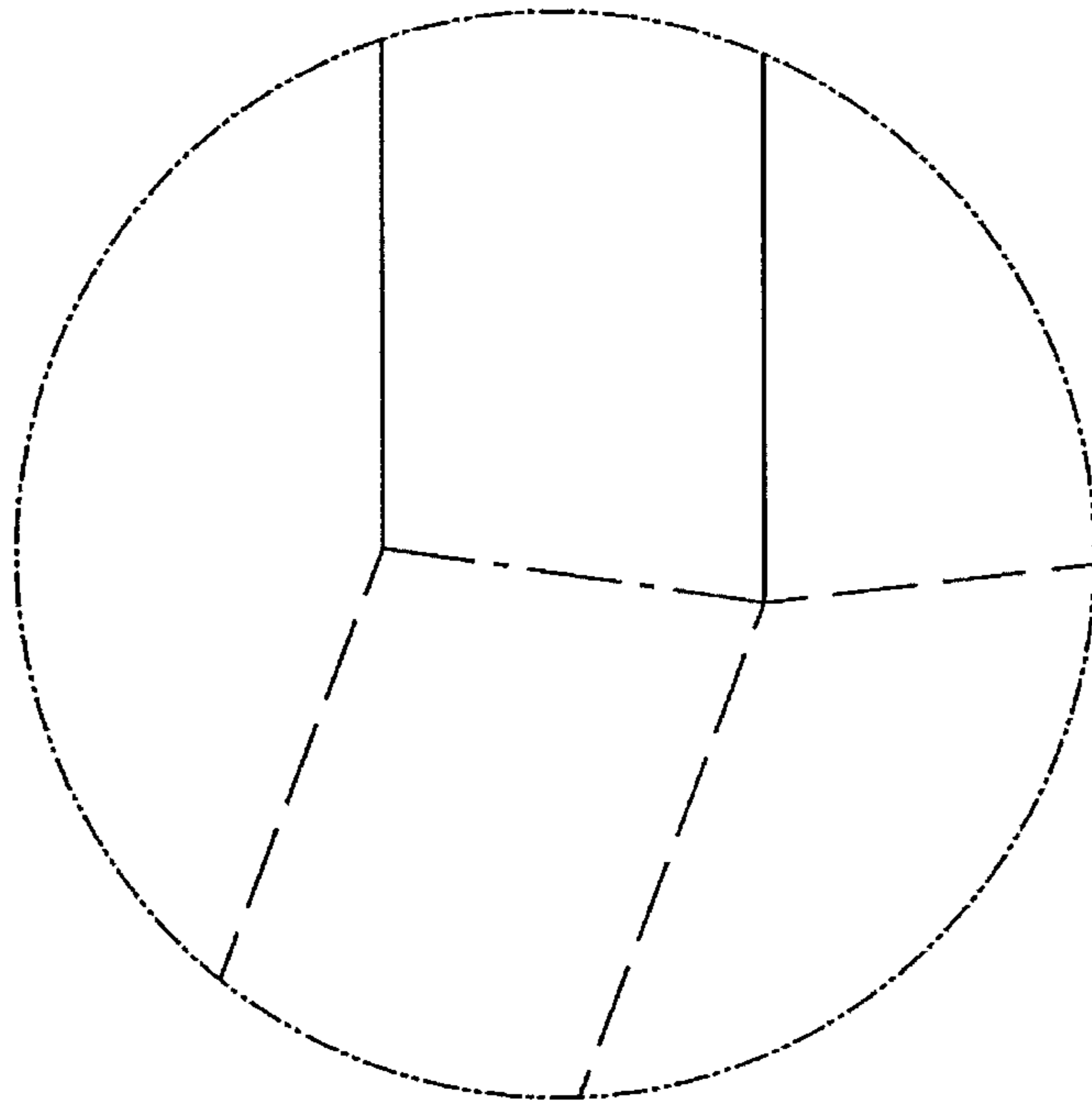


Fig. 8

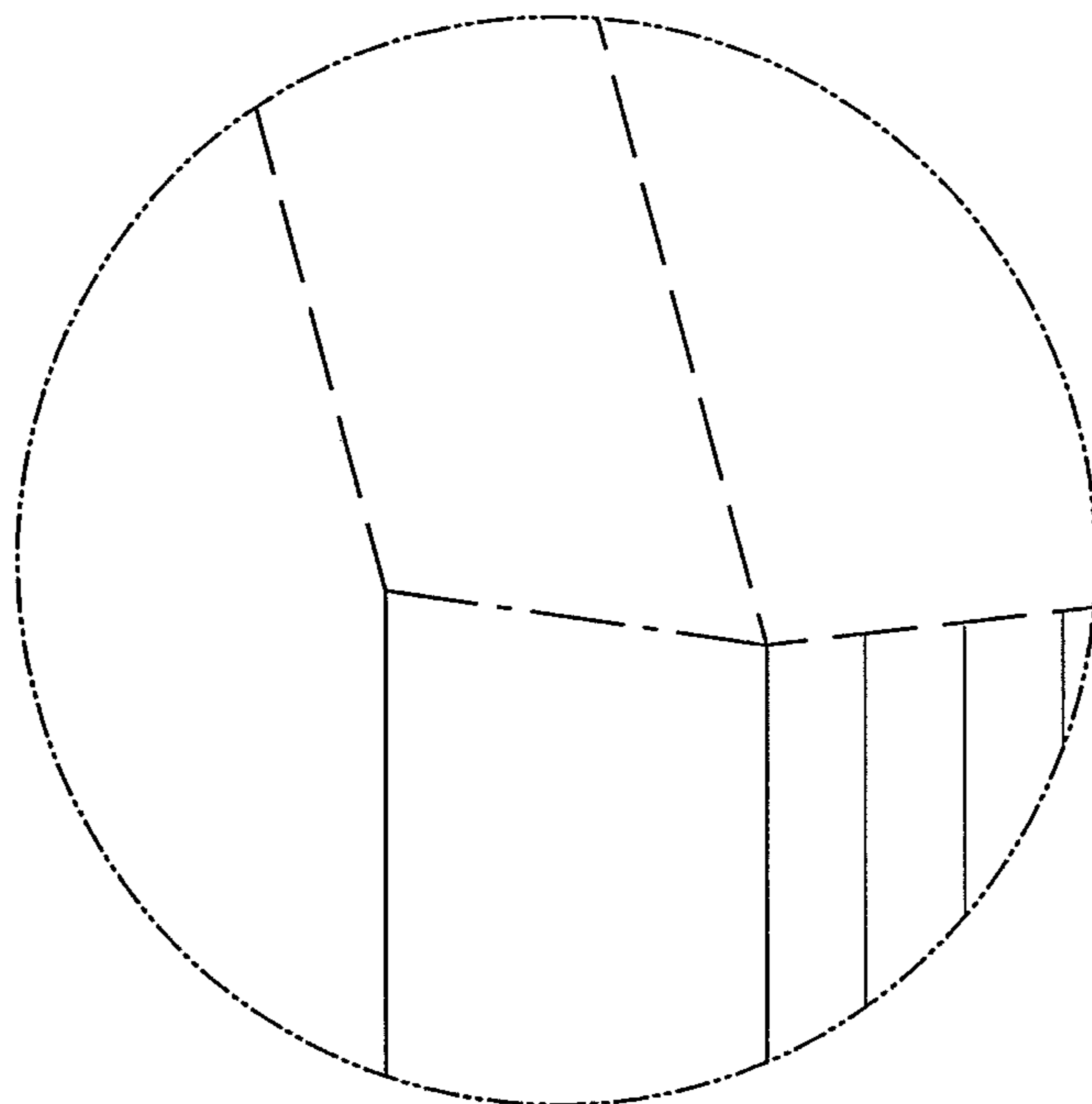


Fig. 9

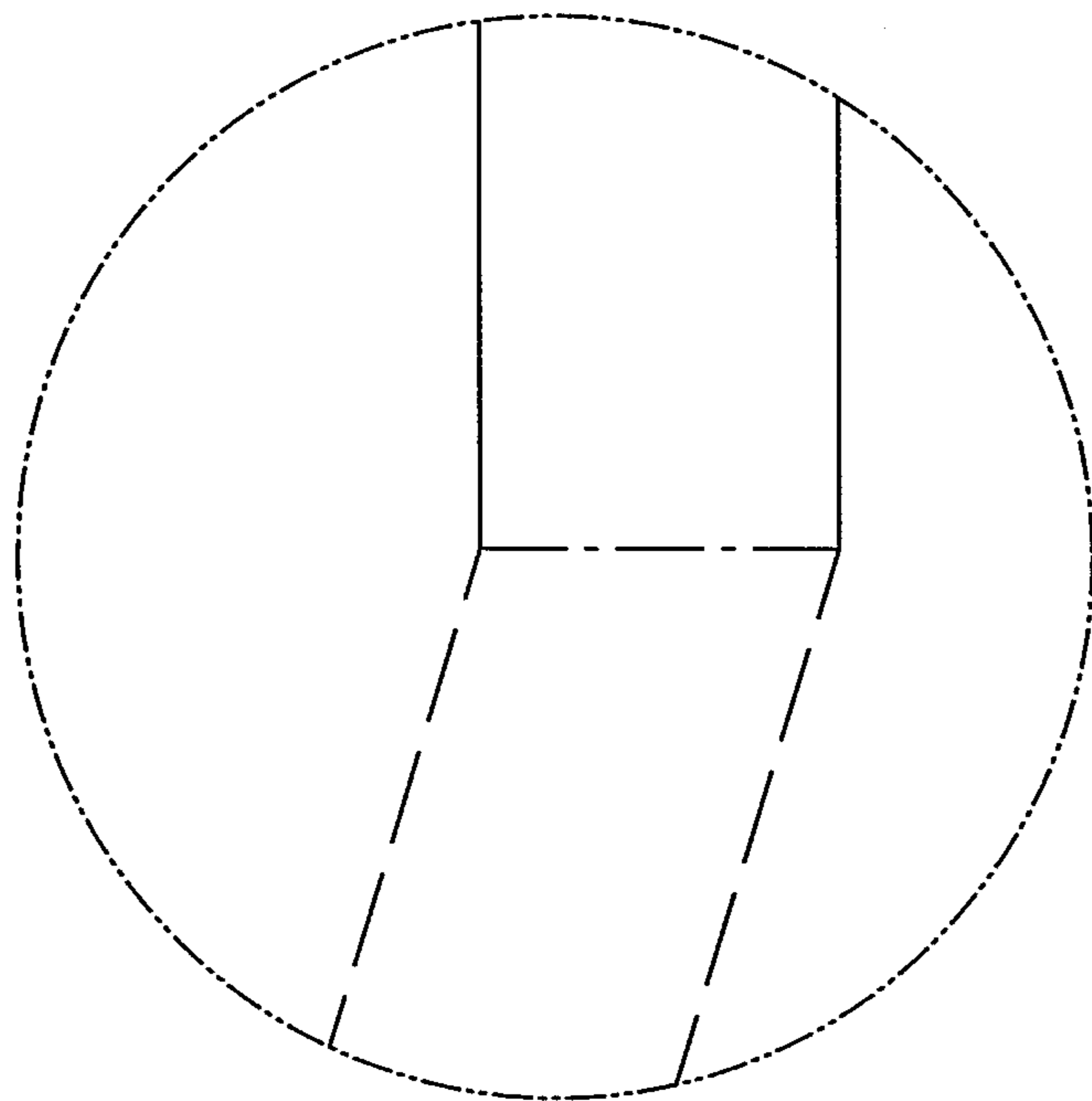


Fig. 10

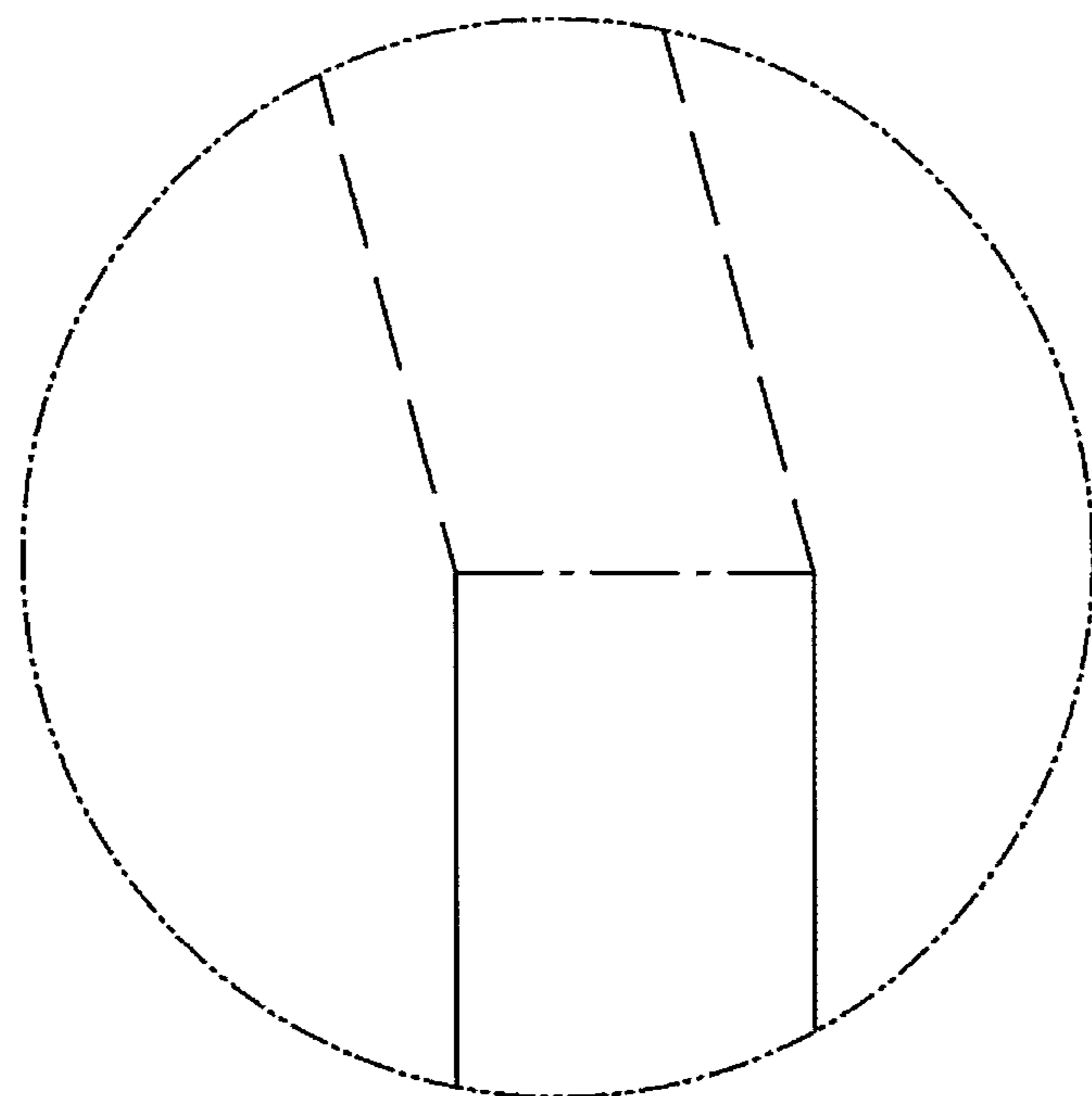


Fig. 11