



US00D955858S

(12) **United States Design Patent** (10) **Patent No.:** **US D955,858 S**  
**Watson** (45) **Date of Patent:** **\*\* Jun. 28, 2022**

(54) **DOOR TRIM**

(71) Applicant: **Schlage Lock Company LLC**, Carmel, IN (US)

(72) Inventor: **Aida K. N. Watson**, Noblesville, IN (US)

(73) Assignee: **Schlage Lock Company LLC**, Carmel, IN (US)

(\*\*) Term: **15 Years**

(21) Appl. No.: **29/746,003**

(22) Filed: **Aug. 11, 2020**

(51) **LOC (13) Cl.** ..... **11-05**

(52) **U.S. Cl.**  
USPC ..... **D8/352; D8/331**

(58) **Field of Classification Search**  
USPC ..... D8/330, 331, 334, 300, 301, 302, D8/350-353

CPC . E05C 9/004; E05B 9/002; E05B 9/00; E05B 9/02; E05B 37/00; E05B 1/00; E05B 3/00; E05B 47/00; E05B 47/06; E05B 49/00; E05B 15/02; E05B 15/00; E05B 13/103; Y10T 70/8324; Y10T 70/8459; Y10T 70/8514; Y10T 70/8568

See application file for complete search history.

(56) **References Cited**

**U.S. PATENT DOCUMENTS**

D65,817 S *	10/1924	Levy	.....	D26/145
D82,676 S *	12/1930	Gullborg	.....	D8/308
D105,325 S *	7/1937	Bureau	.....	D8/350
D181,047 S *	9/1957	Goeske	.....	D8/351
D214,615 S *	7/1969	Patriquin	.....	D8/353
D403,750 S *	1/1999	Fabian	.....	D8/352
D405,217 S *	2/1999	Joli	.....	D26/145
D405,995 S *	2/1999	Harris	.....	D6/524
D423,905 S *	5/2000	Keller	.....	D8/320
D554,974 S *	11/2007	Huang	.....	D8/352

D635,441 S *	4/2011	Roberts, III	.....	D8/353
D635,442 S *	4/2011	Roberts, III	.....	D8/352
D635,443 S *	4/2011	Roberts, III	.....	D8/352
D635,444 S *	4/2011	Roberts, III	.....	D8/352
D673,837 S *	1/2013	Callif	.....	D8/353
D678,752 S *	3/2013	Sedwick	.....	D8/352
D698,011 S *	1/2014	Schoenherr	.....	D8/352
D703,026 S *	4/2014	Wu	.....	D8/352
D736,591 S *	8/2015	Groleski	.....	D8/350
D767,365 S *	9/2016	Yu	.....	D8/350
D772,691 S *	11/2016	Han	.....	D8/350
D782,284 S *	3/2017	Chiang	.....	D8/353
D786,652 S *	5/2017	Lira-Nunez	.....	D8/352
D790,319 S *	6/2017	Schneider	.....	D8/331
D815,511 S *	4/2018	Groleski	.....	D8/350

(Continued)

**OTHER PUBLICATIONS**

5070 Estate Rose—150; Baldwin—Estate Collection; <https://www.baldwinhardware.com/products/details/door-hardware/roses/estate-rose-5070-150>; 1 page.

*Primary Examiner* — Mark A Goodwin  
(74) *Attorney, Agent, or Firm* — Taft Stettinius & Hollister LLP

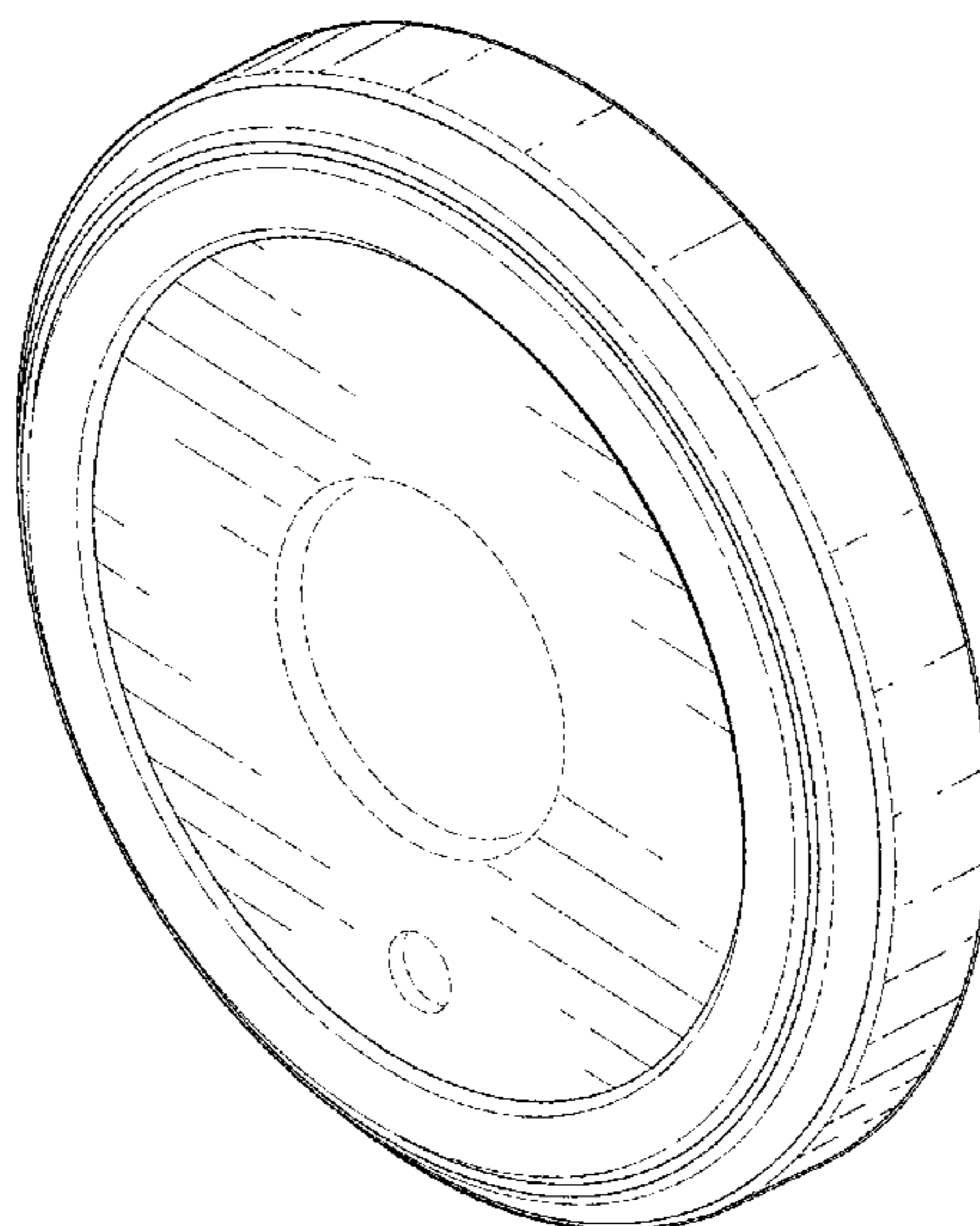
(57) **CLAIM**

The ornamental design for door trim, as shown and described.

**DESCRIPTION**

FIG. 1 is a front, top, right side perspective view of door trim showing my new design;  
FIG. 2 is a front elevational view thereof;  
FIG. 3 is a top plan view thereof;  
FIG. 4 is a bottom plan view thereof;  
FIG. 5 is a right side elevational view thereof; and,  
FIG. 6 is a left side elevational view thereof.  
The broken lines in the drawing figures form no part of the claimed design.

**1 Claim, 2 Drawing Sheets**



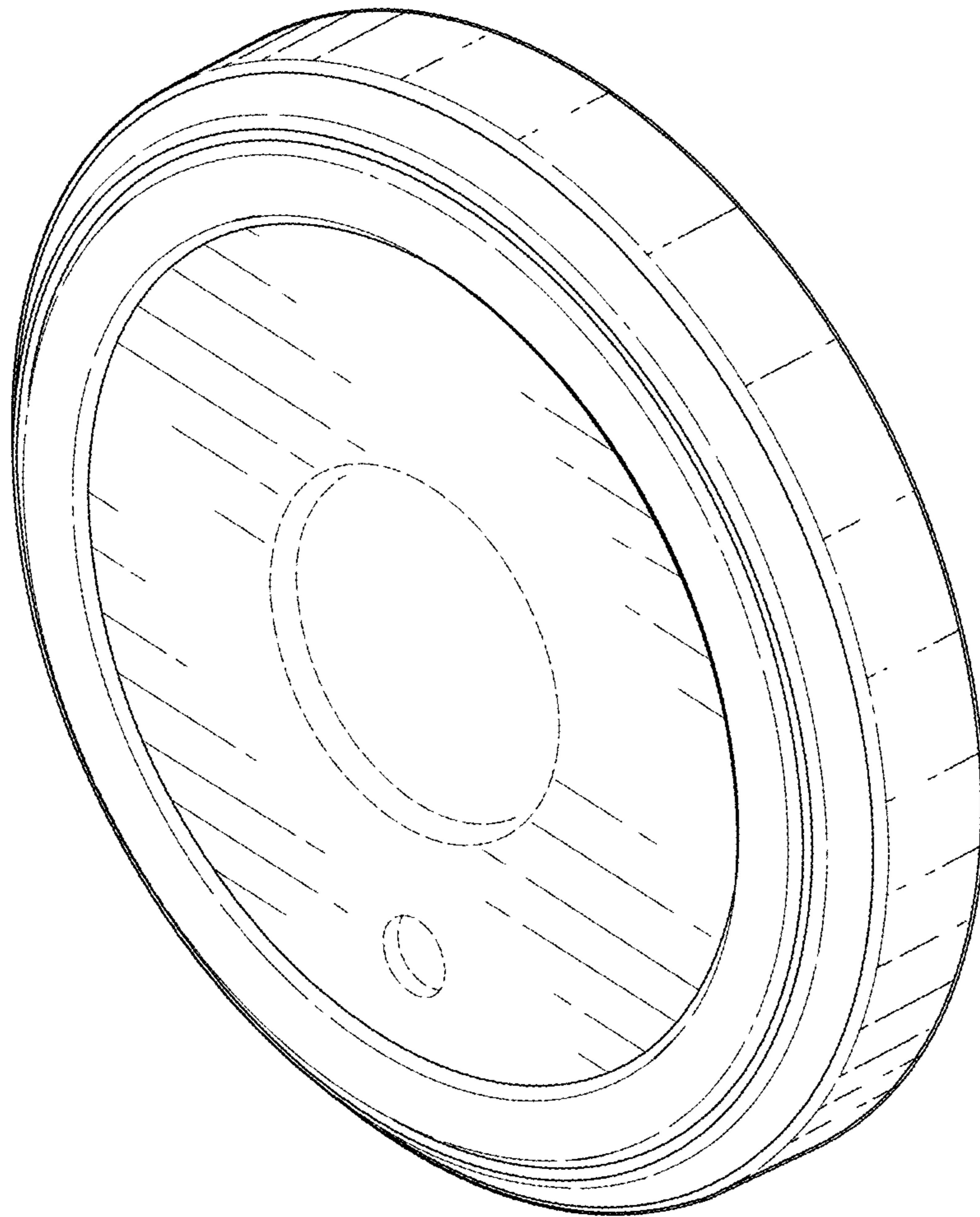
(56)

**References Cited**

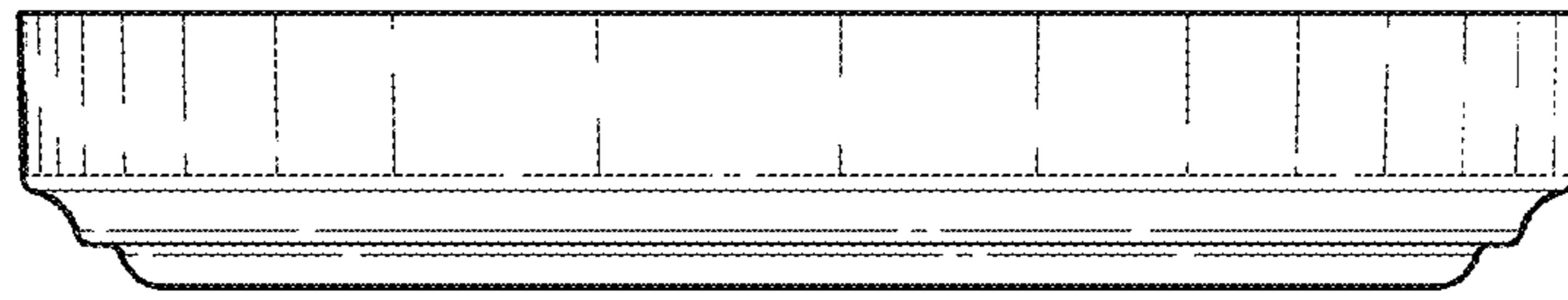
U.S. PATENT DOCUMENTS

D833,259	S	*	11/2018	Tseng	.....	D8/352
D867,107	S	*	11/2019	Groleski	.....	D8/353
D867,853	S	*	11/2019	Lin	.....	D8/353
D906,093	S	*	12/2020	Watson	.....	D8/353
D908,461	S	*	1/2021	Hsu	.....	D8/353
D931,082	S	*	9/2021	Lin	.....	D8/353

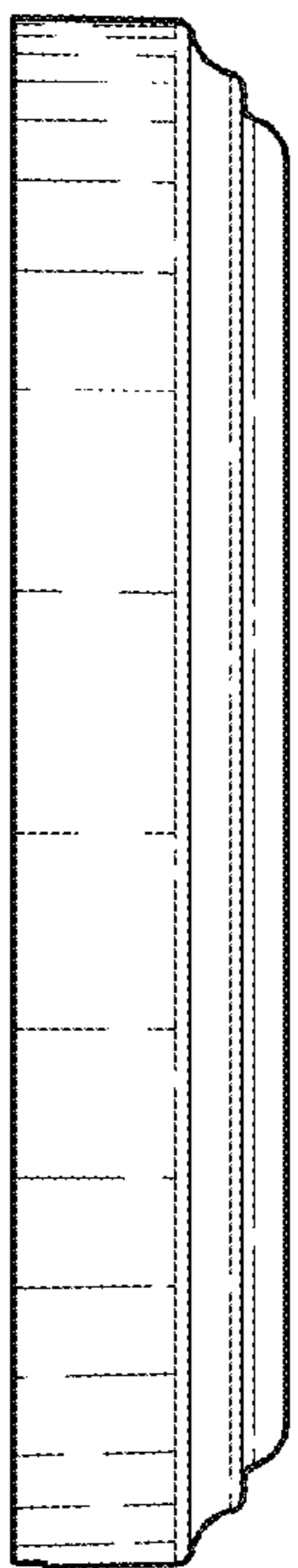
\* cited by examiner



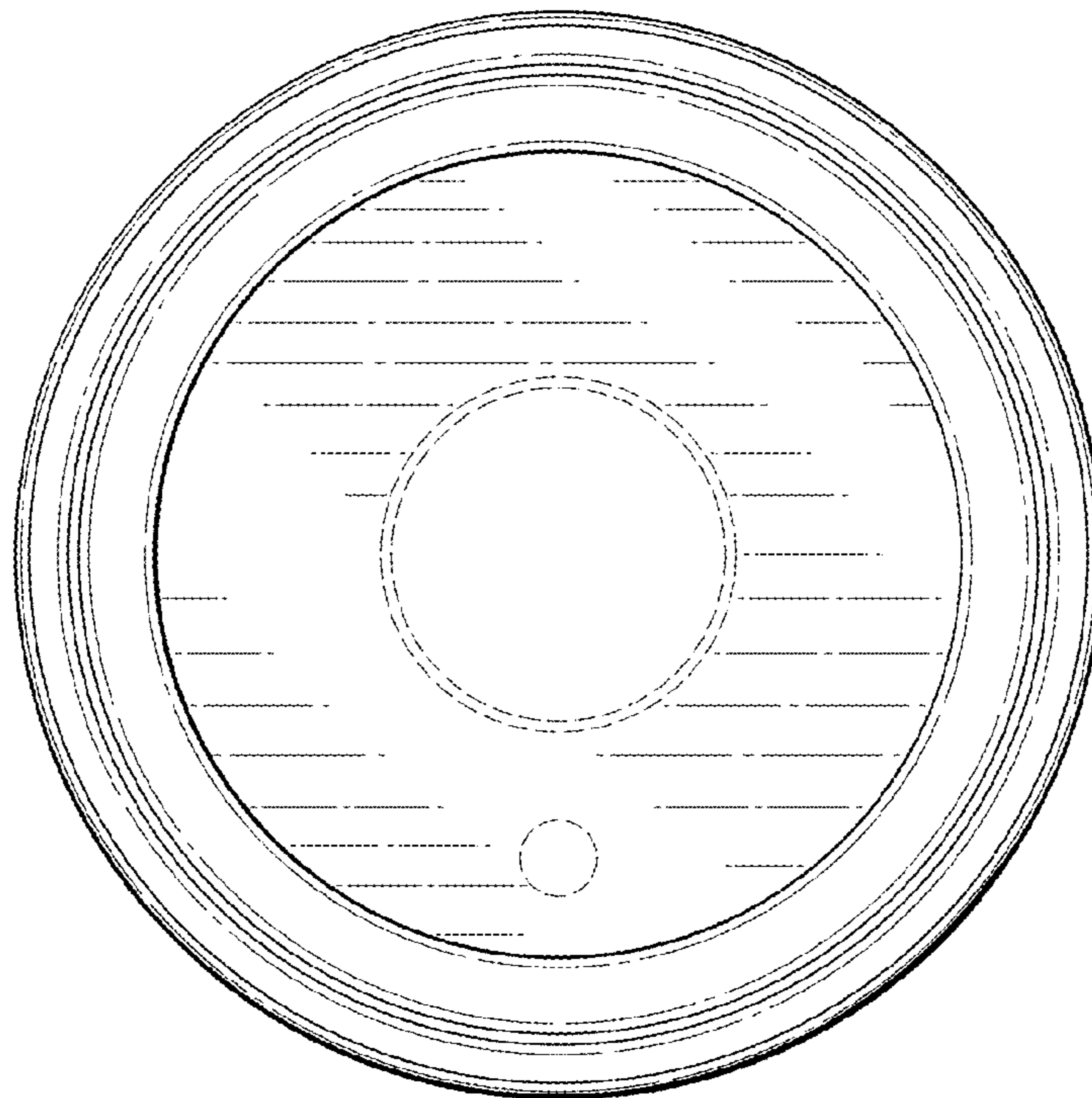
**Fig. 1**



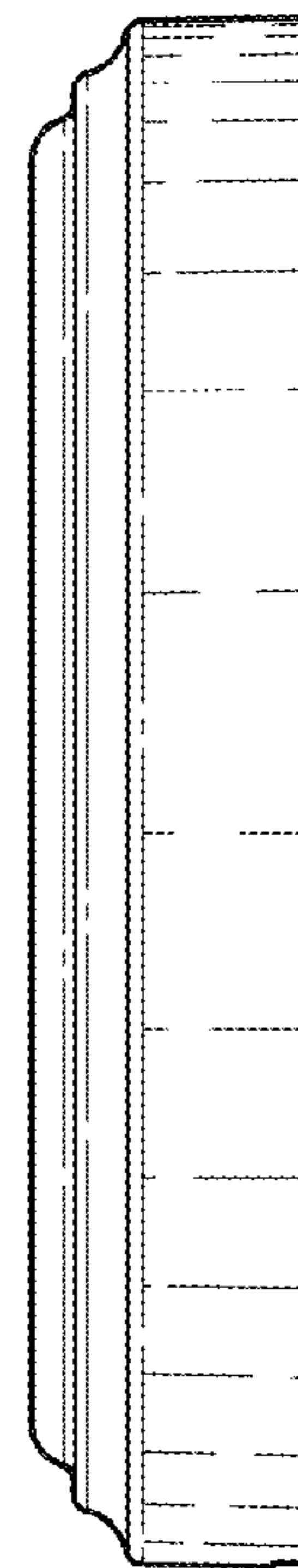
**Fig. 3**



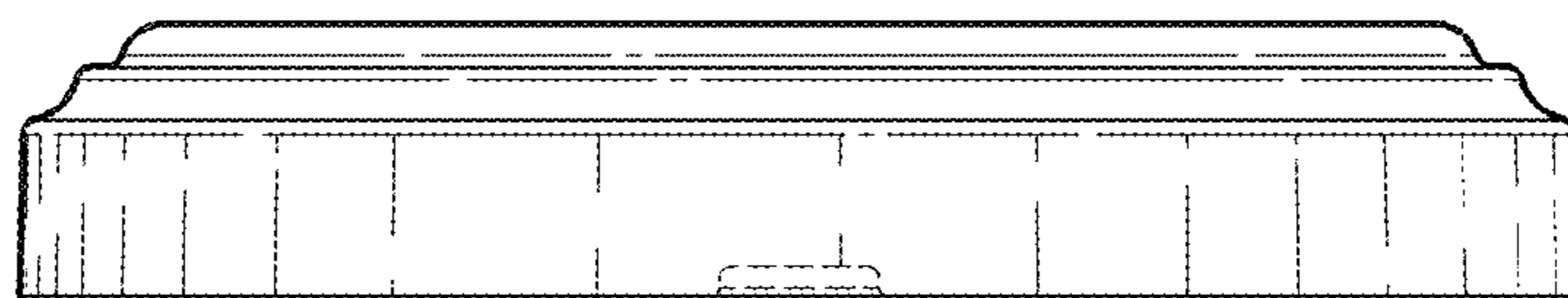
**Fig. 6**



**Fig. 2**



**Fig. 5**



**Fig. 4**