



US00D955857S

(12) **United States Design Patent**
Paul

(10) **Patent No.:** **US D955,857 S**

(45) **Date of Patent:** **** Jun. 28, 2022**

(54) **FASTENER FOR PACKAGING**

B65D 81/361; B65D 77/0466; B65D 90/048; B65D 2588/12; B65D 5/70

(71) Applicant: **Schütz GmbH & Co. KGaA**, Selters (DE)

See application file for complete search history.

(72) Inventor: **Ulrich Paul**, Ransbach-Baumbach (DE)

(56) **References Cited**

(73) Assignee: **Schütz GmbH & Co. KGaA**, Selters (DE)

U.S. PATENT DOCUMENTS

(**) Term: **15 Years**

D257,219 S *	10/1980	Cook	D8/371
5,188,221 A *	2/1993	Bertrand	B65D 81/361
			446/128
D466,690 S *	12/2002	Walsh	D34/38
D471,431 S *	3/2003	Valiulis	A47F 5/0823
			D8/349
D733,426 S *	7/2015	Haas	D3/273
D906,786 S *	1/2021	Janser	D8/349

(21) Appl. No.: **35/511,586**

(22) Filed: **Mar. 11, 2021**

* cited by examiner

(80) **Hague Agreement Data**

Int. Filing Date: **Mar. 11, 2021**

Primary Examiner — Michael A. Pratt

Int. Reg. No.: **DM/213170**

(74) *Attorney, Agent, or Firm* — Dickinson Wright PLLC; Andrew D. Dorisio

Int. Reg. Date: **Mar. 11, 2021**

Int. Reg. Pub. Date: **Mar. 26, 2021**

(30) **Foreign Application Priority Data**

Sep. 15, 2020 (EM) 008168637

(51) **LOC (13) Cl.** **08-08**

(52) **U.S. Cl.**
USPC **D8/349**

(58) **Field of Classification Search**

USPC D9/434, 499; D23/200, 206, 269;
D34/35, 38; D8/349, 354, 373, 380, 383,
D8/394, 396

CPC B65D 88/128; B65D 90/00; B65D 77/061;
B65D 90/041; B65D 77/06; B65D 77/065; B65D 88/22; B65D 90/047;

(57) **CLAIM**

The ornamental design for a fastener for packaging, as shown and described.

DESCRIPTION

1. Fastener for packaging

1.1 : Perspective

1.2 : Perspective

1.3 : Front

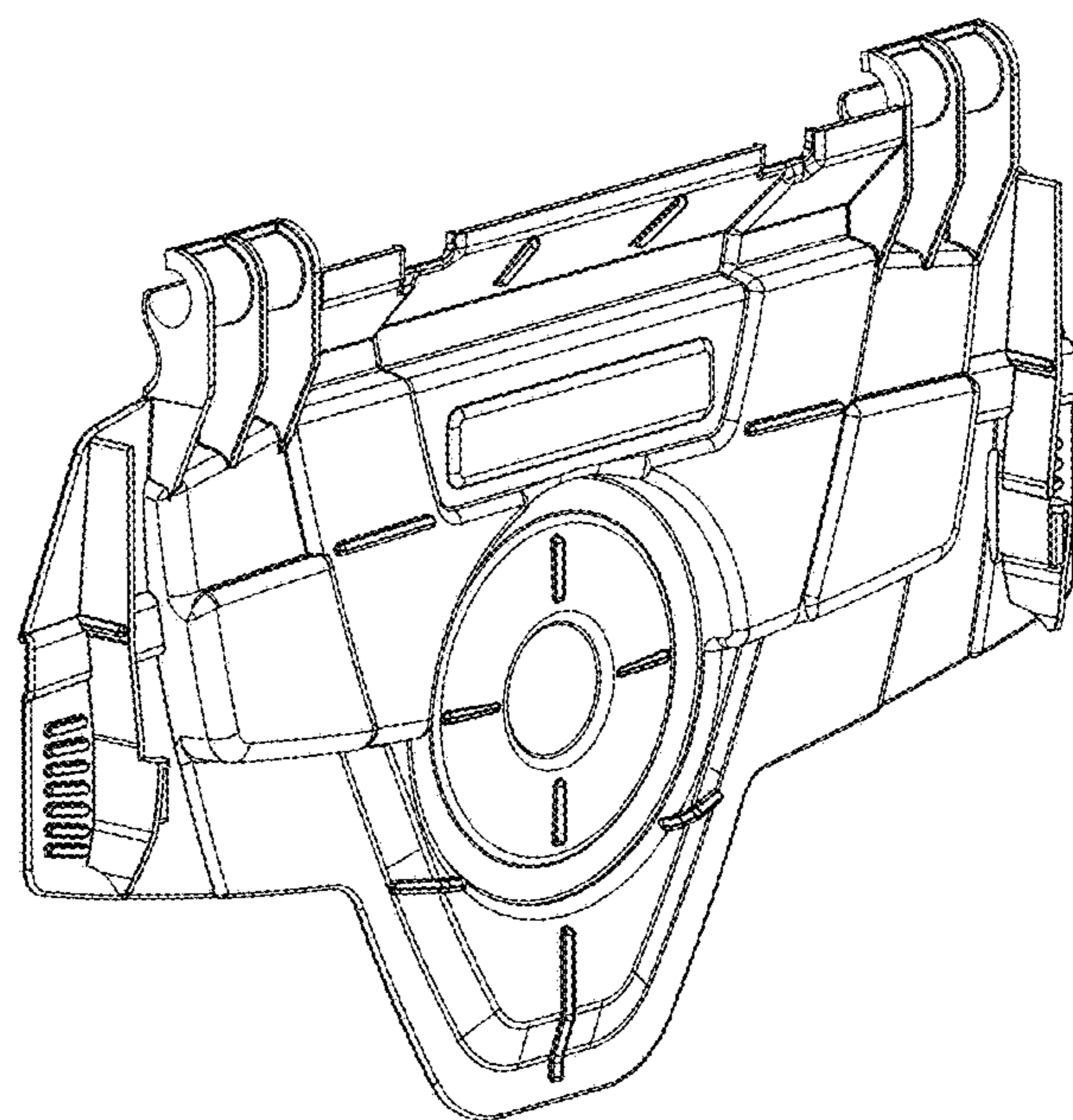
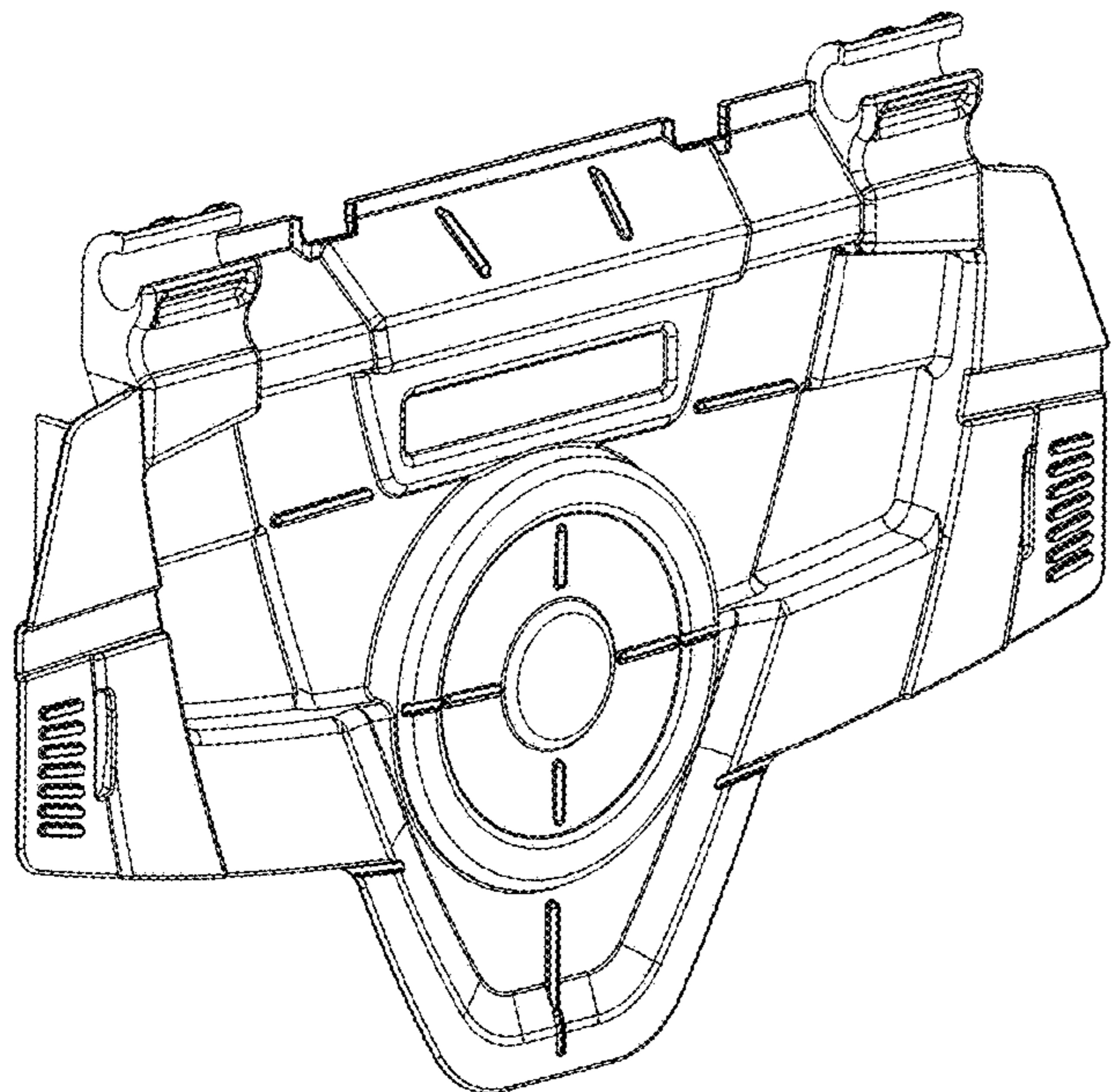
1.4 : Back

1.5 : Left

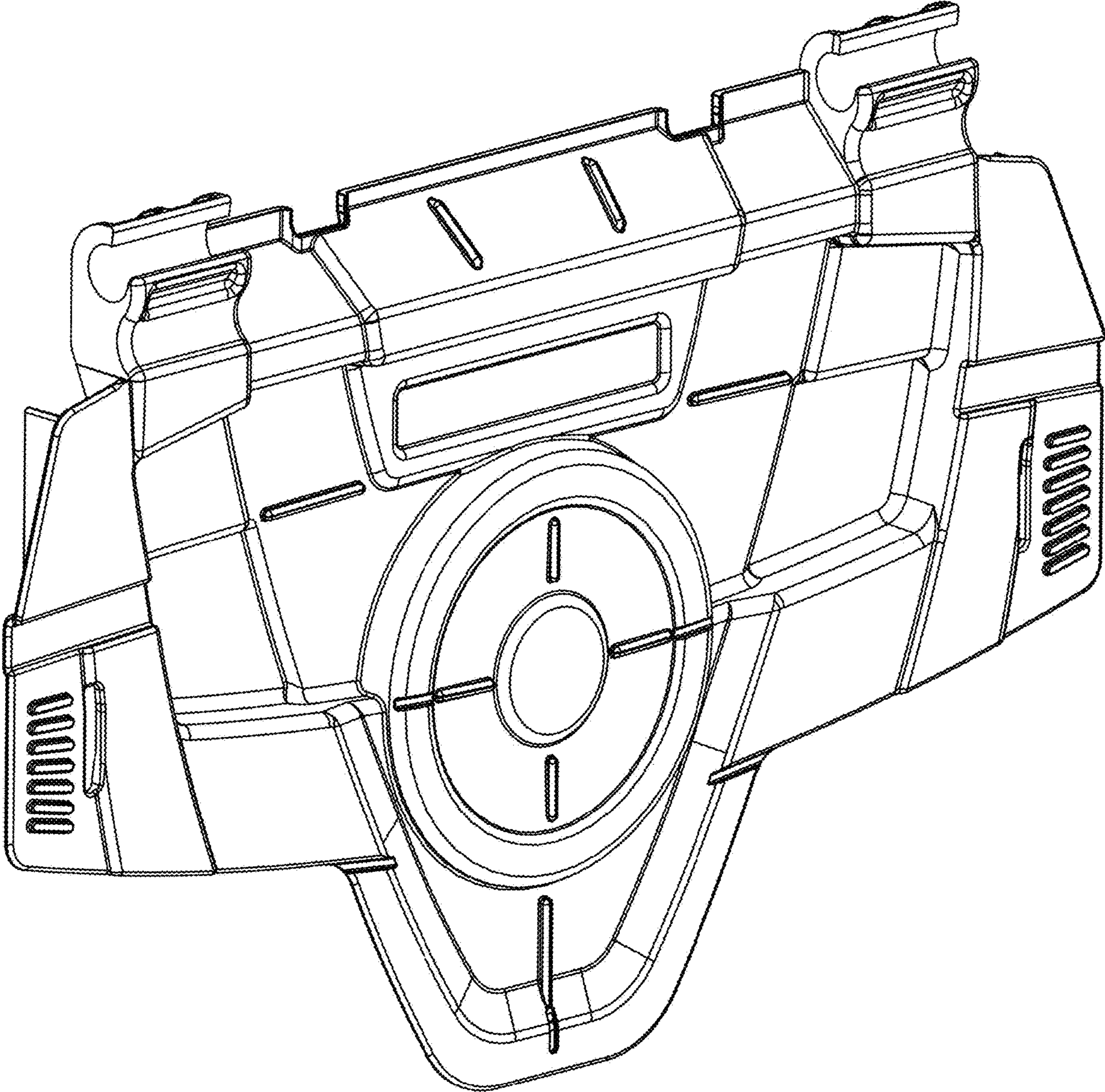
1.6 : Top

1.7 : Bottom

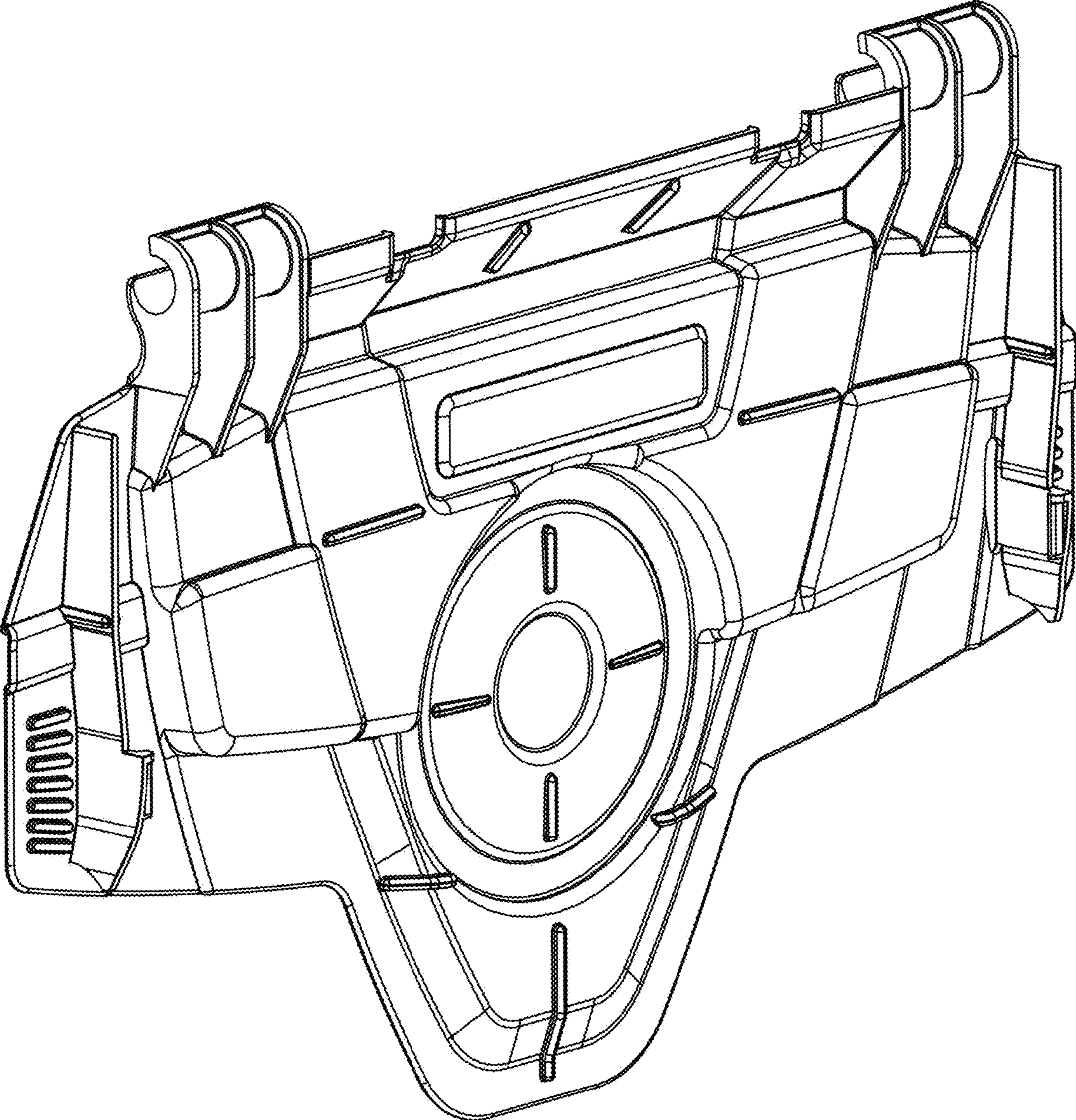
1 Claim, 7 Drawing Sheets



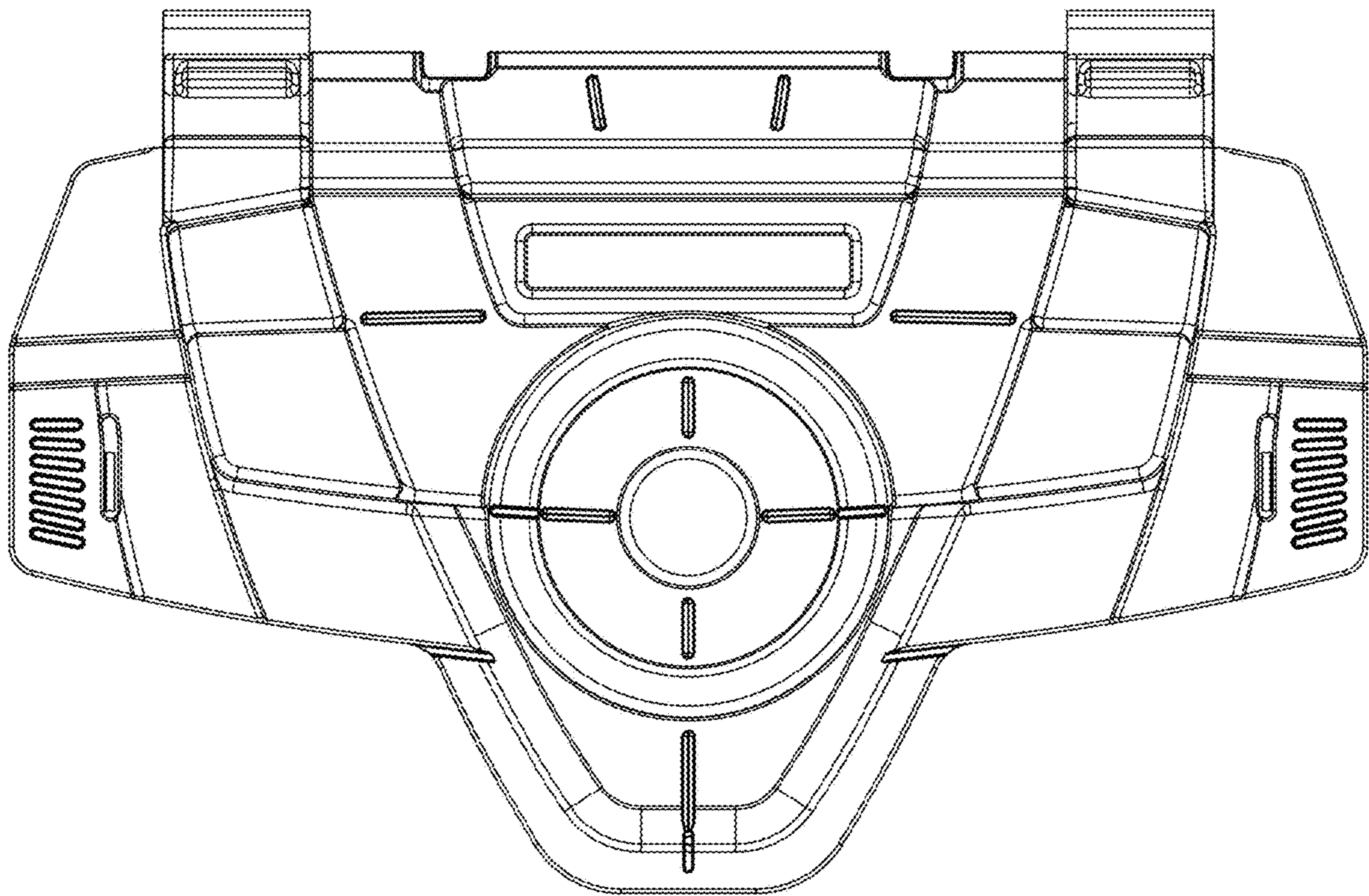
1.1



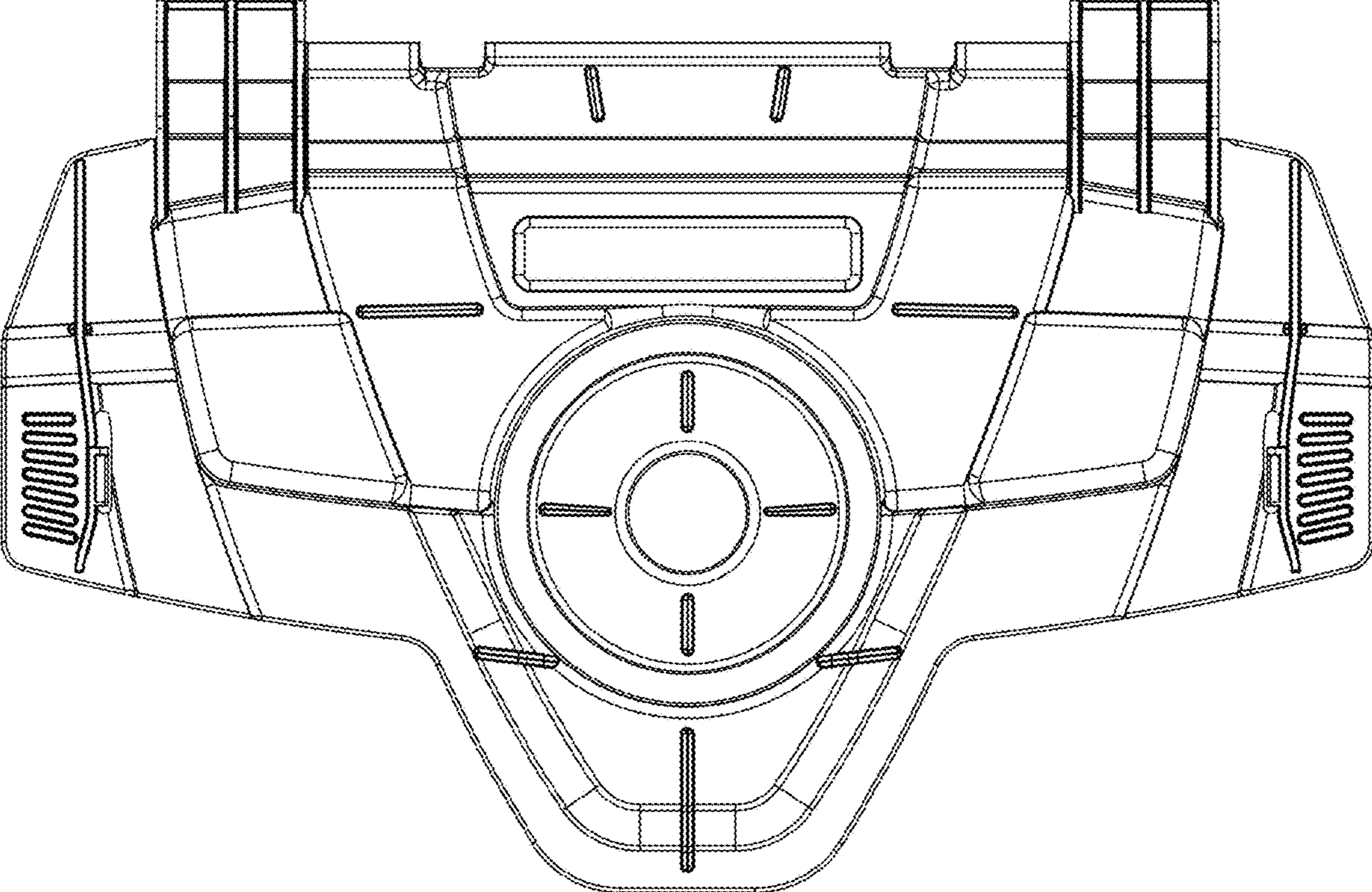
1.2



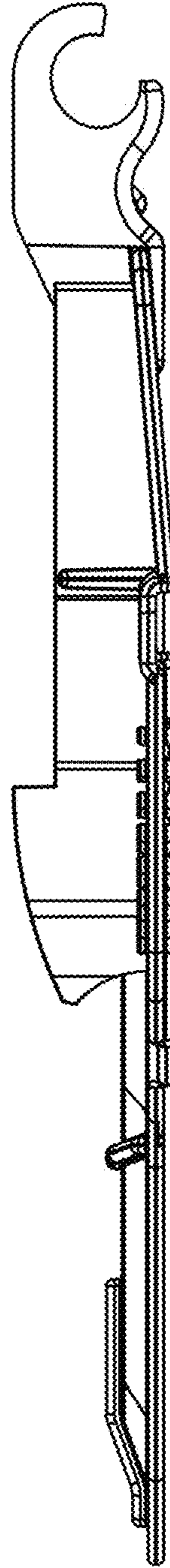
1.3



1.4



1.5



1.6



1.7

