



US00D955856S

(12) **United States Design Patent**
Moore

(10) **Patent No.:** **US D955,856 S**

(45) **Date of Patent:** **** Jun. 28, 2022**

(54) **SANITARY KEY BOW**

(71) Applicant: **JS Products, Inc.**, Las Vegas, NV (US)

(72) Inventor: **James E. Moore**, Las Vegas, NV (US)

(73) Assignee: **JS Products, Inc.**, Las Vegas, NV (US)

(**) Term: **15 Years**

(21) Appl. No.: **29/652,409**

(22) Filed: **Aug. 8, 2020**

(51) **LOC (13) Cl.** **08-07**

(52) **U.S. Cl.**

USPC **D8/347**

(58) **Field of Classification Search**

USPC D8/347

CPC .. E05B 19/0076; E05B 19/20; E05B 19/0029;
E05B 19/24; E05B 19/0017; E05B
19/0052; E05B 19/0088; E05B 19/04;
E05B 19/043; E05B 19/046; Y10T
70/7486; Y10T 70/7441; Y10T 70/7876;
G07C 9/00944; G07C 2009/00992

See application file for complete search history.

(56) **References Cited**

U.S. PATENT DOCUMENTS

D556,542 S * 12/2007 Wainwright D8/347
D569,227 S * 5/2008 Boenisch D8/347

D618,983 S * 7/2010 Downes D8/347
2017/0335601 A1* 11/2017 Adelman E05B 19/24
2018/0376569 A1* 12/2018 Vang H05B 47/16

* cited by examiner

Primary Examiner — Doris Clark

(74) *Attorney, Agent, or Firm* — Weide & Miller, Ltd.

(57) **CLAIM**

The ornamental design for a sanitary key bow, as shown and described.

DESCRIPTION

FIG. 1 is a front, top, left perspective view of a sanitary key bow showing the new design.

FIG. 2 is a front, top, right perspective view of the sanitary key bow of FIG. 1.

FIG. 3 is a top view of the sanitary key bow of FIG. 1.

FIG. 4 is a front view of the sanitary key bow of FIG. 1.

FIG. 5 is a bottom view of the sanitary key bow of FIG. 1.

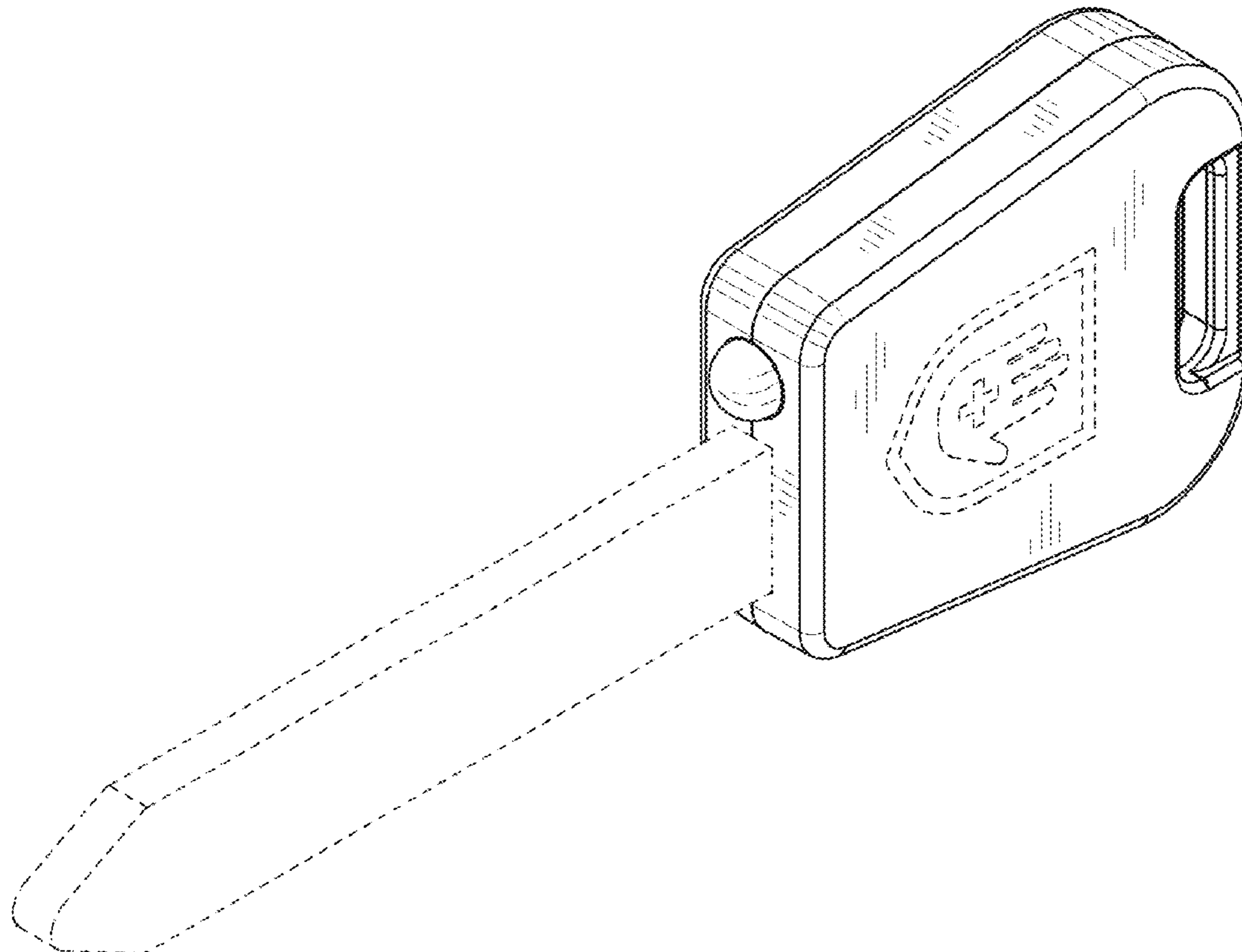
FIG. 6 is a rear view of the sanitary key bow of FIG. 1.

FIG. 7 is a left-side view of the sanitary key bow of FIG. 1; and,

FIG. 8 is a right-side view of the sanitary key bow of FIG. 1.

The broken lines indicate unclaimed portions of the article and form no part of the claimed design.

1 Claim, 2 Drawing Sheets



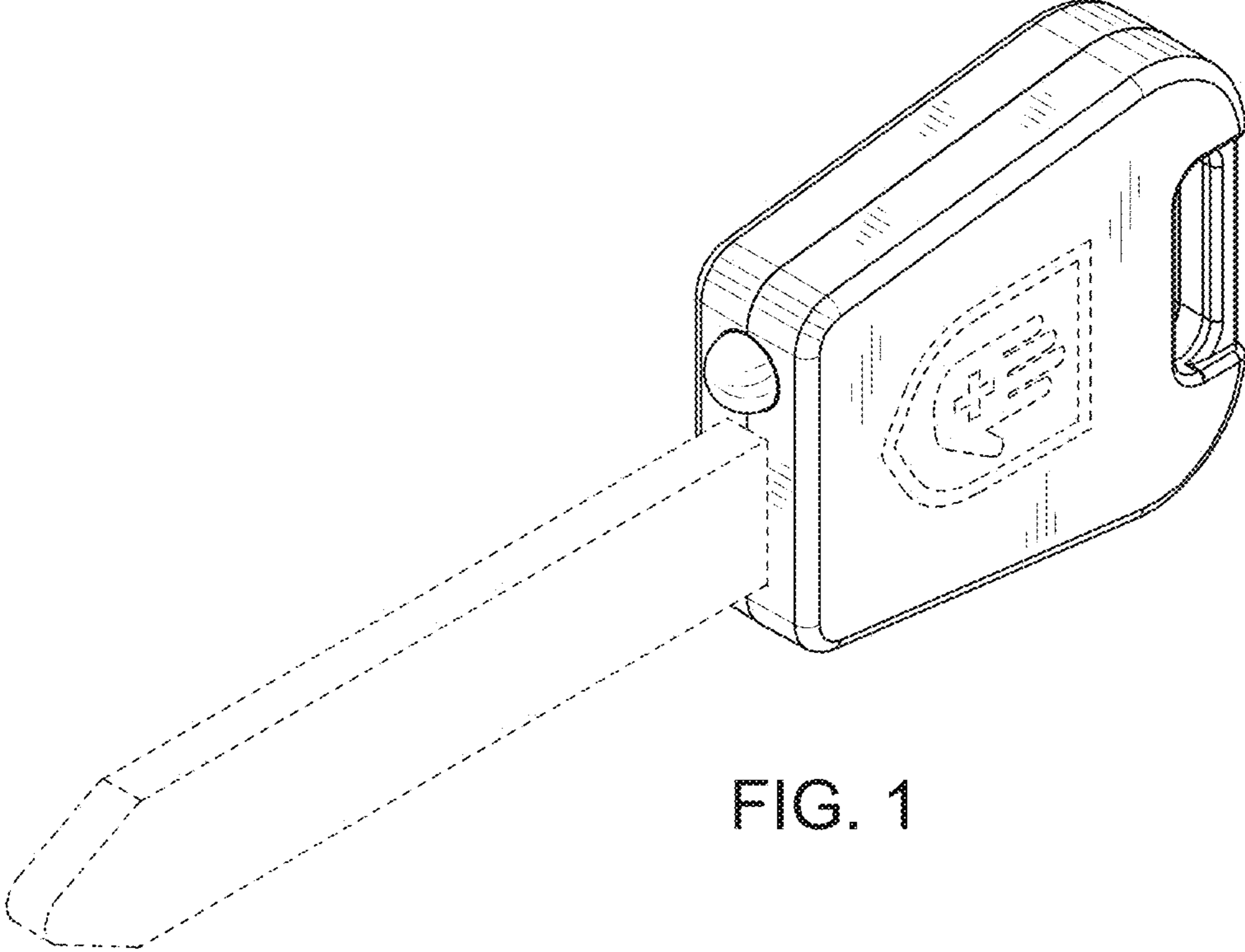


FIG. 1

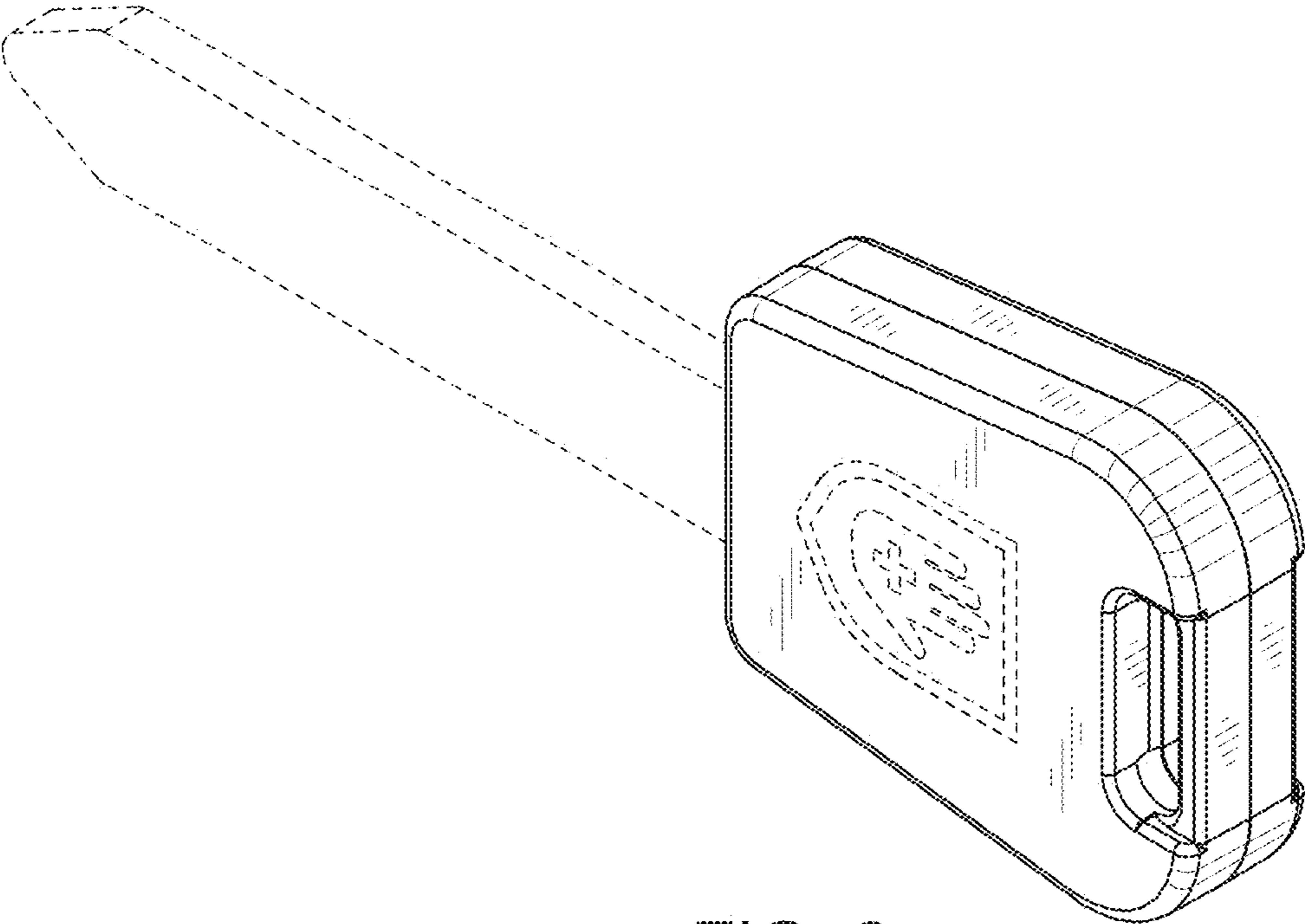


FIG. 2

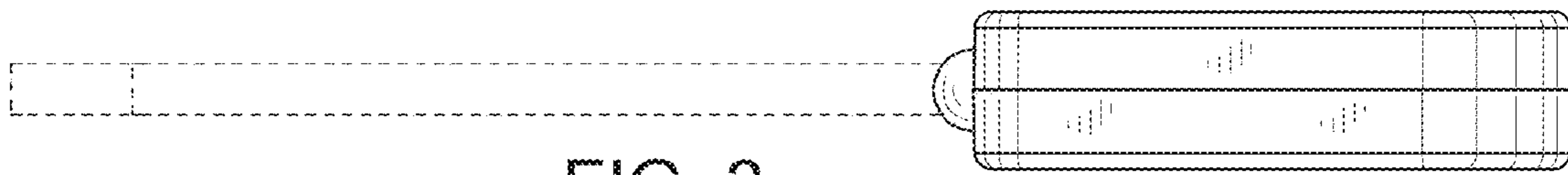


FIG. 3

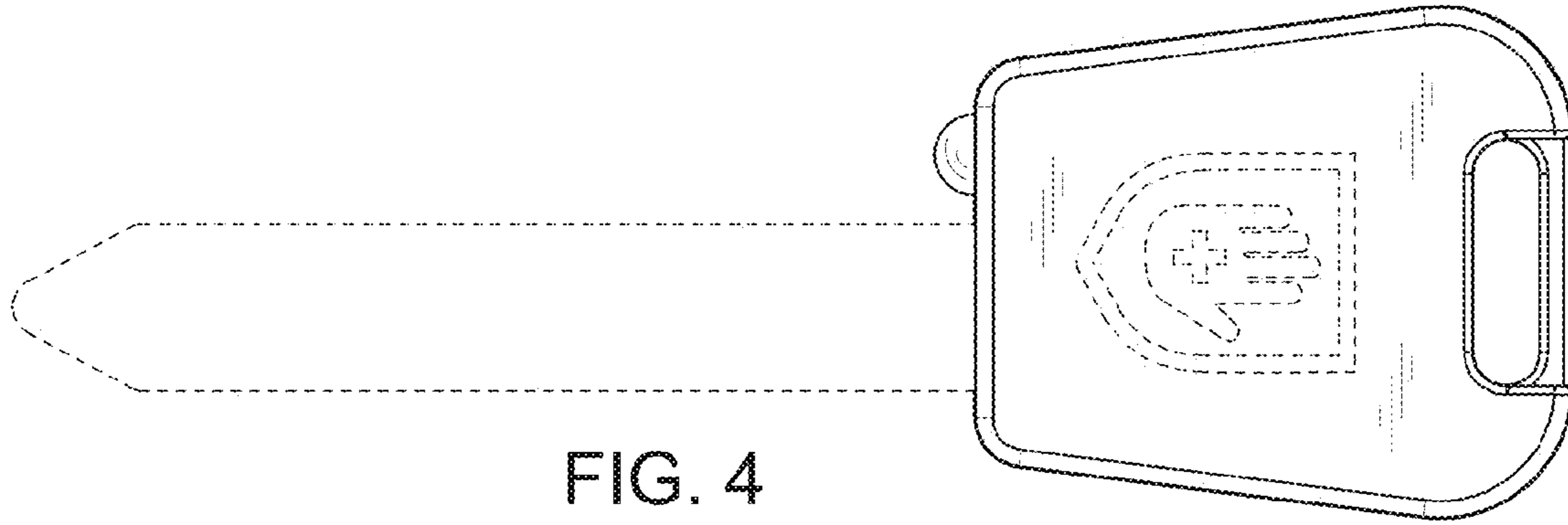


FIG. 4

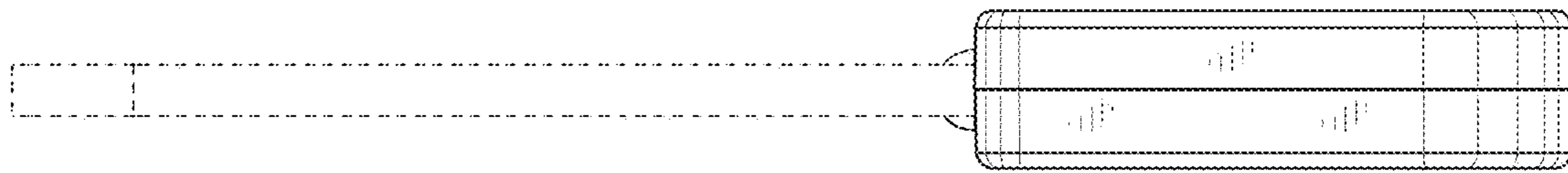


FIG. 5

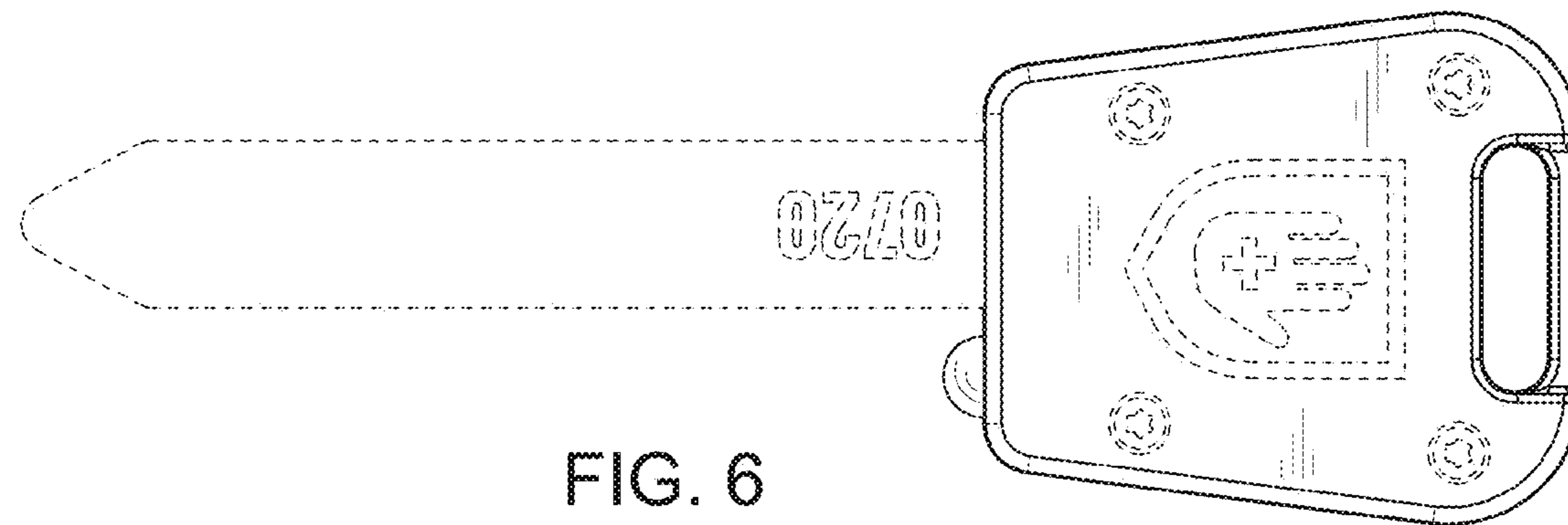


FIG. 6

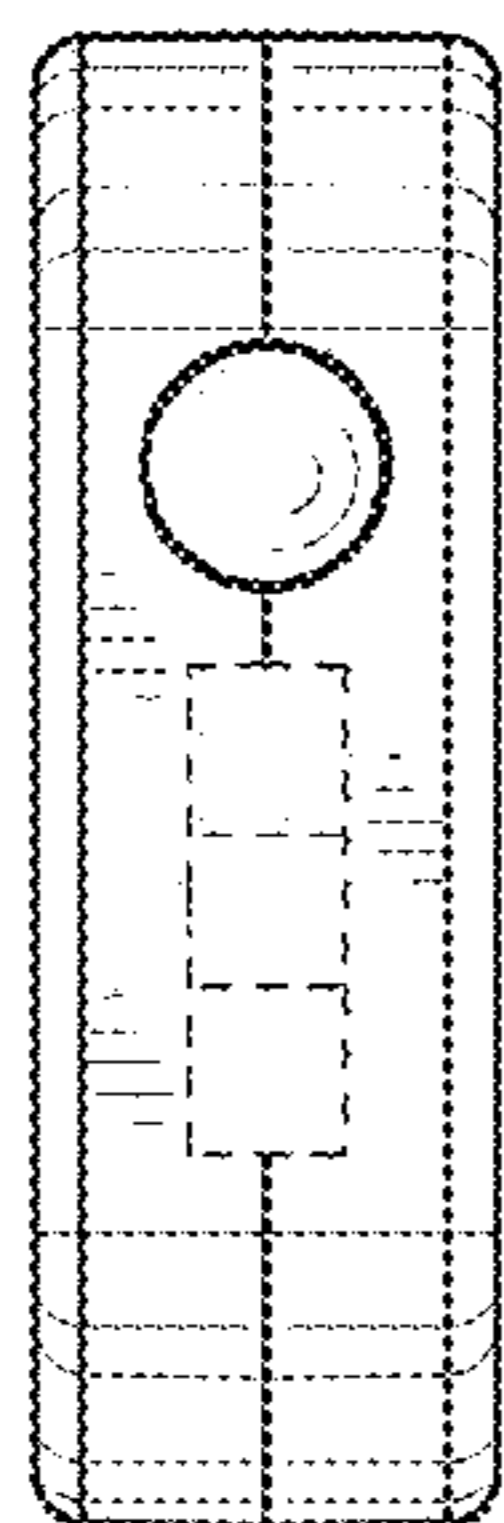


FIG. 7

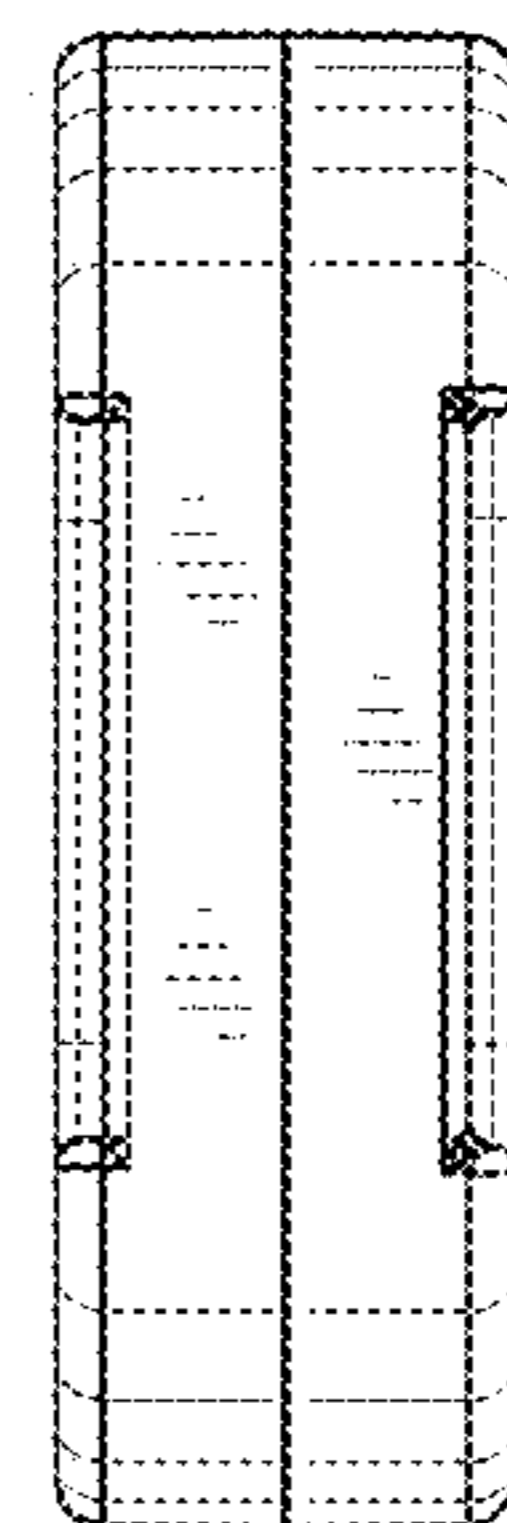


FIG. 8