



US00D955854S

(12) **United States Design Patent** (10) **Patent No.:** **US D955,854 S**
Lazarini (45) **Date of Patent:** **** Jun. 28, 2022**

(54) **PULL**
(71) Applicant: **DELTA FAUCET COMPANY**,
Indianapolis, IN (US)
(72) Inventor: **Alejandra Lazarini**, Carmel, IN (US)
(73) Assignee: **DELTA FAUCET COMPANY**,
Indianapolis, IN (US)
(**) Term: **15 Years**
(21) Appl. No.: **29/759,861**
(22) Filed: **Nov. 25, 2020**
(51) **LOC (13) Cl.** **08-06**
(52) **U.S. Cl.**
USPC **D8/315**
(58) **Field of Classification Search**
USPC D8/315–316, 319–322
CPC A47B 95/02; Y10T 16/458; Y10T 16/462
See application file for complete search history.

D879,583 S * 3/2020 Bunn D8/316
D880,272 S * 4/2020 Bunn D8/316
D880,978 S * 4/2020 Bunn D8/316

OTHER PUBLICATIONS

“Liberty Asymmetric Cabinet Hardware Handle Pull”, Mar. 26, 2010, Amazon.com, site visited Jan. 20, 2022: <https://www.amazon.com/dp/B0055M85MI> (Year: 2010).*
“Liberty Curved Cutout Cabinet Hardware Handle Pull”, Mar. 26, 2010, Amazon.com, site visited Jan. 20, 2022: <https://www.amazon.com/Liberty-P01321-SN-C-Curved-Cabinet-Hardware/dp/B0055LROY> (Year: 2010).*
“Formosa Design Hardware Brushed Nickel Curved Style Pulls”, Jan. 2, 2020, Amazon.com, site visited Jan. 20, 2022: <https://www.amazon.com/dp/B083F8NV29> (Year: 2020).*

* cited by examiner

Primary Examiner — Jack Reickel
Assistant Examiner — Michael A Kervin
(74) *Attorney, Agent, or Firm* — Nirav D. Parikh; Edgar A. Zarins

(57) **CLAIM**

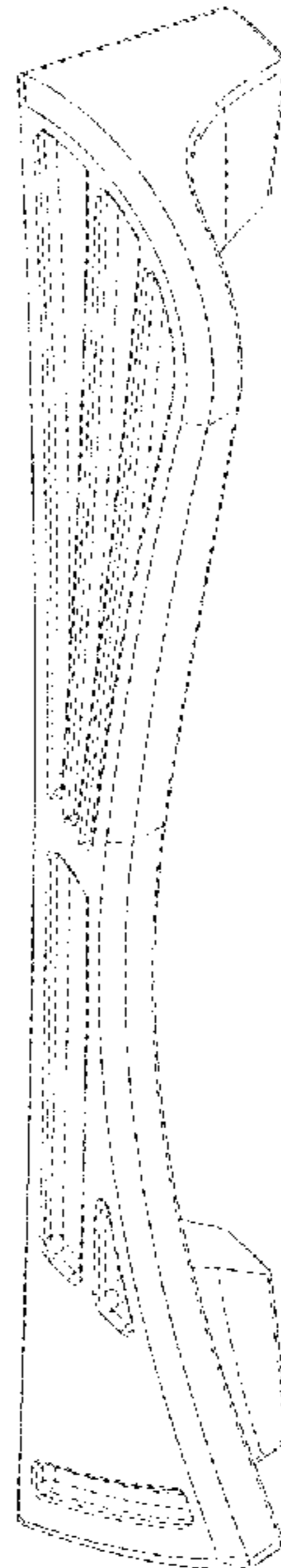
The ornamental design for a pull, as shown and described.

DESCRIPTION

FIG. 1 is a front perspective view of a pull showing my new design;
FIG. 2 is a rear perspective view thereof;
FIG. 3 is a front elevational view thereof;
FIG. 4 is a left side view thereof;
FIG. 5 is a rear view thereof;
FIG. 6 is a right side view thereof;
FIG. 7 is a top plan view thereof; and,
FIG. 8 is a bottom view thereof.

1 Claim, 4 Drawing Sheets

(56) **References Cited**
U.S. PATENT DOCUMENTS
D330,839 S * 11/1992 Barrington D8/315
D370,167 S * 5/1996 Edwards D8/320
D374,390 S * 10/1996 De’Armond D8/320
D390,441 S * 2/1998 Ciesko D8/320
D401,835 S * 12/1998 Burns D8/317
D423,905 S * 5/2000 Keller D8/320
D567,626 S * 4/2008 Mattson D8/307
D642,891 S * 8/2011 Roe D8/317
D646,551 S * 10/2011 Owens D8/317
D661,973 S * 6/2012 Han D8/317
D661,974 S * 6/2012 Han D8/320
D878,896 S * 3/2020 Warmenhoven D8/315
D878,900 S * 3/2020 Warmenhoven D8/316



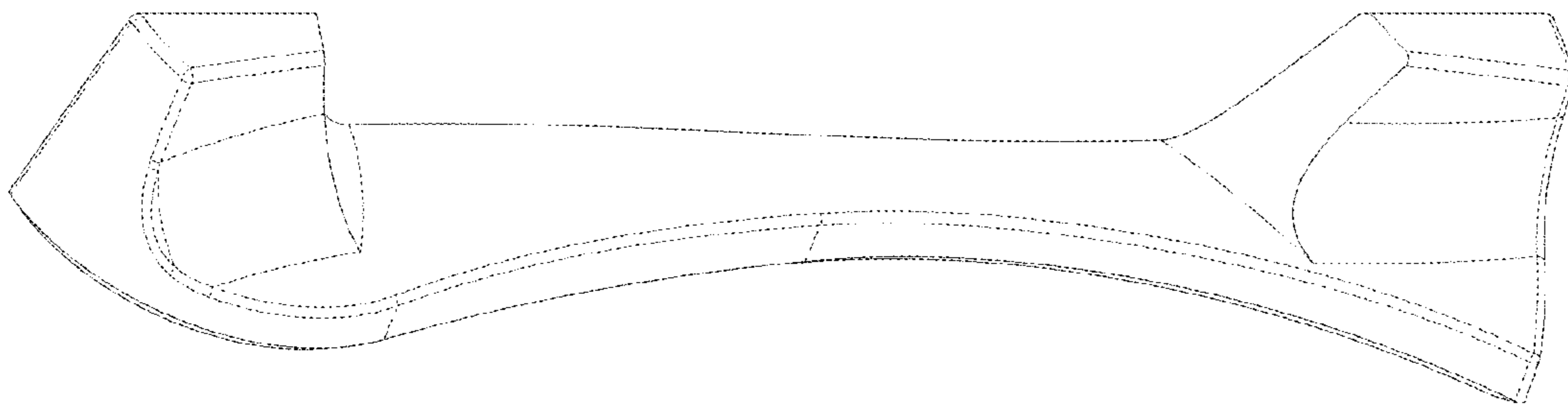


FIG - 2

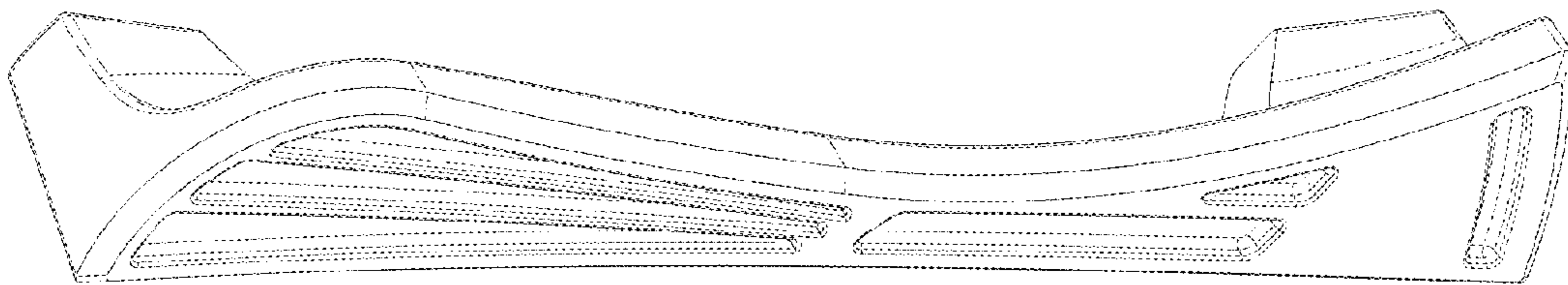


FIG - 1

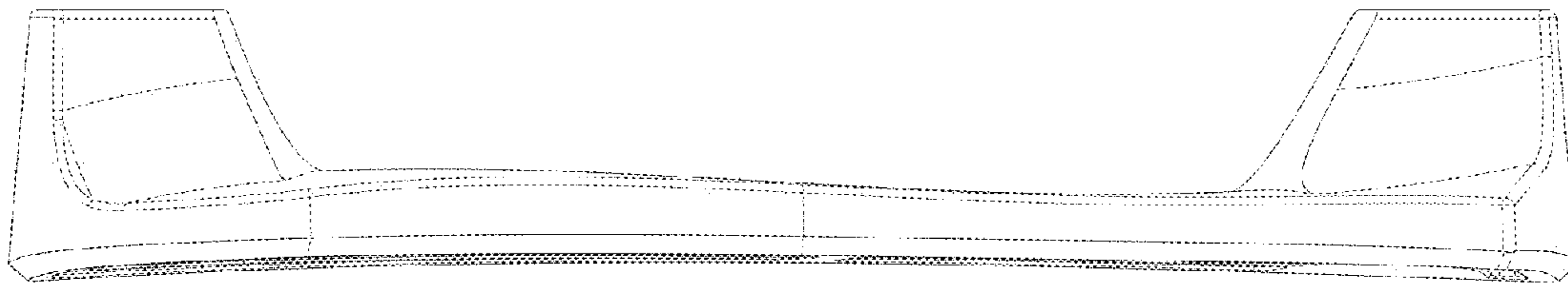


FIG - 4

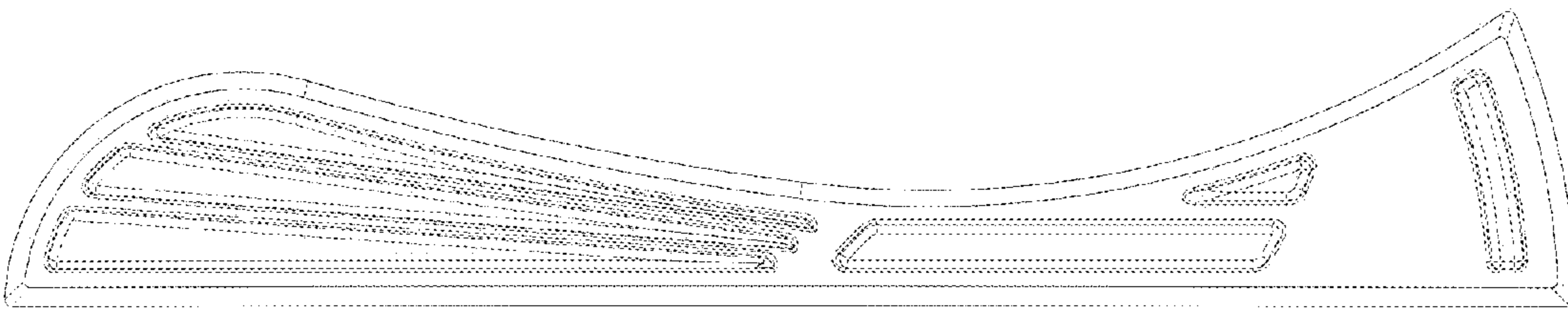


FIG - 3

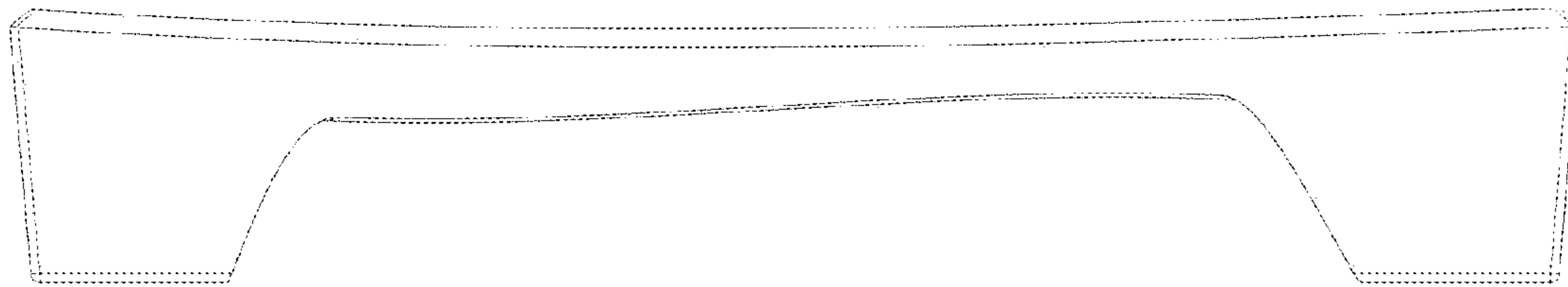


FIG - 6

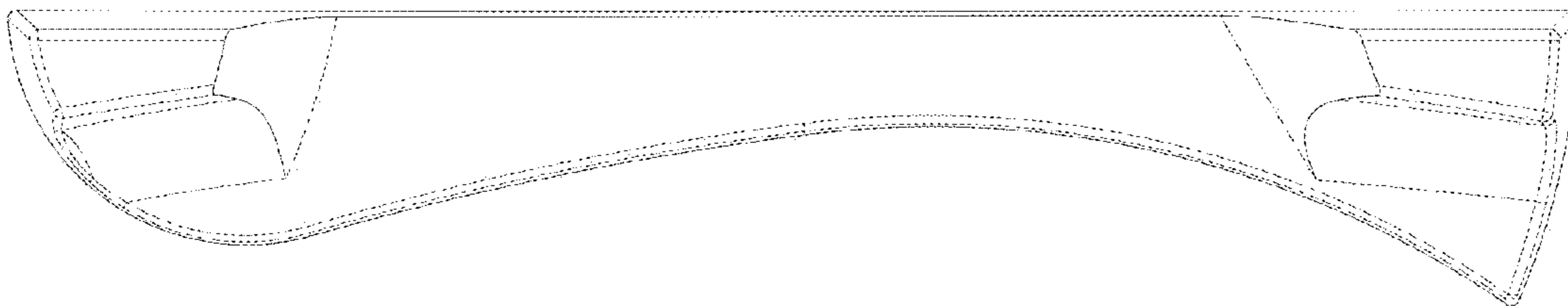


FIG - 5

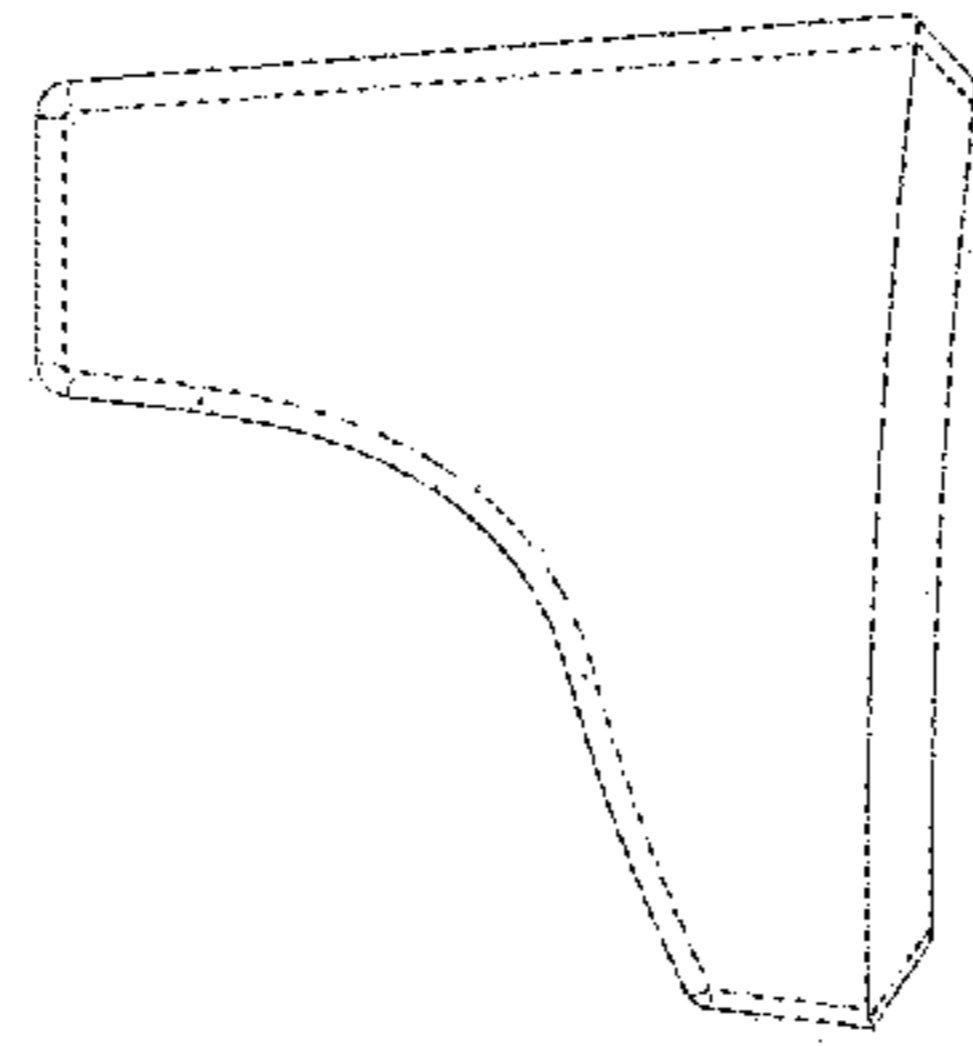


FIG - 8

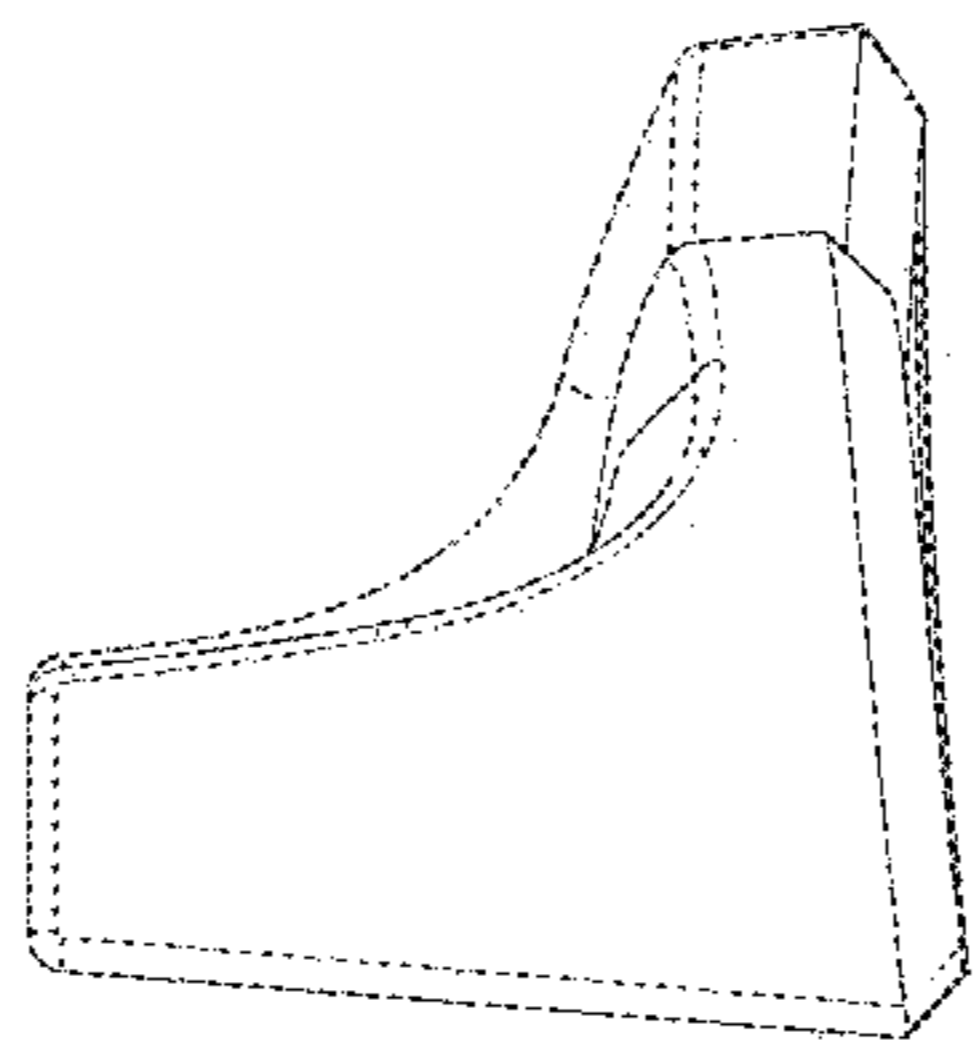


FIG - 7