



US00D955853S

(12) **United States Design Patent**
Carlino

(10) **Patent No.:** **US D955,853 S**
(45) **Date of Patent:** **** Jun. 28, 2022**

(54) **DOOR PULL FOR SLIDING DOORS**

(71) Applicant: **Tirar Pty Ltd**, Waitara (AU)

(72) Inventor: **Felice Carlino**, Waitara (AU)

(73) Assignee: **Tirar Pty Ltd**, Waitara (AU)

(**) Term: **15 Years**

(21) Appl. No.: **29/738,756**

(22) Filed: **Jun. 19, 2020**

(30) **Foreign Application Priority Data**

Dec. 19, 2019 (AU) 201917296

(51) **LOC (13) Cl.** **08-06**

(52) **U.S. Cl.**
USPC **D8/313**

(58) **Field of Classification Search**
USPC D8/300, 301, 302, 313, 315, 316, 318,
D8/319, 320, 331; D7/393, 394
CPC Y10T 16/469; Y10T 16/44; Y10T 16/498;
Y10T 16/459; Y10T 74/20732; Y10T
16/462; Y10T 29/49826; Y10T 16/4559;
Y10T 74/20864; Y10T 16/4628; Y10T
407/1825; Y10T 408/96; Y10T 74/20612;
Y10T 137/6024; B25G 1/10; B25G 1/00;
B25G 3/00

See application file for complete search history.

(56) **References Cited**

U.S. PATENT DOCUMENTS

2,698,456 A * 1/1955 Duvall E05B 65/0007
16/412
D191,032 S * 8/1961 De Vines D8/313

3,095,227 A * 6/1963 Casebolt E05B 65/0811
292/244
D249,454 S * 9/1978 Spellier D8/313
D272,714 S * 2/1984 LeGrand D8/301
5,074,009 A * 12/1991 Simonton A47B 95/02
16/416
5,740,849 A * 4/1998 Tashman E05B 65/08
160/102
D409,473 S * 5/1999 Tieu D8/342
D436,832 S * 1/2001 Matsuo D8/313
6,443,504 B1 * 9/2002 Donald G06K 9/00087
292/109
2008/0216284 A1 * 9/2008 Ramsauer E05C 3/042
16/110.1
2020/0071952 A1 * 3/2020 Longest E05B 5/006

* cited by examiner

Primary Examiner — Lauren R Calve

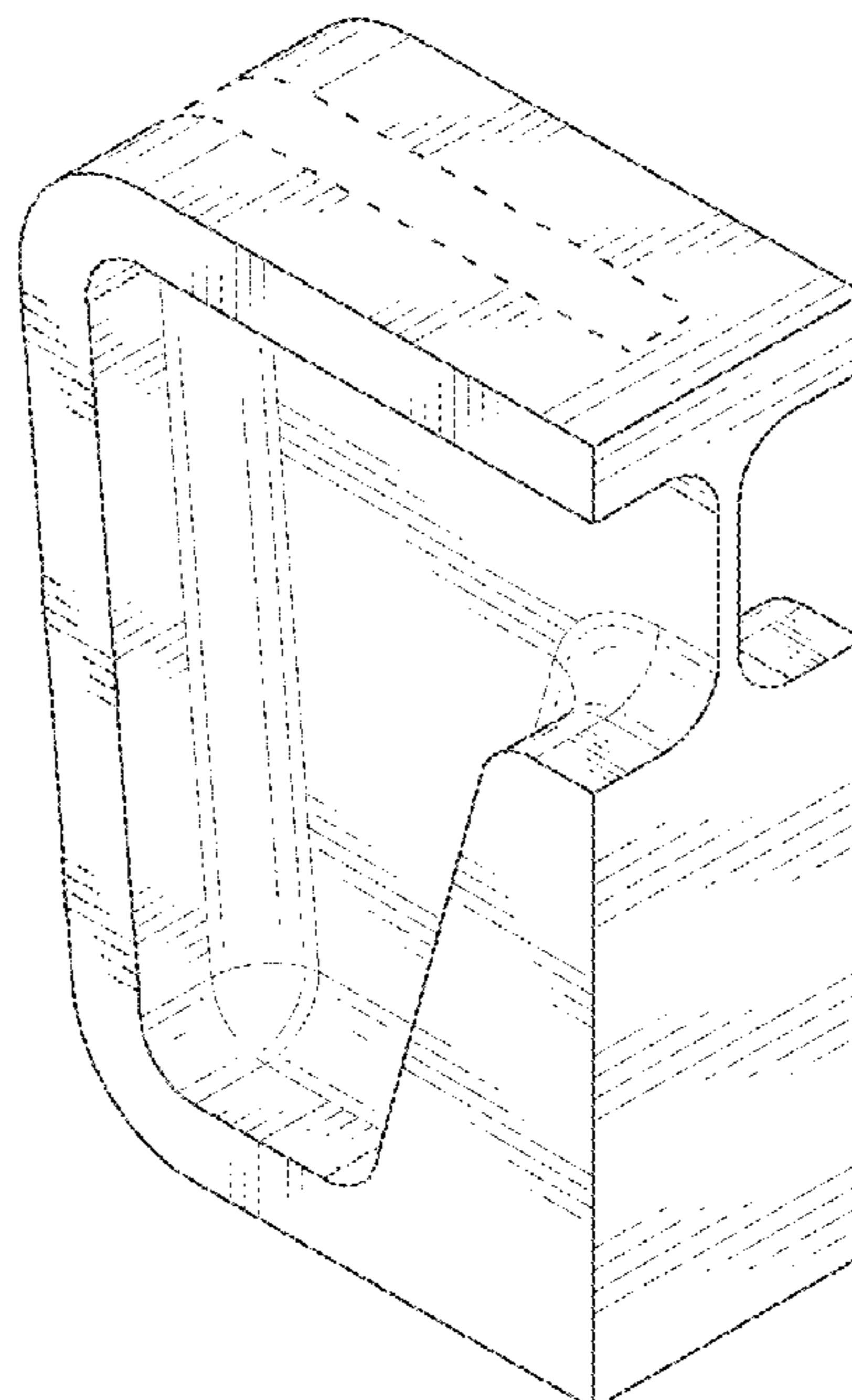
(57) **CLAIM**

The ornamental design for a door pull for sliding doors, as shown and described.

DESCRIPTION

FIG. 1 is a left side elevational view of a door pull for sliding doors showing my new design, the right side elevational view being a mirror image thereof; FIG. 2 is a front elevational view thereof; FIG. 3 is a rear elevational view thereof; FIG. 4 is a top plan view thereof; FIG. 5 is a perspective view thereof; and, FIG. 6 is another perspective view thereof, mounted on a sliding door shown in broken lines. The broken line portions of the article shown in FIGS. 3, 4 and 5 do not form a part of the claimed design. The broken and phantom lines in FIG. 6 are to show environment and do not form part of the claimed design.

1 Claim, 6 Drawing Sheets



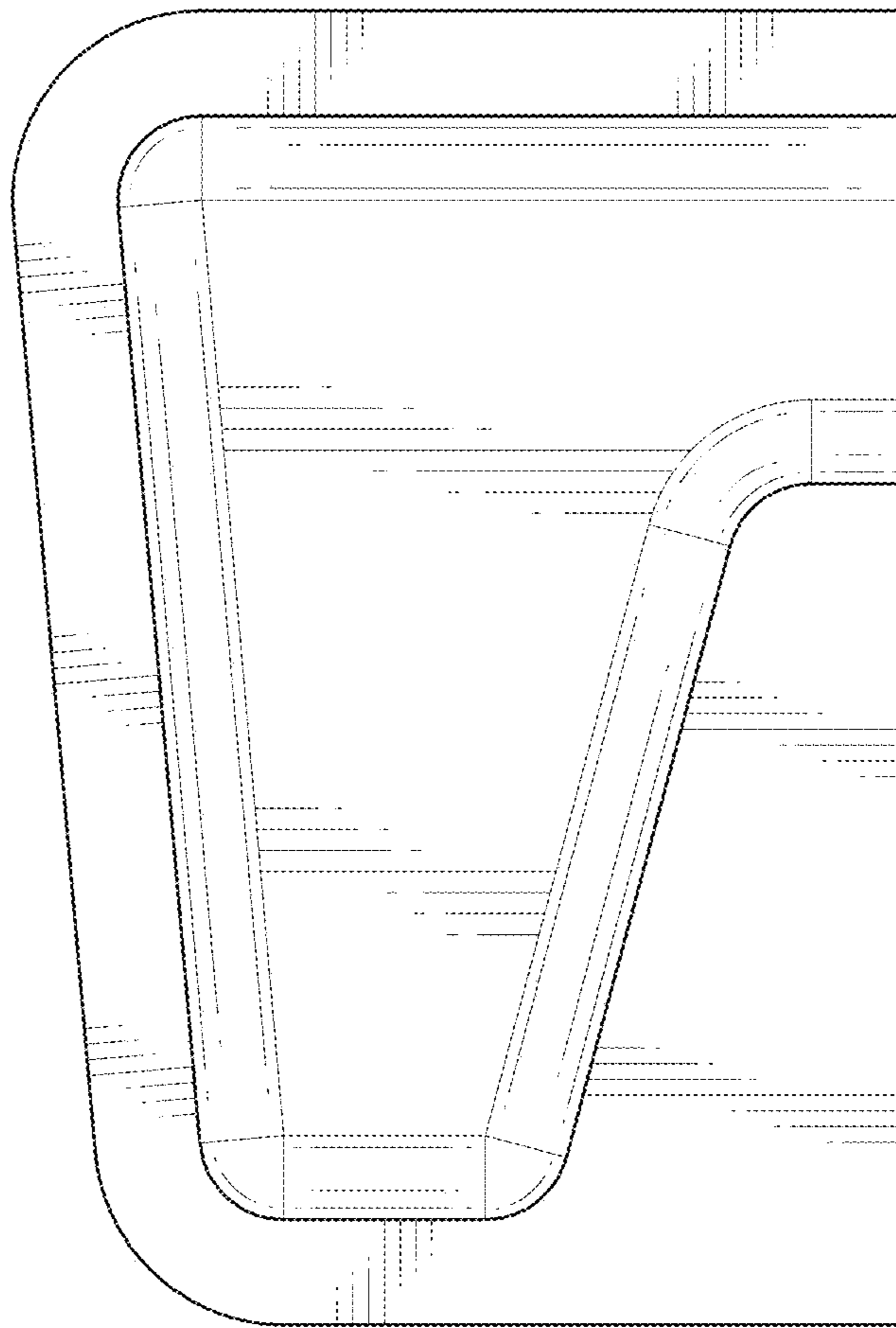


FIG. 1

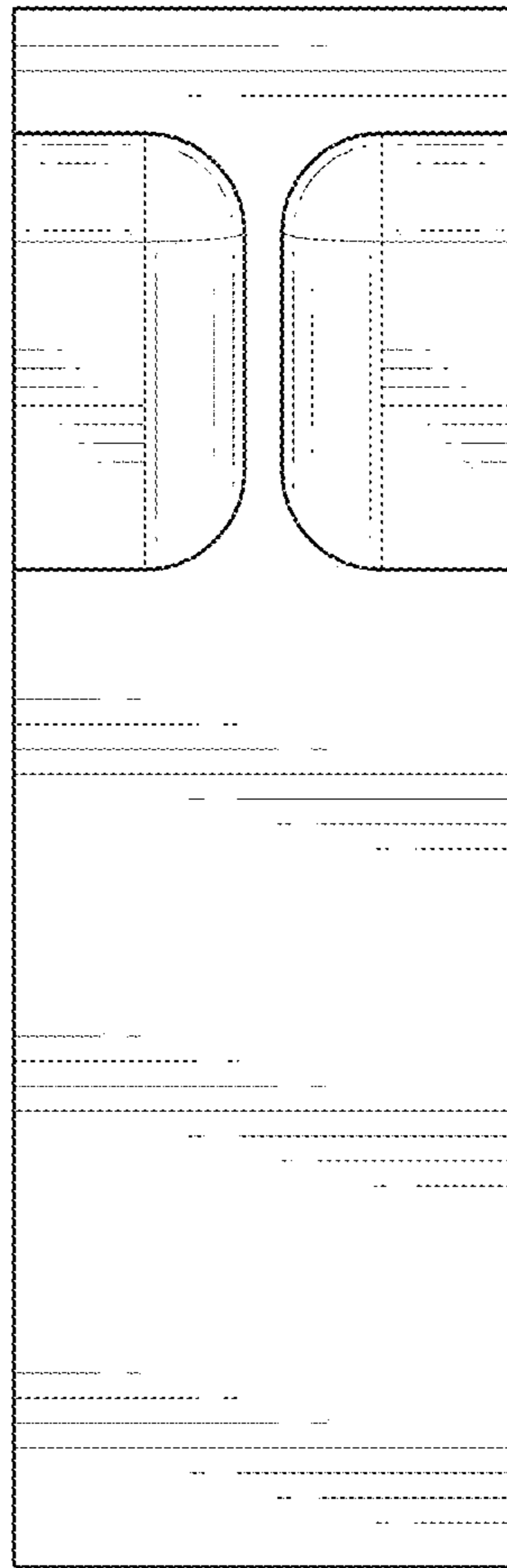


FIG. 2

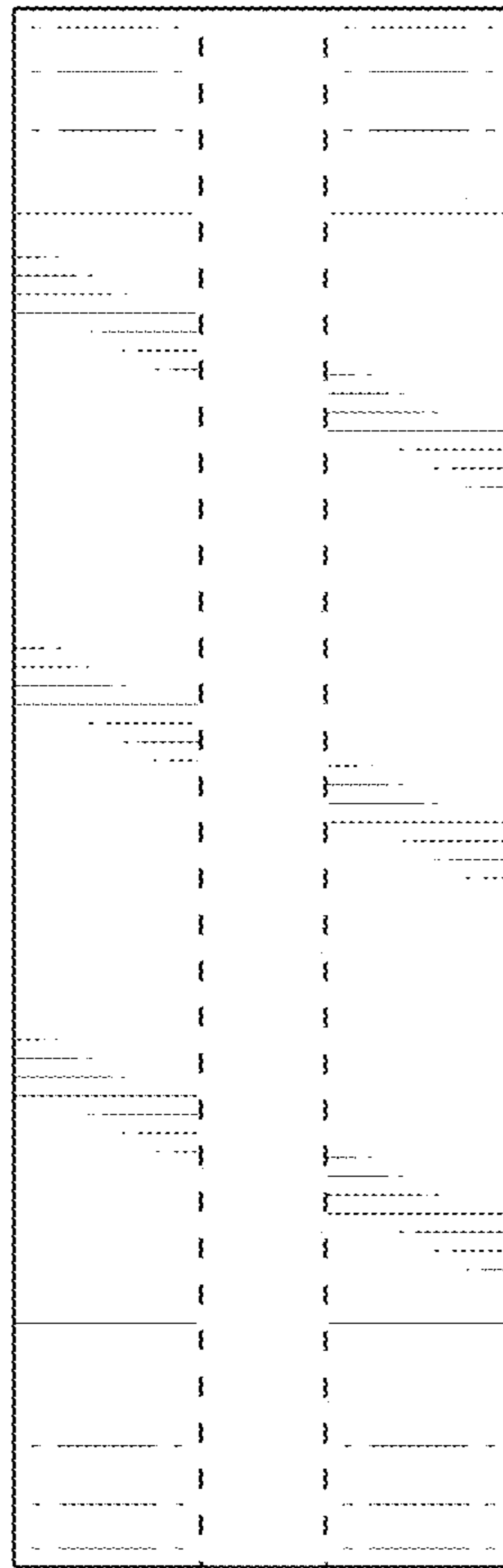


FIG. 3

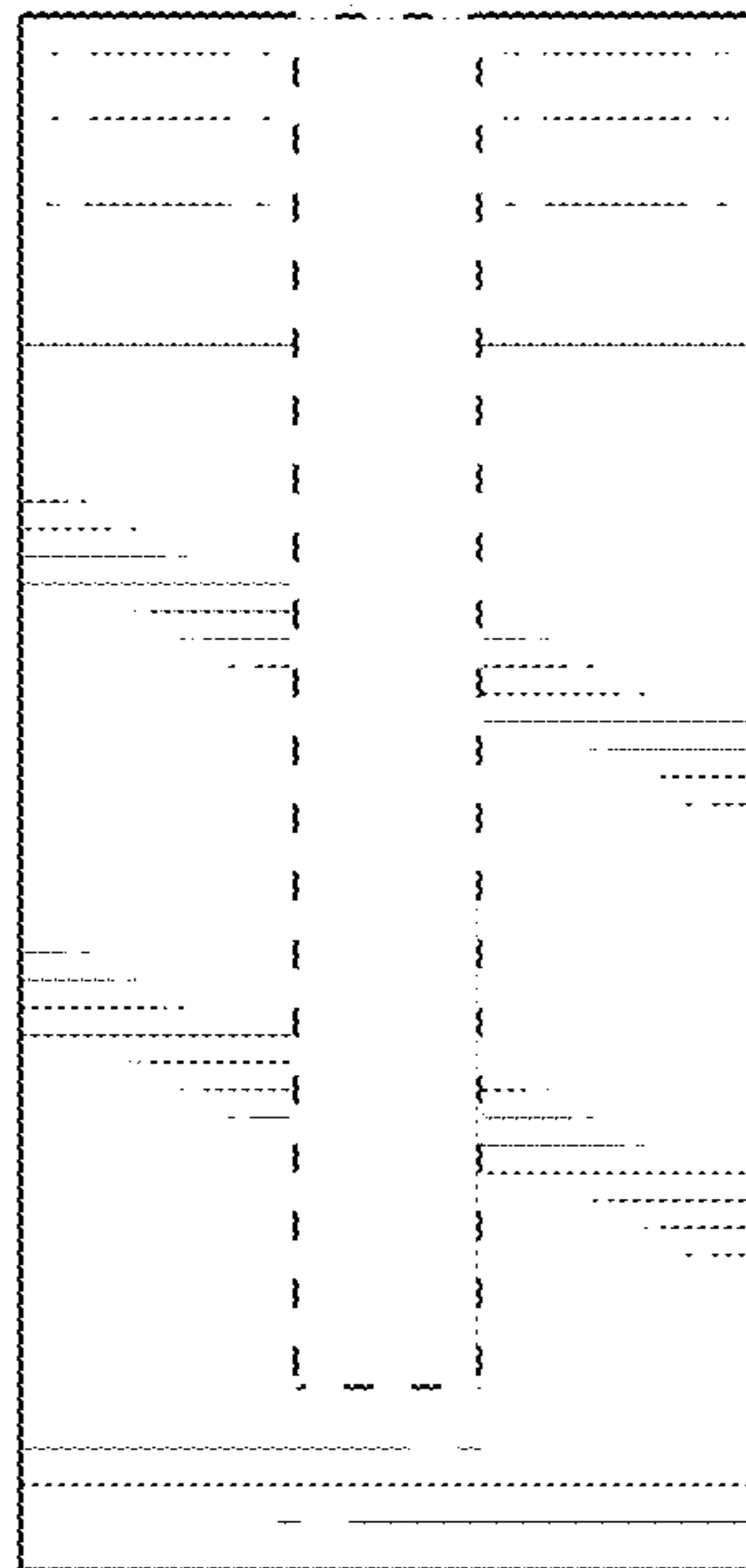


FIG. 4

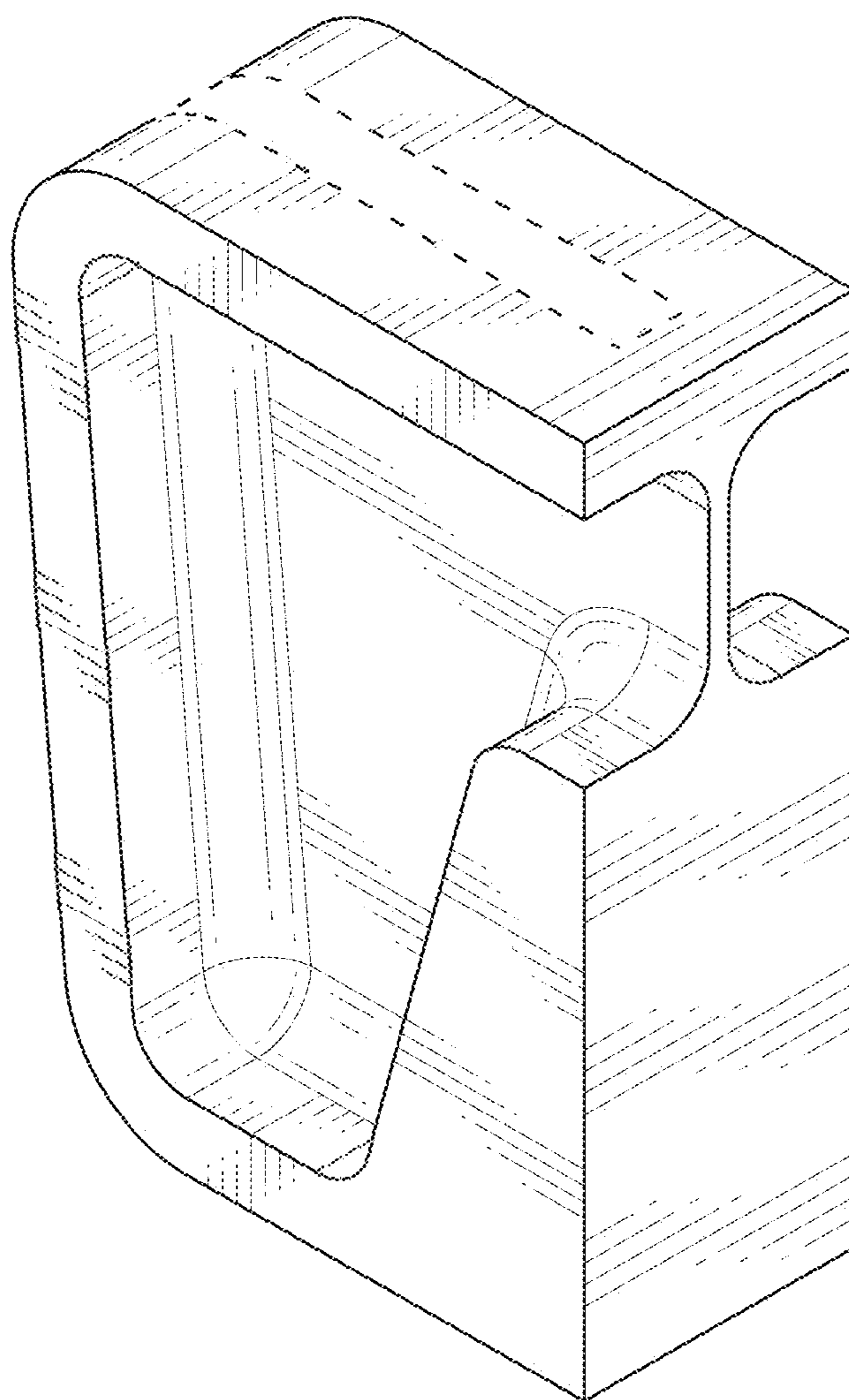


FIG. 5

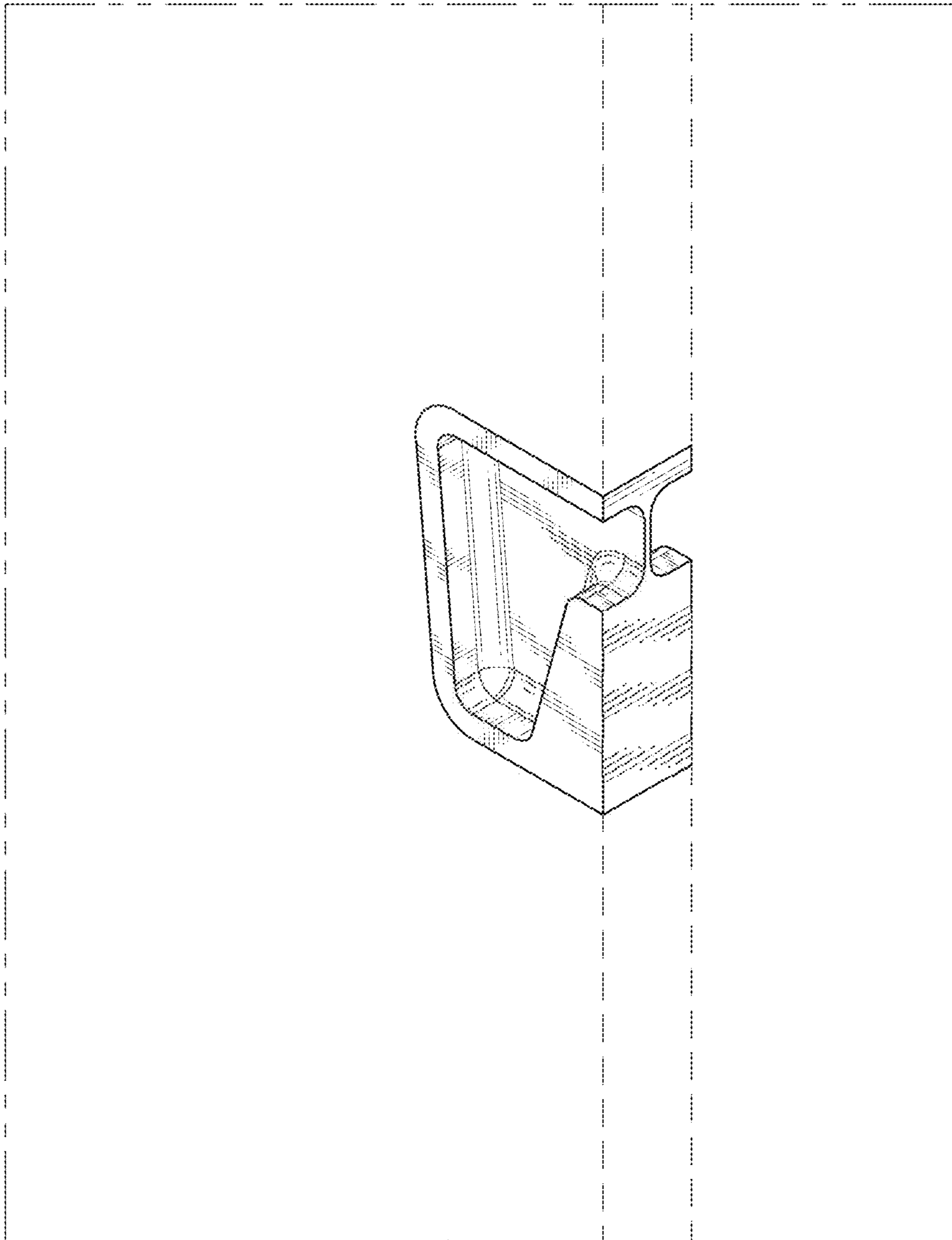


FIG. 6