



US00D955851S

(12) **United States Design Patent**  
**Elser**

(10) **Patent No.:** **US D955,851 S**

(45) **Date of Patent:** **\*\* Jun. 28, 2022**

- (54) **PULL**
- (71) Applicant: **DELTA FAUCET COMPANY**,  
Indianapolis, IN (US)
- (72) Inventor: **Simon Elser**, Indianapolis, IN (US)
- (73) Assignee: **DELTA FAUCET COMPANY**,  
Indianapolis, IN (US)
- (\*\*) Term: **15 Years**
- (21) Appl. No.: **29/766,270**
- (22) Filed: **Jan. 14, 2021**
- (51) **LOC (13) Cl.** ..... **08-06**
- (52) **U.S. Cl.**  
USPC ..... **D8/301; D8/315**
- (58) **Field of Classification Search**  
USPC ..... D8/300, 301, 302, 306, 307, 308, 313,  
D8/314, 315, 316, 318, 319, 320, 331;  
D7/393, 394; D3/281, 318  
CPC . Y10T 16/469; Y10T 16/498; Y10T 16/4713;  
Y10T 16/44; Y10T 16/4571; Y10T  
16/4576; Y10T 16/462  
See application file for complete search history.

- 4,990,149 A \* 2/1991 Fallin ..... A61B 17/1659  
606/85
- 5,127,131 A \* 7/1992 Corrigan ..... B64G 1/641  
248/222.13
- 6,065,250 A \* 5/2000 McCabe ..... E04F 11/1804  
52/27
- D450,113 S \* 11/2001 Teskey ..... D23/373
- 8,505,702 B2 \* 8/2013 Scicluna ..... A45C 13/28  
190/117
- 8,684,435 B1 \* 4/2014 Lee ..... E05B 85/12  
16/110.1
- 8,714,570 B2 \* 5/2014 Skijus ..... B65G 7/12  
16/422
- 9,492,693 B2 \* 11/2016 Byrd ..... A62B 35/0068
- D799,303 S \* 10/2017 Boeltl ..... D8/315

\* cited by examiner

*Primary Examiner* — Lauren R Calve  
(74) *Attorney, Agent, or Firm* — Nirav D. Parikh; Edgar  
A. Zarins

(57) **CLAIM**

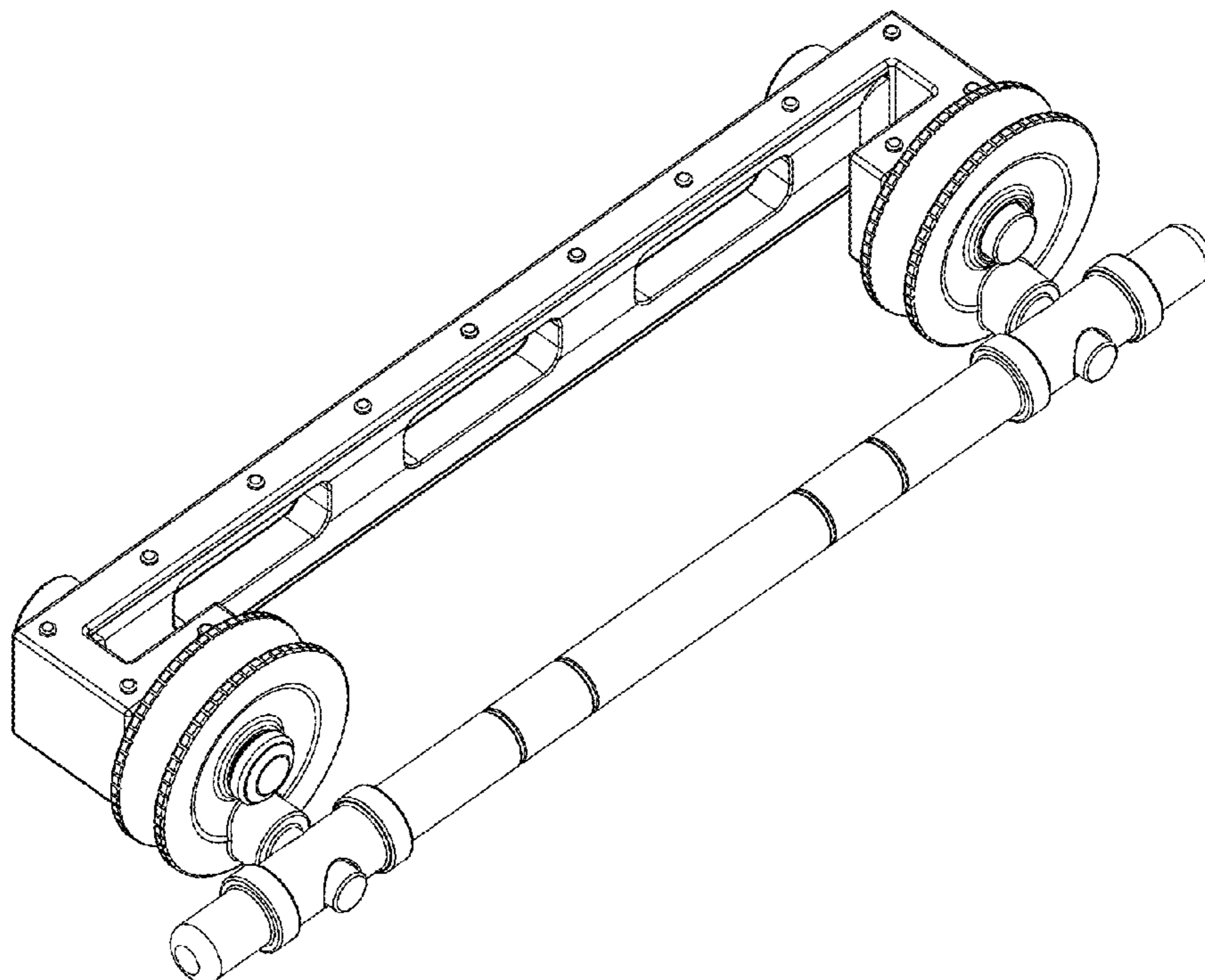
The ornamental design for a pull, as shown and described.

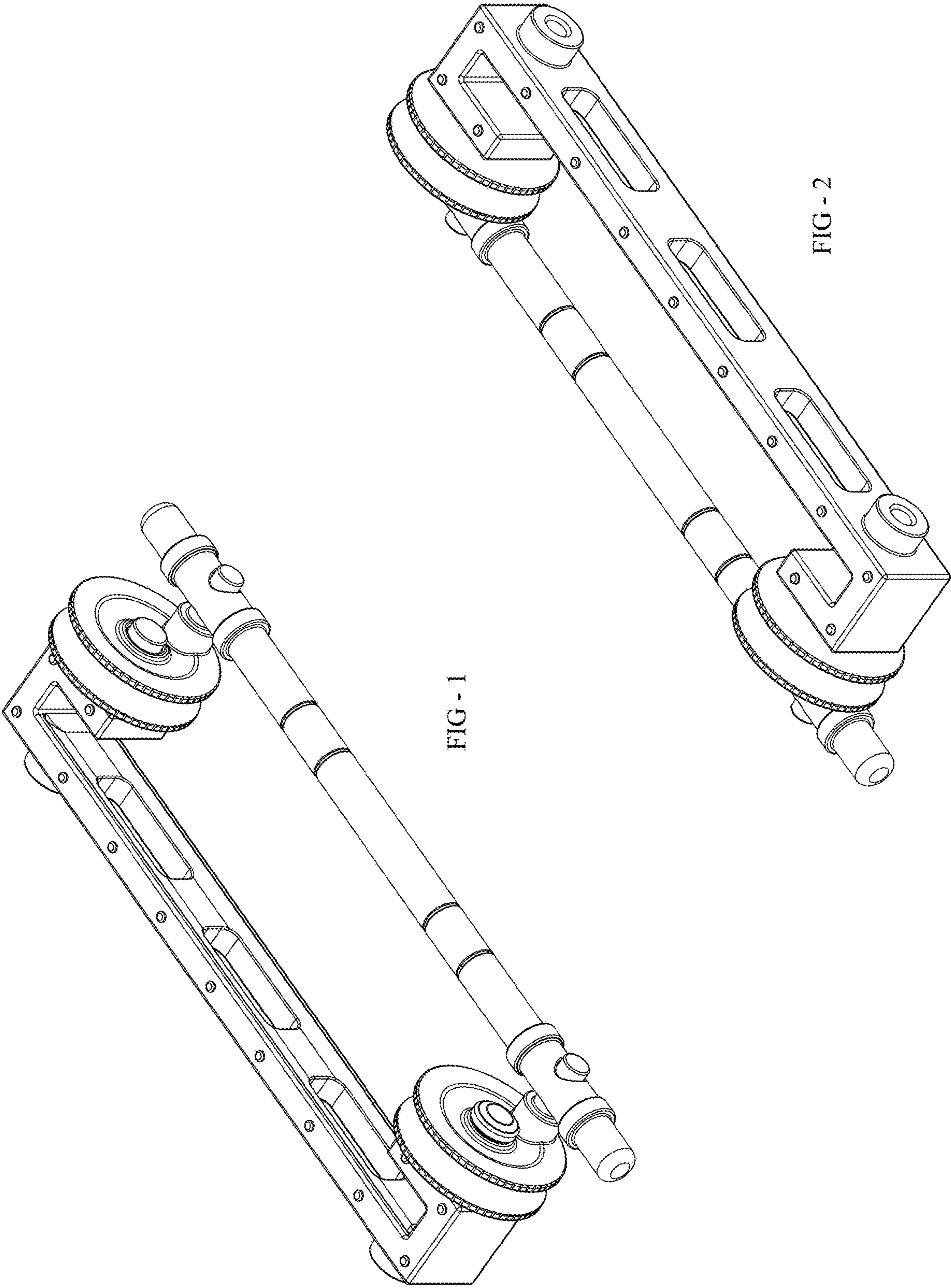
**DESCRIPTION**

FIG. 1 is a front perspective view of a pull showing my new design;  
FIG. 2 is a rear perspective view thereof;  
FIG. 3 is a front elevational view thereof;  
FIG. 4 is a left side view thereof;  
FIG. 5 is a rear view thereof;  
FIG. 6 is a right side view thereof;  
FIG. 7 is a top plan view thereof; and,  
FIG. 8 is a bottom view thereof.

**1 Claim, 4 Drawing Sheets**

- (56) **References Cited**  
U.S. PATENT DOCUMENTS  
D199,667 S \* 12/1964 Sanders ..... D8/302  
3,763,760 A \* 10/1973 Erickson ..... B60H 1/3435  
454/145  
D240,191 S \* 6/1976 Read et al. .... D8/301  
4,378,071 A \* 3/1983 Yakimicki ..... A47H 99/00  
49/70





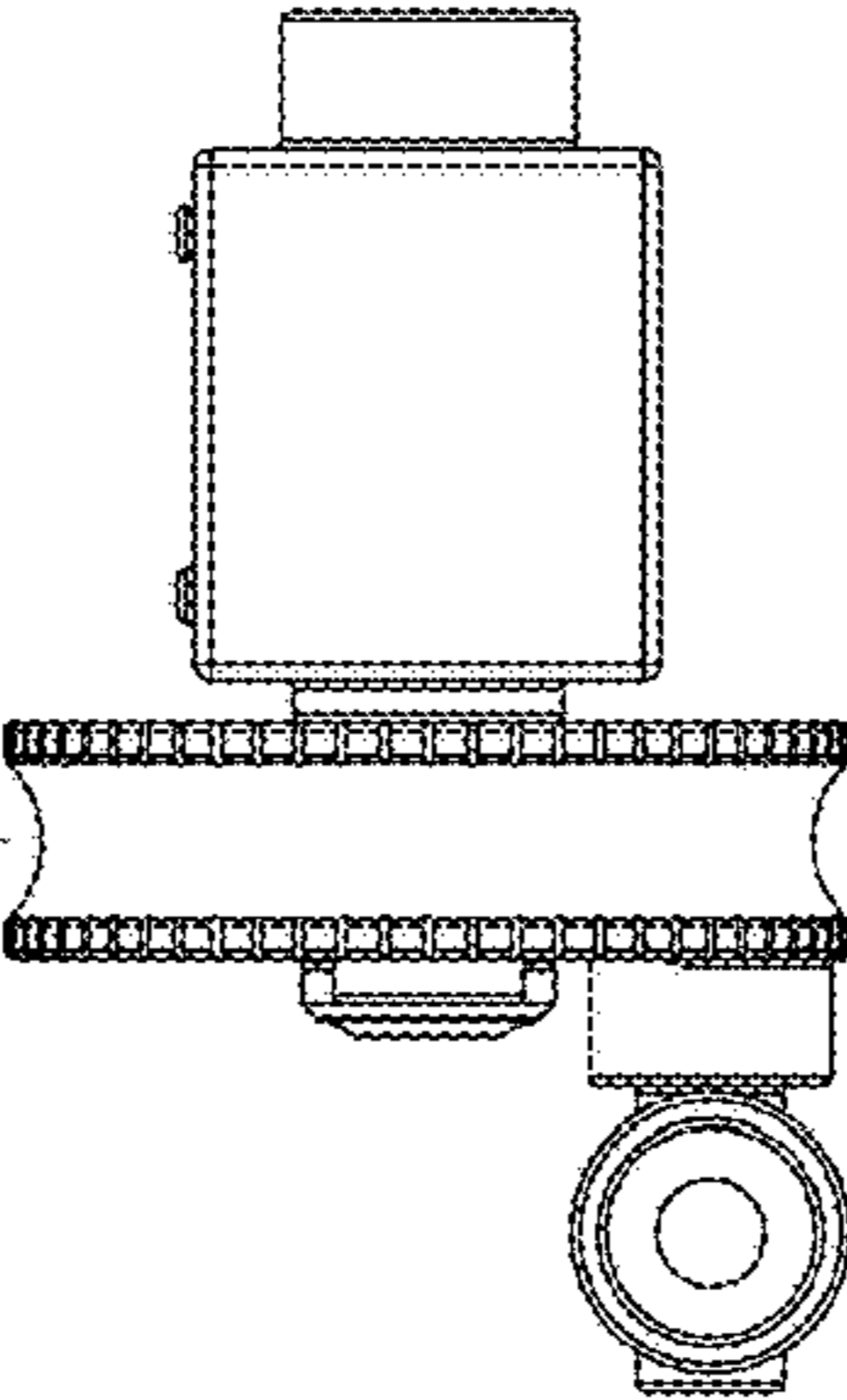


FIG - 4

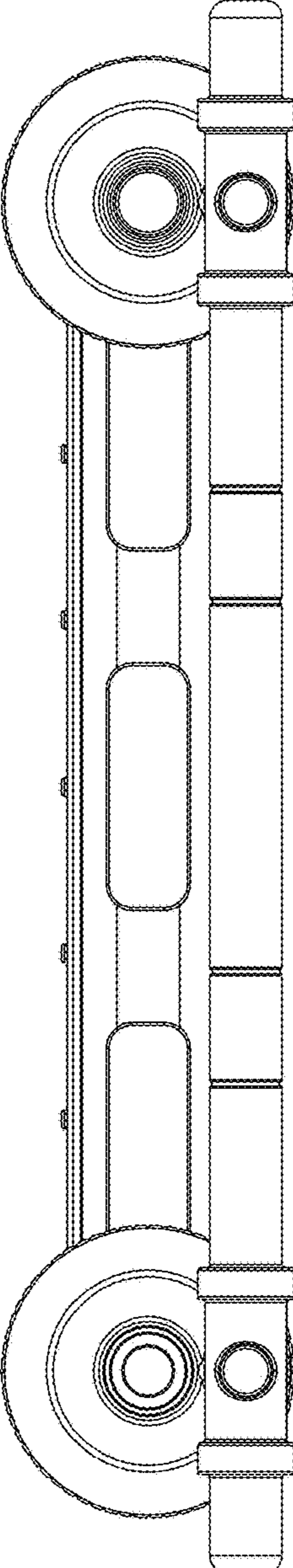


FIG - 3

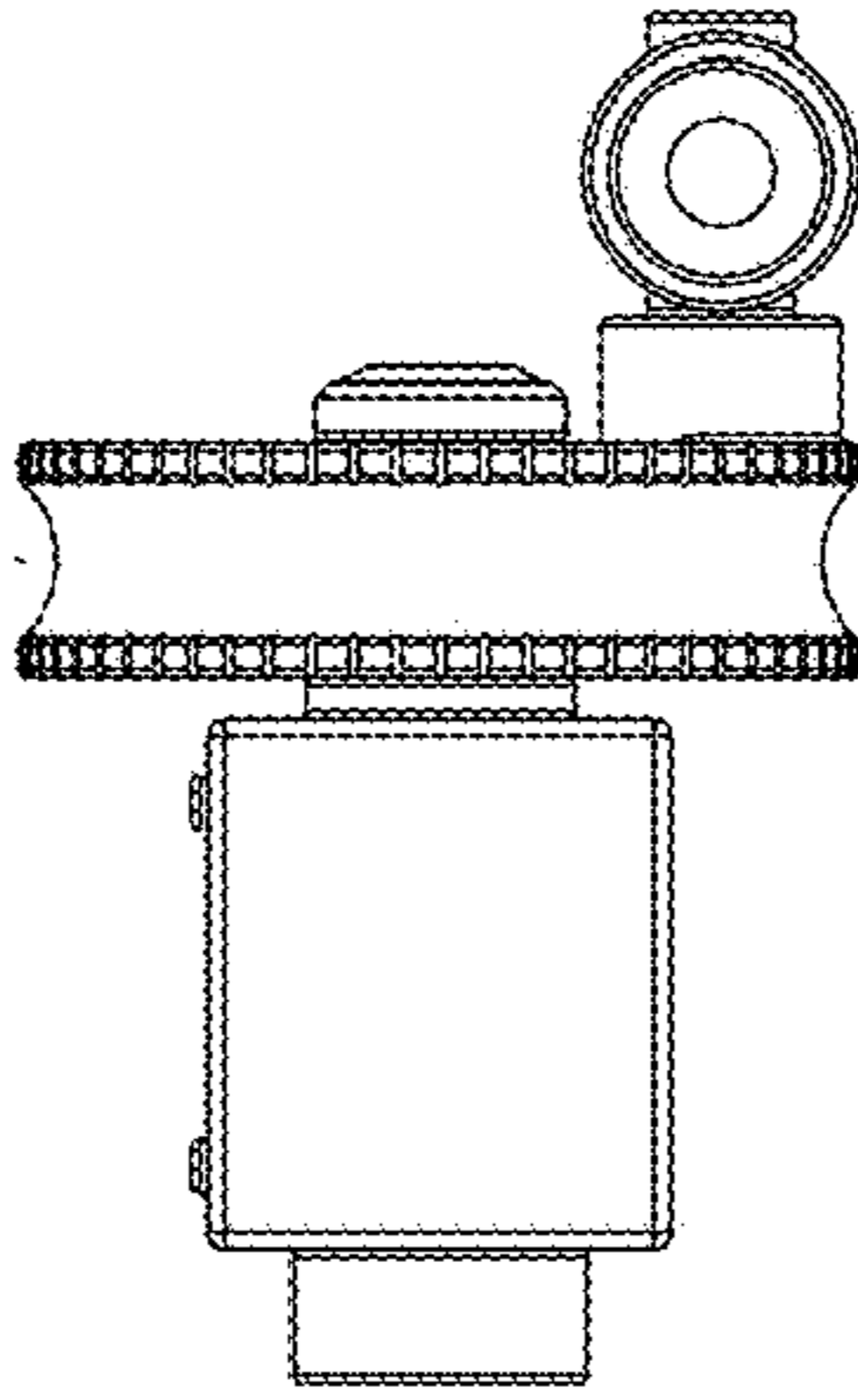


FIG - 6

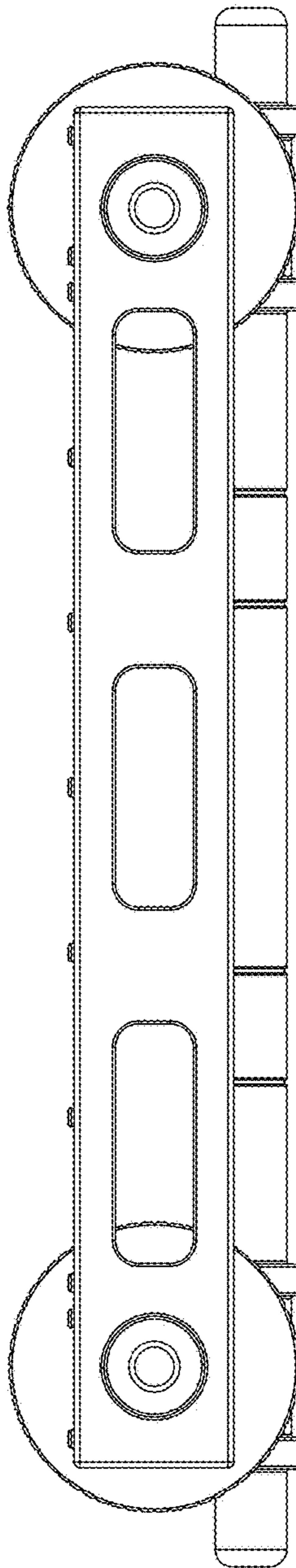


FIG - 5

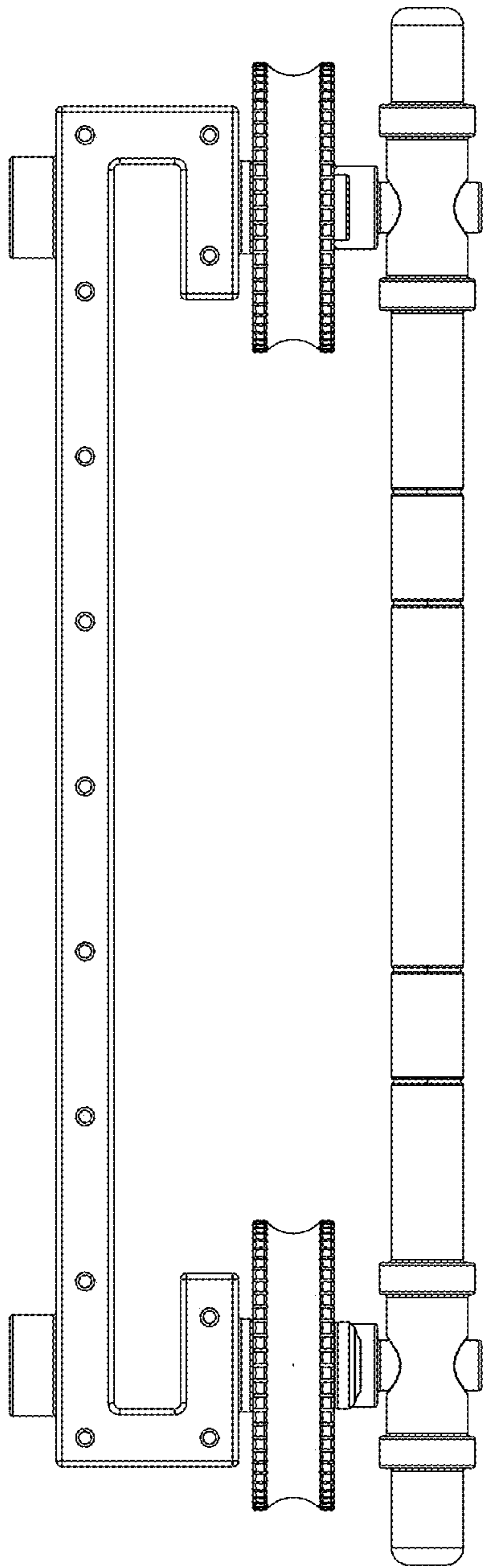


FIG - 7

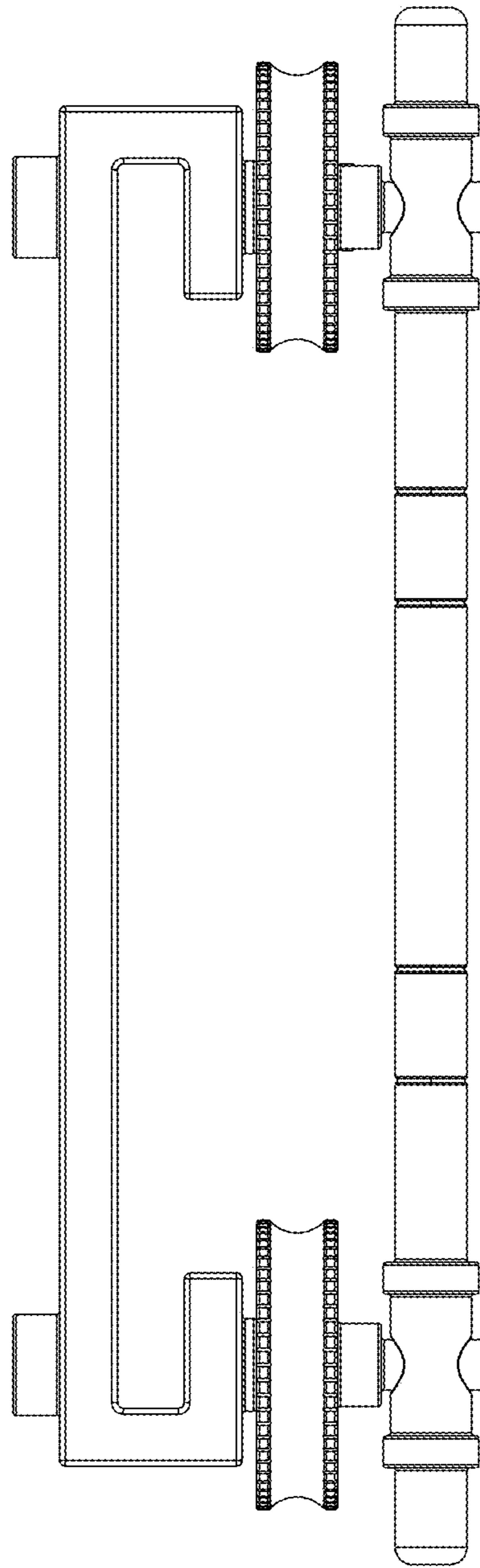


FIG - 8