



US00D955848S

(12) **United States Design Patent** (10) **Patent No.:** **US D955,848 S**
Chen (45) **Date of Patent:** **** Jun. 28, 2022**

(54) **DOORKNOB**

(71) Applicant: **Pro Decor LLC**, Eugene, OR (US)

(72) Inventor: **Jian Chen**, Suzhou (CN)

(73) Assignee: **Pro Decor LLC**, Eugene, OR (US)

(**) Term: **15 Years**

(21) Appl. No.: **29/734,584**

(22) Filed: **May 13, 2020**

(51) **LOC (13) Cl.** **08-06**

(52) **U.S. Cl.**
USPC **D8/301**

(58) **Field of Classification Search**
USPC D8/300-302, 307-309, 310, 311, 330,
D8/331

CPC Y10T 16/44; Y10T 74/20612; Y10T
74/20732; Y10T 16/458; Y10T 16/498;
Y10T 16/469; Y10T 16/476; Y10T
74/20744; Y10T 74/20864; Y10T
16/4628; Y10T 74/20642; Y10T 16/473;
Y10T 74/20762; Y10T 74/2042; Y10T
74/20828; Y10T 16/459; Y10T 16/4713;
Y10T 74/2014; Y10T 16/50; Y10T
74/20438; Y10T 74/20582; Y10T
74/20738; Y10T 16/48; Y10T 74/20618;
Y10T 74/20684; Y10T 74/20624; Y10T
74/20468; Y10T 16/61; Y10T 16/4719;
Y10T 16/86; Y10S 16/30; Y10S 292/31;
Y10S 292/53; Y10S 16/12; Y10S 292/23;
Y10S 292/27; Y10S 292/30; Y10S
292/63; E05B 85/16; E05B 1/0015; E05B
77/06; E05B 79/06; E05B 85/18; E05B
85/12; E05B 85/10; E05B 7/00; E05B
1/0053; E05B 77/265

See application file for complete search history.

(56) **References Cited**

U.S. PATENT DOCUMENTS

2,094,982	A *	10/1937	Gerard	E05B 1/0007 292/347
2,721,597	A *	10/1955	Pitrella	E05B 1/0061 16/DIG. 30
2,797,950	A *	7/1957	Michael	E05B 1/0007 292/347
2,812,967	A *	11/1957	Falk	E05B 3/003 292/347
3,017,213	A *	1/1962	Kendrick	E05B 15/02 292/357
D381,251	S *	7/1997	Pooley	D8/302
D453,897	S *	2/2002	LaPlume	D8/352
D499,631	S *	12/2004	Sale, Jr.	D8/301
D502,082	S *	2/2005	Denoual	D8/301
D503,082	S *	3/2005	Denoual	D8/352
D506,916	S *	7/2005	Sale, Jr.	D8/301
D510,695	S *	10/2005	Roberts, III	D8/301
D510,696	S *	10/2005	Sale, Jr.	D8/301
D691,450	S *	10/2013	Weathersby	D8/301
D691,452	S *	10/2013	Weathersby	D8/302
10,342,090	B2 *	7/2019	Noeldner	G08B 5/36

(Continued)

Primary Examiner — Lauren R Calve
(74) *Attorney, Agent, or Firm* — Vista IP Law Group LLP

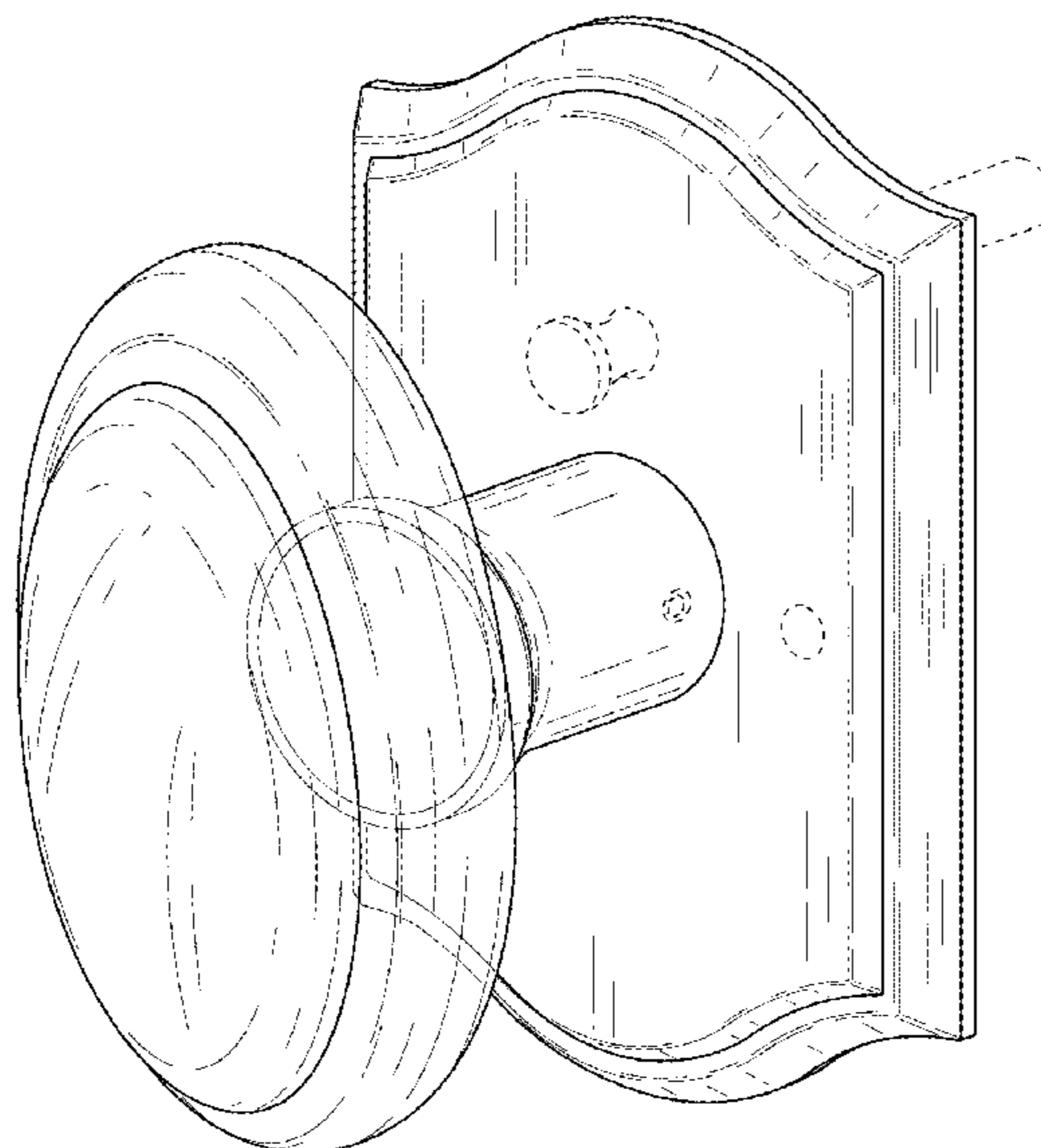
(57) **CLAIM**

The ornamental design for a doorknob, as shown and described.

DESCRIPTION

FIG. 1 is a perspective view of a doorknob showing the new design;
FIG. 2 is a front view thereof;
FIG. 3 is a back view thereof;
FIG. 4 is a right view thereof;
FIG. 5 is a left view thereof;
FIG. 6 is a top view thereof; and,
FIG. 7 is a bottom view thereof.
The broken lines represent portions of the doorknob that form no part of the claimed design.

1 Claim, 4 Drawing Sheets



(56)

References Cited

U.S. PATENT DOCUMENTS

D922,850 S * 6/2021 Chen D8/302
D935,300 S * 11/2021 Chen D8/302

* cited by examiner

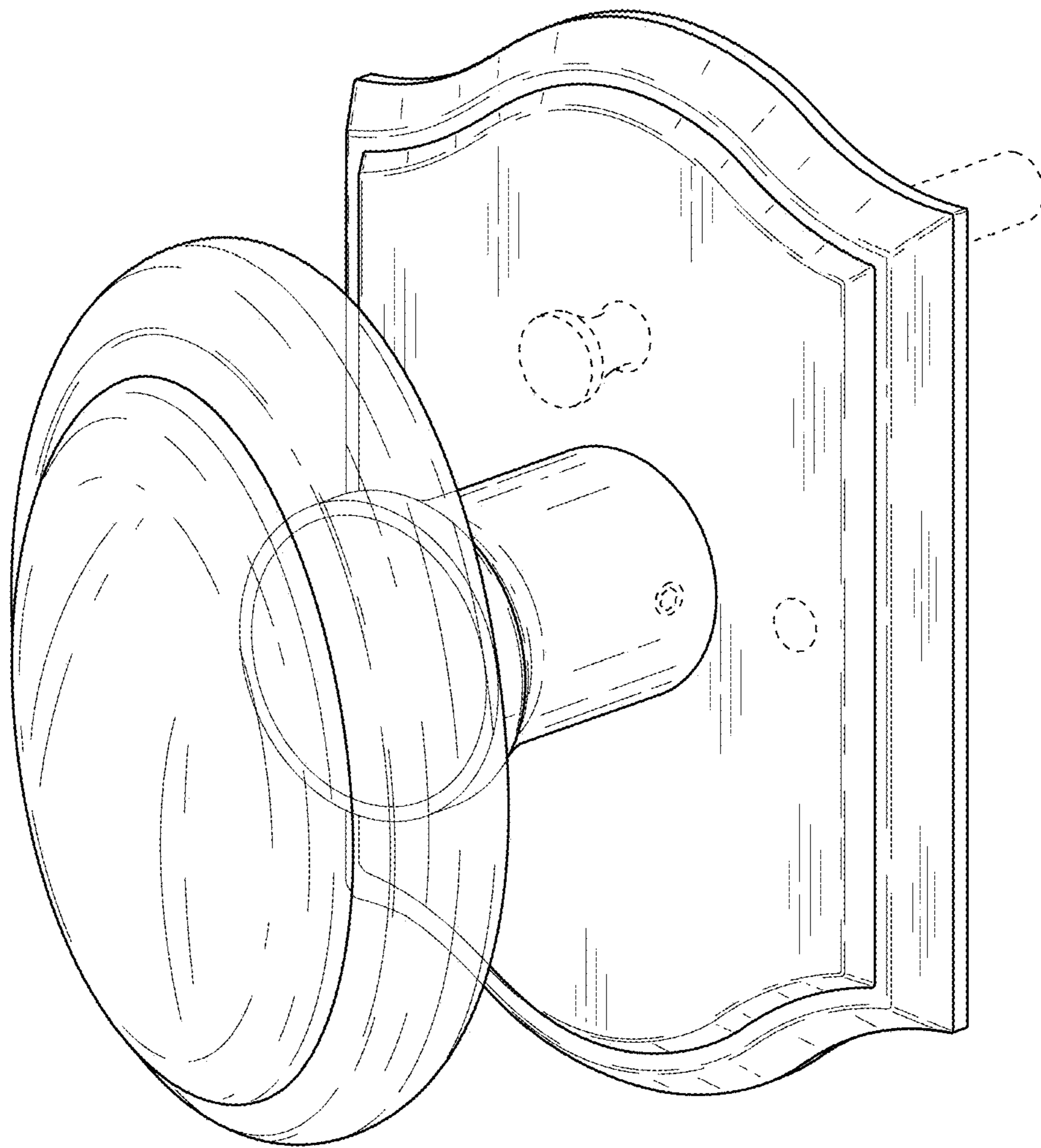


Fig. 1

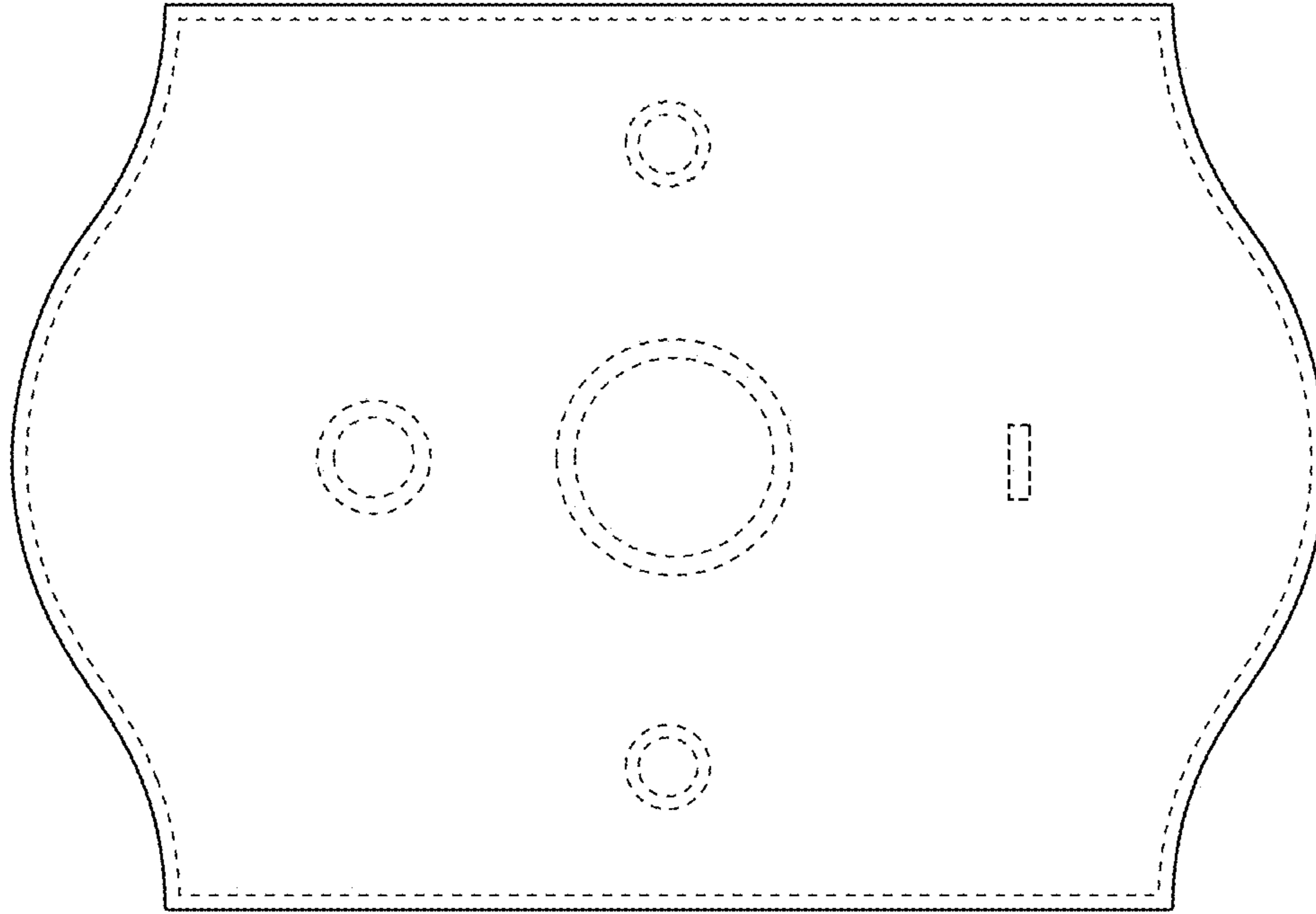


Fig. 3

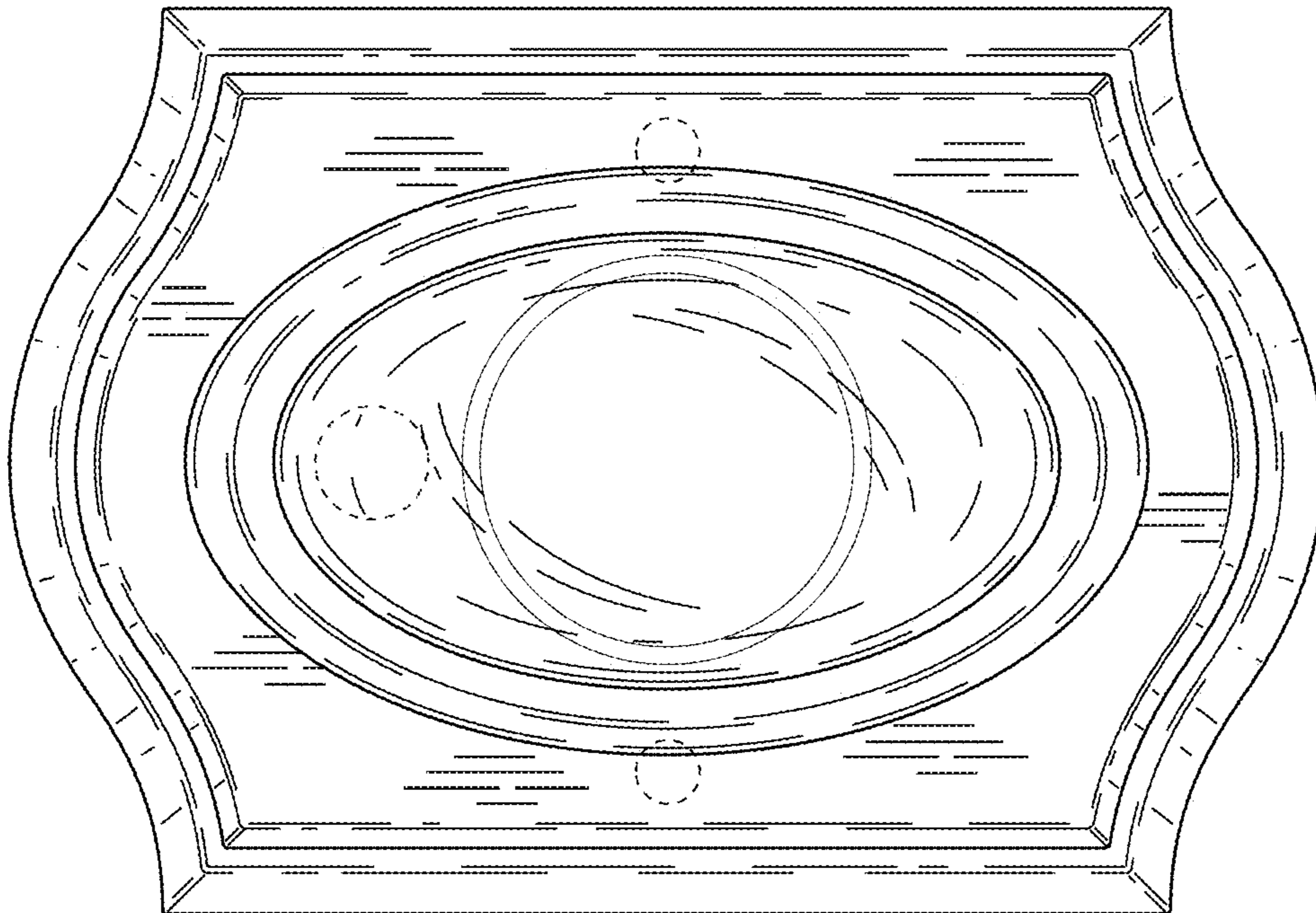


Fig. 2

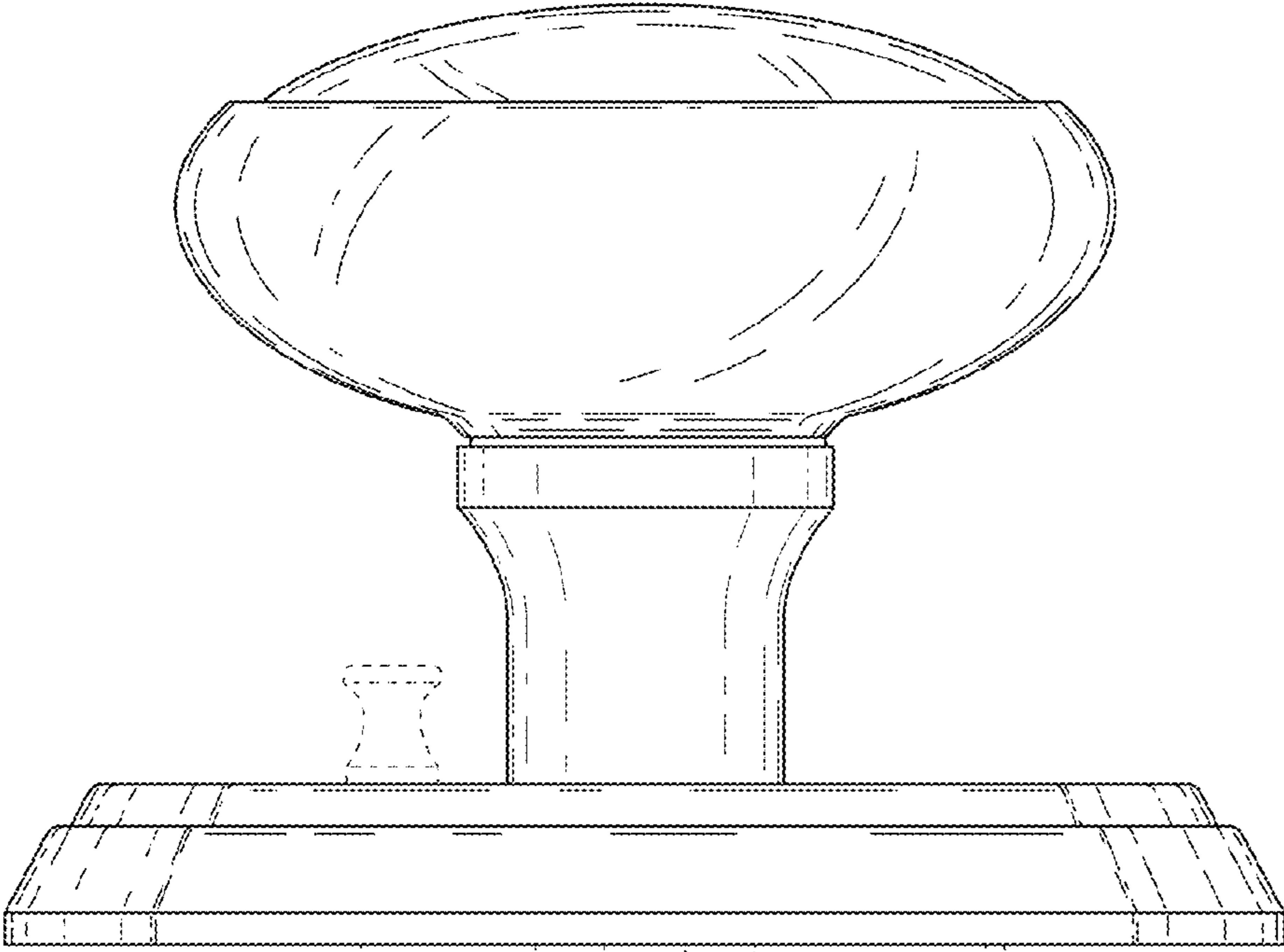


Fig. 5

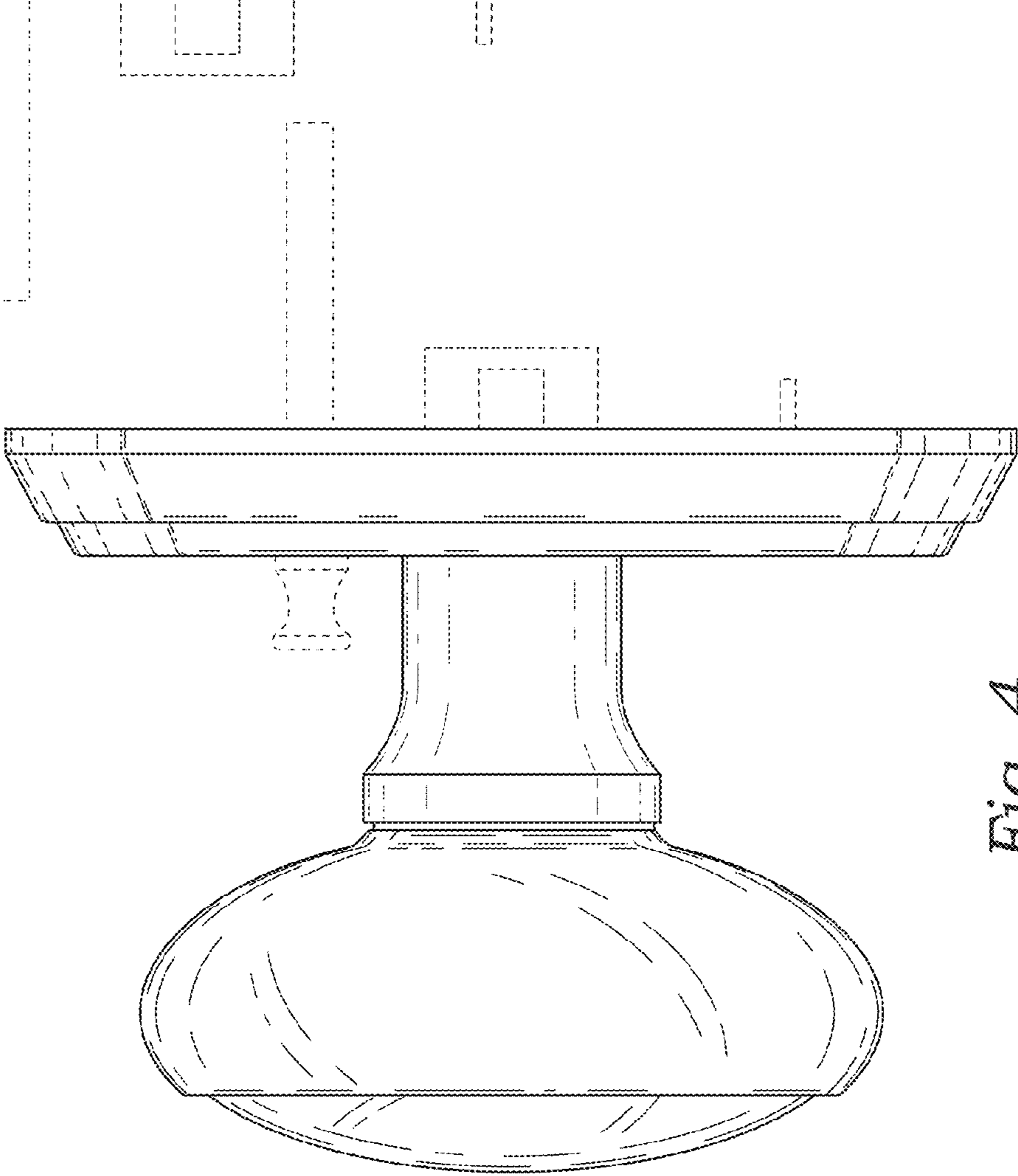


Fig. 4

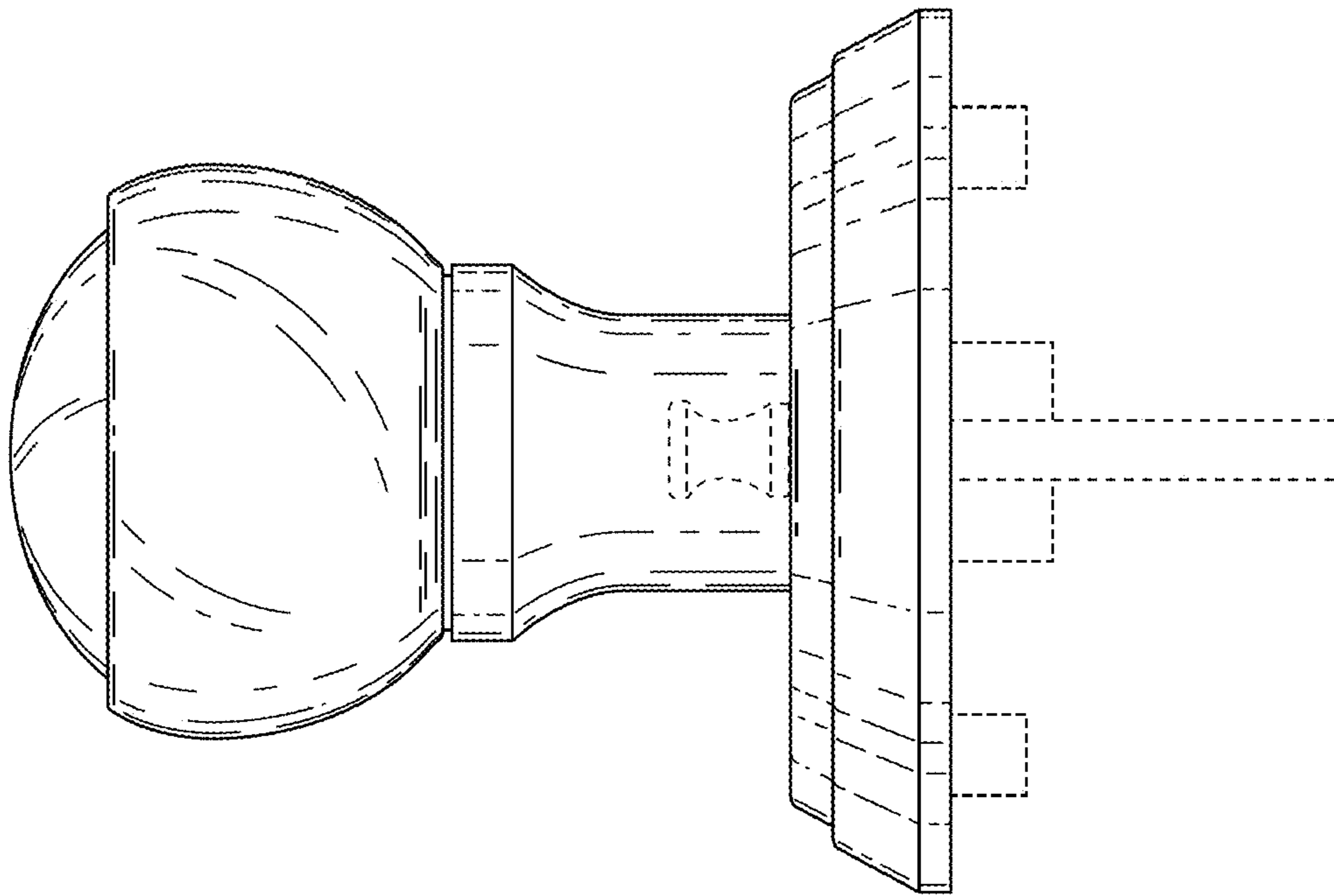


Fig. 6

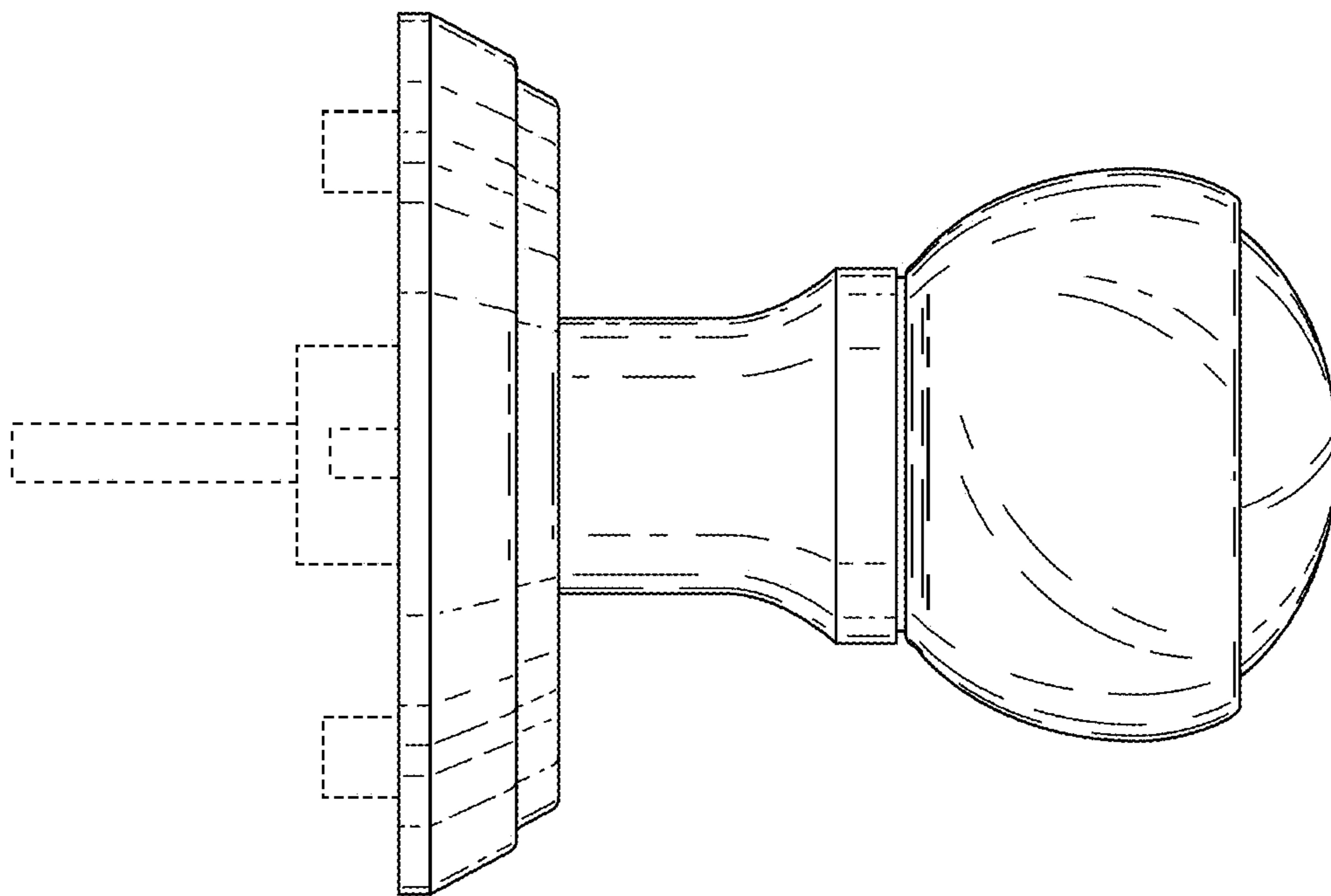


Fig. 7