



US00D955847S

(12) **United States Design Patent** (10) **Patent No.:** **US D955,847 S**
Chen (45) **Date of Patent:** **** Jun. 28, 2022**

(54) **DOORKNOB**

(71) Applicant: **Pro Decor LLC**, Eugene, OR (US)

(72) Inventor: **Jian Chen**, Suzhou (CN)

(73) Assignee: **Pro Decor LLC**, Eugene, OR (US)

(**) Term: **15 Years**

(21) Appl. No.: **29/734,580**

(22) Filed: **May 13, 2020**

(51) **LOC (13) Cl.** **08-06**

(52) **U.S. Cl.**
USPC **D8/301**

(58) **Field of Classification Search**
USPC D8/300-302, 307-309, 310, 311, 330, D8/331

CPC Y10T 16/44; Y10T 74/20612; Y10T 74/20732; Y10T 16/458; Y10T 16/498; Y10T 16/469; Y10T 16/476; Y10T 74/20744; Y10T 74/20864; Y10T 16/4628; Y10T 74/20642; Y10T 16/473; Y10T 74/20762; Y10T 74/2042; Y10T 74/20828; Y10T 16/459; Y10T 16/4713; Y10T 74/2014; Y10T 16/50; Y10T 74/20438; Y10T 74/20582; Y10T 74/20738; Y10T 16/48; Y10T 74/20618; Y10T 74/20684; Y10T 74/20624; Y10T 74/20468; Y10T 16/61; Y10T 16/4719; Y10T 16/86; Y10S 16/30; Y10S 292/31; Y10S 292/53; Y10S 16/12; Y10S 292/23; Y10S 292/27; Y10S 292/30; Y10S 292/63; E05B 85/16; E05B 1/0015; E05B 77/06; E05B 79/06; E05B 85/18; E05B 85/12; E05B 85/10; E05B 7/00; E05B 1/0053; E05B 77/265

See application file for complete search history.

(56) **References Cited**

U.S. PATENT DOCUMENTS

2,094,982	A *	10/1937	Gerard	E05B 1/0007 292/347
2,721,597	A *	10/1955	Pitrella	E05B 1/0061 16/DIG. 30
2,812,967	A *	11/1957	Falk	E05B 3/003 292/347
5,005,886	A *	4/1991	Carroll	E05C 1/163 292/336.3
D381,251	S *	7/1997	Pooley	D8/302
D502,082	S *	2/2005	Denoual	D8/301
D510,695	S *	10/2005	Roberts, III	D8/301
D691,450	S *	10/2013	Weathersby	D8/301
D691,452	S *	10/2013	Weathersby	D8/302
10,342,090	B2 *	7/2019	Noeldner	G08B 5/36
D922,850	S *	6/2021	Chen	D8/302
D935,300	S *	11/2021	Chen	D8/302

* cited by examiner

Primary Examiner — Lauren R Calve

(74) *Attorney, Agent, or Firm* — Vista IP Law Group LLP

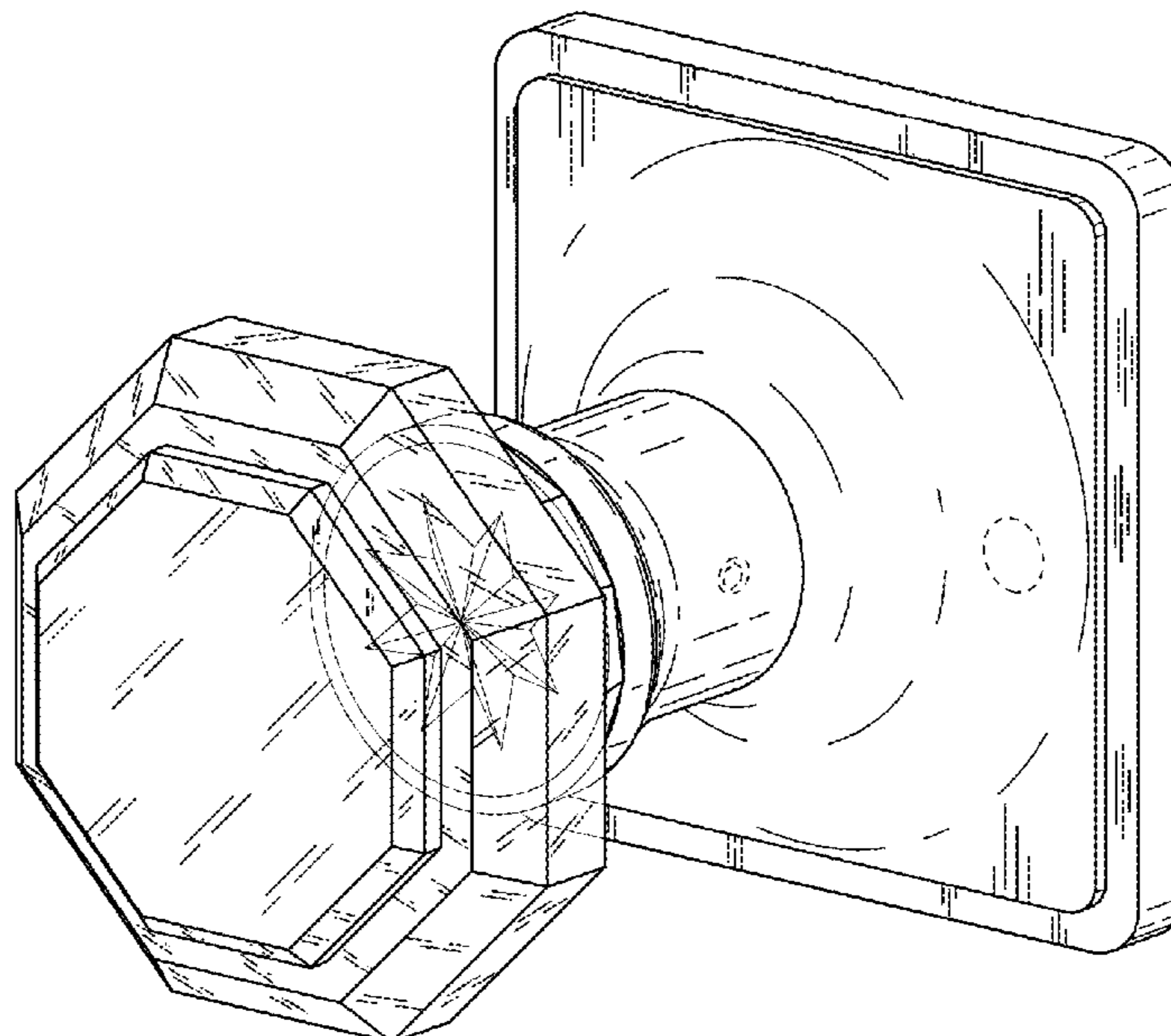
(57) **CLAIM**

The ornamental design for a doorknob, as shown and described.

DESCRIPTION

FIG. 1 is a perspective view of a doorknob showing the new design;
 FIG. 2 is a front view thereof;
 FIG. 3 is a back view thereof;
 FIG. 4 is a right view thereof;
 FIG. 5 is a left view thereof;
 FIG. 6 is a top view thereof; and,
 FIG. 7 is a bottom view thereof.
 The broken lines represent portions of the doorknob that form no part of the claimed design.

1 Claim, 4 Drawing Sheets



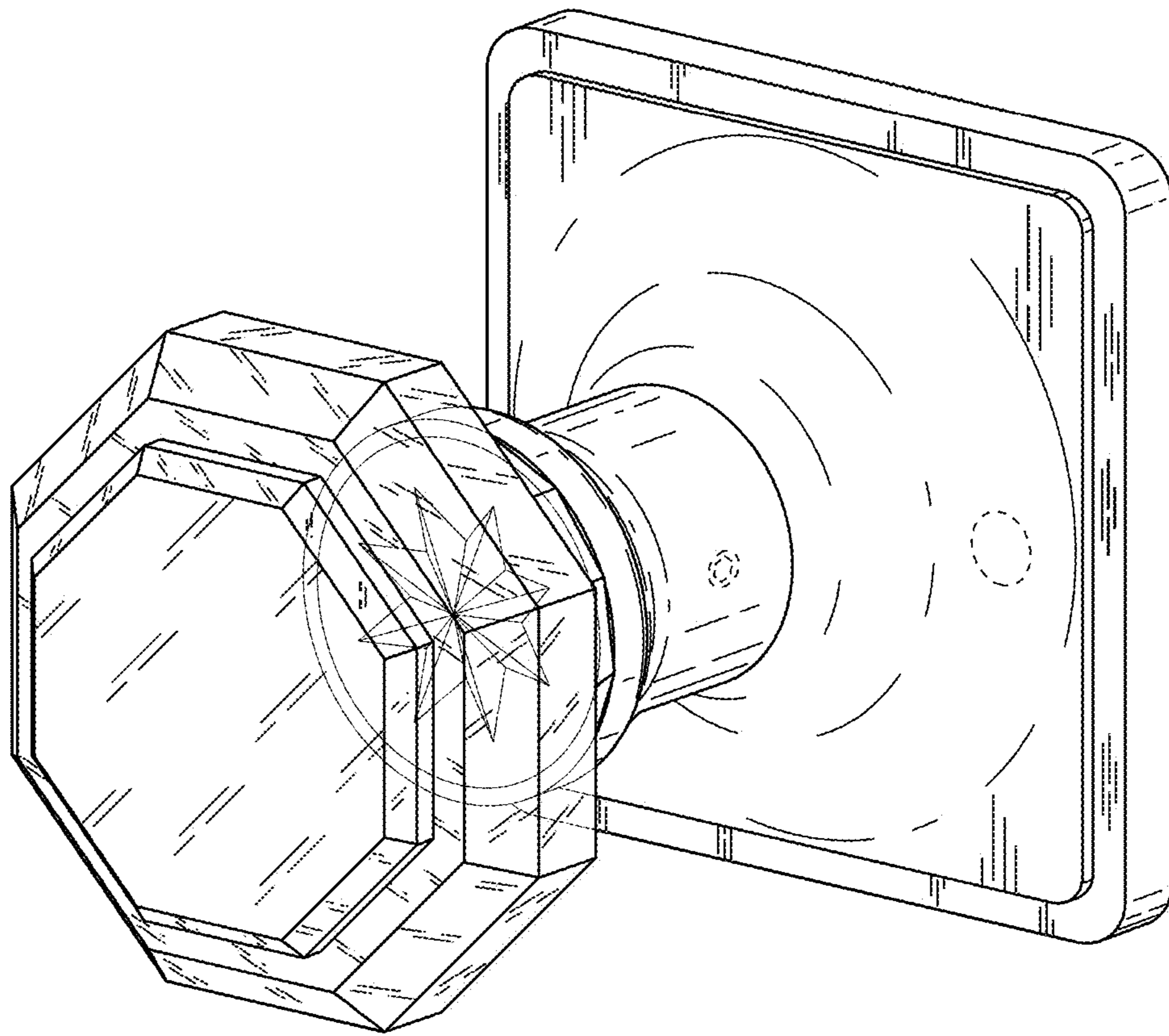


Fig. 1

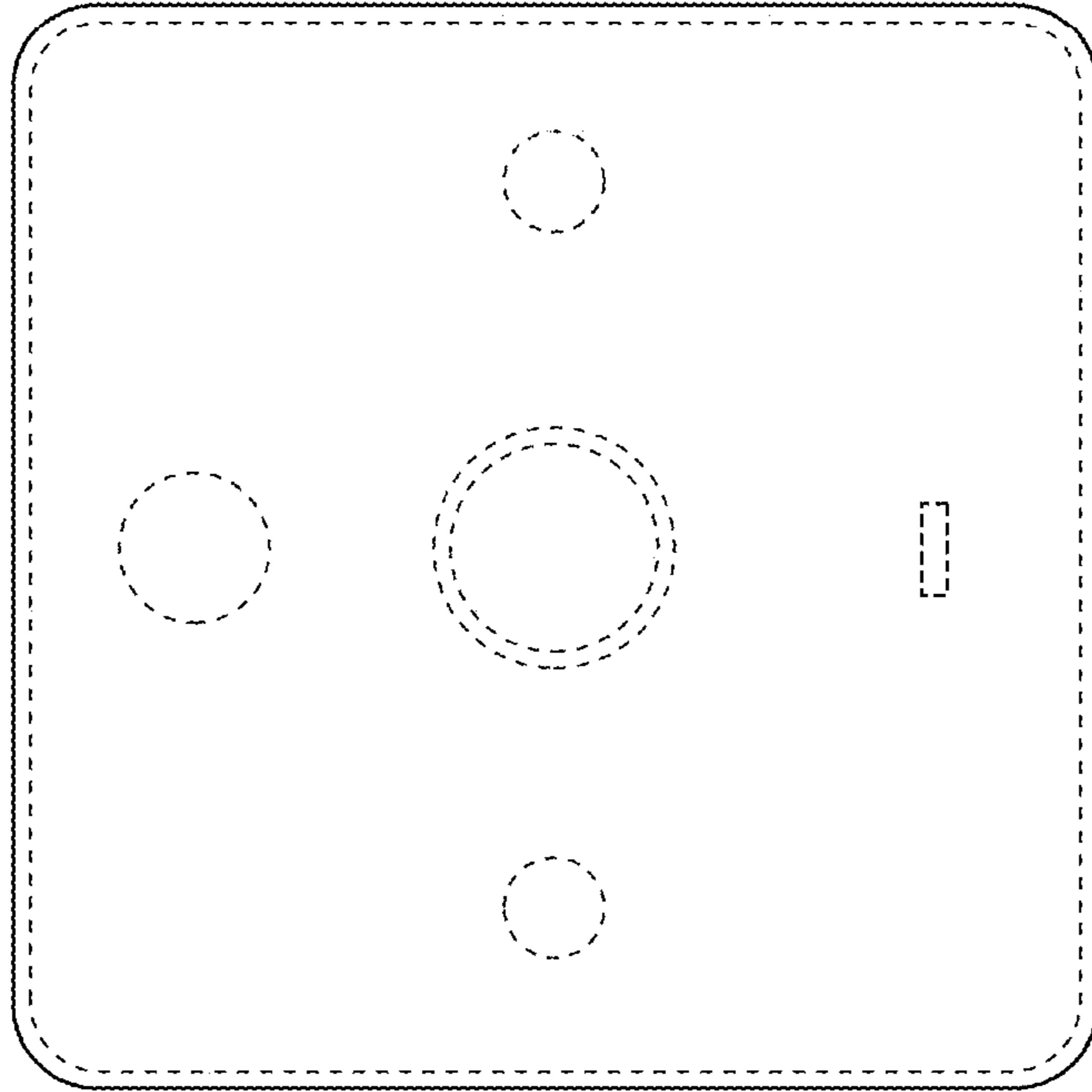


Fig. 3

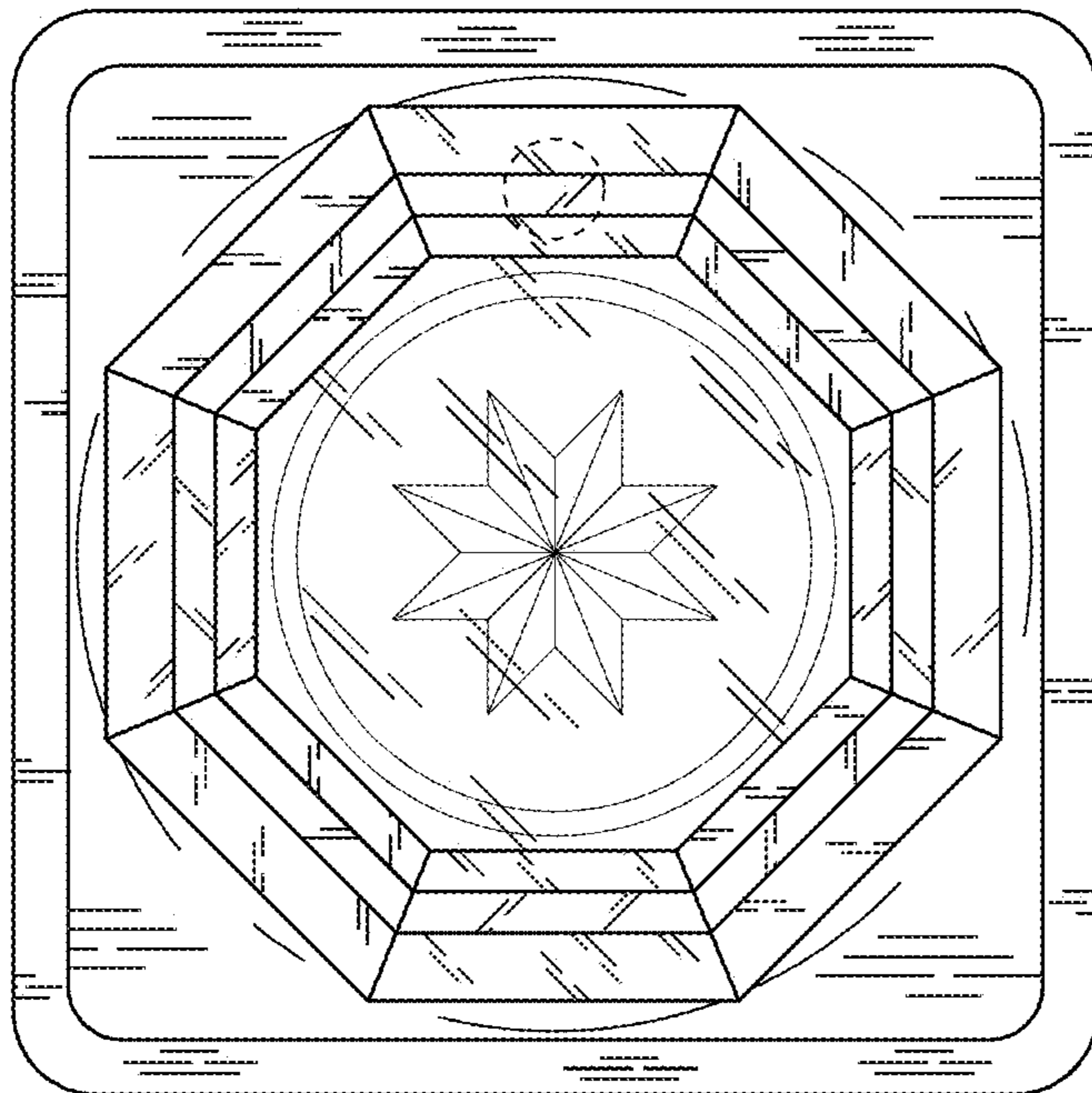


Fig. 2

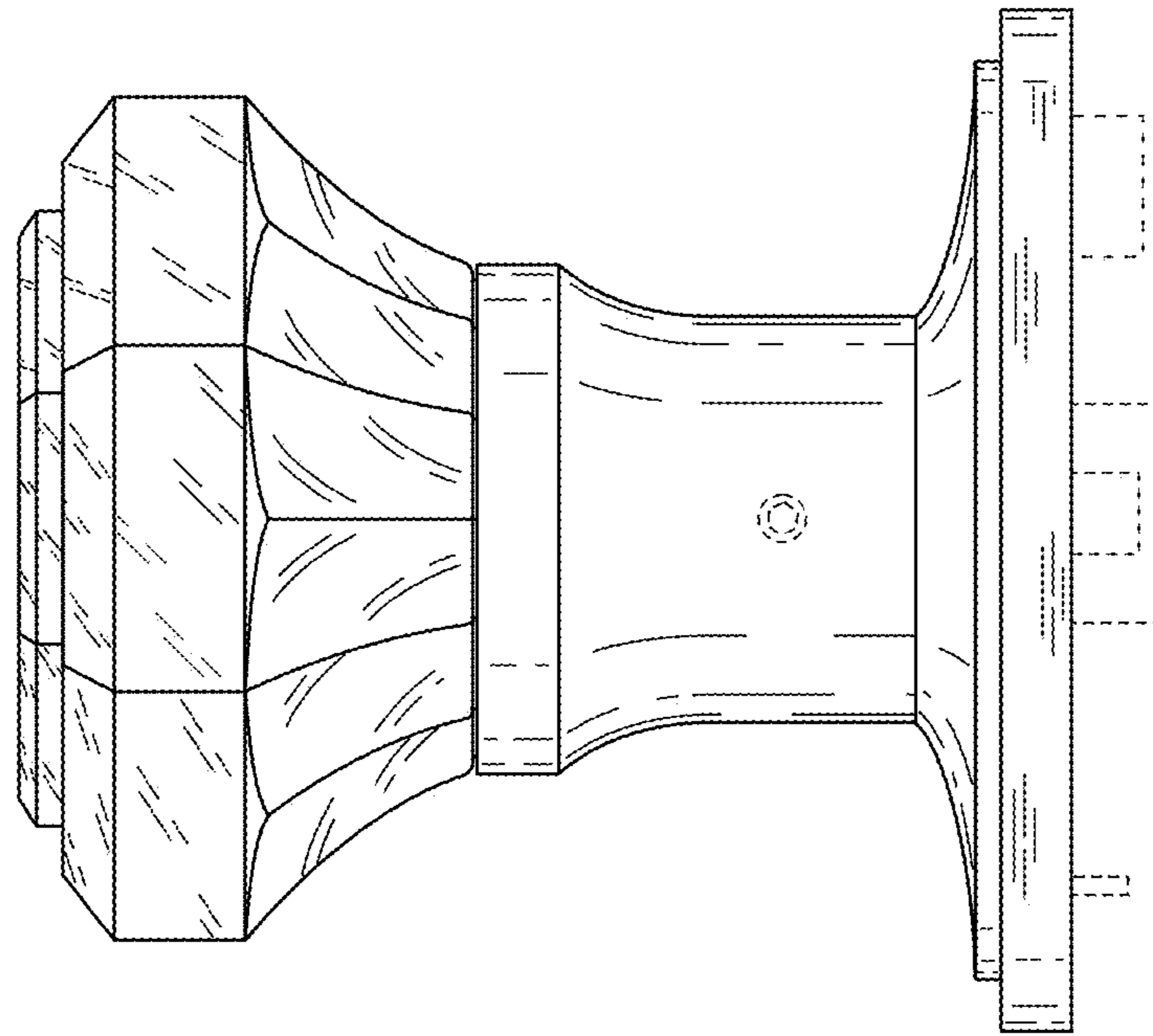


Fig. 4

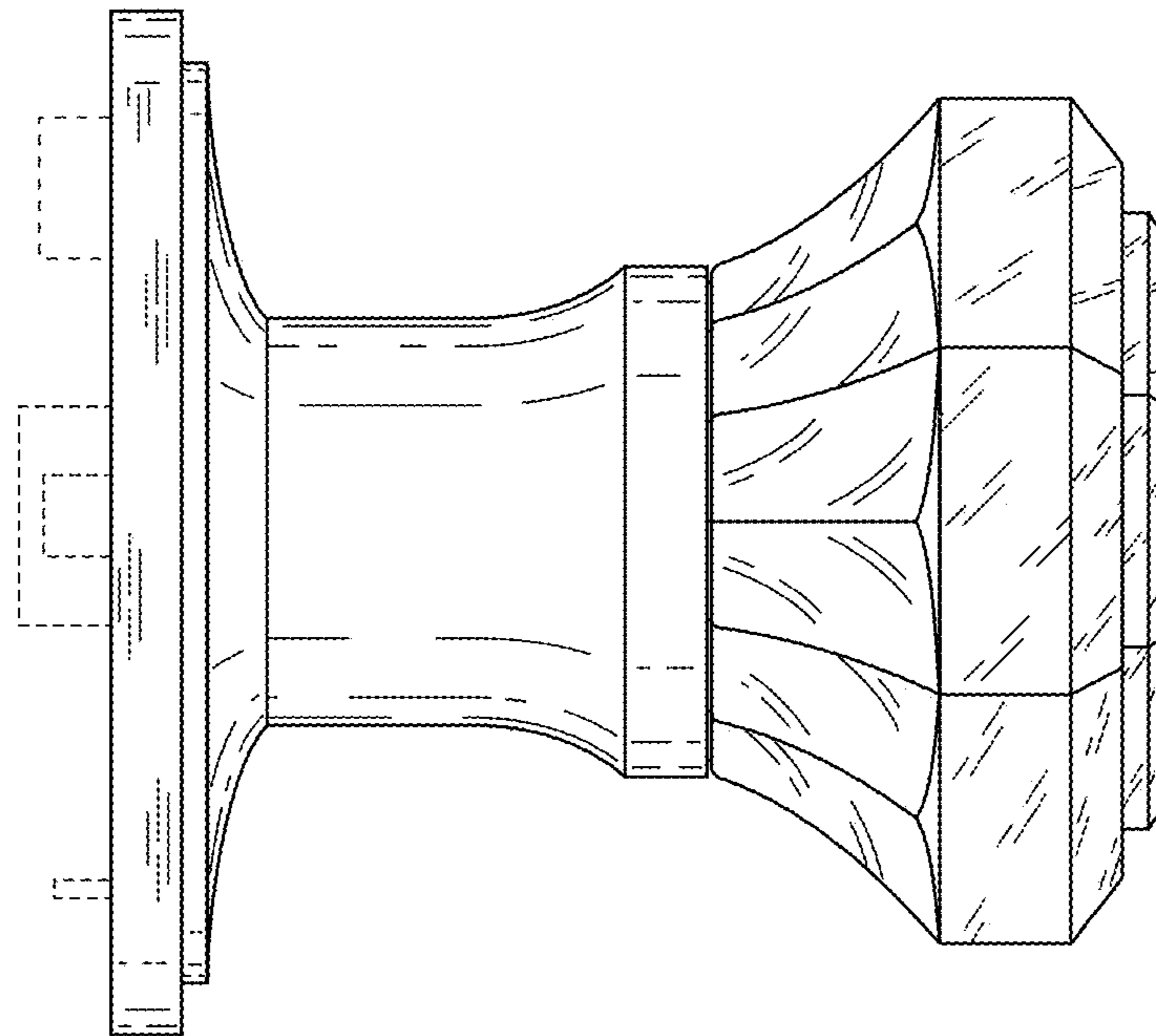


Fig. 5

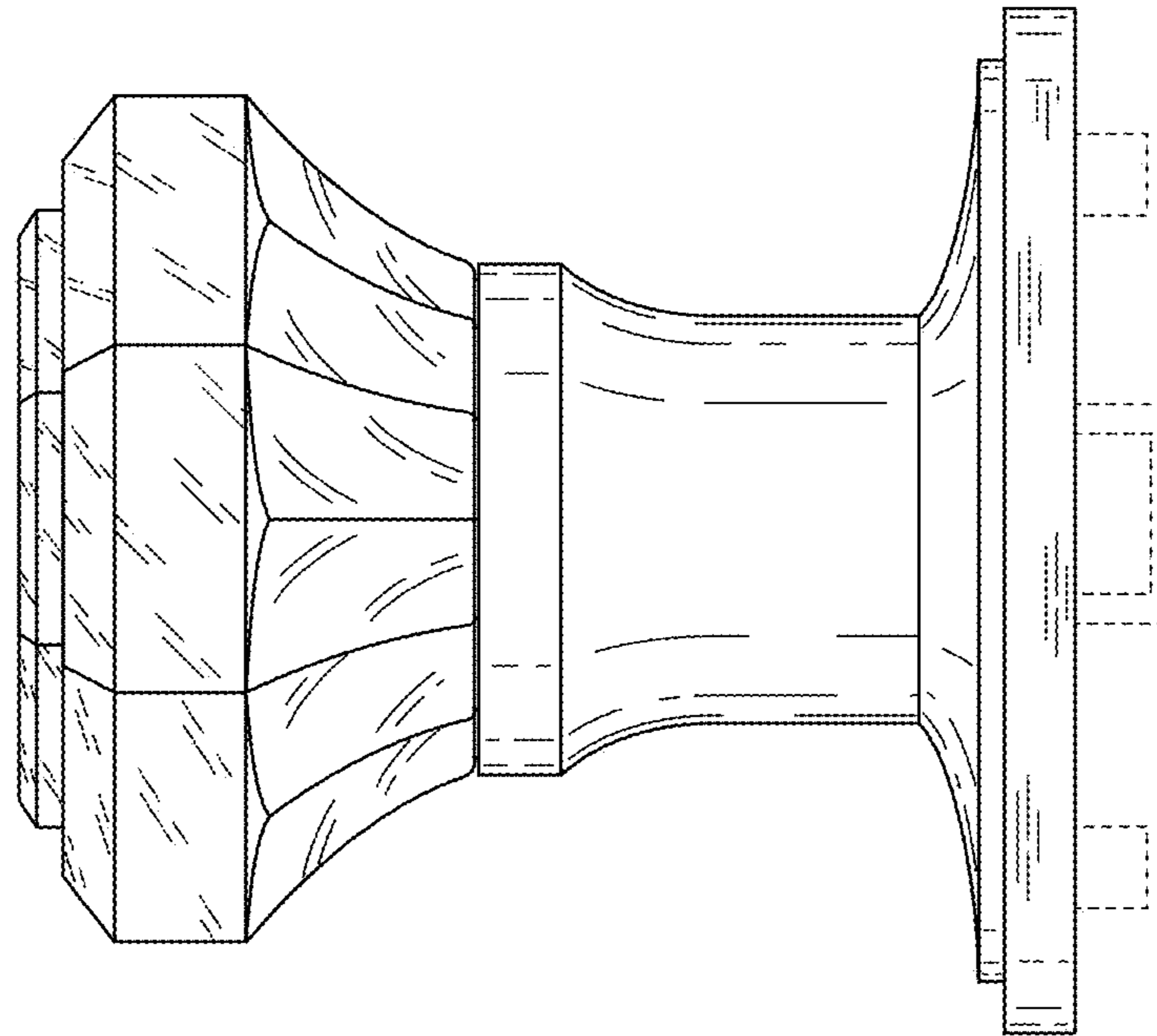


Fig. 6

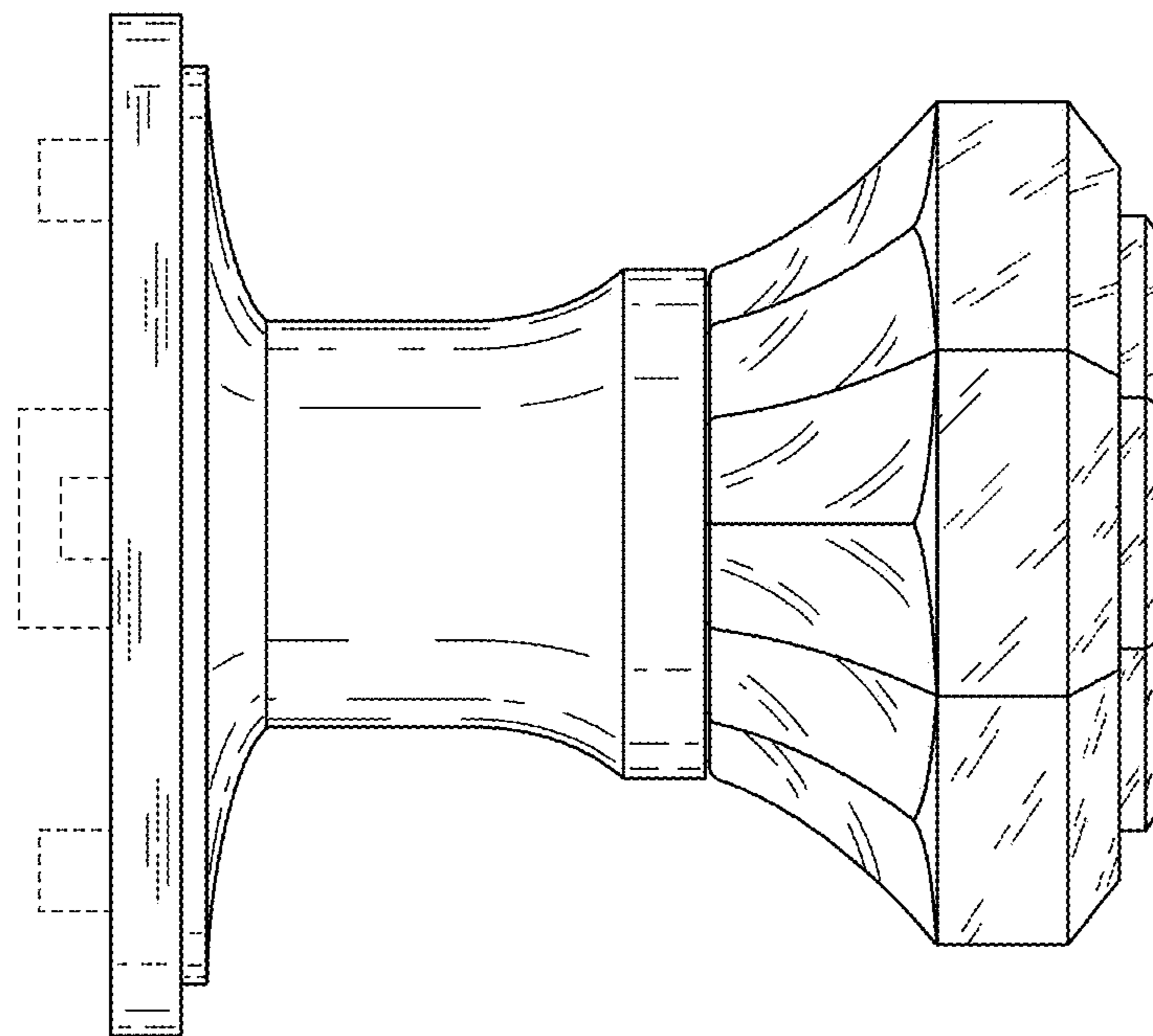


Fig. 7