



US00D955845S

(12) **United States Design Patent**
Weber et al.

(10) **Patent No.:** **US D955,845 S**
(45) **Date of Patent:** **** Jun. 28, 2022**

- (54) **SAW**
- (71) Applicant: **Fiskars Finland Oy Ab**, Helsinki (FI)
- (72) Inventors: **Emery Weber**, Helsinki (FI); **Colin Roberts**, Helsinki (FI); **Sara Kasbekar**, Helsinki (FI); **Stephen Dechant**, Helsinki (FI)
- (73) Assignee: **FISKARS FINLAND OY AB**, Helsinki (FI)
- (**) Term: **15 Years**
- (21) Appl. No.: **29/754,881**
- (22) Filed: **Oct. 15, 2020**
- (51) **LOC (13) Cl.** **08-03**
- (52) **U.S. Cl.**
USPC **D8/97**
- (58) **Field of Classification Search**
USPC D8/95, 96, 97, 98, 99, 100, 105, 107;
D22/118
CPC .. B26B 1/08; B26B 5/00; B26B 5/001; B26B 5/002; B26B 5/003; B26B 5/006; B26B 1/00; B23D 51/01; B23D 51/10; B23D 49/14; B23D 49/10
See application file for complete search history.

- 6,463,663 B1 * 10/2002 Kanzawa B23D 51/03
30/160
 - D466,784 S * 12/2002 Chen D8/107
 - D468,614 S * 1/2003 Kanzawa D8/107
 - D500,240 S * 12/2004 Fancelli D8/97
 - D513,956 S * 1/2006 Tran D8/95
 - 7,065,885 B1 * 6/2006 Chen B23D 51/10
30/331
 - 7,093,367 B1 * 8/2006 Huang B23D 51/01
30/161
 - D528,892 S * 9/2006 Okada D8/97
 - D664,823 S * 8/2012 Pringnitz D8/95
- (Continued)

Primary Examiner — Philip S Hyder
(74) *Attorney, Agent, or Firm* — Leason Ellis LLP

(57) **CLAIM**

The ornamental design for a saw, as shown and described.

DESCRIPTION

The patent or application file contains at least one drawing executed in color. Copies of this patent or patent application publication with color drawing(s) will be provided by the Office upon request and payment of the necessary fee.

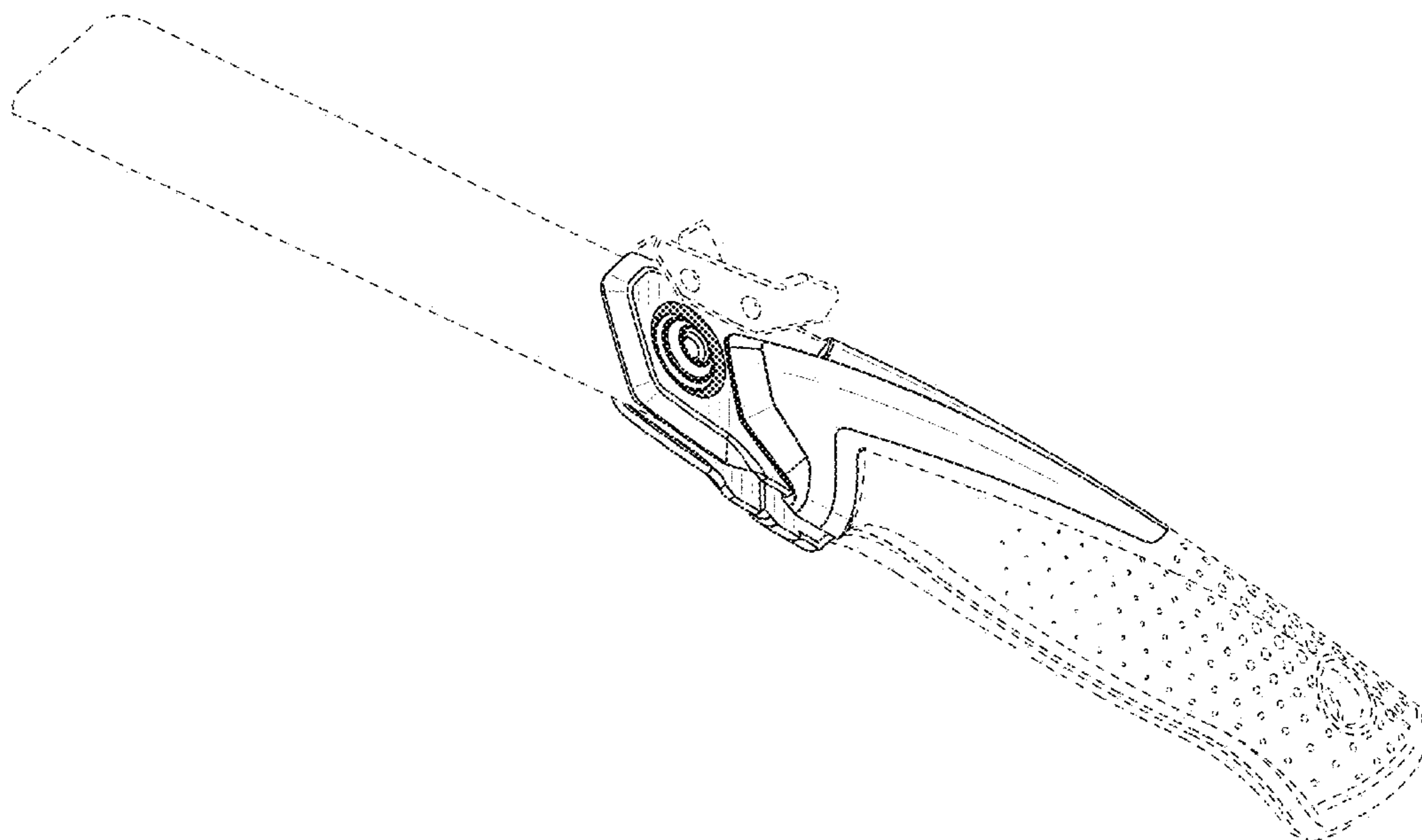
FIG. 1 is a perspective view of our saw according to our new design;
FIG. 2 is a left-side view thereof;
FIG. 3 is a right-side view thereof;
FIG. 4 is a front view thereof;
FIG. 5 is a rear view thereof;
FIG. 6 is a top plan view thereof; and,
FIG. 7 is bottom plan view thereof.

The broken lines depict portions of the saw in which the design is embodied, that form no part of the claimed design. Conventional shading is illustrated for purposes of highlighting the line drawings, but forms no part of the claimed design.

1 Claim, 7 Drawing Sheets
(3 of 7 Drawing Sheet(s) Filed in Color)

(56) **References Cited**
U.S. PATENT DOCUMENTS

- D257,943 S * 1/1981 Finlay D8/95
- D299,413 S * 1/1989 DeCarolis D8/107
- D307,383 S * 4/1990 Huang D8/107
- D346,937 S * 5/1994 Backman D8/7
- D357,166 S * 4/1995 Concari D8/107
- 5,661,908 A * 9/1997 Chen B23D 51/01
30/125
- D397,281 S * 8/1998 Hsu D8/95



(56)

References Cited

U.S. PATENT DOCUMENTS

8,707,564 B2 * 4/2014 Burch B23D 61/123
30/155
D706,593 S * 6/2014 Meiller D8/9
D847,601 S * 5/2019 Dechant D8/95
D878,880 S * 3/2020 Roberts D8/5
10,661,365 B2 * 5/2020 Rowlay B26B 1/046
2009/0217536 A1 * 9/2009 Medhurst B26B 11/00
30/337
2016/0067803 A1 * 3/2016 Kohl B27B 21/00
30/161
2018/0099339 A1 * 4/2018 Rowlay B26B 1/042
2020/0130167 A1 * 4/2020 Miyawaki B25G 3/38

* cited by examiner

FIG. 1

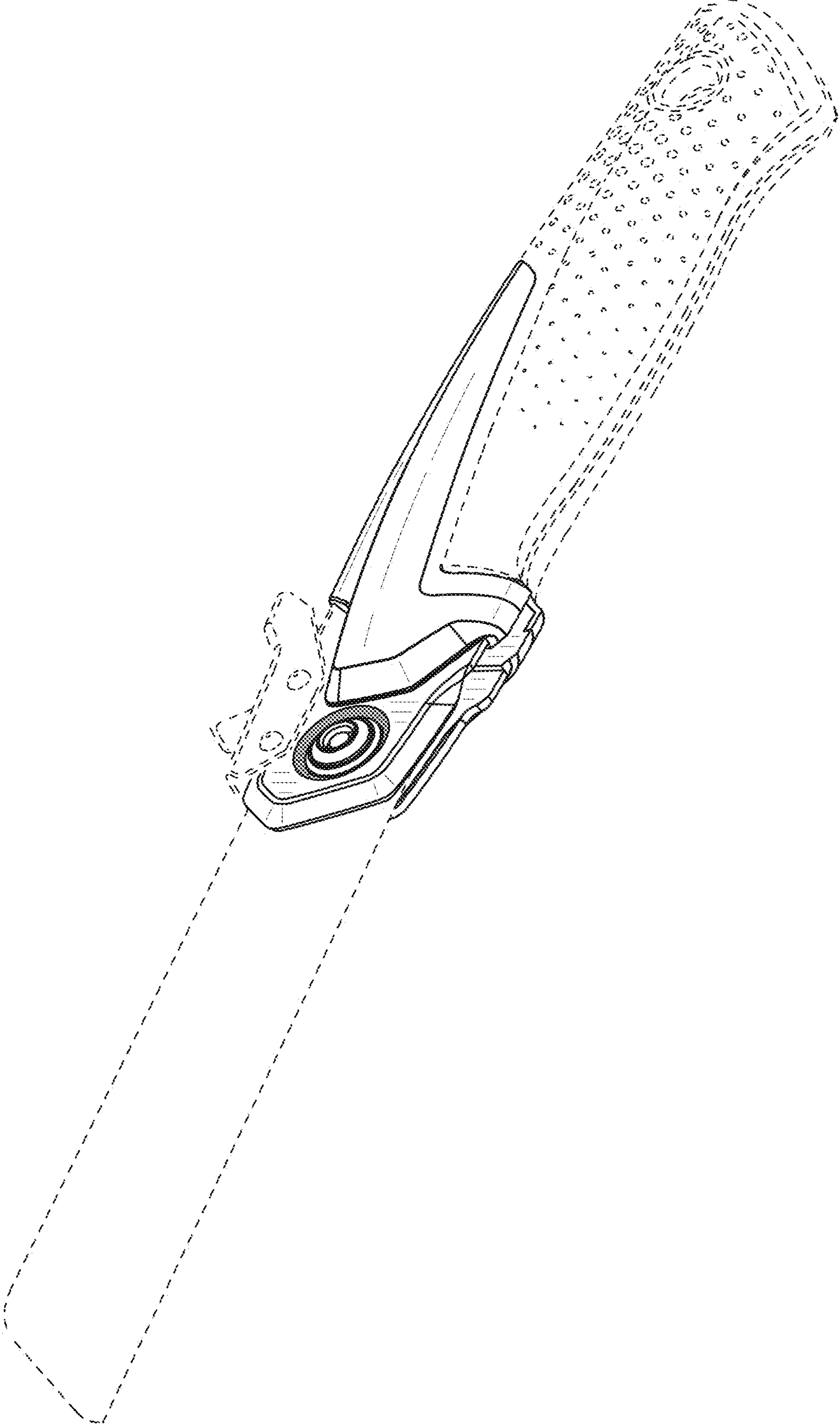


FIG. 2

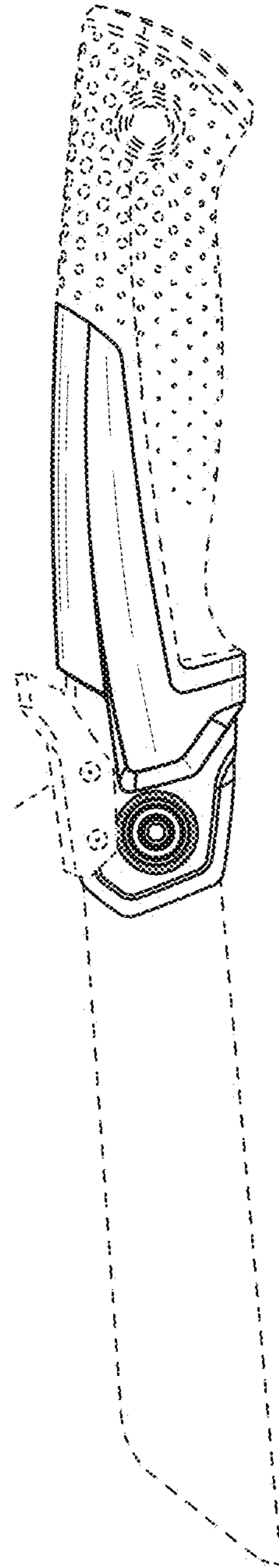


FIG. 3

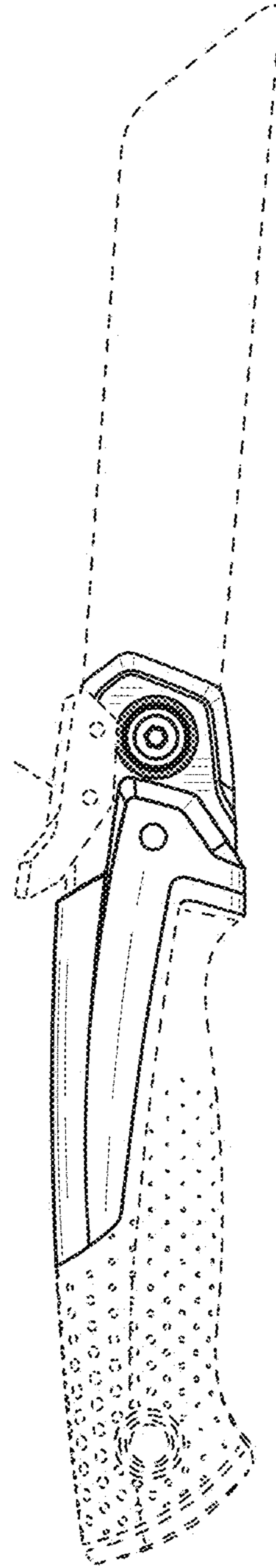


FIG. 4

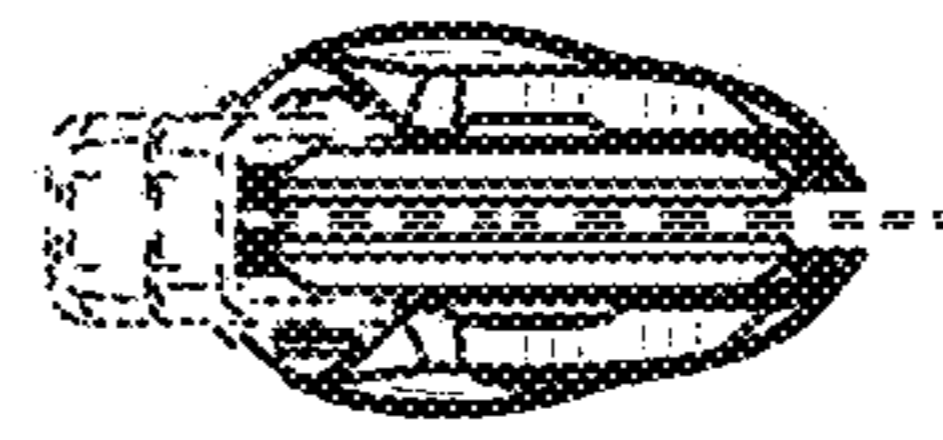


FIG. 5

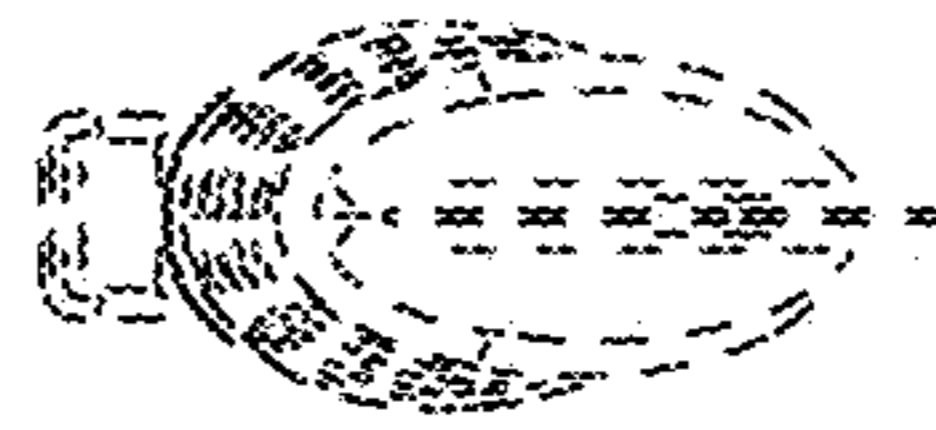


FIG. 6

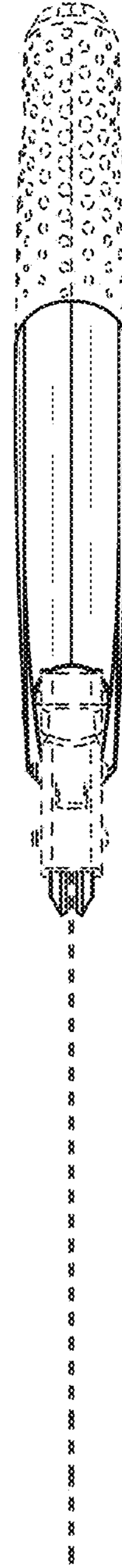


FIG. 7

