



US00D955844S

(12) **United States Design Patent**  
**VonQualen et al.**

(10) **Patent No.:** **US D955,844 S**  
(45) **Date of Patent:** **\*\* Jun. 28, 2022**

(54) **DEMOLITION DEVICE**  
(71) Applicants: **Gerald VonQualen**, Gardner, IL (US);  
**Gary Cox**, Gardner, IL (US)  
(72) Inventors: **Gerald VonQualen**, Gardner, IL (US);  
**Gary Cox**, Gardner, IL (US)

(\*\*) Term: **15 Years**

(21) Appl. No.: **29/758,994**

(22) Filed: **Nov. 19, 2020**

(51) **LOC (13) Cl.** ..... **08-05**

(52) **U.S. Cl.**  
USPC ..... **D8/89**

(58) **Field of Classification Search**  
USPC ..... D8/14, 88, 89, 105  
CPC ..... E04G 23/08; B66F 15/00; B25C 11/00  
See application file for complete search history.

(56) **References Cited**

**U.S. PATENT DOCUMENTS**

2,680,003 A \* 6/1954 Feinstein ..... E04G 23/08  
7/166  
D236,872 S \* 9/1975 Froehlich ..... D8/89

D347,981 S \* 6/1994 Suggs, Sr. .... D8/14  
7,338,032 B2 \* 3/2008 Sykes, Jr. .... B66F 15/00  
254/21  
9,493,330 B2 \* 11/2016 Nestor ..... E04G 23/08  
D834,911 S \* 12/2018 Kasan ..... E04G 23/08  
D8/88  
10,618,787 B2 \* 4/2020 Kasan ..... E04G 23/08

\* cited by examiner

*Primary Examiner* — Philip S Hyder

(74) *Attorney, Agent, or Firm* — Charles T. Riggs, Jr.

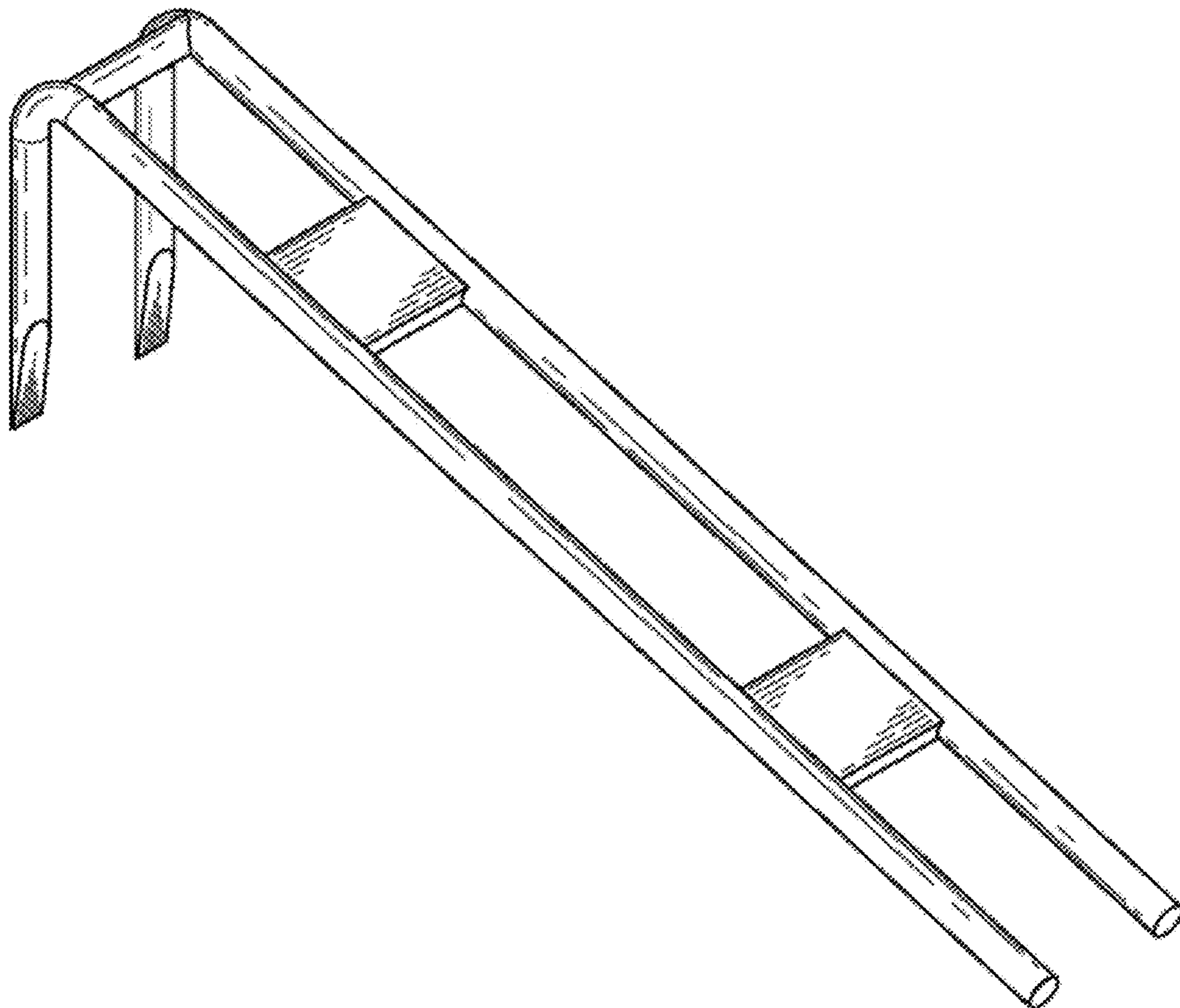
(57) **CLAIM**

The ornamental design for a demolition device, as shown and described.

**DESCRIPTION**

FIG. 1 is a perspective view of a demolition device showing our new design;  
FIG. 2 is a left side elevation view thereof;  
FIG. 3 is a right side elevation view thereof;  
FIG. 4 is a rear elevation view thereof;  
FIG. 5 is a front elevation view thereof;  
FIG. 6 is a top plan view thereof; and,  
FIG. 7 is a bottom plan view thereof.

**1 Claim, 6 Drawing Sheets**



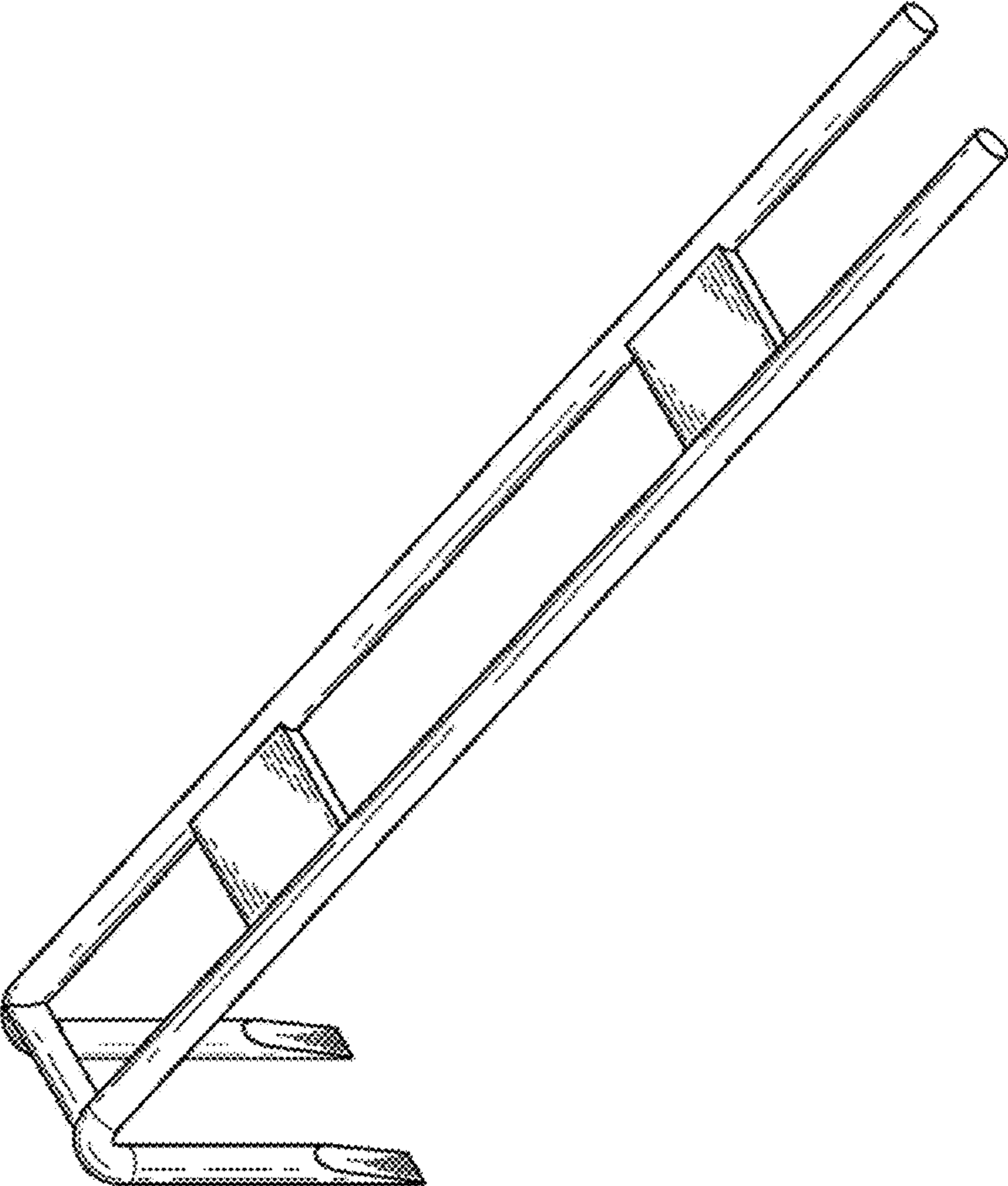


FIG. 1

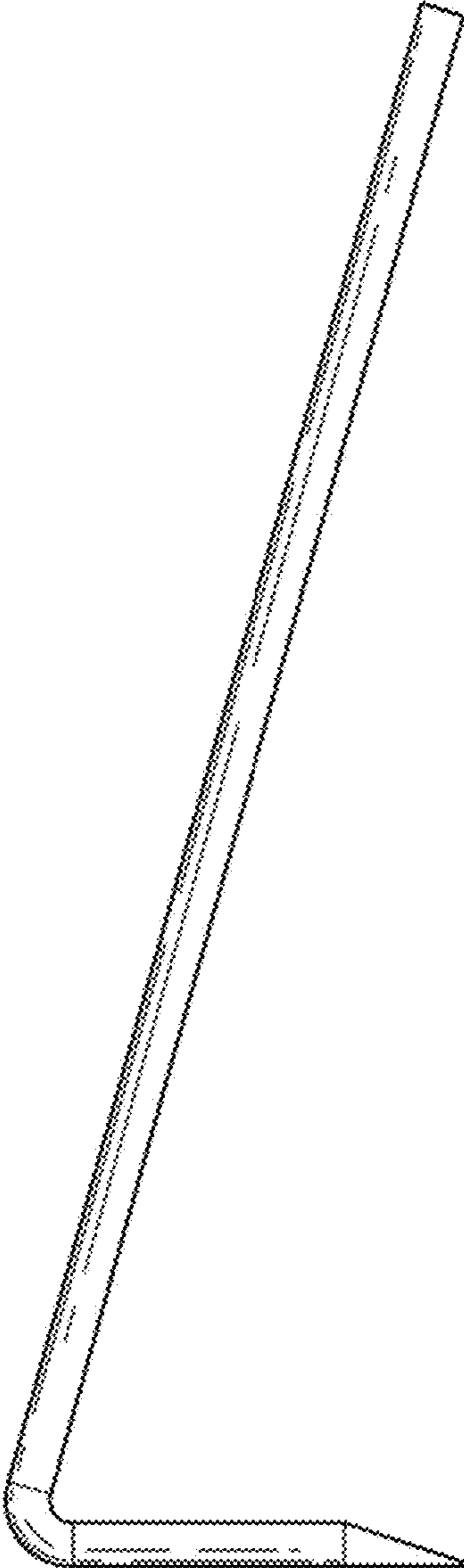


FIG. 2

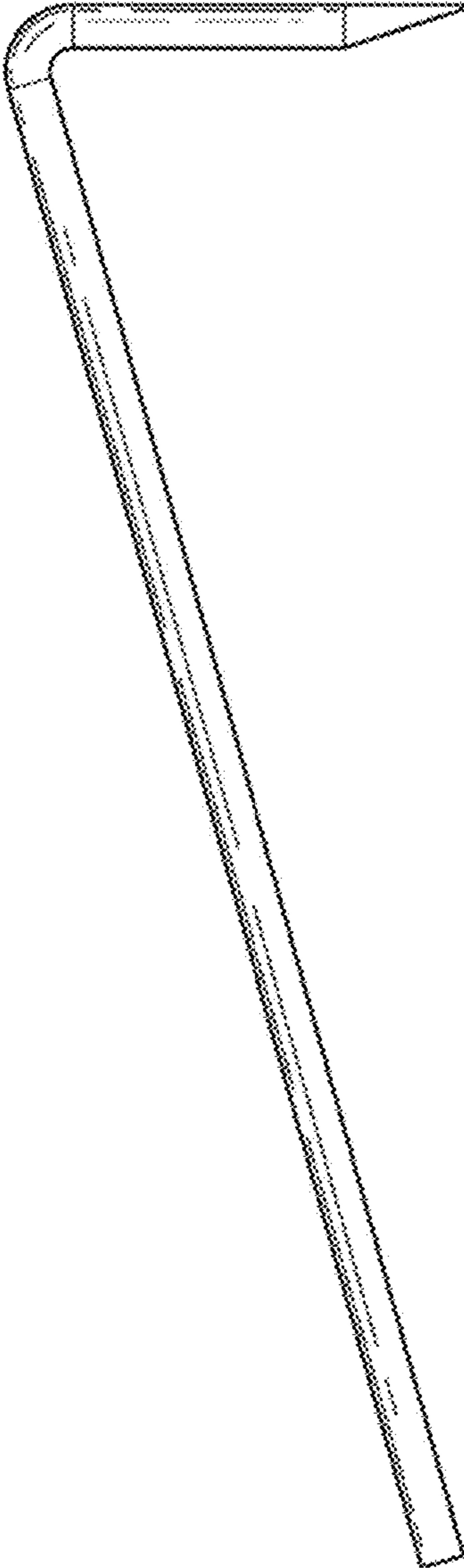


FIG. 3

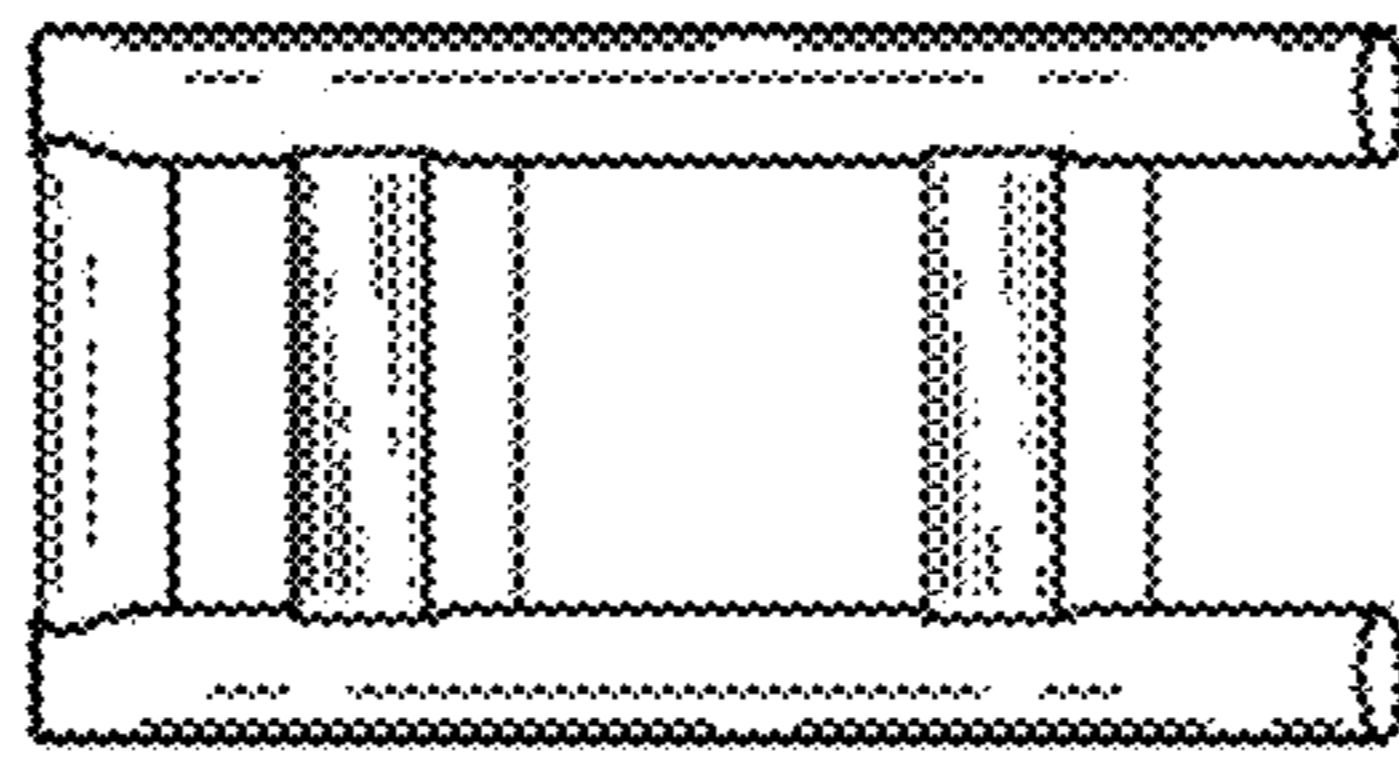


FIG. 5

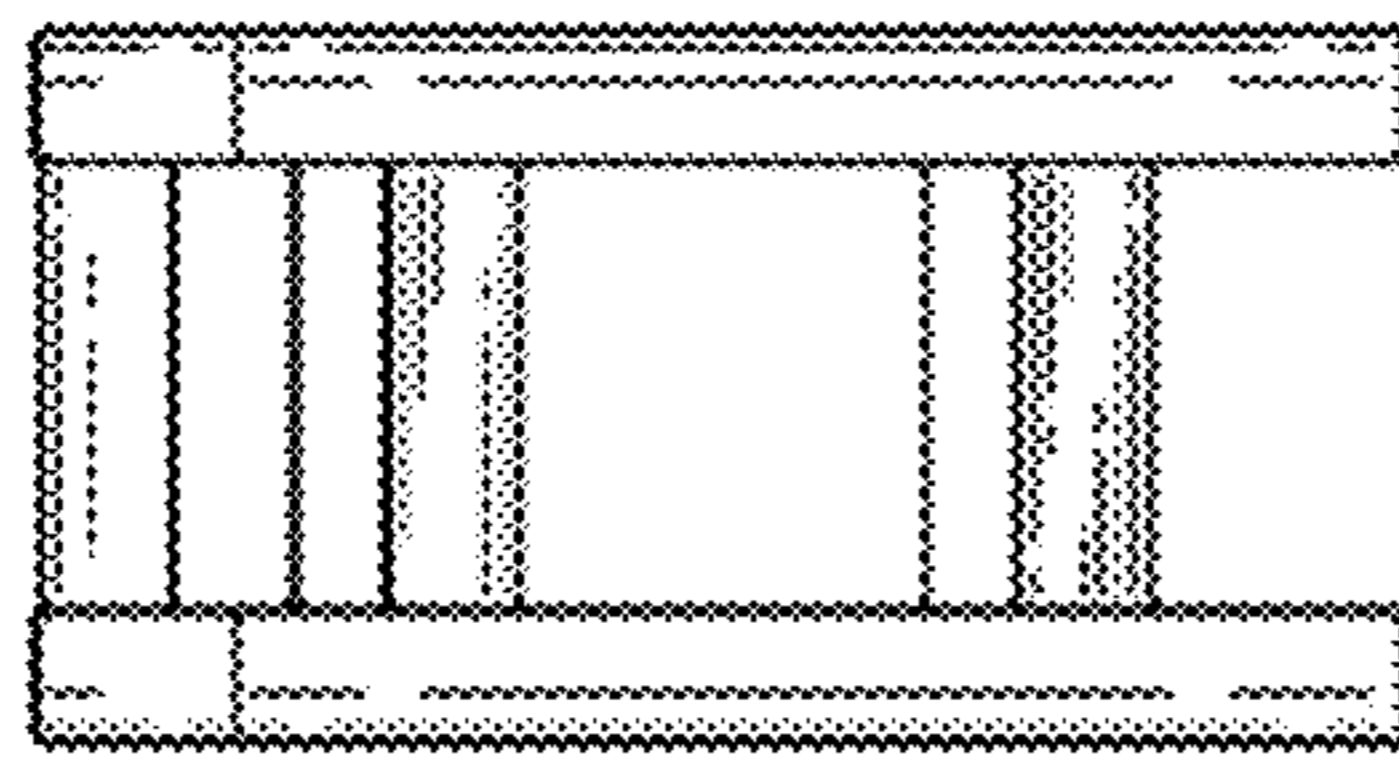


FIG. 4

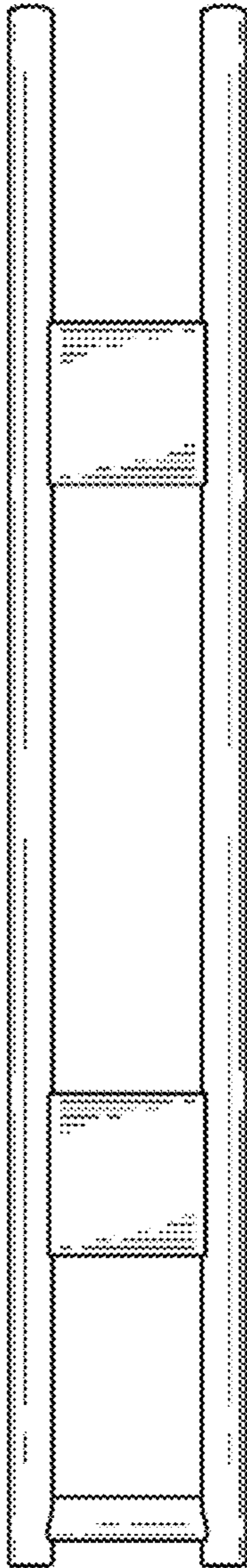


FIG. 6

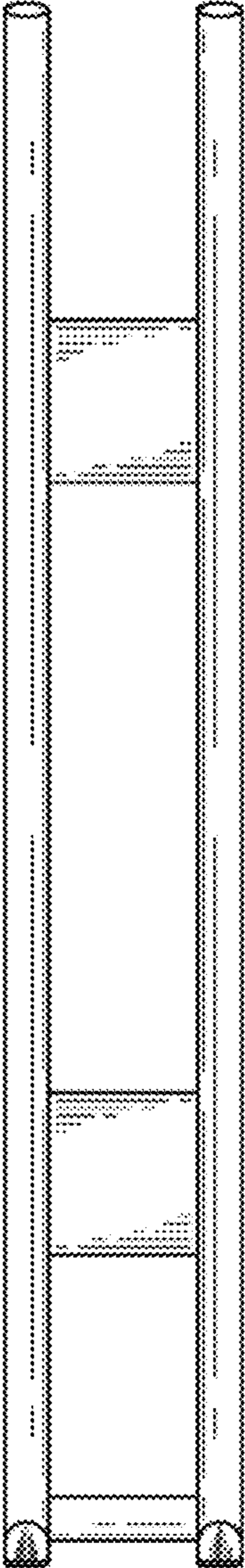


FIG. 7