



US00D955843S

(12) **United States Design Patent** (10) **Patent No.:** **US D955,843 S**  
**Zimmermann et al.** (45) **Date of Patent:** **\*\* Jun. 28, 2022**

(54) **DRIVER BIT**

FOREIGN PATENT DOCUMENTS

(71) Applicant: **MILWAUKEE ELECTRIC TOOL CORPORATION**, Brookfield, WI (US)

CN 201070753 Y 6/2008  
DE 2231949 A1 2/1973

(Continued)

(72) Inventors: **Michael J. Zimmermann**, New Berlin, WI (US); **James J. Van Essen**, Hales Corners, WI (US)

OTHER PUBLICATIONS

(73) Assignee: **MILWAUKEE ELECTRIC TOOL CORPORATION**, Brookfield, WI (US)

Vessel, "Problem Solvers are ready to go!" catalog, 5 pages, printed from web site www.vessel.jp/online/pro\_b\_bit.html on Sep. 11, 2008.

(Continued)

(\*\*) Term: **15 Years**

*Primary Examiner* — Wan Laymon

(21) Appl. No.: **29/782,037**

(74) *Attorney, Agent, or Firm* — Michael Best & Friedrich LLP

(22) Filed: **May 4, 2021**

**Related U.S. Application Data**

(57) **CLAIM**

(62) Division of application No. 29/659,603, filed on Aug. 10, 2018, now Pat. No. Des. 921,468.

We claim the ornamental design for a driver bit, as shown and described.

(51) **LOC (13) Cl.** ..... **08-04**

(52) **U.S. Cl.**  
USPC ..... **D8/86**

(58) **Field of Classification Search**  
USPC ..... D8/82-86  
CPC ... B25B 15/001; B25B 15/002; B25B 15/004;  
B25B 15/005; B25B 15/007  
See application file for complete search history.

**DESCRIPTION**

(56) **References Cited**

U.S. PATENT DOCUMENTS

442,710 A	12/1890	Marsh
896,443 A	10/1907	Lund
876,675 A	1/1908	Albrecht
925,115 A	6/1909	Loewenberg
D59,417 S	10/1921	Graham
1,645,672 A	10/1927	Van Saun
1,776,525 A	9/1930	Talbot
1,923,132 A	8/1933	Witkin
1,932,113 A	10/1933	Long

(Continued)

FIG. 1 is a perspective view of a driver bit embodying the invention.

FIG. 2 is a first side view of the driver bit of FIG. 1.

FIG. 3 is a second side view of the driver bit of FIG. 1.

FIG. 4 is a first end view of the driver bit of FIG. 1.

FIG. 5 is a second end view of the driver bit of FIG. 1.

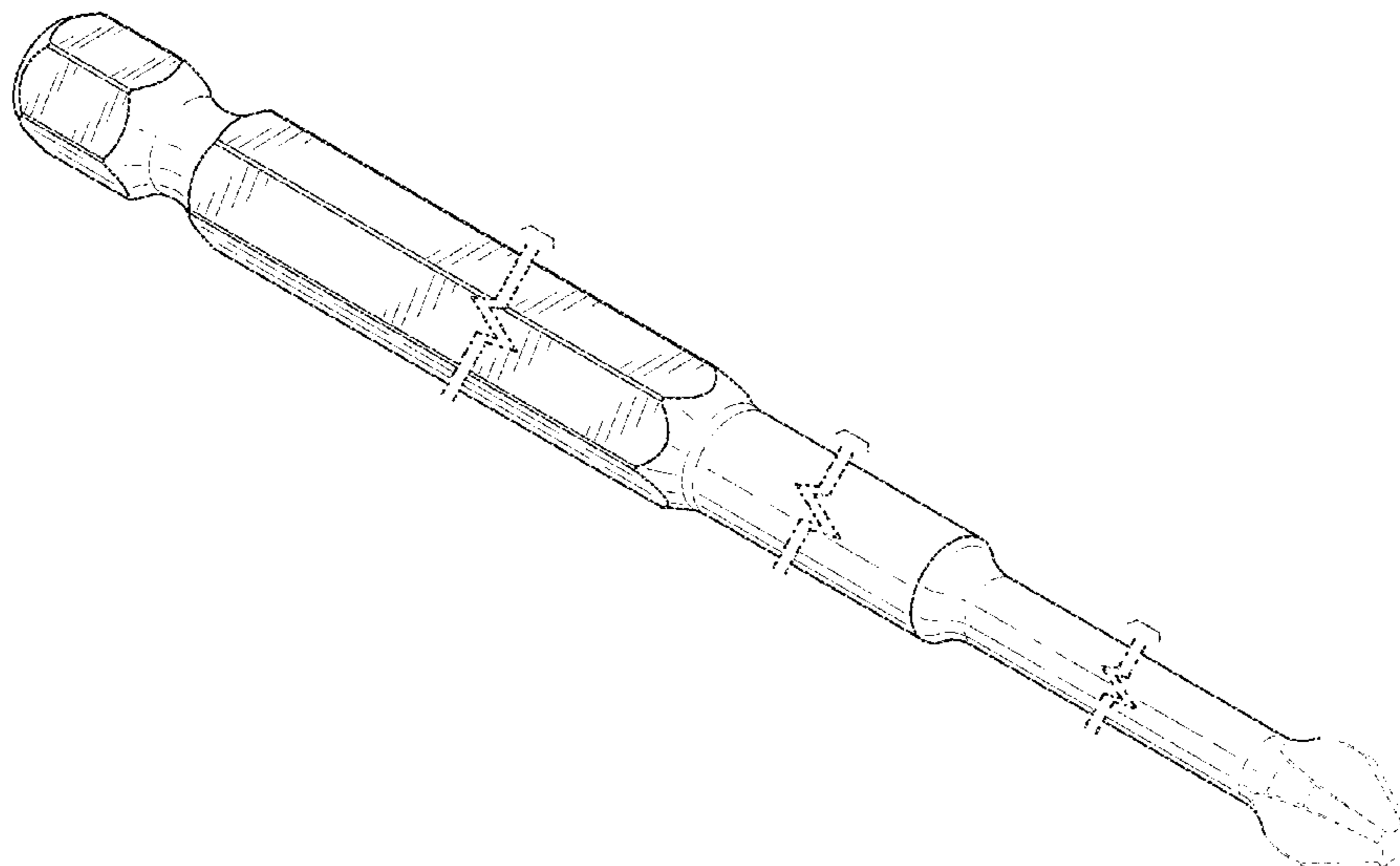
FIG. 6 is a top view of the driver bit of FIG. 1; and,

FIG. 7 is a bottom view of the driver bit of FIG. 1.

The broken lines immediately adjacent the shaded areas represent the bounds of the claimed design while all other broken lines are directed to environment and are for illustrative purposes only; the broken lines form no part of the claimed design.

The broken away symbols in the drawings indicate the appearance of any portion of the article between the break lines forms no part of the claimed design.

**1 Claim, 3 Drawing Sheets**



(56)

## References Cited

## U.S. PATENT DOCUMENTS

1,979,460 A	11/1934	Forsberg	5,012,709 A	5/1991	Sundsten et al.
1,984,839 A	12/1934	Murray	5,028,367 A	7/1991	Wei et al.
2,010,616 A	8/1935	Walsh	5,031,488 A	7/1991	Zumeta
2,022,703 A	12/1935	Banner	5,059,387 A	10/1991	Brasel
2,216,382 A	10/1940	West et al.	5,070,750 A	12/1991	Jones et al.
2,281,631 A	10/1940	West et al.	5,079,978 A	1/1992	Kupfer
2,307,556 A	1/1943	Wileman	5,122,326 A	6/1992	Jackson et al.
2,366,682 A	1/1945	West et al.	5,140,877 A	8/1992	Sloan
2,400,684 A	5/1946	Clark	5,152,642 A	10/1992	Pitts et al.
2,410,971 A	11/1946	Hartley	5,176,050 A	1/1993	Sauer et al.
2,417,225 A	3/1947	West et al.	5,180,042 A	1/1993	Ogiso
2,445,978 A	7/1948	Stellin	5,182,973 A	2/1993	Martindell
D150,800 S	8/1948	Magnus, Jr.	5,199,336 A	4/1993	Wuilmart
2,515,839 A	7/1950	Robertson	5,228,250 A	7/1993	Kesselman
2,522,996 A	9/1950	Cone	5,262,122 A	11/1993	Weich, Jr.
2,523,041 A	9/1950	McKenzie	5,295,423 A	3/1994	Mikic
2,537,029 A	1/1951	Camborn	5,295,831 A	3/1994	Patterson et al.
2,592,978 A	4/1952	Trimboli	5,299,474 A	4/1994	Hohmann et al.
2,621,688 A	12/1952	Wales	5,330,230 A	7/1994	Craig
2,804,894 A	9/1957	Rosenburg	5,332,537 A	7/1994	Hens et al.
2,820,382 A	1/1958	Smith	RE34,680 E	8/1994	Lieser
2,833,548 A	5/1958	Clark	5,338,508 A	8/1994	Nitta et al.
2,964,931 A	12/1960	Sorenson	D350,685 S	9/1994	Perkins et al.
2,969,660 A	1/1961	Dale et al.	5,353,667 A	10/1994	Wilner
3,129,571 A	4/1964	Reynolds	5,370,021 A	12/1994	Shigematsu
3,151,512 A	10/1964	Charczenko	5,380,476 A	1/1995	Matsushita et al.
3,213,719 A	10/1965	Kloack	5,397,531 A	3/1995	Peiris et al.
3,237,741 A	3/1966	Potter et al.	D359,335 S	6/1995	Cartwright
3,253,626 A	5/1966	Stillwagon, Jr. et al.	5,535,867 A	7/1996	Coccaro et al.
3,331,267 A	7/1967	Tietge	5,613,183 A	3/1997	Weich, Jr.
3,387,669 A	6/1968	Wise, Jr. et al.	5,619,882 A	4/1997	Godtner
3,392,793 A	7/1968	Pauley	5,627,258 A	5/1997	Takayama et al.
3,393,722 A	7/1968	Windham	5,641,920 A	6/1997	Hens et al.
3,419,135 A	12/1968	Millner	5,676,421 A	10/1997	Brodsky
D218,609 S	9/1970	Charles	5,704,261 A	1/1998	Strauch et al.
3,592,087 A	7/1971	Pauley	5,791,212 A	8/1998	Han
3,703,916 A	11/1972	Sundsten et al.	5,819,606 A	10/1998	Arnold
3,753,625 A	8/1973	Fabrizo et al.	5,830,287 A	11/1998	Pinnow et al.
3,888,144 A	6/1975	Parsons	5,868,047 A	2/1999	Faust et al.
3,891,017 A	6/1975	Iskra	5,885,149 A	3/1999	Gillet et al.
3,916,736 A	11/1975	Clemens	D410,372 S	6/1999	Strauch
3,969,810 A	7/1976	Pagano	5,950,063 A	9/1999	Hens et al.
3,985,170 A	10/1976	Iskra	5,953,969 A	9/1999	Rosenhan
4,037,515 A	7/1977	Kesselman	5,957,012 A	9/1999	McCune
4,092,753 A	6/1978	Fuhrmann	5,984,596 A	11/1999	Fehrle et al.
4,096,896 A	6/1978	Engel	6,019,022 A	2/2000	Dotson
4,105,056 A	8/1978	Arnn	6,032,556 A	3/2000	Hu
4,197,118 A	4/1980	Weich, Jr.	6,047,618 A	4/2000	Pieri
4,215,600 A	8/1980	Kesselman	6,051,184 A	4/2000	Kankawa
4,246,811 A	1/1981	Bondhus et al.	6,082,227 A	7/2000	Vogel
4,399,723 A	8/1983	Marleau	6,089,133 A	7/2000	Liao
4,409,867 A	10/1983	Lyden	6,093,761 A	7/2000	Schofalvi
4,573,839 A	3/1986	Finnegan	RE36,797 E	8/2000	Eggert et al.
4,680,996 A	7/1987	Gold	6,098,499 A	8/2000	Pool
4,692,073 A	9/1987	Martindell	D431,768 S	10/2000	Feik
4,705,124 A	11/1987	Abrahamson et al.	6,138,539 A	10/2000	Carchidi et al.
4,710,223 A	12/1987	Matejczyk	6,193,242 B1	2/2001	Robison
4,737,332 A	4/1988	Miyashita et al.	6,204,316 B1	3/2001	Schofalvi
4,765,950 A	8/1988	Johnson	6,234,660 B1	5/2001	Hullmann et al.
4,782,574 A	11/1988	Karcher et al.	D445,325 S	7/2001	Fruhm
4,795,598 A	1/1989	Billiet	6,257,098 B1	7/2001	Cirone
4,800,786 A	1/1989	Arnold et al.	6,302,001 B1	10/2001	Karle
4,825,732 A	5/1989	Arnold et al.	6,308,598 B1	10/2001	O'Neil
4,833,951 A	5/1989	Karcher et al.	6,332,384 B1	12/2001	Cluthe
4,836,059 A	6/1989	Arnold	6,345,560 B1	2/2002	Strauch et al.
4,838,361 A	6/1989	O'Toole	6,352,011 B1	3/2002	Fruhm
4,852,196 A	8/1989	Martindell	D455,627 S	4/2002	Song
4,884,478 A	12/1989	Lieser	D455,943 S	4/2002	Lin
4,936,170 A	6/1990	Zumeta	6,376,585 B1	4/2002	Schofalvi et al.
4,943,403 A	7/1990	Miyashita et al.	6,393,950 B1	5/2002	Crosser
4,947,713 A	8/1990	Arnold	6,435,065 B2	8/2002	Kozak et al.
4,964,907 A	10/1990	Kiyota et al.	D462,596 S	9/2002	Fruhm
4,982,627 A	1/1991	Johnson	6,490,950 B2	12/2002	Ray et al.
5,009,841 A	4/1991	Bloemacher et al.	6,520,055 B1	2/2003	Reusch et al.
5,012,708 A	5/1991	Martindell	6,537,487 B1	3/2003	Kuhns
			6,547,210 B1	4/2003	Marx et al.
			6,547,562 B2	4/2003	Kumar
			6,666,258 B1	12/2003	Kono
			6,701,814 B2	3/2004	Porkapile

(56)

References Cited

U.S. PATENT DOCUMENTS

6,733,896 B2 5/2004 Dolan et al.  
 6,761,093 B2 7/2004 Chang  
 6,792,831 B2 9/2004 Crosser  
 6,883,405 B2 4/2005 Strauch  
 6,988,859 B2 1/2006 Borschert et al.  
 7,010,998 B2 3/2006 Ying-Hao  
 7,028,588 B2 4/2006 Shih  
 7,107,882 B1 9/2006 Chang  
 7,117,765 B1 10/2006 Wallden  
 7,143,670 B2 12/2006 Geary  
 7,159,493 B1 1/2007 Huang  
 7,168,348 B2 1/2007 Holland-Letz  
 7,188,556 B1 3/2007 Rinner  
 7,261,023 B2 8/2007 Taguchi  
 7,331,263 B2 2/2008 Erickson et al.  
 7,437,979 B1 10/2008 Wang  
 D596,003 S 6/2009 Collier  
 D600,525 S 9/2009 Meng  
 7,581,470 B1 9/2009 Huang  
 7,662,338 B2 2/2010 Tanaka  
 7,814,815 B2 10/2010 Chen  
 D631,723 S 2/2011 DeBaker  
 7,882,908 B2 2/2011 Koch et al.  
 7,959,706 B2 6/2011 Tanaka  
 D646,138 S 10/2011 Hsu  
 D646,139 S 10/2011 Hsu  
 D646,547 S 10/2011 DeBaker  
 8,028,608 B2 10/2011 Sixto, Jr. et al.  
 8,047,260 B2 11/2011 Uno et al.  
 8,052,156 B2 11/2011 Chen  
 8,418,587 B2 4/2013 DeBaker  
 8,468,913 B1 6/2013 Bond  
 8,752,455 B1 6/2014 Taylor, Jr.  
 8,955,418 B2 2/2015 Peters et al.  
 8,973,474 B2\* 3/2015 Lai ..... B25B 23/005  
 81/184  
 D725,984 S 4/2015 Moss et al.  
 D726,521 S 4/2015 Moss et al.  
 D752,408 S 3/2016 Moss et al.  
 9,849,570 B2\* 12/2017 DeBaker ..... B25B 15/005  
 10,022,845 B2 7/2018 Neitzell  
 10,065,294 B2\* 9/2018 DeBaker ..... B25B 15/004  
 2001/0001892 A1 5/2001 Hu  
 2002/0046629 A1 4/2002 Borschert et al.  
 2002/0060206 A1 5/2002 Katayama et al.  
 2004/0007095 A1 1/2004 Meng  
 2004/0099106 A1 5/2004 Strauch et al.  
 2005/0028651 A1 2/2005 Crosser  
 2005/0076749 A1 4/2005 Liu  
 2005/0087045 A1 4/2005 Gryciuk et al.  
 2005/0227772 A1 10/2005 Kletecka et al.  
 2006/0027054 A1 2/2006 Wang  
 2006/0130621 A1 6/2006 Novak et al.  
 2006/0230887 A1 10/2006 Taguchi  
 2006/0266163 A1 11/2006 Crosser  
 2006/0286506 A1 12/2006 Birnholtz  
 2007/0028728 A1 2/2007 Griffiths  
 2007/0062382 A1 3/2007 Hu  
 2007/0131065 A1 6/2007 Shih  
 2007/0207715 A1 9/2007 Webb  
 2007/0227314 A1 10/2007 Erickson et al.  
 2008/0034928 A1 2/2008 Sheu  
 2008/0047401 A1 2/2008 Lu  
 2008/0087142 A1 4/2008 Lin  
 2008/0216616 A1 9/2008 Hsieh  
 2008/0295650 A1 12/2008 Hsieh  
 2010/0139099 A1 6/2010 Blaauw  
 2010/0154587 A1 6/2010 Eason  
 2010/0192736 A1 8/2010 Burch et al.  
 2010/0269264 A1 10/2010 Huang  
 2010/0275741 A1 11/2010 Lai

2010/0288086 A1 11/2010 Huang  
 2010/0307298 A1 12/2010 Lai  
 2011/0189046 A1 8/2011 Bruhn et al.  
 2011/0197721 A1\* 8/2011 DeBaker ..... B25B 15/005  
 81/436  
 2011/0266068 A1 11/2011 Eason et al.  
 2011/0283842 A1 11/2011 Lai  
 2011/0315456 A1 12/2011 Lyons  
 2012/0003056 A1 1/2012 Jaeger  
 2013/0129435 A1 5/2013 Ortlund et al.  
 2013/0145903 A1 6/2013 DeBaker  
 2014/0318328 A1 10/2014 DeBaker  
 2015/0196995 A1 7/2015 Neitzell  
 2018/0311799 A1 11/2018 Hsu  
 2018/0326563 A1\* 11/2018 DeBaker ..... B25B 15/005  
 2020/0055166 A1 2/2020 Van Essen et al.  
 2020/0406433 A1 12/2020 Van Essen et al.

FOREIGN PATENT DOCUMENTS

DE 3907567 A1 9/1989  
 DE 4207964 A1 9/1993  
 DE 19614961 A1 2/1997  
 DE 19622846 A1 12/1997  
 DE 19628901 C1 1/1998  
 DE 10123407 A1 1/2002  
 DE 10144990 A1 2/2003  
 EP 0046209 B1 9/1986  
 EP 0221279 A2 5/1987  
 EP 0279899 A1 8/1988  
 EP 0467232 A2 1/1992  
 EP 0610693 A1 8/1994  
 GB 963097 A 7/1964  
 GB 1476441 A 6/1977  
 JP 2000006037 A 1/2000  
 JP 2000167775 A 6/2000  
 JP 2000167776 A 6/2000  
 JP 2000198081 A 7/2000  
 JP 3285823 B2 5/2002  
 JP 2003183761 A 7/2003  
 JP 2004142005 A 5/2004  
 JP 2004202665 A 7/2004  
 JP 2004237420 A 8/2004  
 JP 2005254406 A 9/2005  
 JP 2005254407 A 9/2005  
 JP 2006051563 A 2/2006  
 JP 2007111790 A 5/2007  
 JP 2008093799 A 4/2008  
 JP 2014223711 A 12/2014  
 WO 8908536 A1 9/1989  
 WO 9004498 A1 5/1990  
 WO 9414576 A1 7/1994  
 WO 9415755 A1 7/1994  
 WO 9630167 A1 10/1996  
 WO 9912145 A1 3/1999  
 WO 2006094940 A1 9/2006  
 WO 2006100283 A1 9/2006  
 WO 2009029993 A1 3/2009

OTHER PUBLICATIONS

Robert Bosch Power Tool Corporation, catalog, 1982, 3 pages.  
 Black & Decker, Catalog 1(K), Sep. 26, 1960, 4 pages.  
 Black & Decker, catalog, 1947, 4 pages.  
 PCT/US2009/063515 International Search Report and Written Opinion dated Dec. 23, 2009 (10 pages).  
 Wera Tools, Bit Checks Bit and holder sets in a extremely compact format, <[http://www-us.wera.de/product\\_detail\\_us.html?L=1&file=root\\_category\\_tools\\_for\\_power\\_use\\_bit\\_sets\\_bit-checks\\_8700-9\\_ph\\_btz&lang=en-US](http://www-us.wera.de/product_detail_us.html?L=1&file=root_category_tools_for_power_use_bit_sets_bit-checks_8700-9_ph_btz&lang=en-US)> webpage accessed Jan. 12, 2015, 2 pages.  
 International Search Report and Written Opinion for Application No. PCT/US2018/063677 dated Mar. 22, 2019 (13 pages).

\* cited by examiner

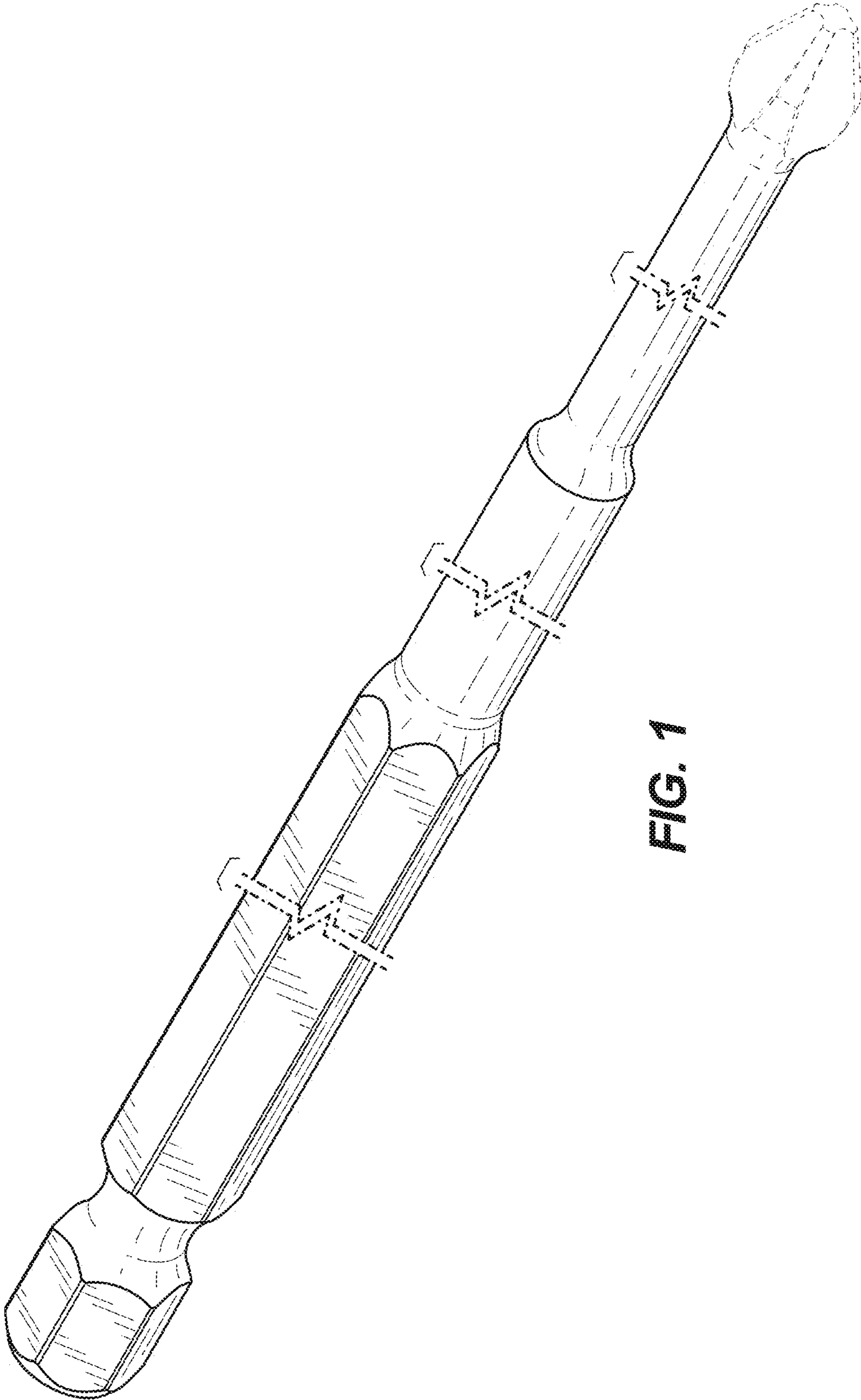
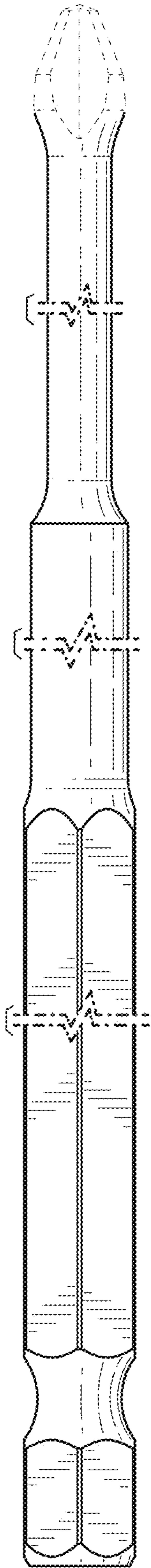
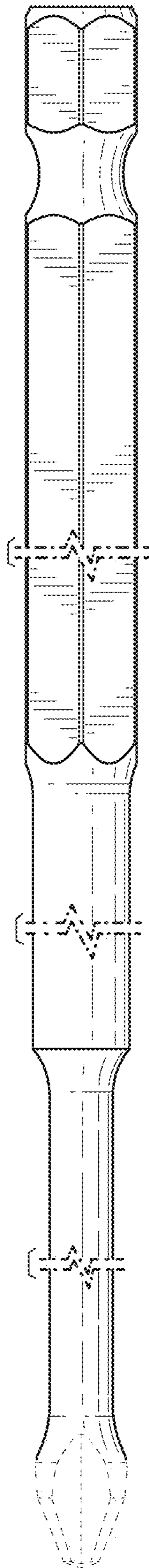


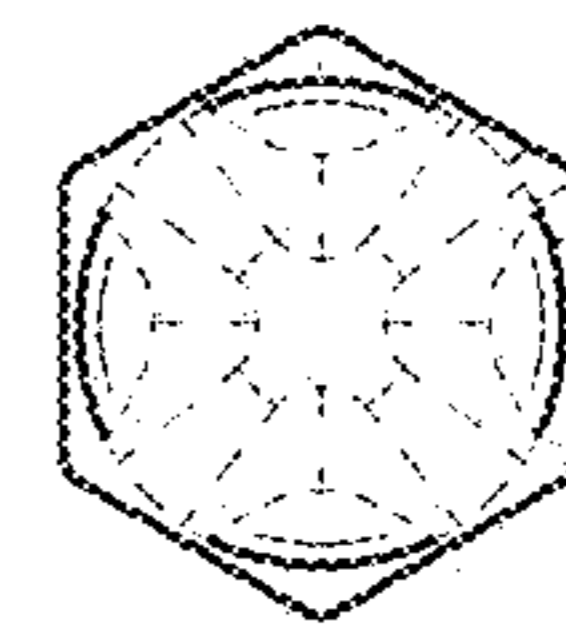
FIG. 1



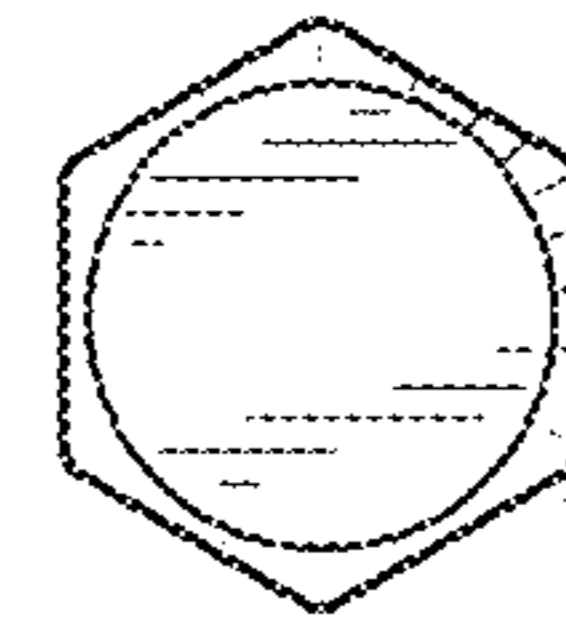
**FIG. 2**



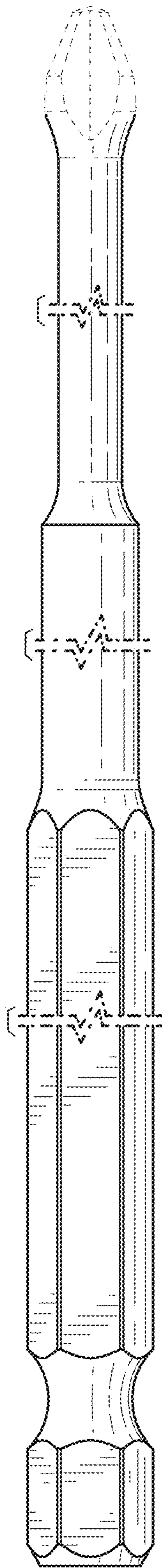
**FIG. 3**



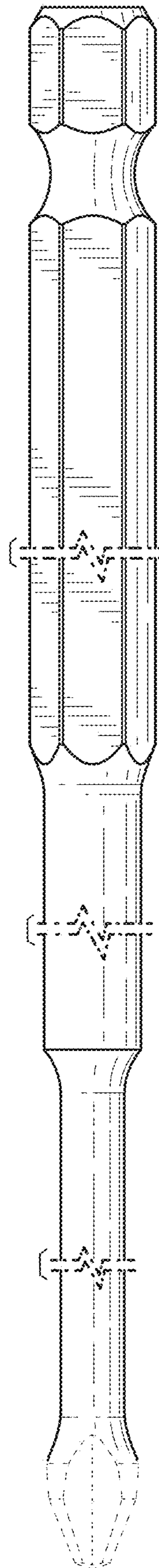
**FIG. 4**



**FIG. 5**



**FIG. 6**



**FIG. 7**