



US00D955842S

(12) **United States Design Patent**
Khuu et al.

(10) **Patent No.:** **US D955,842 S**
(45) **Date of Patent:** **** Jun. 28, 2022**

- (54) **HAIR TIE HOLDER DEVICE**
- (71) Applicants: **Britney Khuu**, Reno, NV (US); **Sion Gutentag**, Reno, NV (US)
- (72) Inventors: **Britney Khuu**, Reno, NV (US); **Sion Gutentag**, Reno, NV (US)
- (73) Assignee: **Hair Tie Hub LLC**, Las Vegas, NV (US)

D804,942 S * 12/2017 Toll D8/396
 D829,090 S * 9/2018 Toll D8/396
 D832,070 S * 10/2018 Hoang D8/71

(Continued)

Primary Examiner — David G Muller

(74) *Attorney, Agent, or Firm* — Kilpatrick Townsend & Stockton LLP

(**) Term: **15 Years**

(21) Appl. No.: **29/752,279**

(22) Filed: **Sep. 25, 2020**

(51) **LOC (13) Cl.** **08-05**

(52) **U.S. Cl.**
USPC **D8/73**

(58) **Field of Classification Search**
 USPC D8/71–74, 394–399, 59; 248/62, 63, 72,
 248/74.1, 689, 124.2; 81/487; 269/3, 4,
 269/6, 143, 165, 240, 243, 246–249,
 269/254 R, 147–149; 29/256, 257, 276;
 408/103, 104–109
 CPC B25B 1/00; B25B 5/00
 See application file for complete search history.

(56) **References Cited**

U.S. PATENT DOCUMENTS

4,264,047 A * 4/1981 Nelson F16L 3/12
 24/339
 D305,611 S * 1/1990 Herzog D8/395
 D393,797 S * 4/1998 Kostigian D32/64
 D438,081 S * 2/2001 Lester D8/71
 D675,087 S * 1/2013 Gary D8/395
 D675,312 S * 1/2013 Zhu D23/411
 D770,885 S * 11/2016 Miros D8/382

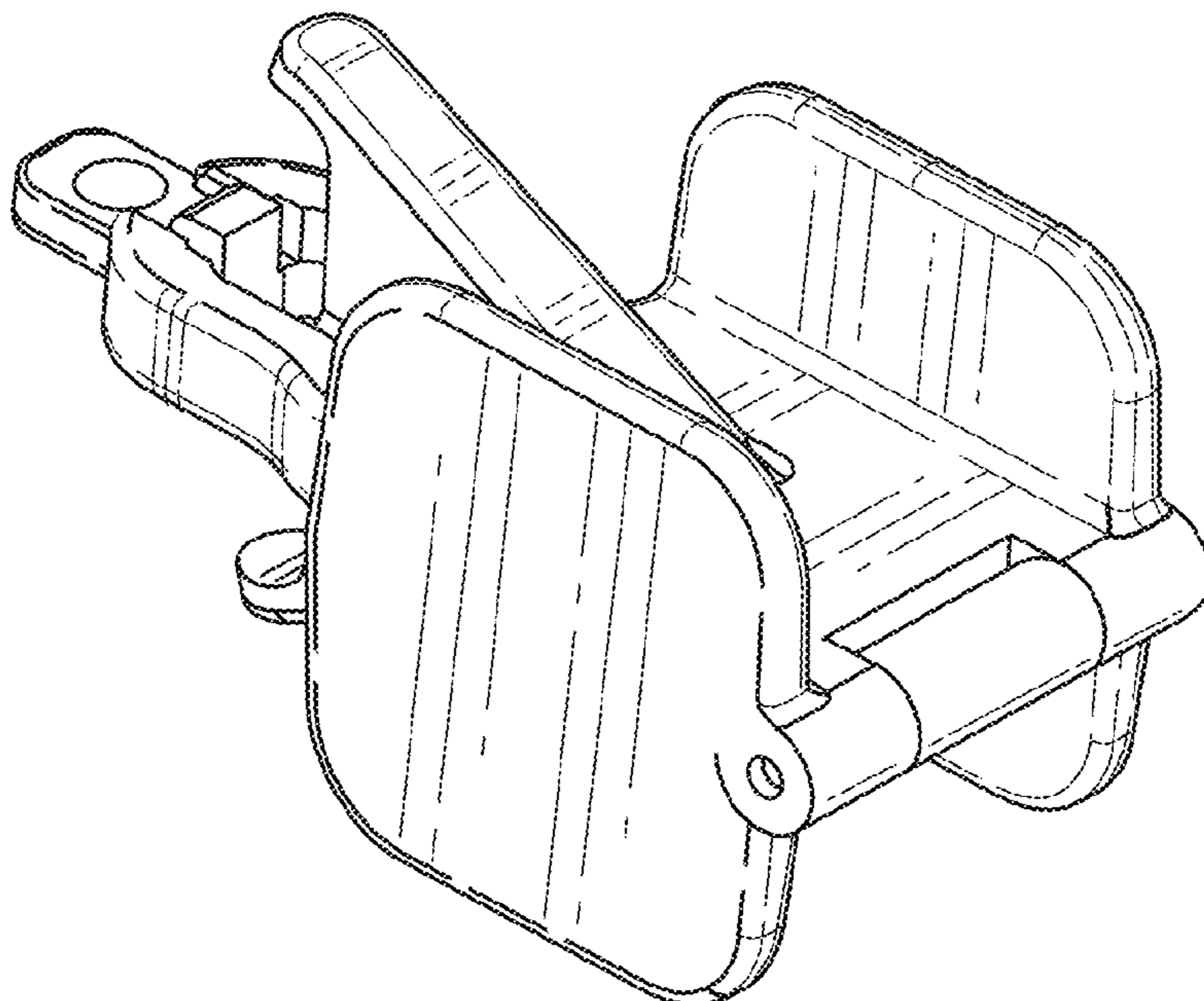
(57) **CLAIM**

The ornamental design for a hair tie holder device, as shown and described.

DESCRIPTION

FIG. 1 is a front perspective view of a hair tie holder device showing our new design in a closed configuration for storage and/or transport of hair ties;
 FIG. 2 is a rear perspective view in the closed configuration;
 FIG. 3 is a left side elevational view in the closed configuration;
 FIG. 4 is a right side elevational view in the closed configuration;
 FIG. 5 is a front elevational view in the closed configuration;
 FIG. 6 is a rear elevational view in the closed configuration;
 FIG. 7 is a top view in the closed configuration;
 FIG. 8 is a bottom view in the closed configuration;
 FIG. 9 is a front perspective view of the hair tie holder device in an open configuration for loading hair ties thereon;
 FIG. 10 is a rear perspective view in the open configuration;
 FIG. 11 is a left side elevational view in the open configuration;
 FIG. 12 is a right side elevational view in the open configuration;
 FIG. 13 is a front elevational view in the open configuration;
 FIG. 14 is a rear elevational view in the open configuration;
 FIG. 15 is a top view in the open configuration; and,
 FIG. 16 is a bottom view in the open configuration.

1 Claim, 16 Drawing Sheets



(56)

References Cited

U.S. PATENT DOCUMENTS

10,597,250 B2 * 3/2020 Elliott B65H 35/0086
D909,193 S * 2/2021 Canavarro D8/394
D909,194 S * 2/2021 Felt D8/395

* cited by examiner

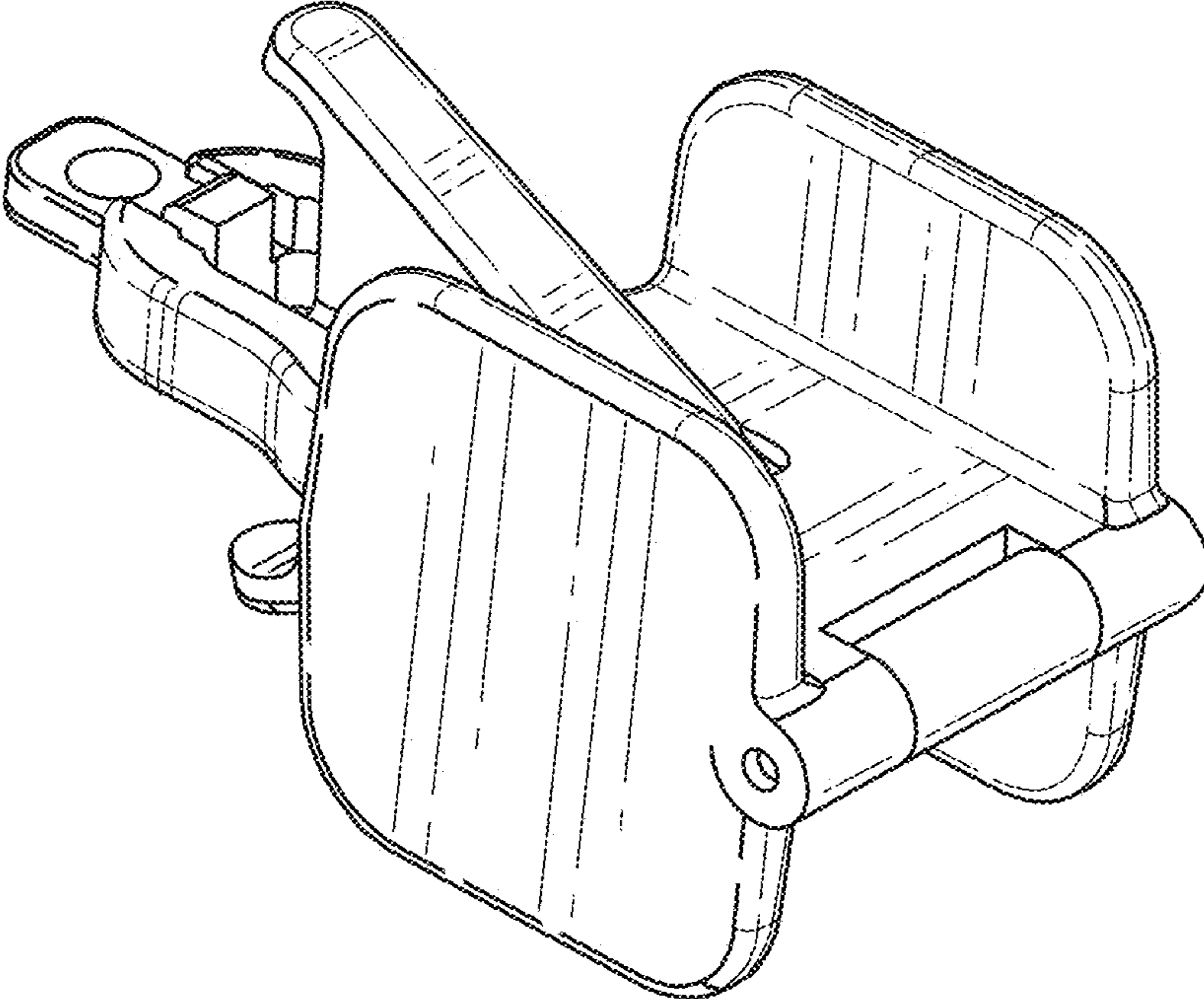


FIG. 1

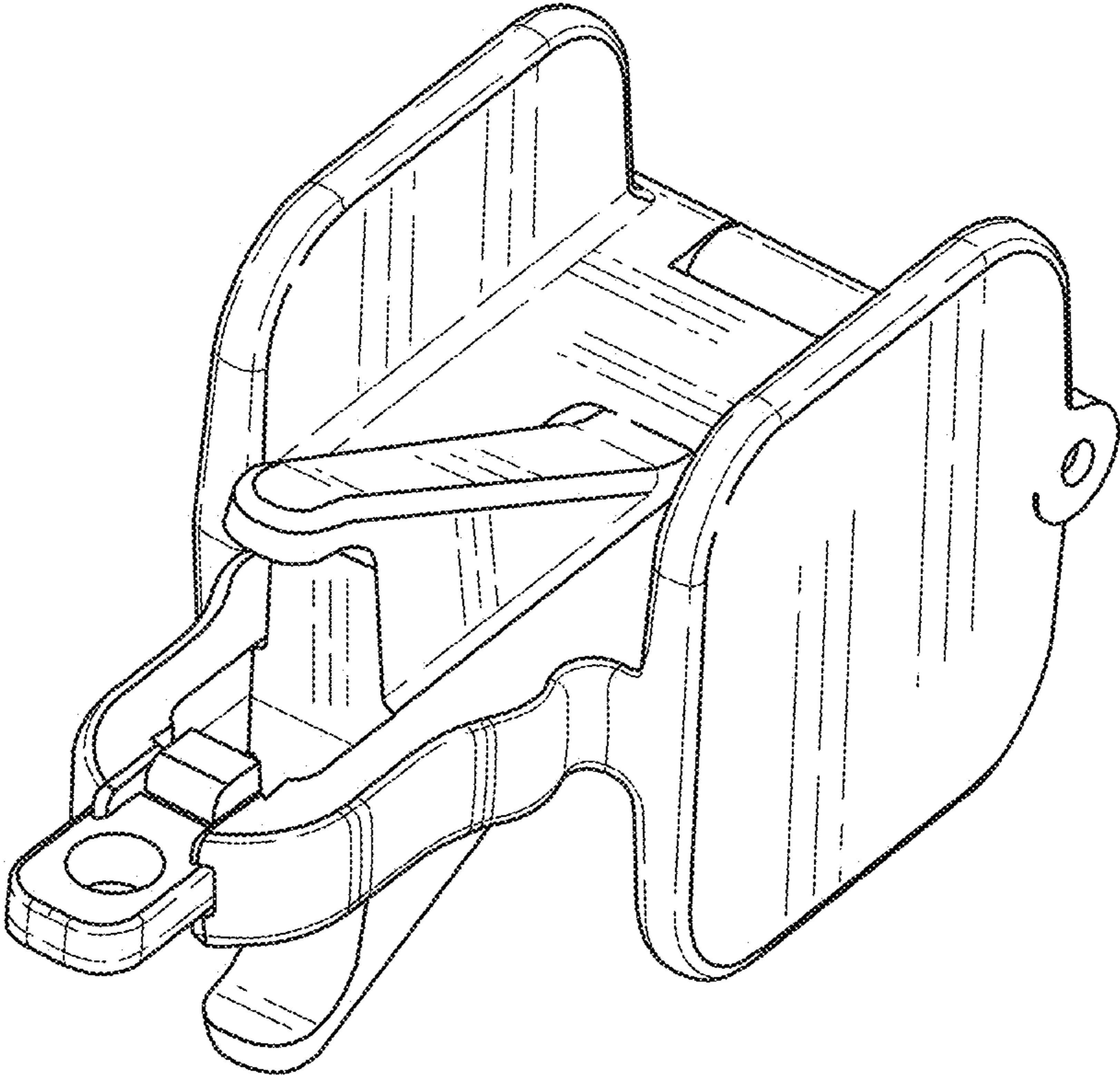


FIG. 2

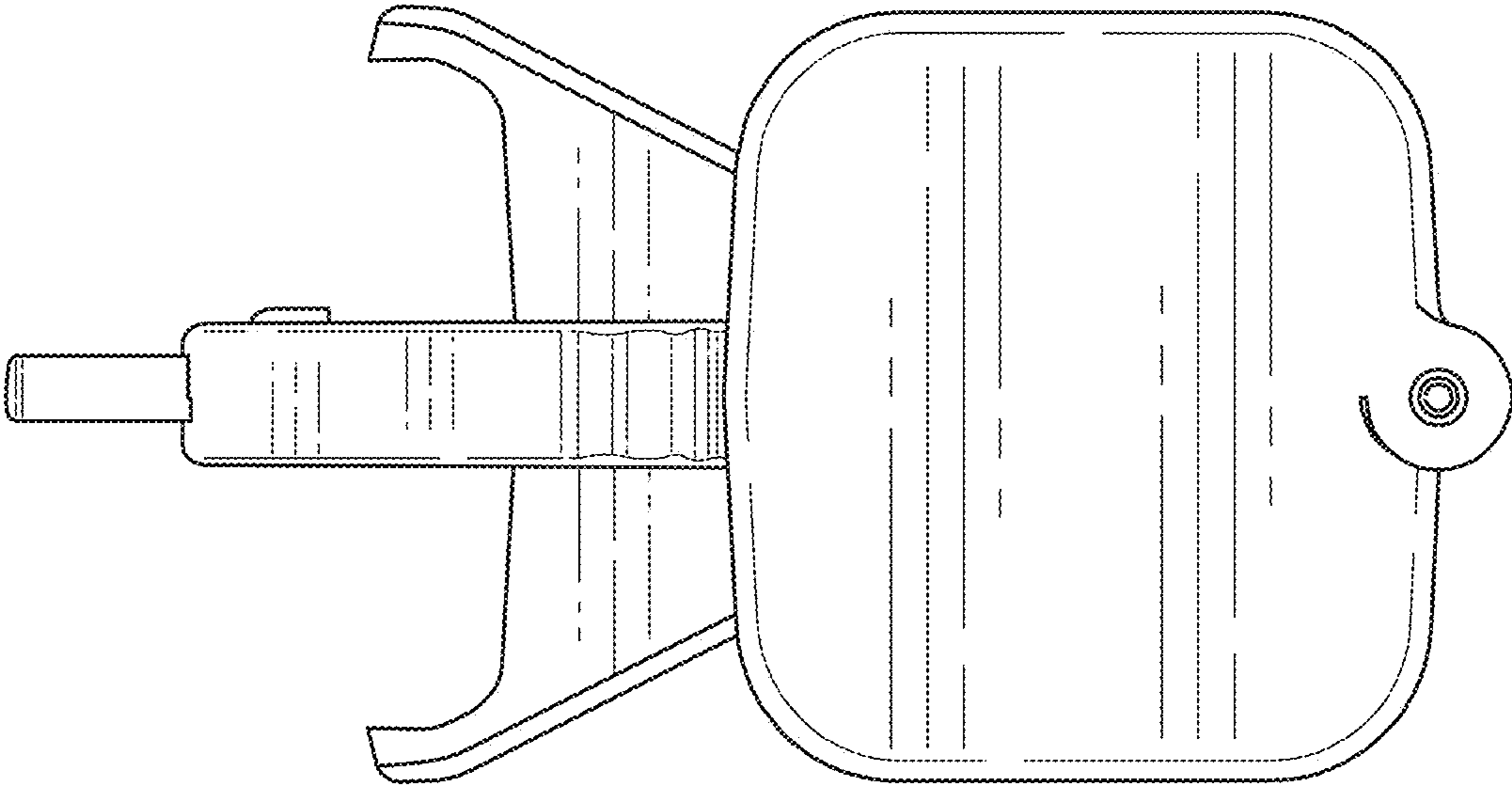


FIG. 3

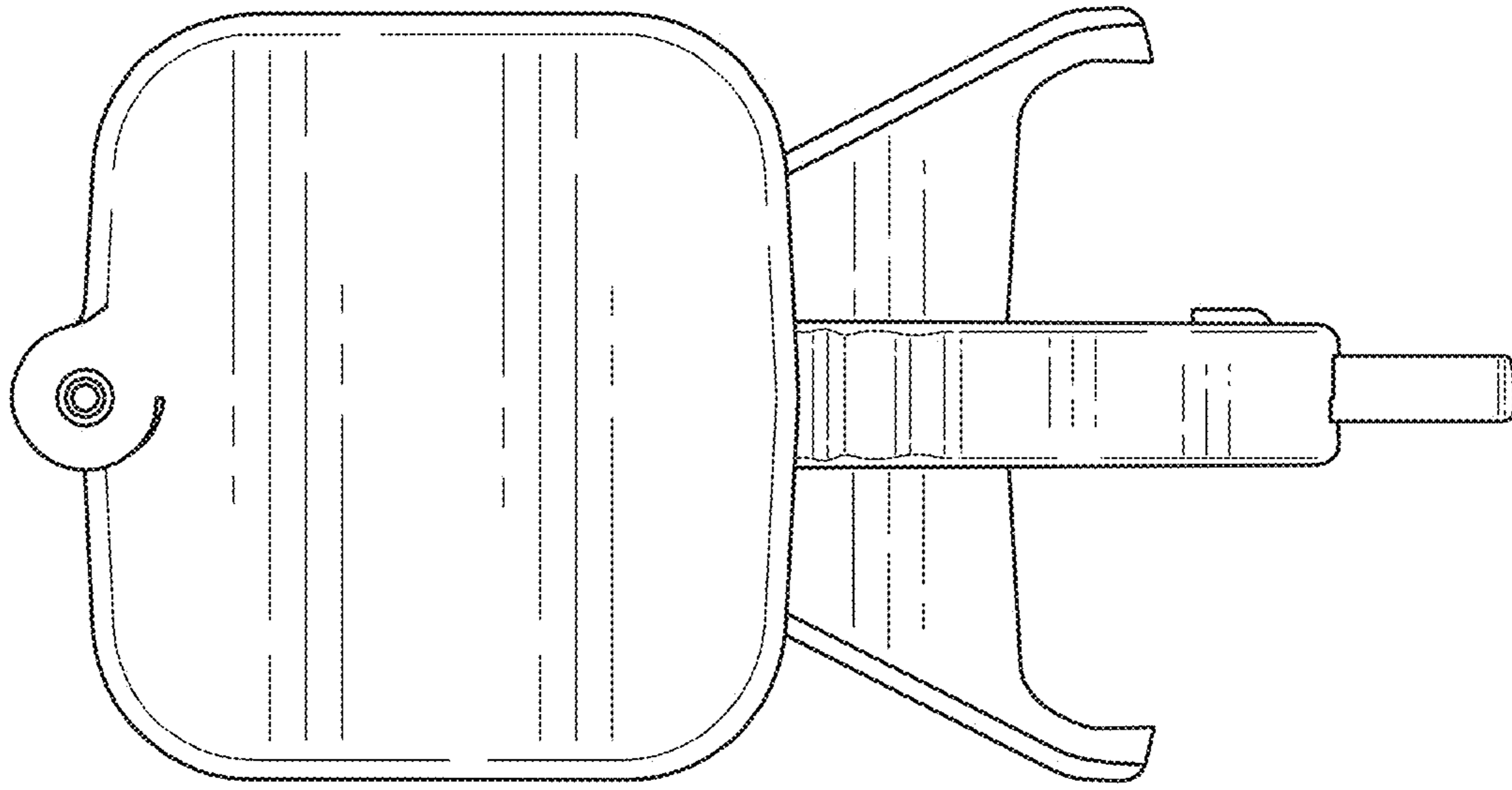


FIG. 4

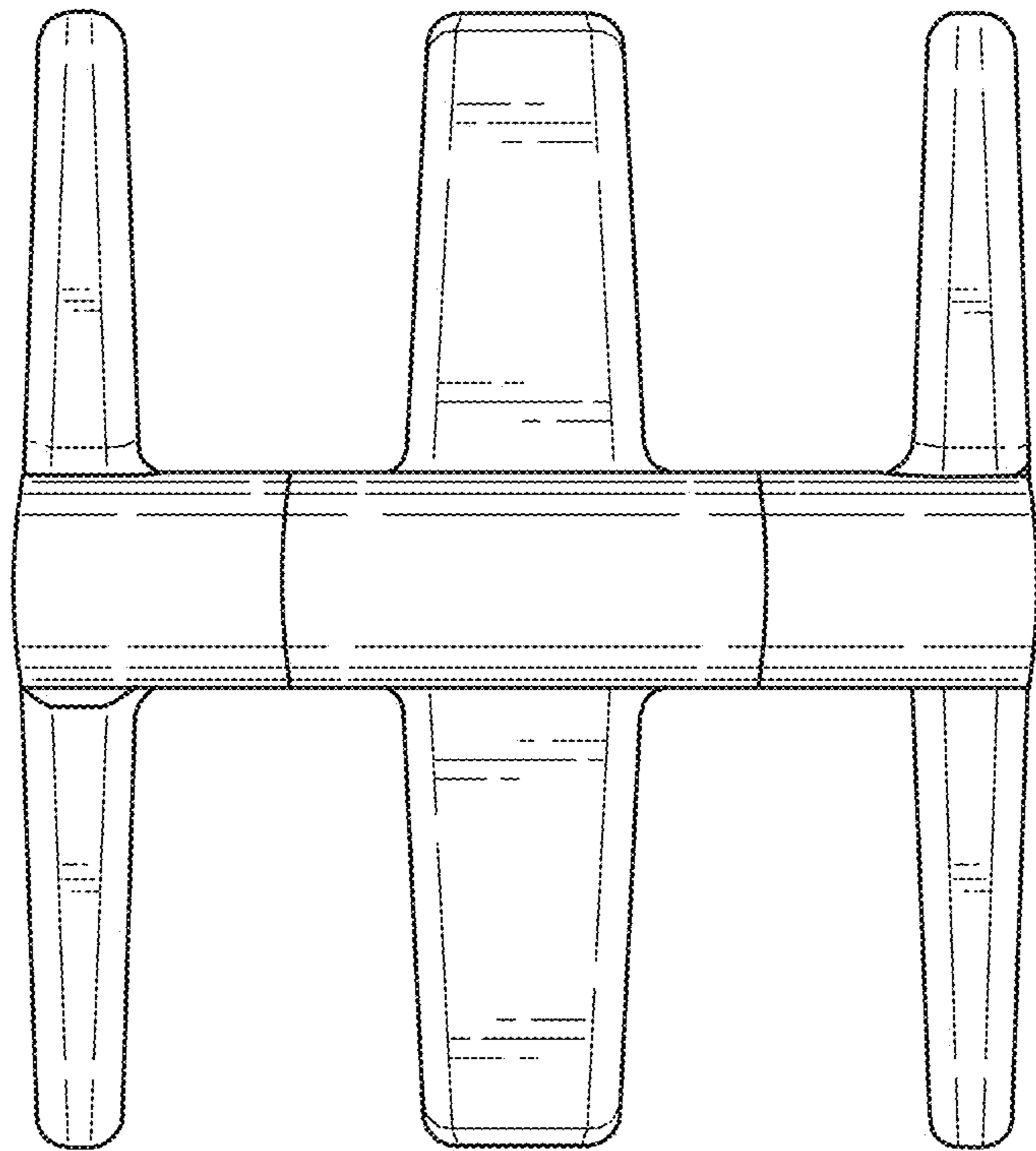


FIG. 5

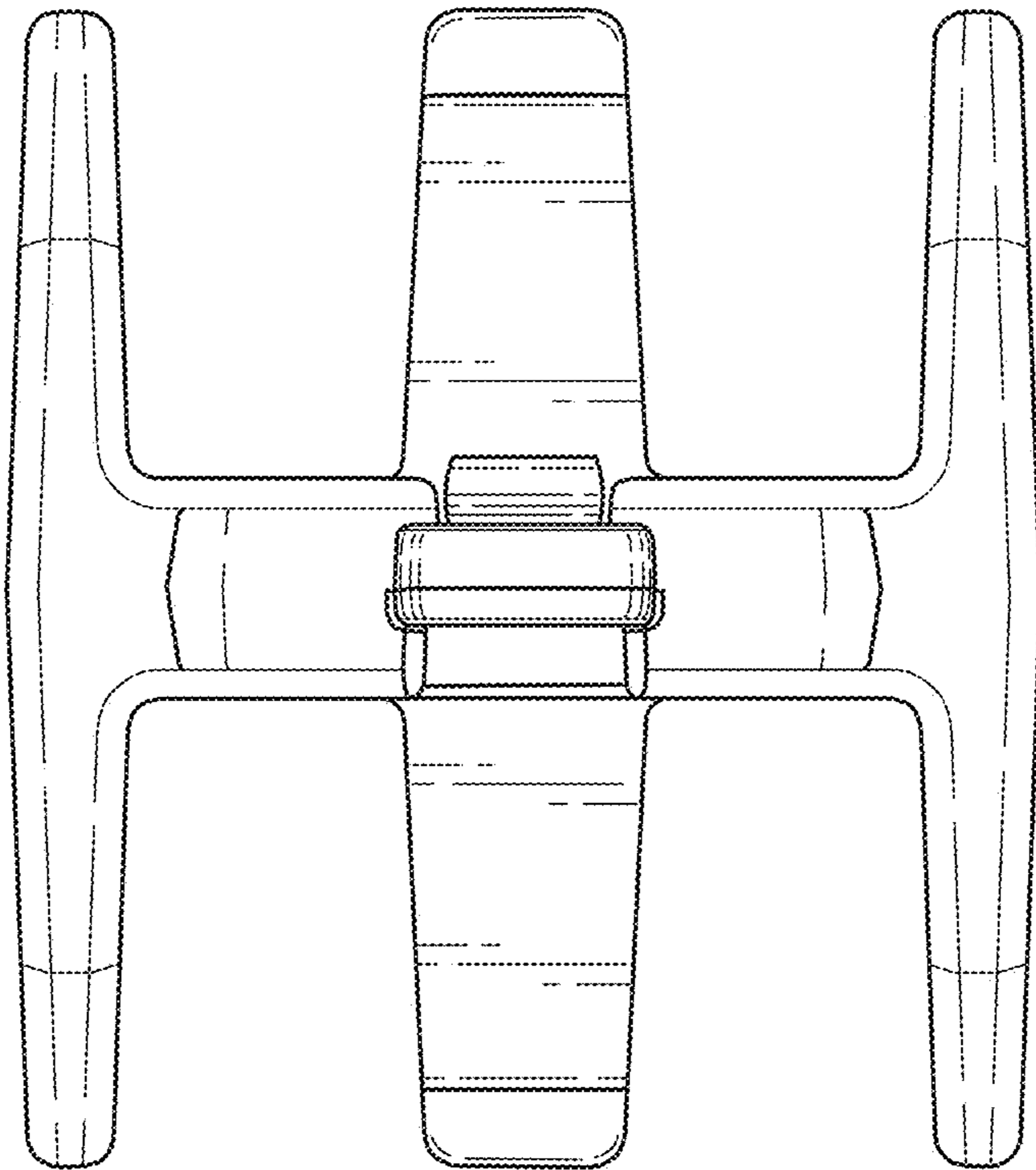


FIG. 6

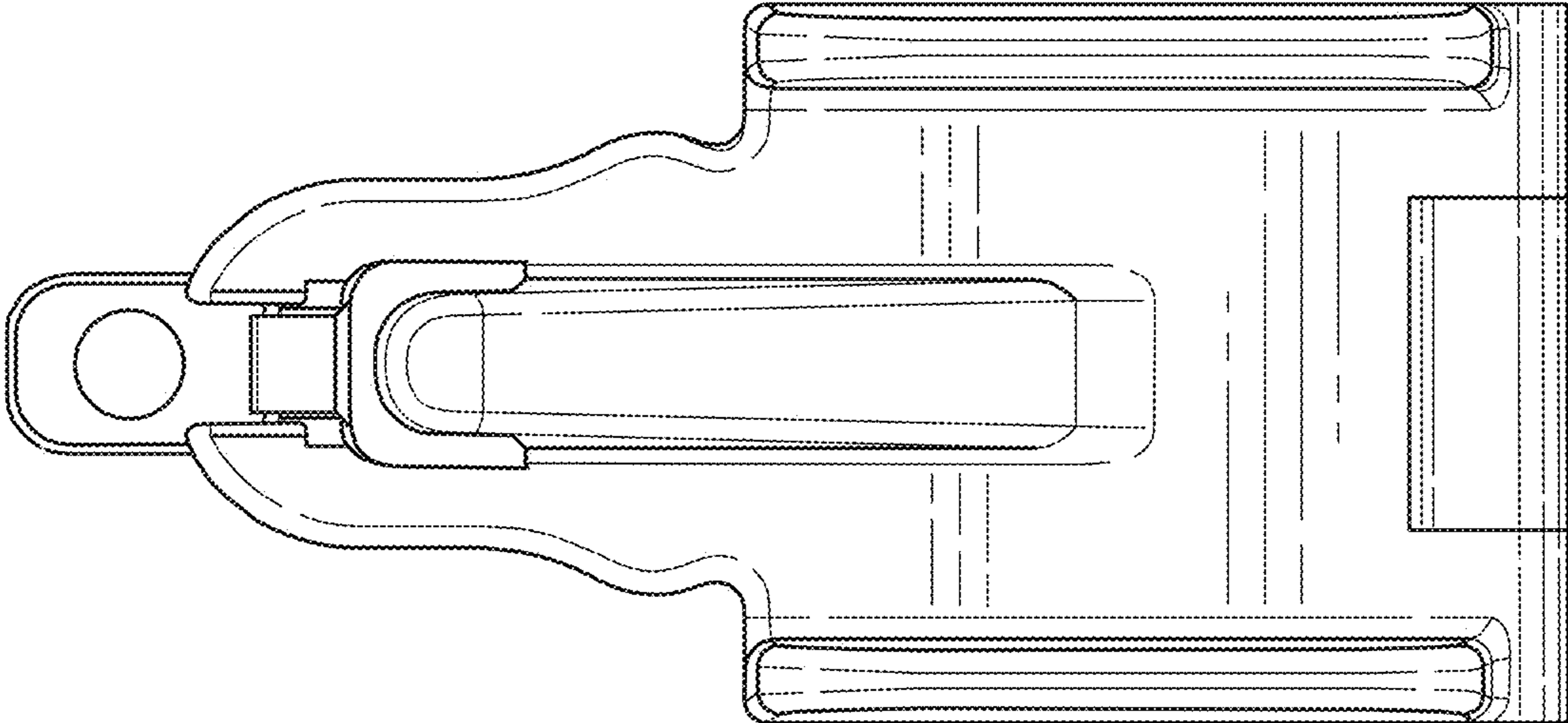


FIG. 7

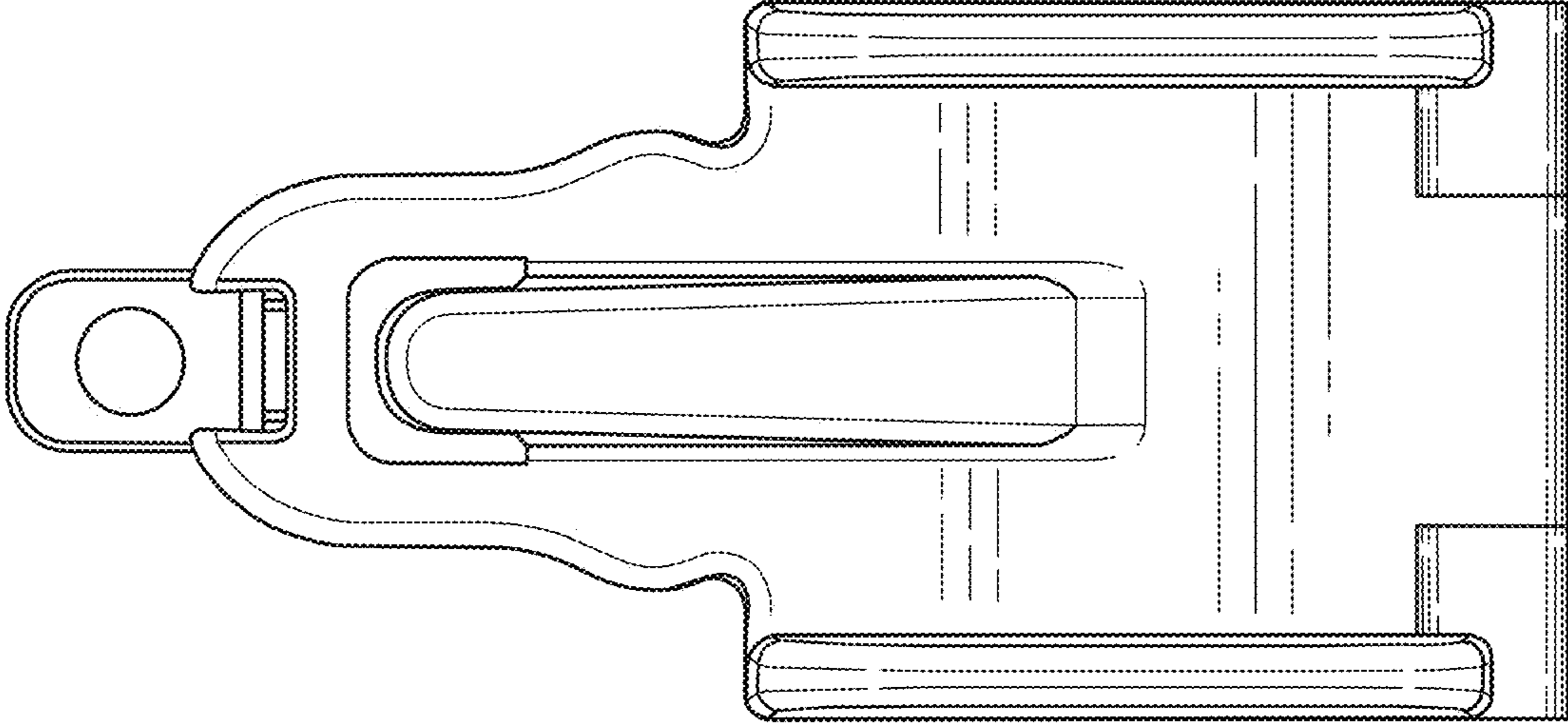


FIG. 8

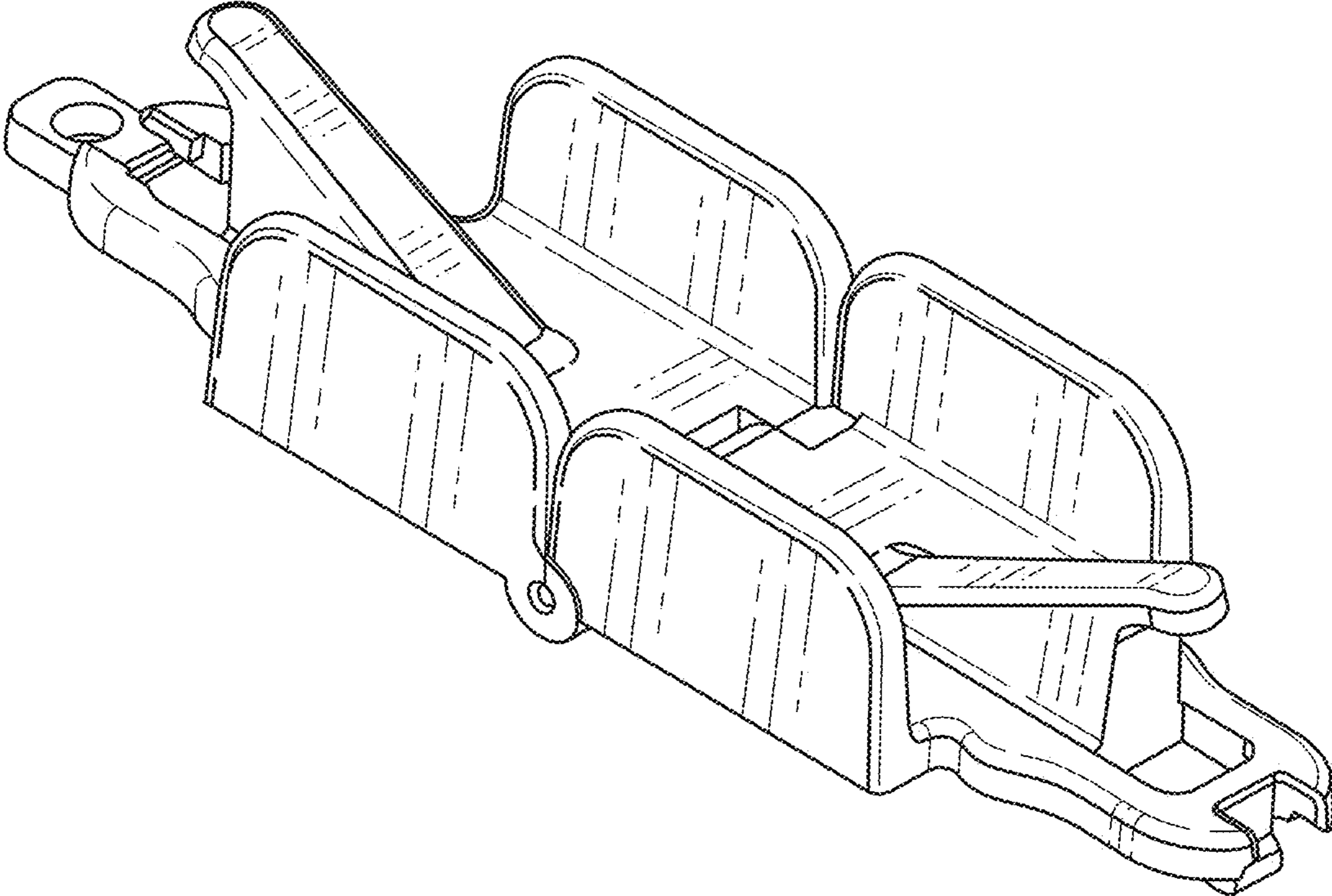


FIG. 9

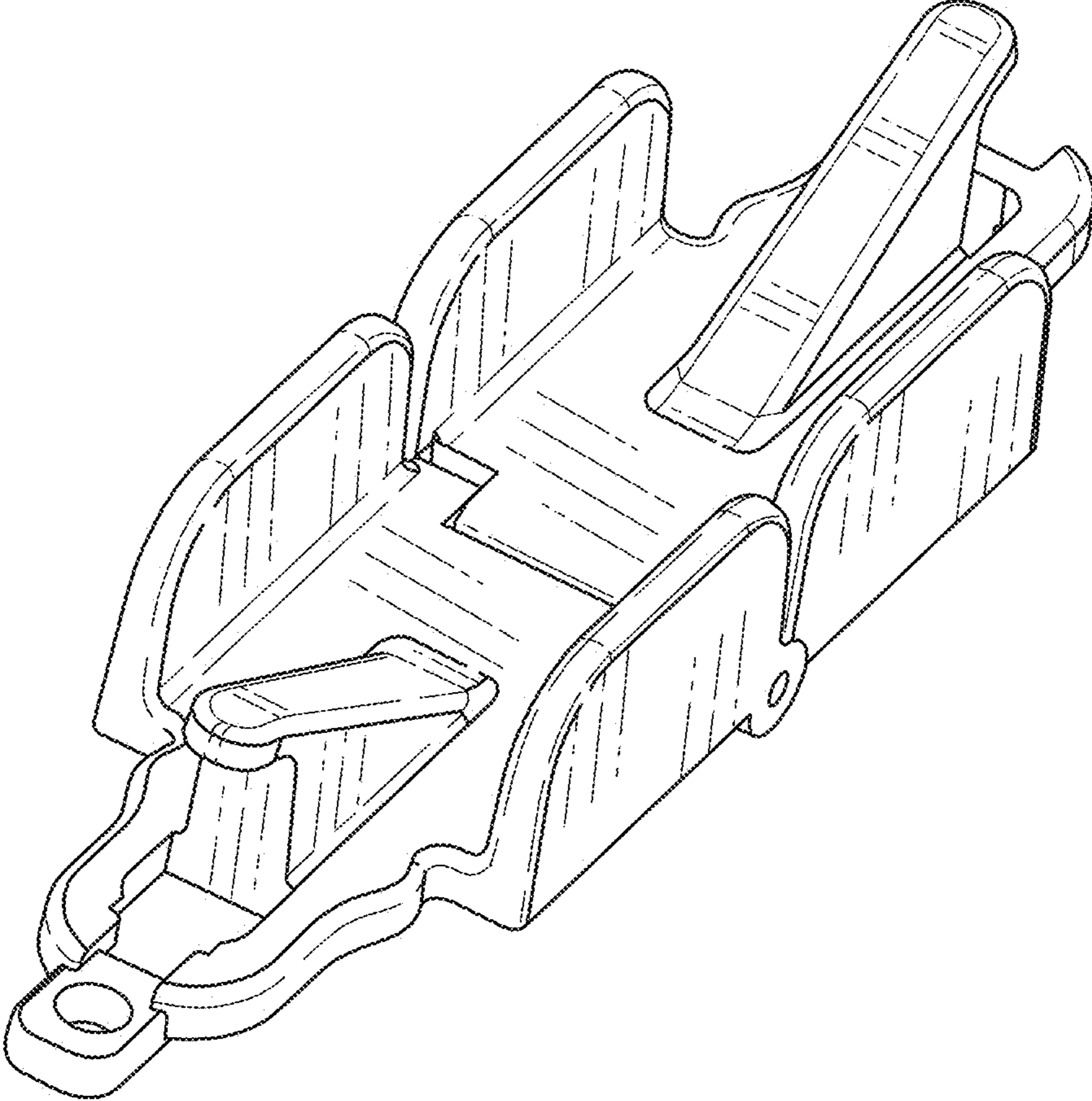


FIG. 10

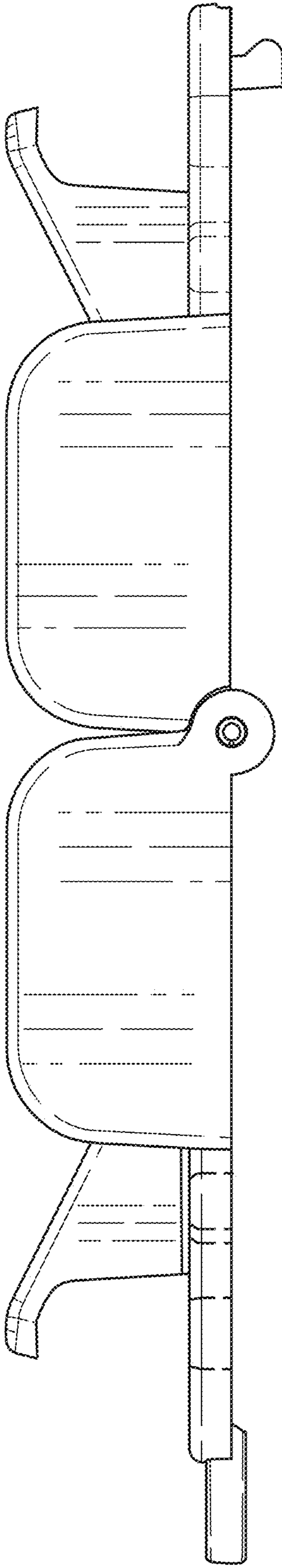


FIG. 11

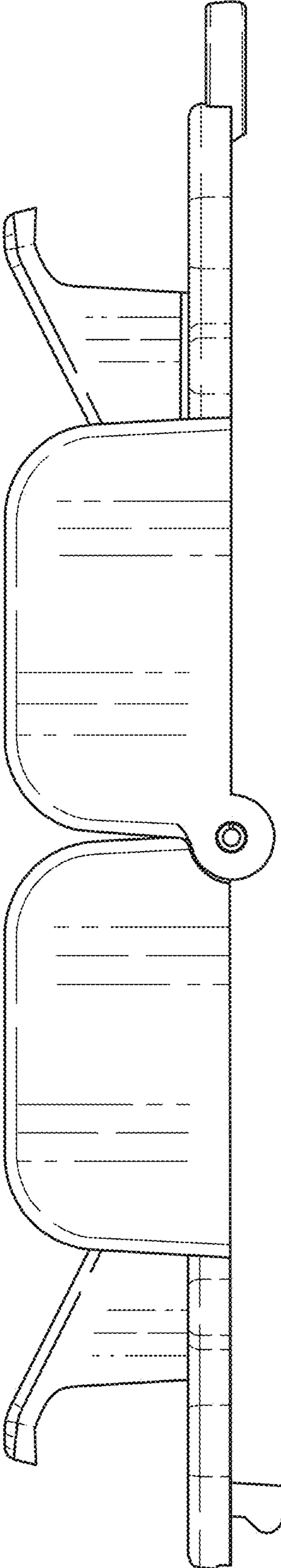


FIG. 12

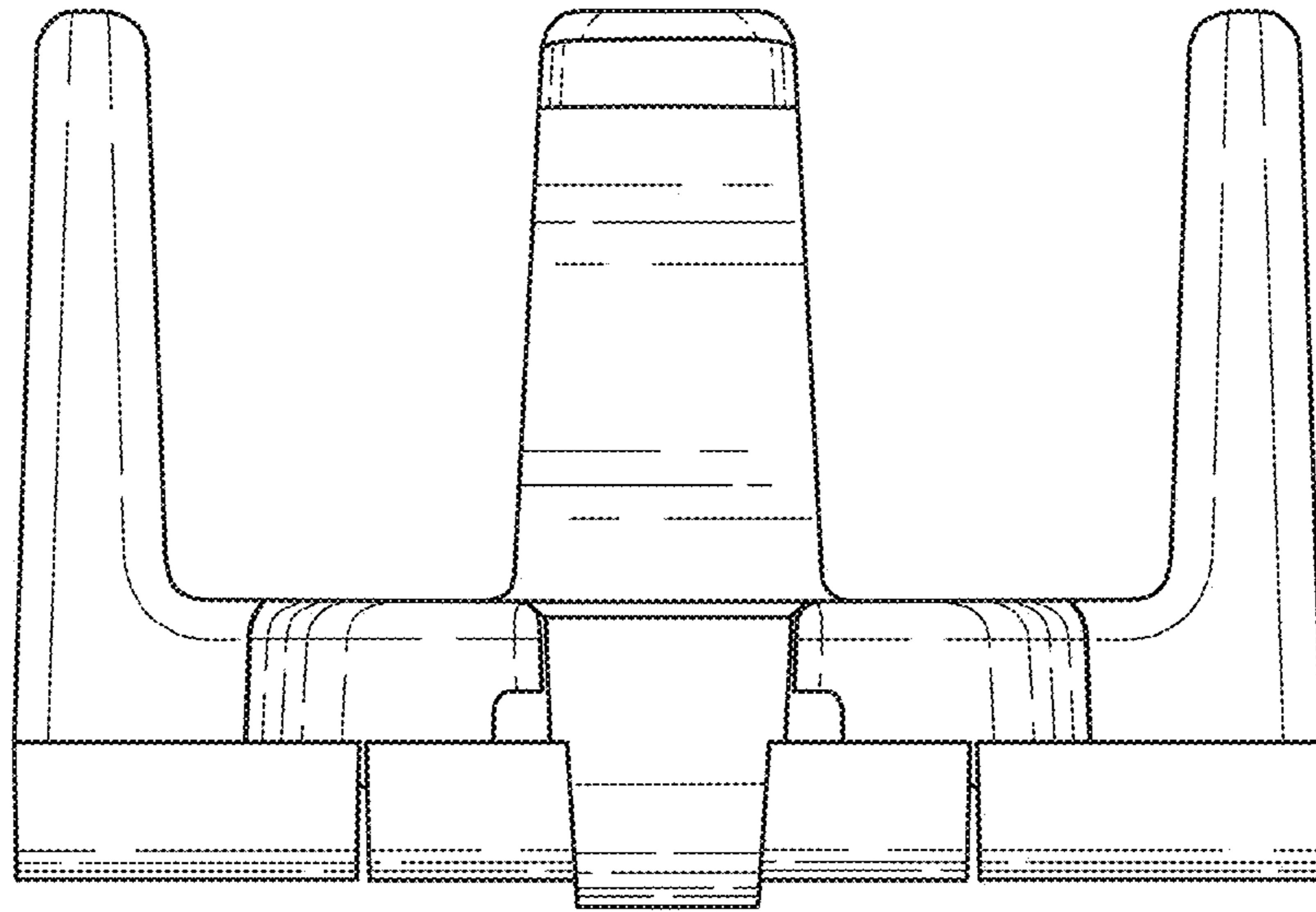


FIG. 13

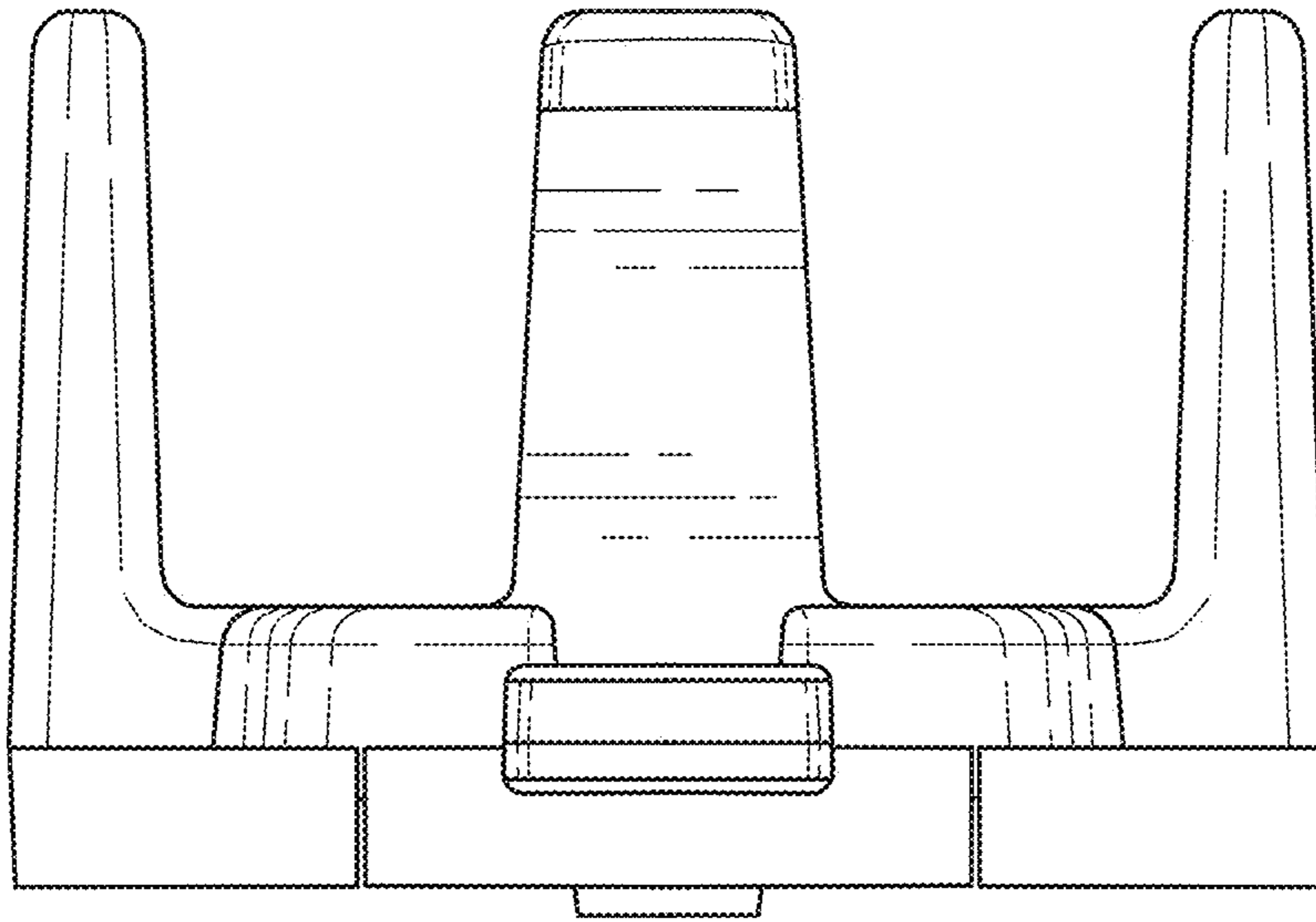


FIG. 14

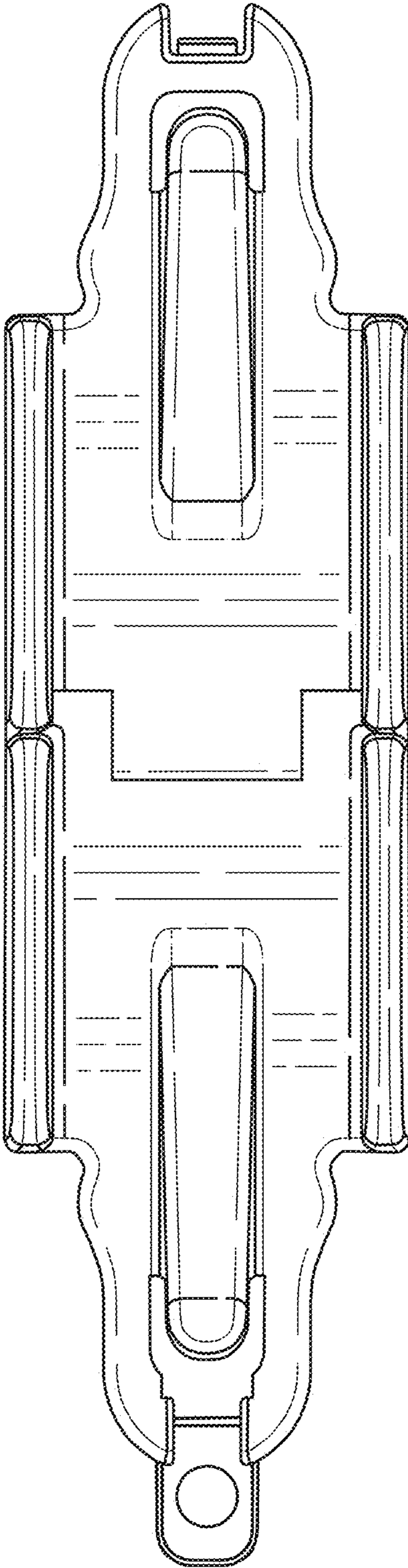


FIG. 15

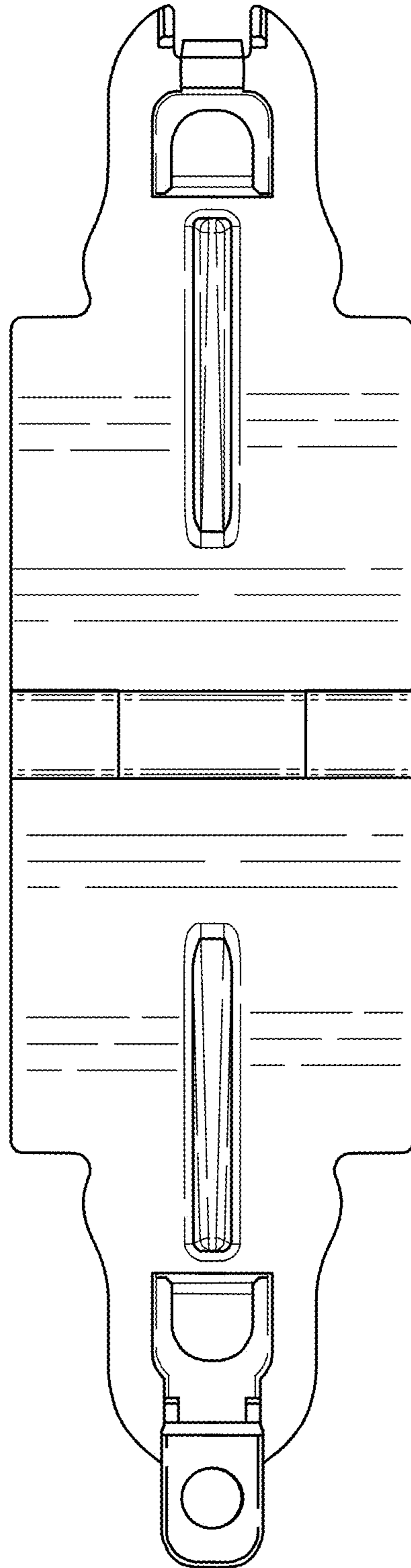


FIG. 16