



US00D955841S

(12) **United States Design Patent**
Khuu et al.

(10) **Patent No.:** **US D955,841 S**

(45) **Date of Patent:** **** Jun. 28, 2022**

- (54) **HAIR TIE HOLDER DEVICE**
- (71) Applicants: **Britney Khuu**, Reno, NV (US); **Sion Gutentag**, Reno, NV (US)
- (72) Inventors: **Britney Khuu**, Reno, NV (US); **Sion Gutentag**, Reno, NV (US)
- (73) Assignee: **Hair Tie Hub LLC**, Las Vegas, NV (US)
- (**) Term: **15 Years**
- (21) Appl. No.: **29/714,923**
- (22) Filed: **Nov. 26, 2019**
- (51) **LOC (13) Cl.** **08-05**
- (52) **U.S. Cl.**
USPC **D8/73**
- (58) **Field of Classification Search**
USPC D8/71-74, 394-399, 59; 248/62, 63, 72, 248/74.1, 689, 124.2; 81/487; 269/3, 4, 269/6, 143, 165, 240, 243, 246-249, 269/254 R, 147-149; 29/256, 257, 276; 408/103, 104-109
CPC B25B 1/00; B25B 5/00
See application file for complete search history.

- D675,087 S * 1/2013 Gary D8/395
- D675,312 S * 1/2013 Zhu D23/411
- D770,885 S * 11/2016 Miros D8/382
- D804,942 S * 12/2017 Toll D8/396
- D829,090 S * 9/2018 Toll D8/396
- D832,070 S * 10/2018 Hoang D8/71
- 10,597,250 B2 * 3/2020 Elliott B65H 35/0086
- D909,193 S * 2/2021 Canavarro D8/394
- D909,194 S * 2/2021 Felt D8/395

* cited by examiner

Primary Examiner — David G Muller

(74) *Attorney, Agent, or Firm* — Kilpatrick Townsend Stockton LLP

(57) **CLAIM**

The ornamental design for a hair tie holder device, as shown and described.

DESCRIPTION

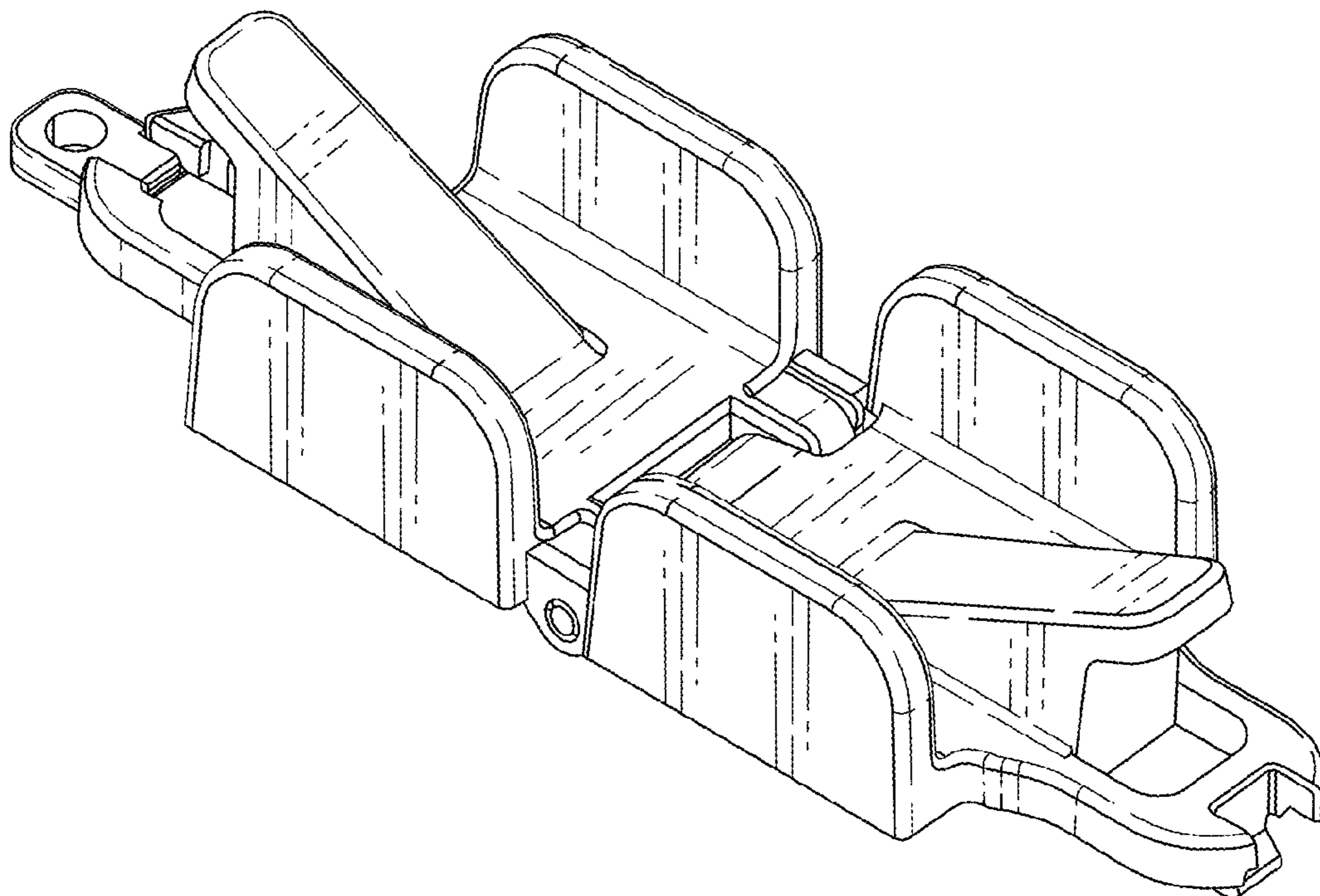
FIG. 1 is a front perspective top view of a hair tie holder device showing our new design in an open configuration; FIG. 2 is a rear perspective top view thereof; FIG. 3 is a front perspective underside view thereof; FIG. 4 is a rear perspective underside view thereof; FIG. 5 is a left side elevational view thereof; FIG. 6 is a right side elevational view thereof; FIG. 7 is an underside view thereof; FIG. 8 is a top view thereof; FIG. 9 is a front elevational view thereof; FIG. 10 is a rear elevational view thereof; FIG. 11 is a front perspective top view of the hair tie holder device of FIG. 1 in a closed configuration; and, FIG. 12 is a front perspective underside view of the hair tie holder device of FIG. 1 in the closed configuration.

1 Claim, 8 Drawing Sheets

(56) **References Cited**

U.S. PATENT DOCUMENTS

- 4,264,047 A * 4/1981 Nelson F16L 3/12 24/339
- D305,611 S * 1/1990 Herzog D8/395
- D393,797 S * 4/1998 Kostigian D32/64
- D438,081 S * 2/2001 Lester D8/71



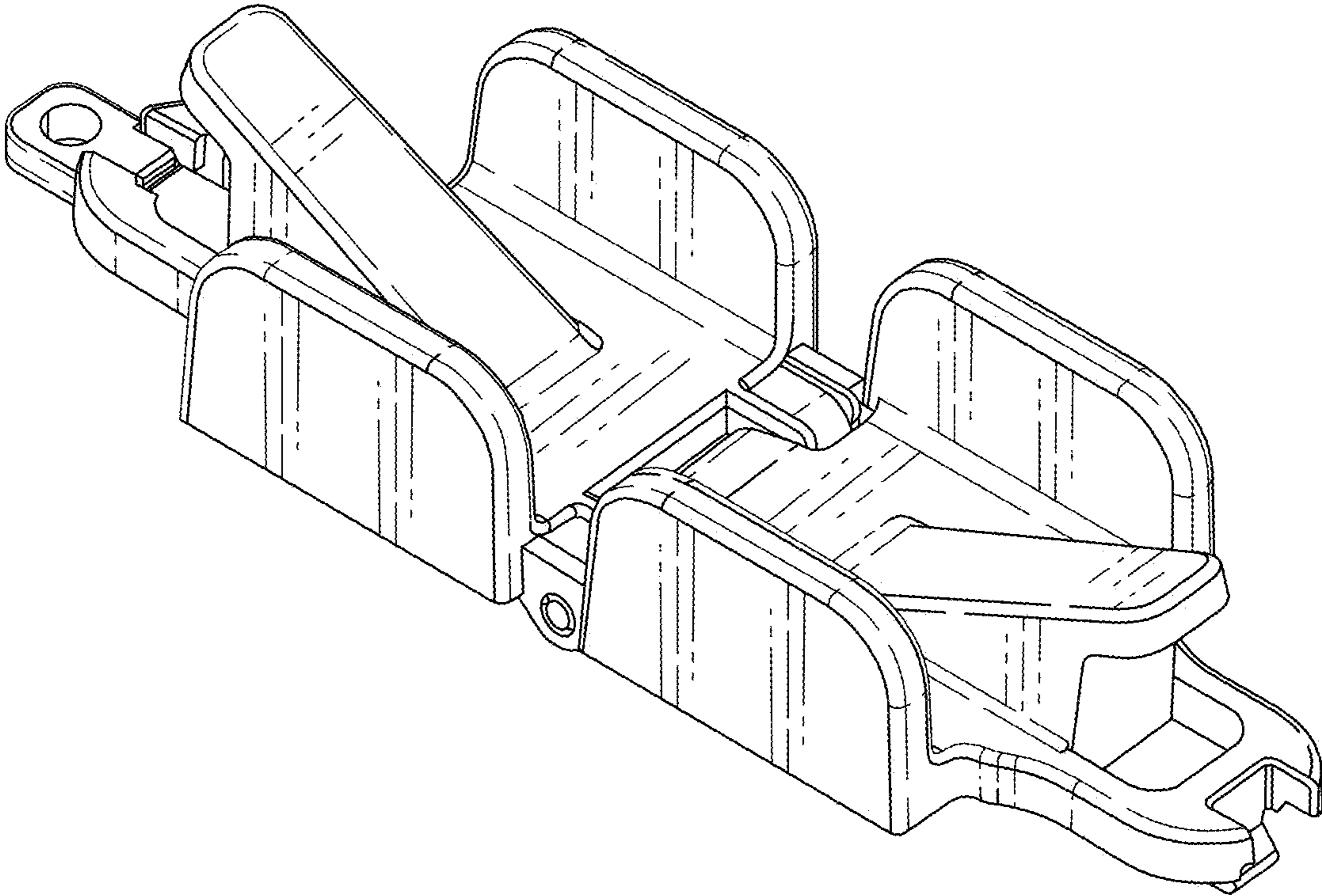


FIG. 1

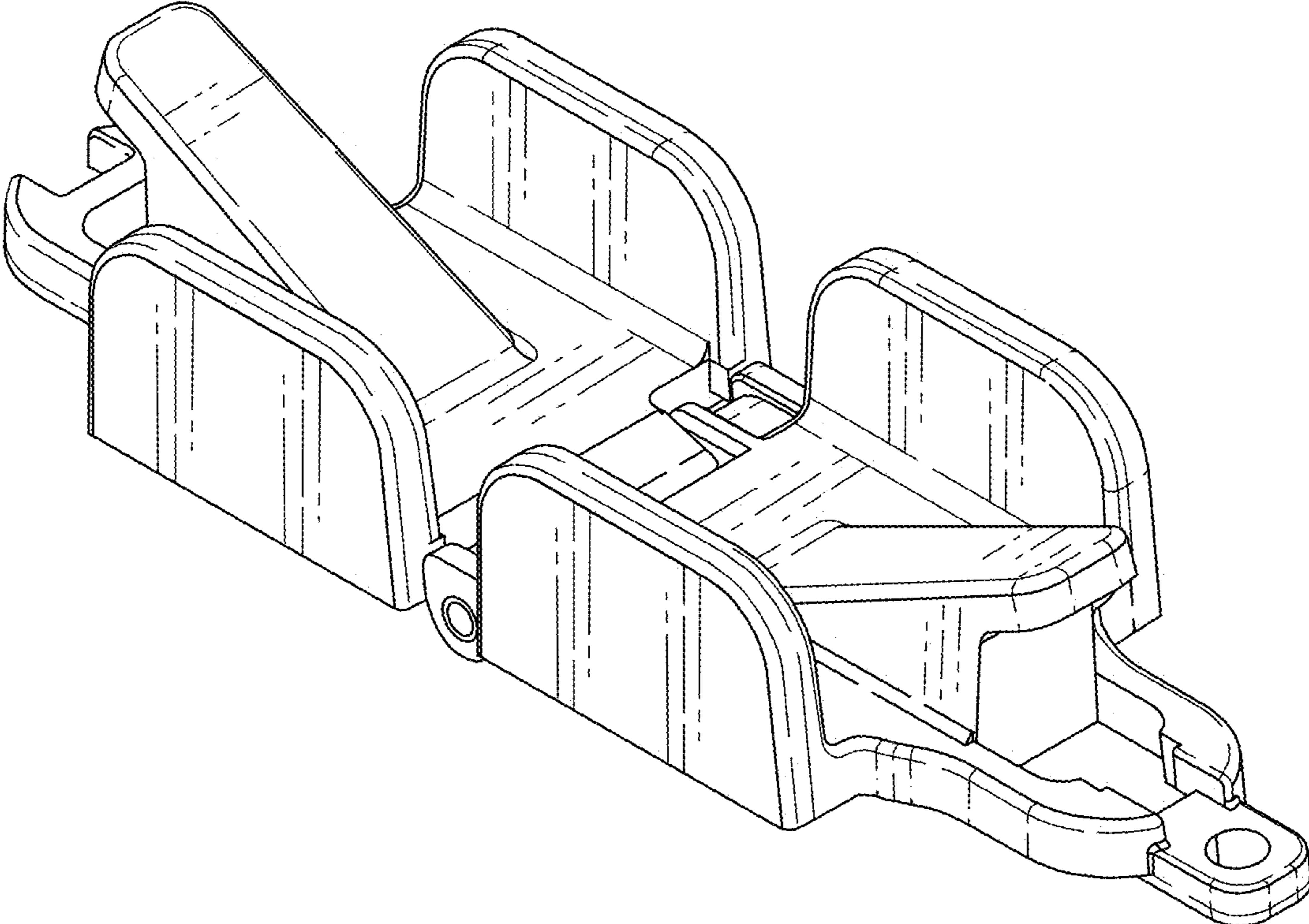


FIG. 2

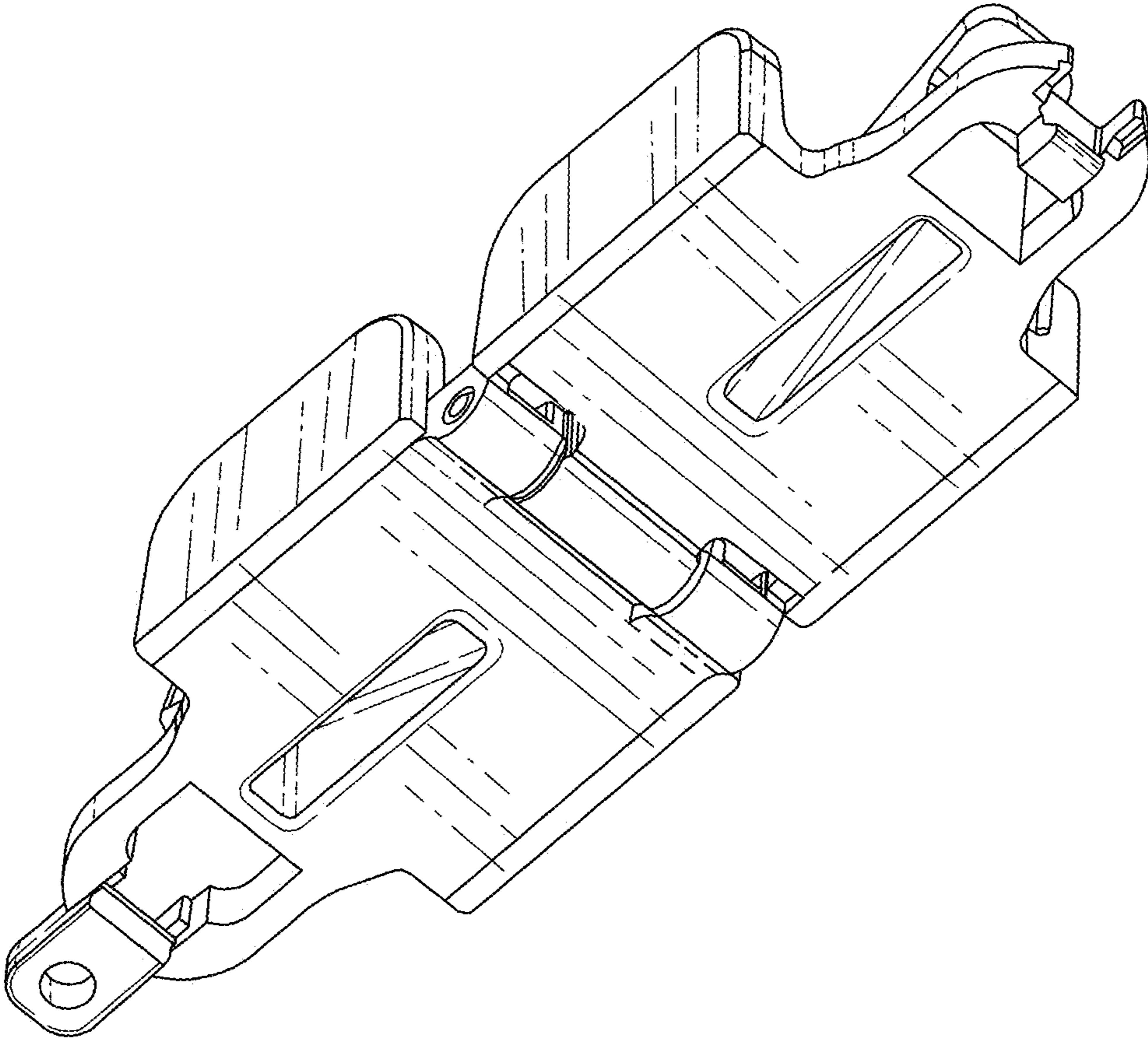


FIG. 3

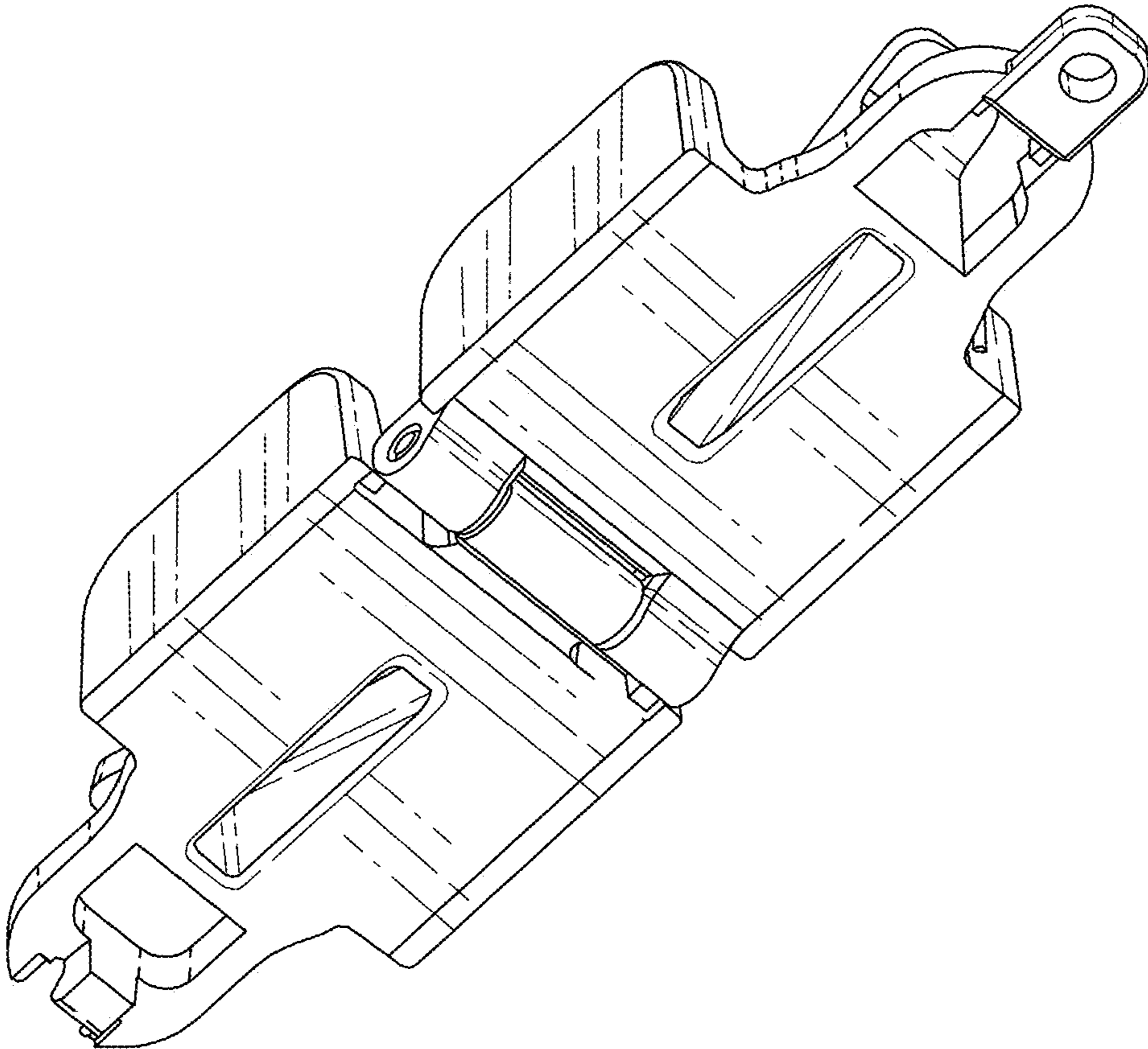


FIG. 4

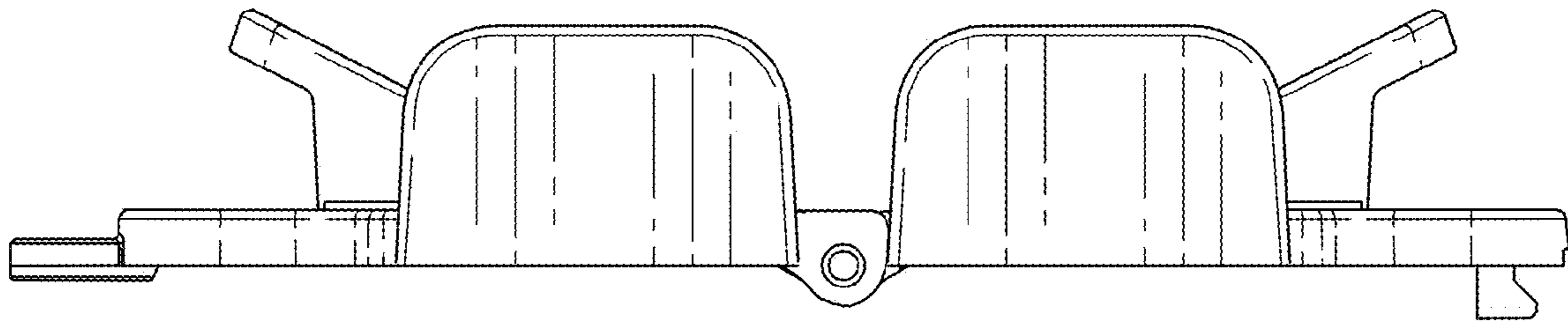


FIG. 5

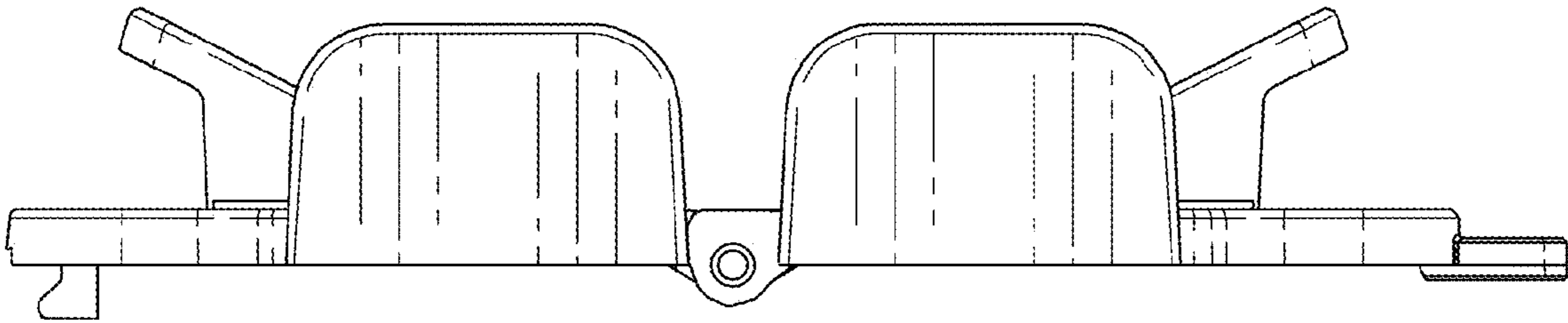


FIG. 6

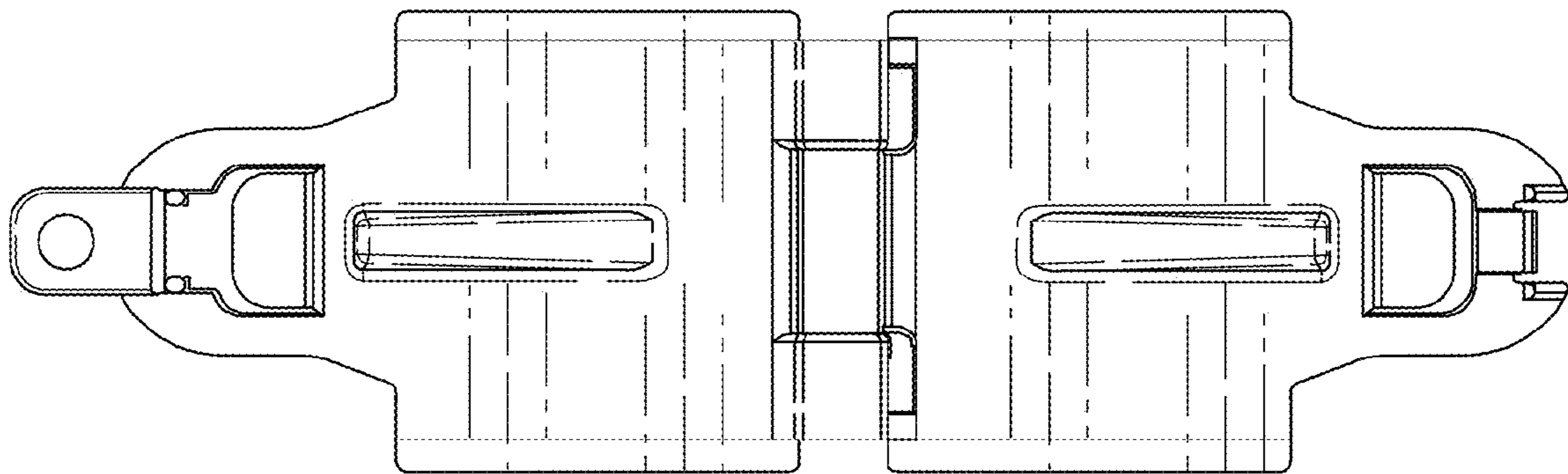


FIG. 7

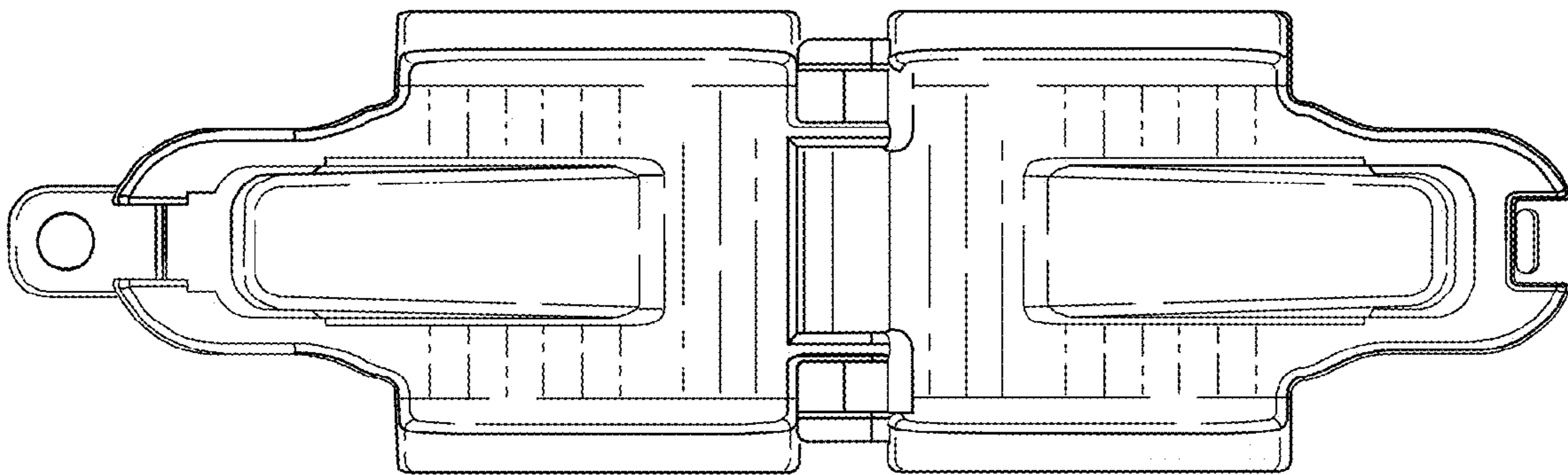


FIG. 8

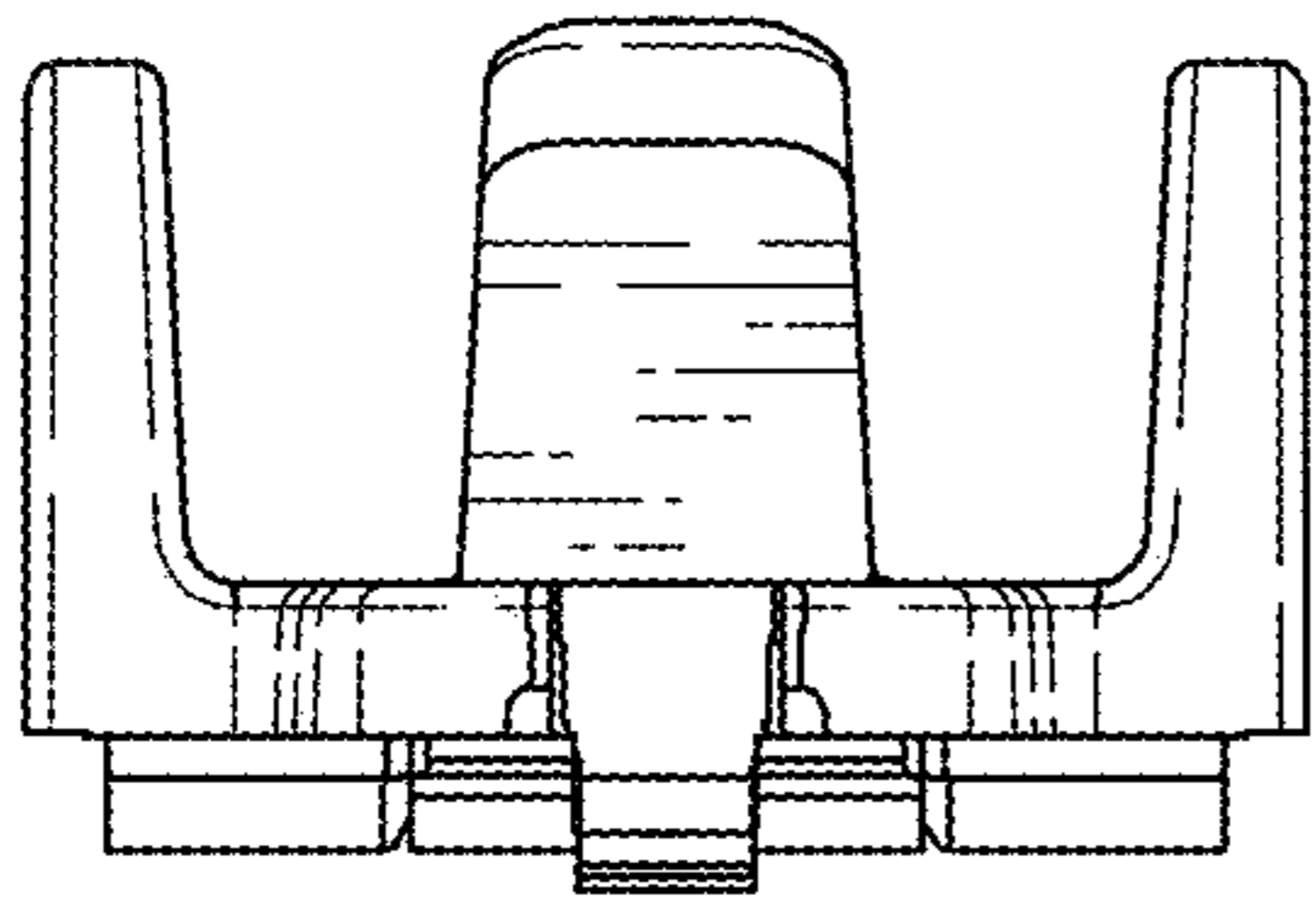


FIG. 9

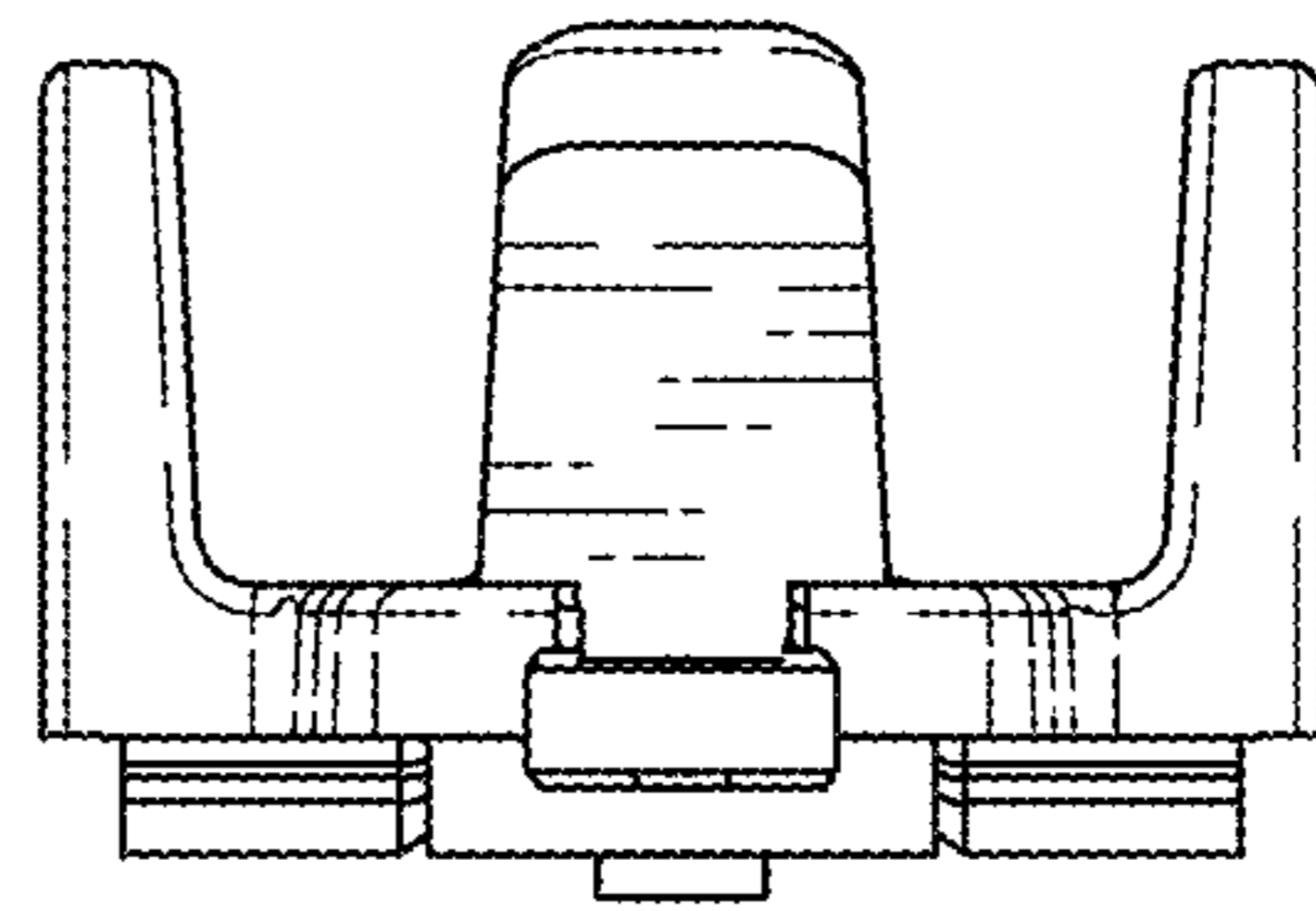


FIG. 10

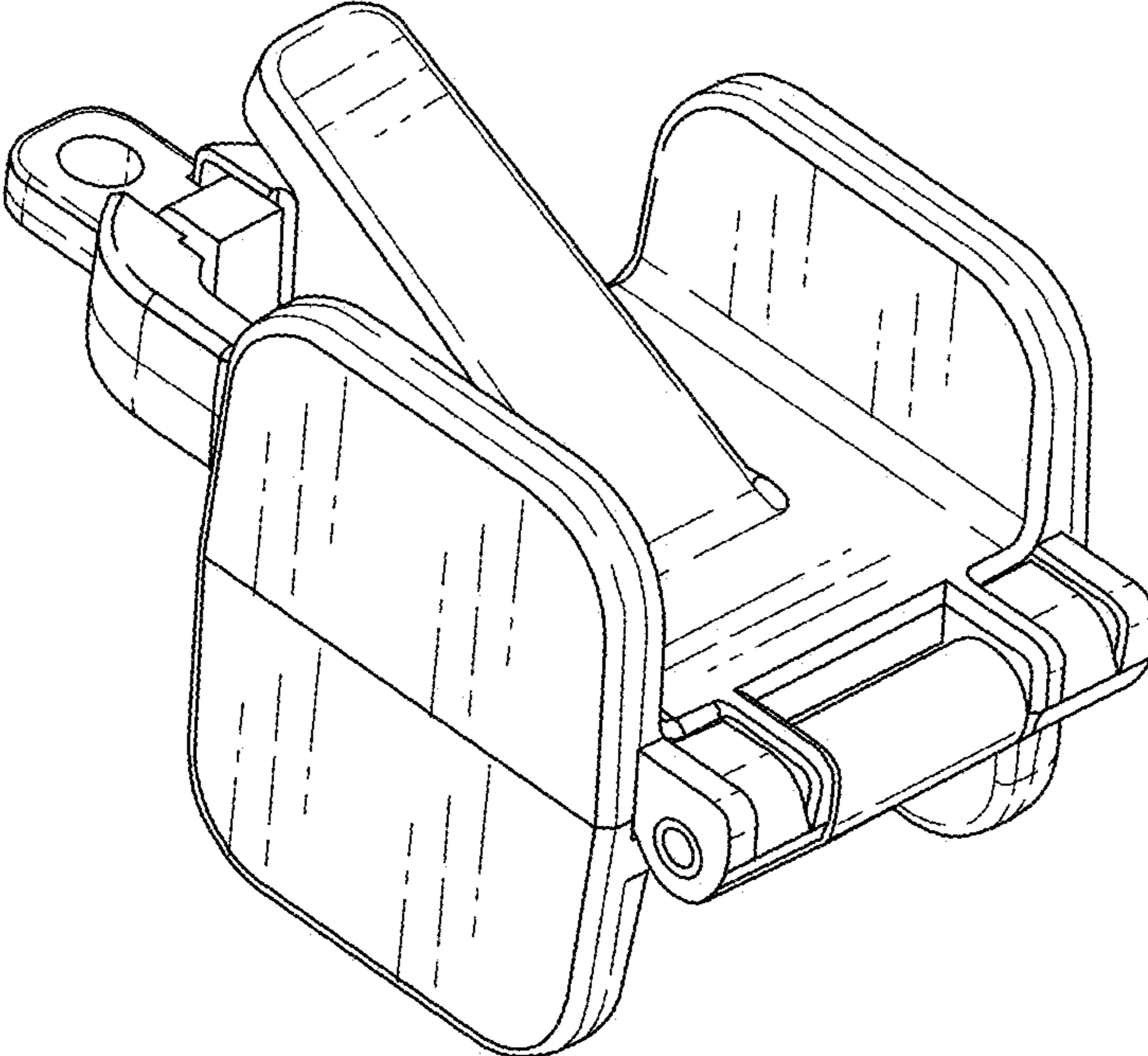


FIG. 11

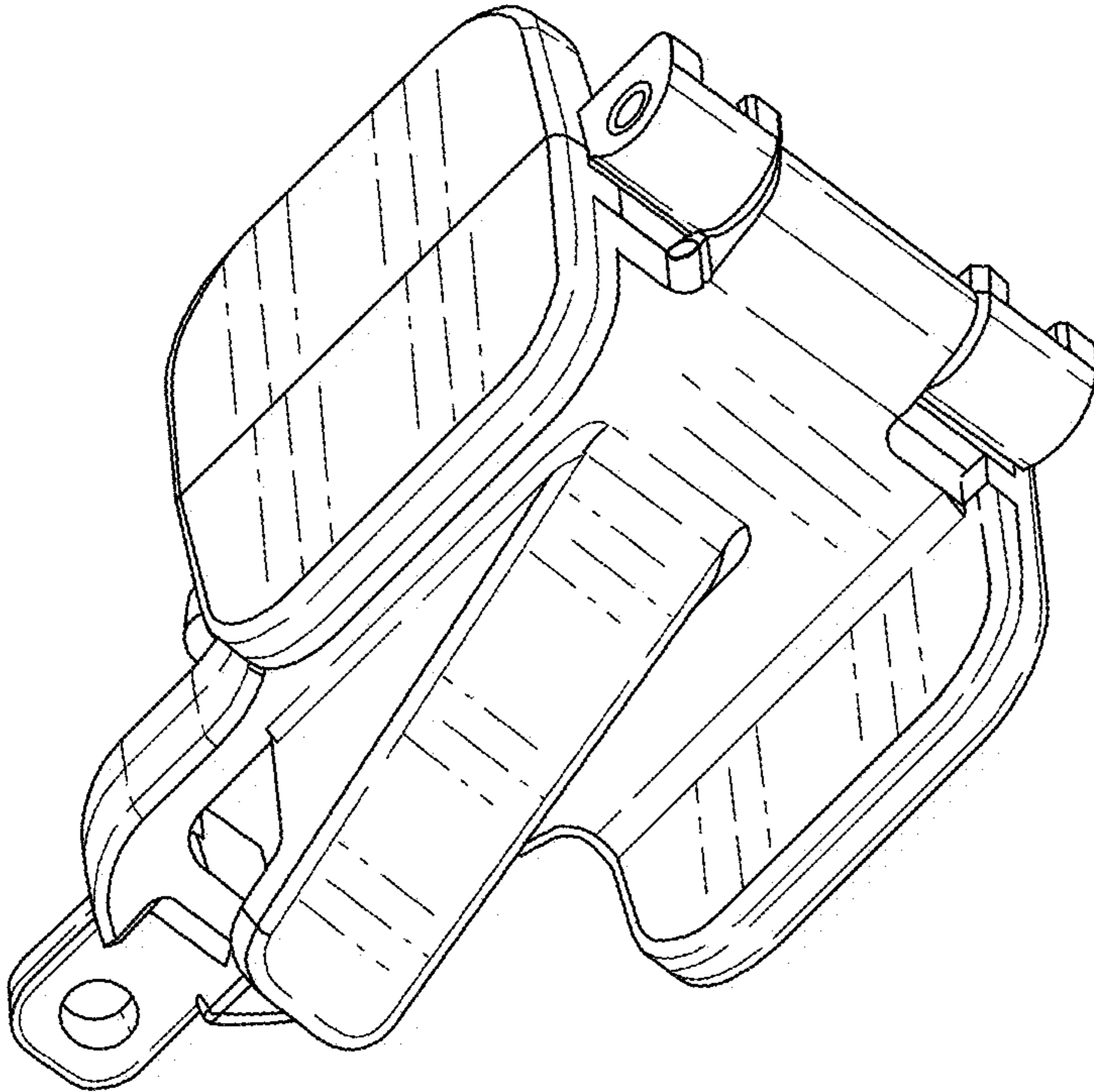


FIG. 12