



US00D955838S

(12) **United States Design Patent**
Paunovic

(10) **Patent No.:** **US D955,838 S**
(45) **Date of Patent:** **** Jun. 28, 2022**

- (54) **DRILL DRIVER**
- (71) Applicant: **Würth International AG**, Chur (CH)
- (72) Inventor: **Dejan Paunovic**, Künzelsau (DE)
- (73) Assignee: **WÜRTH INTERNATIONAL AG**,
Chur (CH)
- (**) Term: **15 Years**
- (21) Appl. No.: **29/801,515**
- (22) Filed: **Jul. 29, 2021**

6,308,378 B1 *	10/2001	Mooty	B23D 51/01 408/124
D482,253 S *	11/2003	Cooper	D8/68
D501,384 S *	2/2005	Wright	D8/68
D539,110 S *	3/2007	Okuda	D8/68
D543,081 S *	5/2007	Watson	D8/68
D559,061 S *	1/2008	Concari	D8/68
D577,272 S *	9/2008	Murray	D8/68
D587,544 S *	3/2009	Lopano	D8/68
D589,317 S *	3/2009	Okuda	D8/68
D608,173 S *	1/2010	Ng	D8/68
D839,707 S *	2/2019	Waldron	D8/68
D843,804 S *	3/2019	Croghan	D8/68

(Continued)

Related U.S. Application Data

- (62) Division of application No. 35/509,767, filed on Apr. 7, 2020 (U.S. filing date under 35 U.S.C. 384), and having an international filing date of Apr. 7, 2020, now Pat. No. Des. 934,042.

Foreign Application Priority Data

- (30) Oct. 9, 2019 (EM) 007 002 134
- (51) **LOC (13) Cl.** **08-05**
- (52) **U.S. Cl.**
USPC **D8/68**
- (58) **Field of Classification Search**
USPC D8/61, 67, 68
CPC B62D 23/005; B62D 29/00; B62D 29/043;
B62D 31/00; B62D 33/046; B62D 35/00;
B62D 35/001; B60Q 1/0005
See application file for complete search history.

References Cited

U.S. PATENT DOCUMENTS

D359,215 S *	6/1995	Zurwelle	D8/68
D402,871 S *	12/1998	Glowers	D8/68
D435,414 S *	12/2000	Etter	D8/68
D437,759 S *	2/2001	Breit	D8/68

OTHER PUBLICATIONS

“Top 10 Best Cordless Drills.” Top Best Guides., May 2022 [online], [retrieved on May 3, 2022]. Retrieved from the Internet <URL: <https://www.topbestguides.com/best-cordless-drill-reviews>>.*

(Continued)

Primary Examiner — Darlington Ly

(74) *Attorney, Agent, or Firm* — Lucas & Mercanti, LLP; Klaus P. Stoffel

(57) **CLAIM**

The ornamental design for a drill driver, as shown and described.

DESCRIPTION

FIG. 1 is a front elevation view of a drill driver embodying my new design;
FIG. 2 is a rear elevation view thereof;
FIG. 3 is a top plan view thereof;
FIG. 4 is a bottom plan view thereof;
FIG. 5 is a right side elevation view thereof;
FIG. 6 is a left side elevation view thereof; and,
FIG. 7 is a top, front, and right side perspective view thereof.

1 Claim, 7 Drawing Sheets



(56)

References Cited

U.S. PATENT DOCUMENTS

D847,600 S * 5/2019 Waldron D8/68
D898,536 S * 10/2020 Li D8/68
D937,063 S * 11/2021 Kawase D8/68
2002/0096341 A1 * 7/2002 Hagan B25B 23/14
173/217
2002/0096343 A1 * 7/2002 Potter B25F 5/02
173/178
2005/0061524 A1 * 3/2005 Hagan B25F 5/02
173/217
2006/0096771 A1 * 5/2006 Brotto B25B 21/00
173/217

OTHER PUBLICATIONS

Walter Wilbur. "10 Best Drill Drivers—Our Top Picks and Reviews." Best Power Hand Tools., May 18, 2021 [online], [retrieved on May 3, 2022]. Retrieved from the Internet <URL: <https://bestpowerhandtools.com/guide/best-drill-drivers/>>.*
"Cordless drill screwdriver BS 18-A Compact." Wurth., Mar. 28, 2021 [online], [retrieved on May 3, 2022]. Retrieved from the Internet <URL: <https://media.wuerth.com/stmedia/wuerth/documents/documents/std.lang.all/30219394.pdf>>.*

* cited by examiner

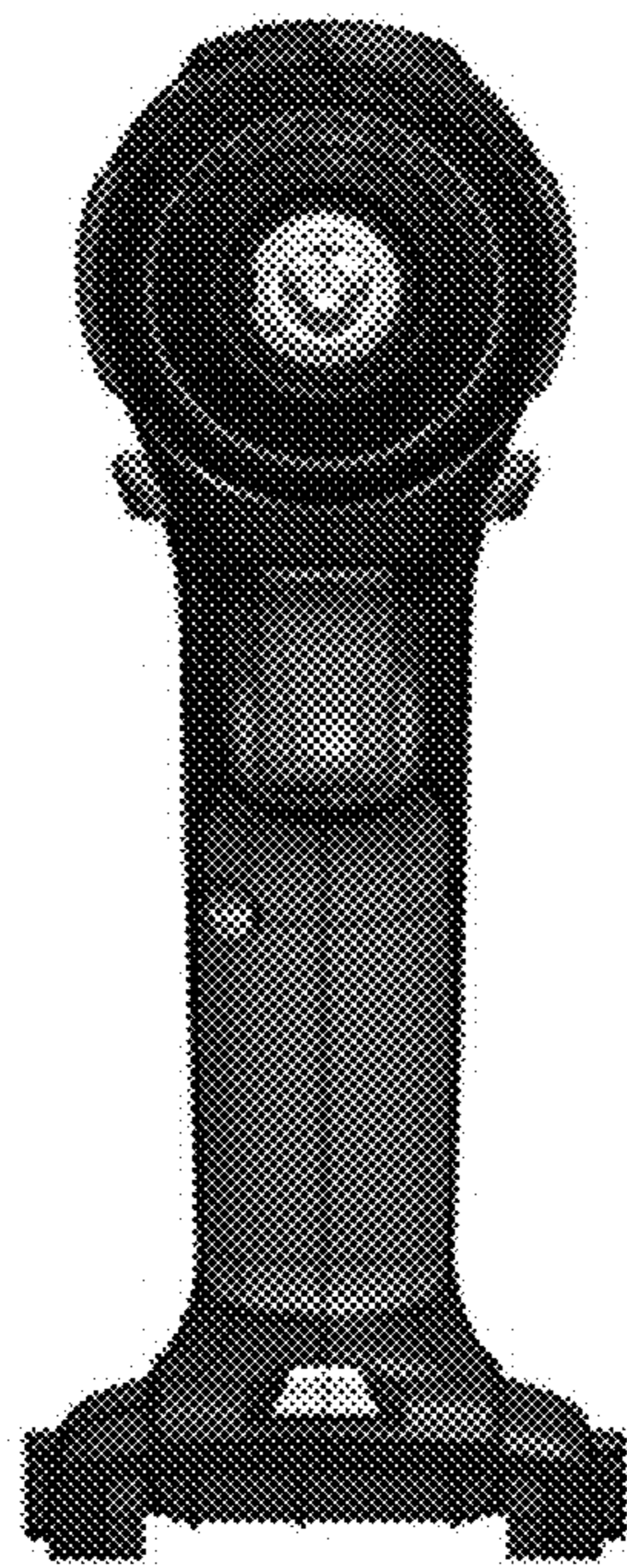


Fig. 1

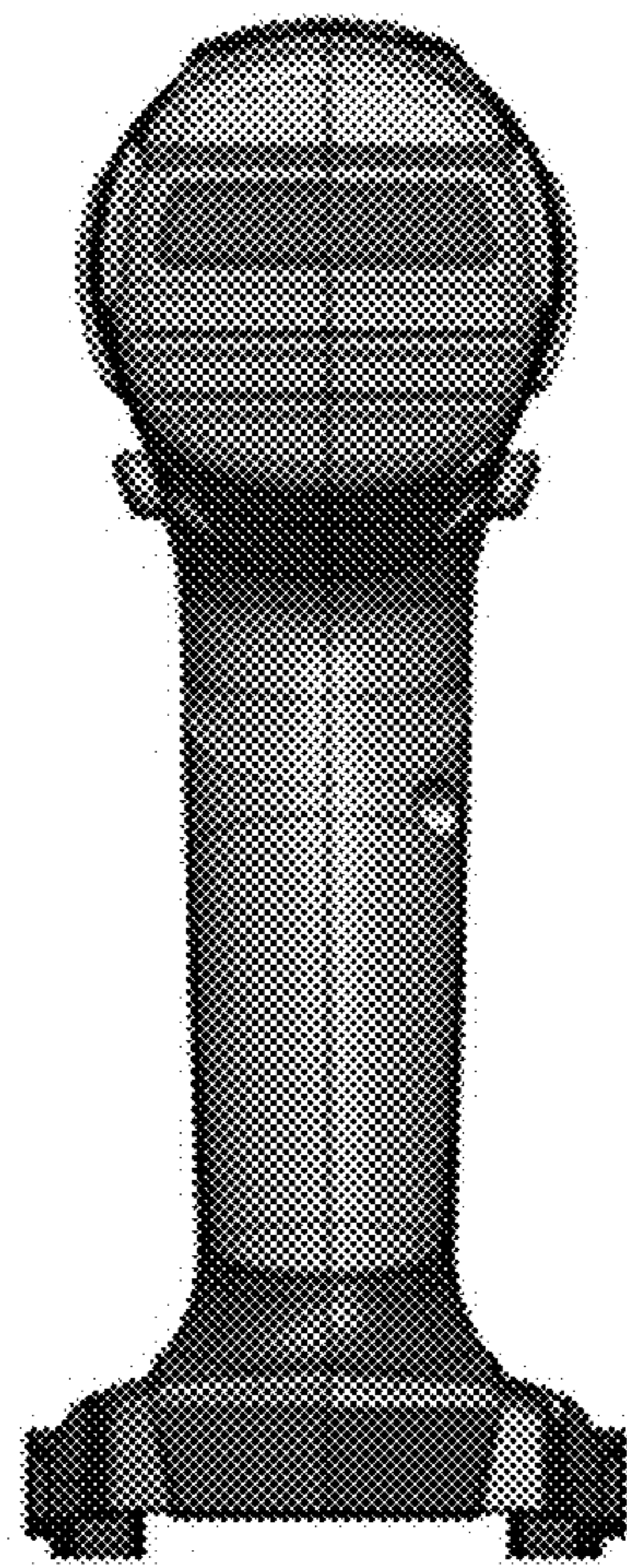


Fig. 2

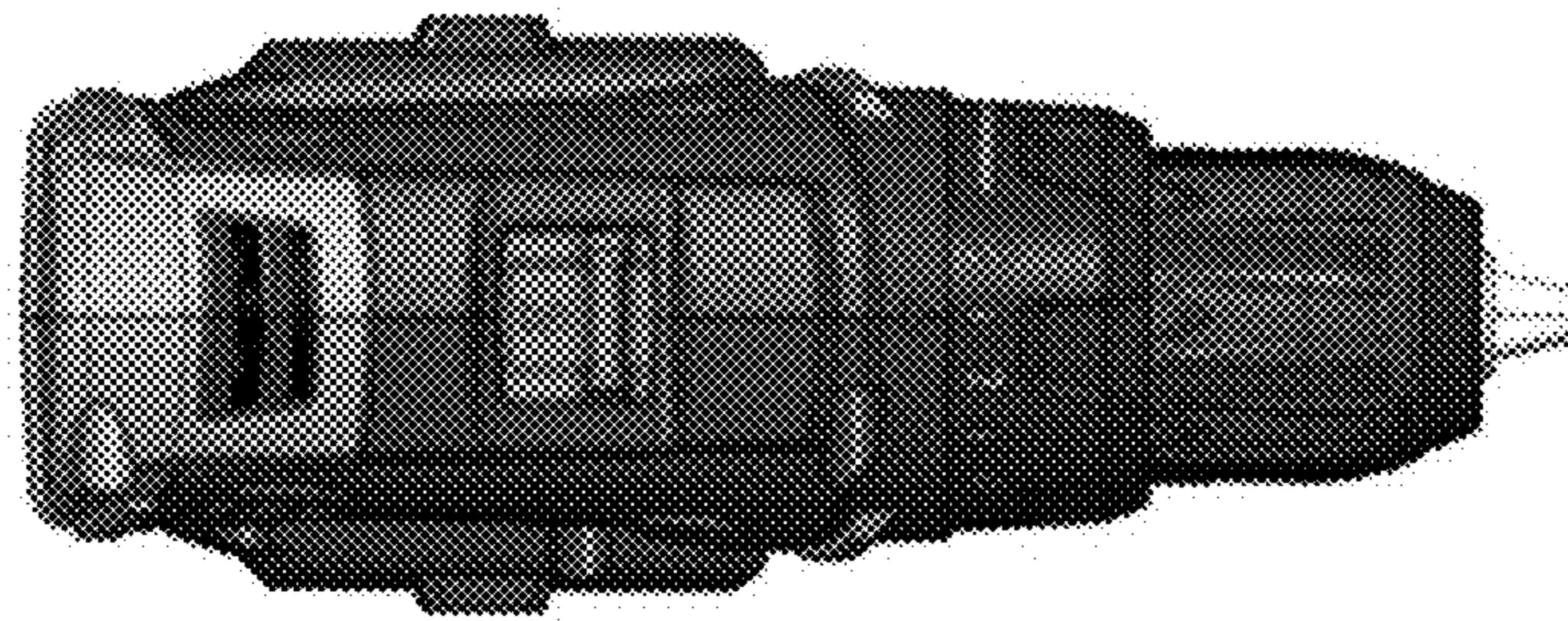


Fig. 3

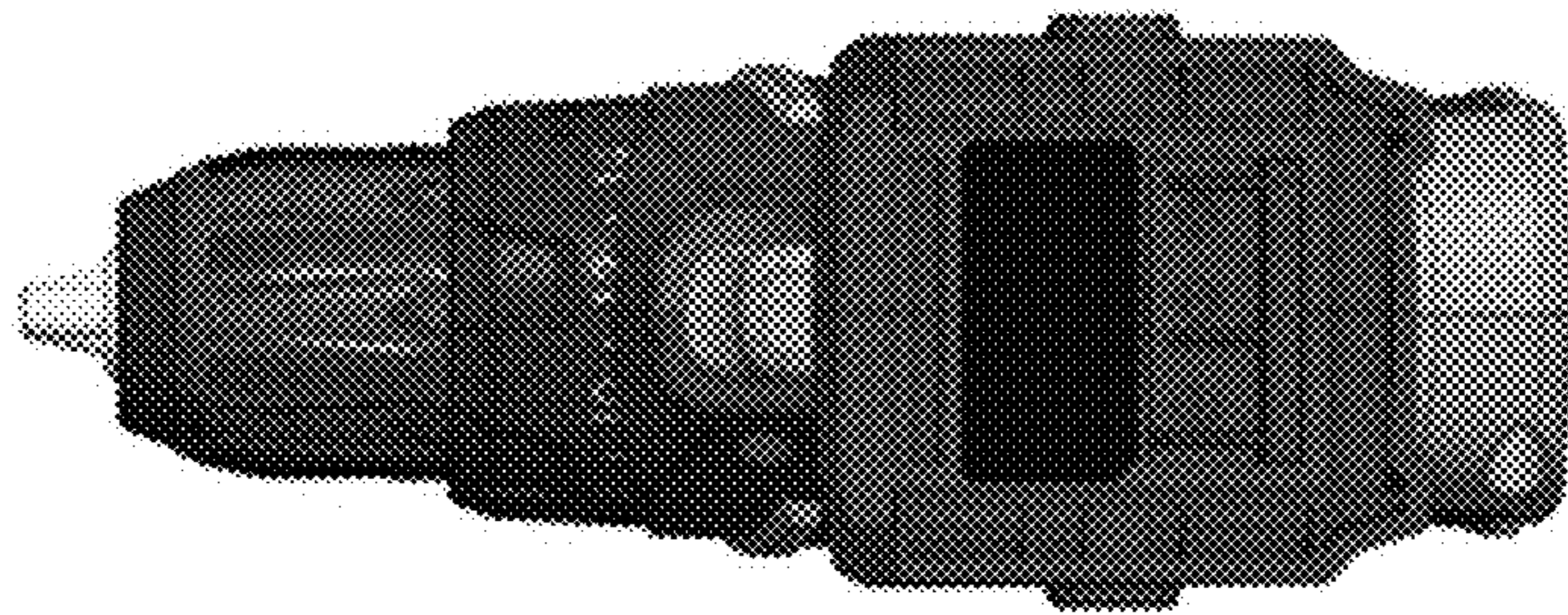


Fig. 4



Fig. 5



Fig. 6



Fig. 7