



US00D955836S

(12) **United States Design Patent**
McKay

(10) **Patent No.:** **US D955,836 S**

(45) **Date of Patent:** **** Jun. 28, 2022**

- (54) **CORNER BEAD ROLLER TOOL**
- (71) Applicant: **Robert McKay**, Aldergrove (CA)
- (72) Inventor: **Robert McKay**, Aldergrove (CA)
- (**) Term: **15 Years**
- (21) Appl. No.: **29/750,643**
- (22) Filed: **Sep. 15, 2020**
- (51) **LOC (13) Cl.** **08-05**
- (52) **U.S. Cl.**
USPC **D8/45; D8/51**
- (58) **Field of Classification Search**
USPC D8/14, 45, 51, 375; D4/122, 199
CPC E04F 21/1655; E04F 21/08;
Y10T 156/1788; Y10T 156/18
See application file for complete search history.

D655,919 S *	3/2012	Daley	D4/114
D728,945 S *	5/2015	Neal	D4/122
D802,642 S *	11/2017	Eirich	D15/199
2009/0090471 A1 *	4/2009	Rosso	B44C 7/02 156/579

* cited by examiner

Primary Examiner — Philip S Hyder

(74) *Attorney, Agent, or Firm* — Nicholas Garner; Oyen Wiggs Green & Mutala LLP

(57) **CLAIM**

The ornamental design for a corner bead roller tool, as shown and described.

DESCRIPTION

FIG. 1 is a left side, top, rear perspective view of the corner bead roller tool embodying the design, with fasteners thereof and a pole thereof shown in broken lines and not forming part of the design;

FIG. 2 is a left side elevation view thereof;

FIG. 3 is a right side elevation view thereof;

FIG. 4 is a top plan view thereof;

FIG. 5 is a bottom plan view thereof;

FIG. 6 is a rear elevation view thereof; and,

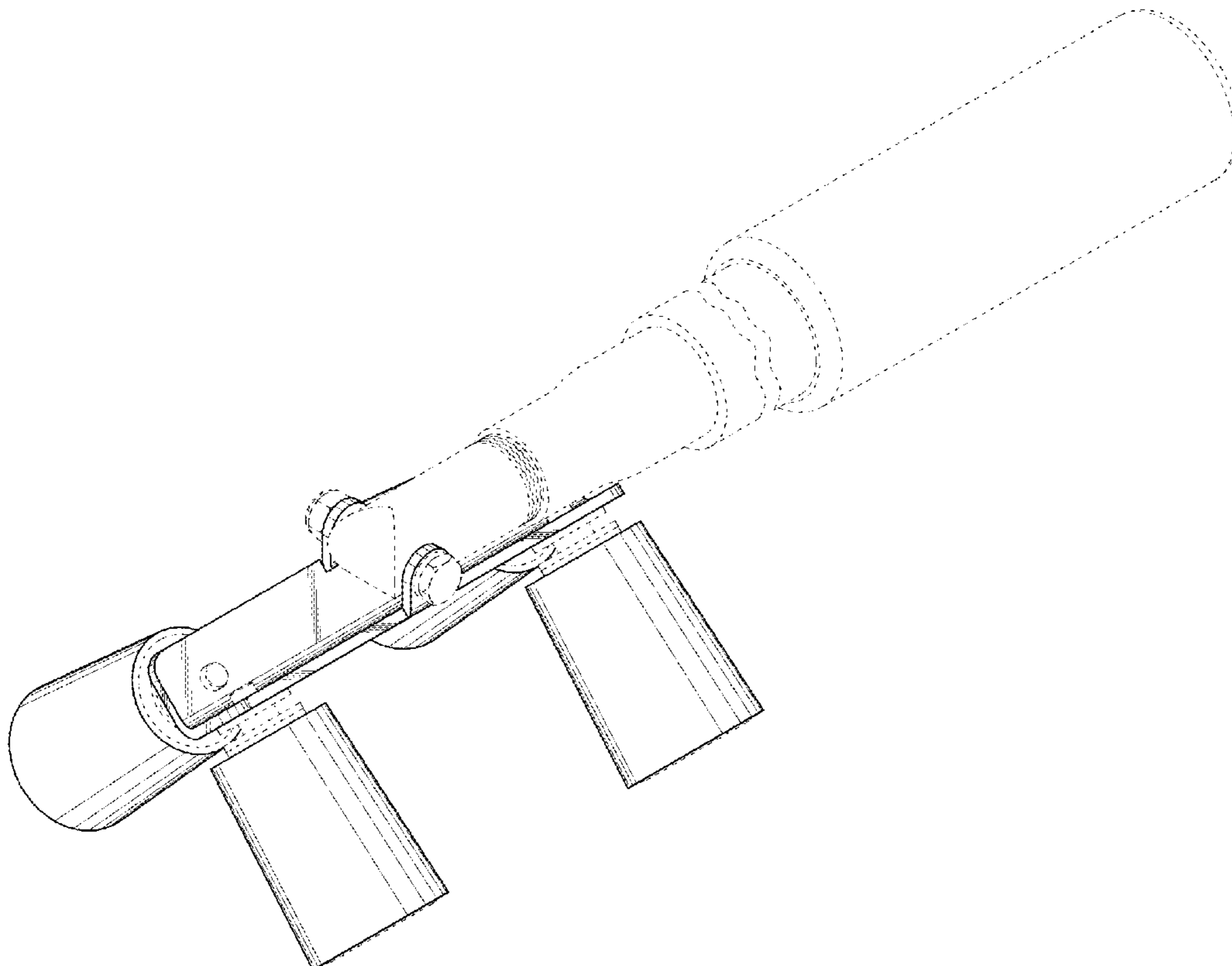
FIG. 7 is a front elevation view thereof.

1 Claim, 7 Drawing Sheets

(56) **References Cited**

U.S. PATENT DOCUMENTS

3,649,986 A *	3/1972	Dahlund	B05C 17/0227 15/230.11
6,450,232 B1 *	9/2002	Smythe, Jr.	E04F 21/1655 81/485
6,957,470 B2 *	10/2005	Rivadeneira	B05C 17/0227 492/19
D598,477 S *	8/2009	Rosso	D15/138
7,707,678 B2 *	5/2010	Major	B05C 17/022 492/19
8,109,313 B2	2/2012	Rosso et al.		



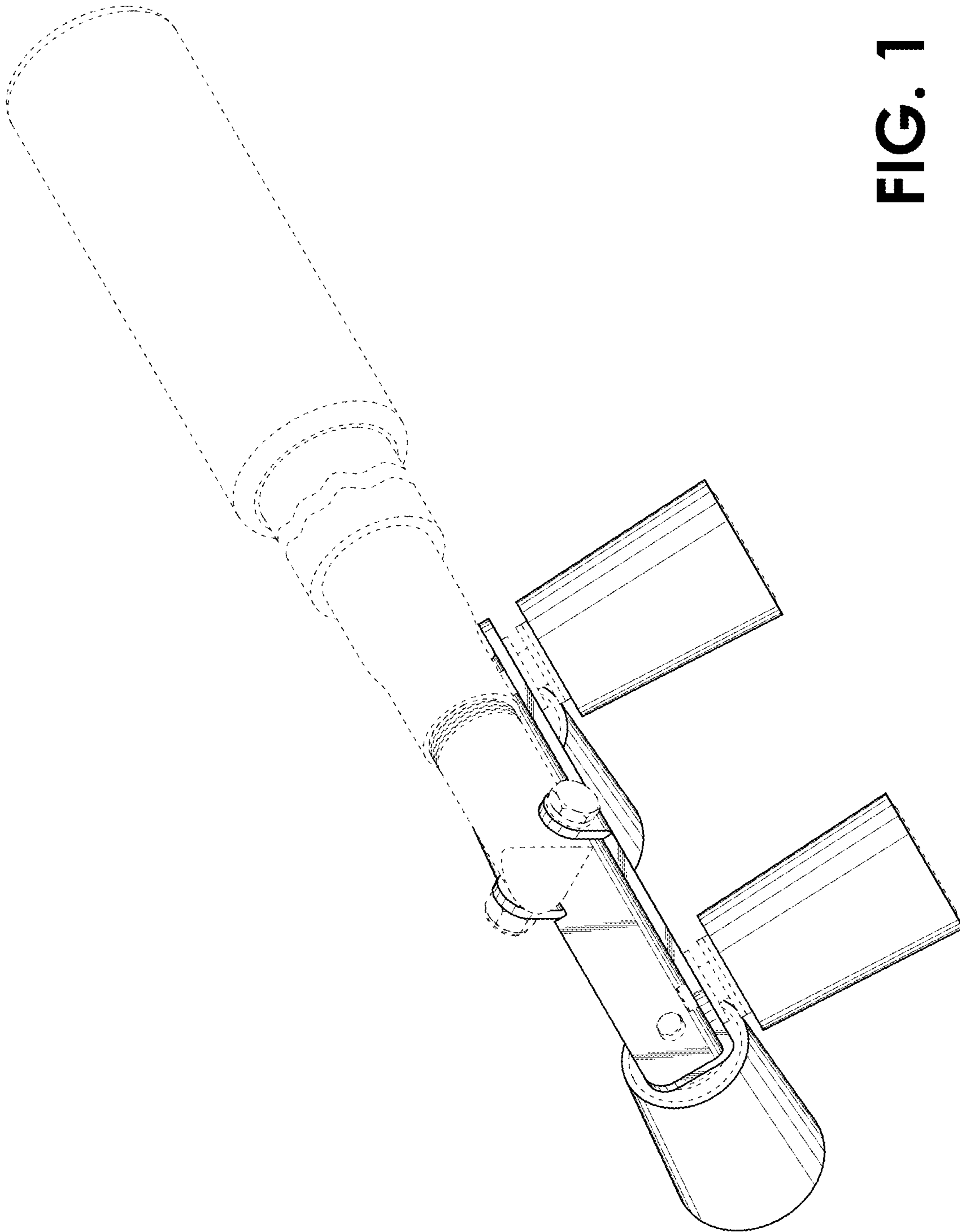


FIG. 1

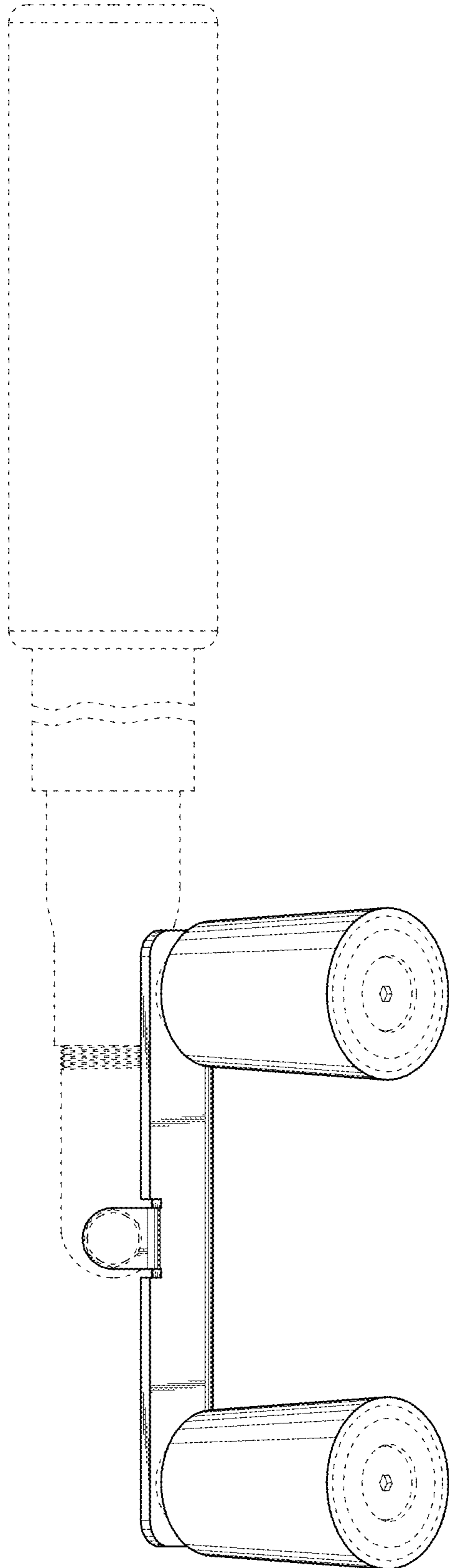


FIG. 2

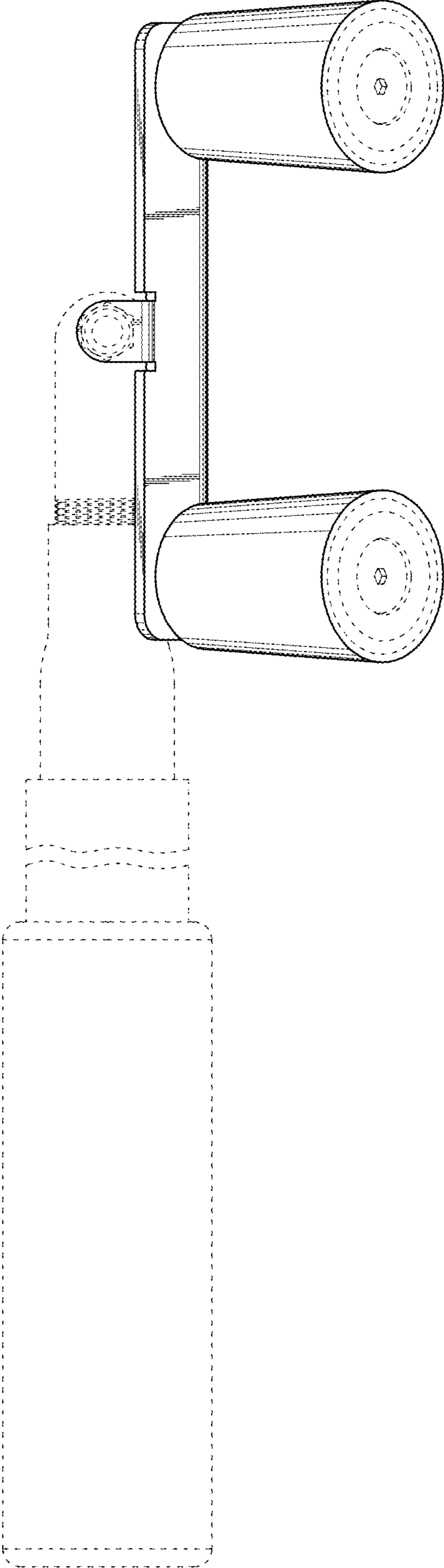


FIG. 3

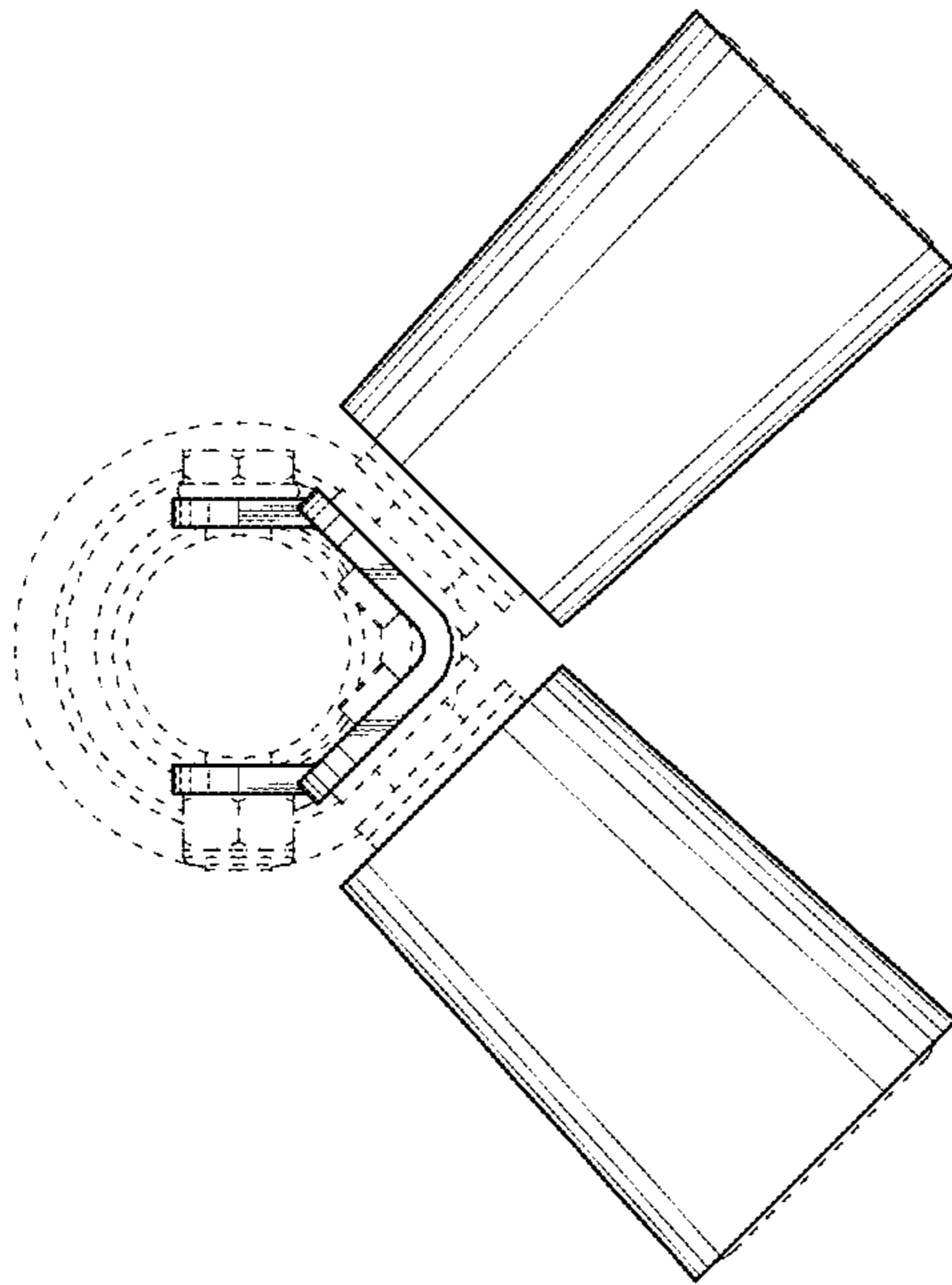


FIG. 4

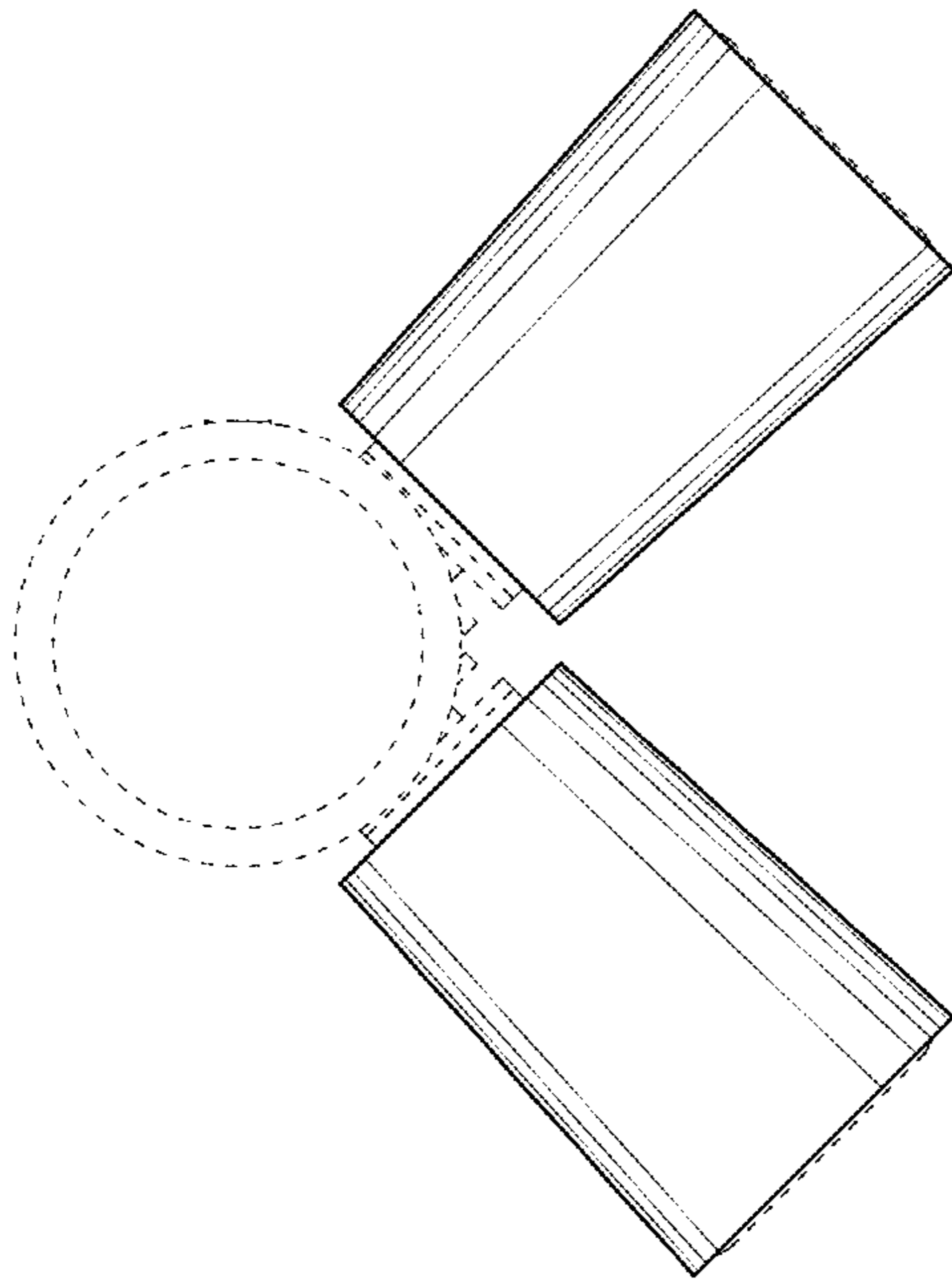


FIG. 5

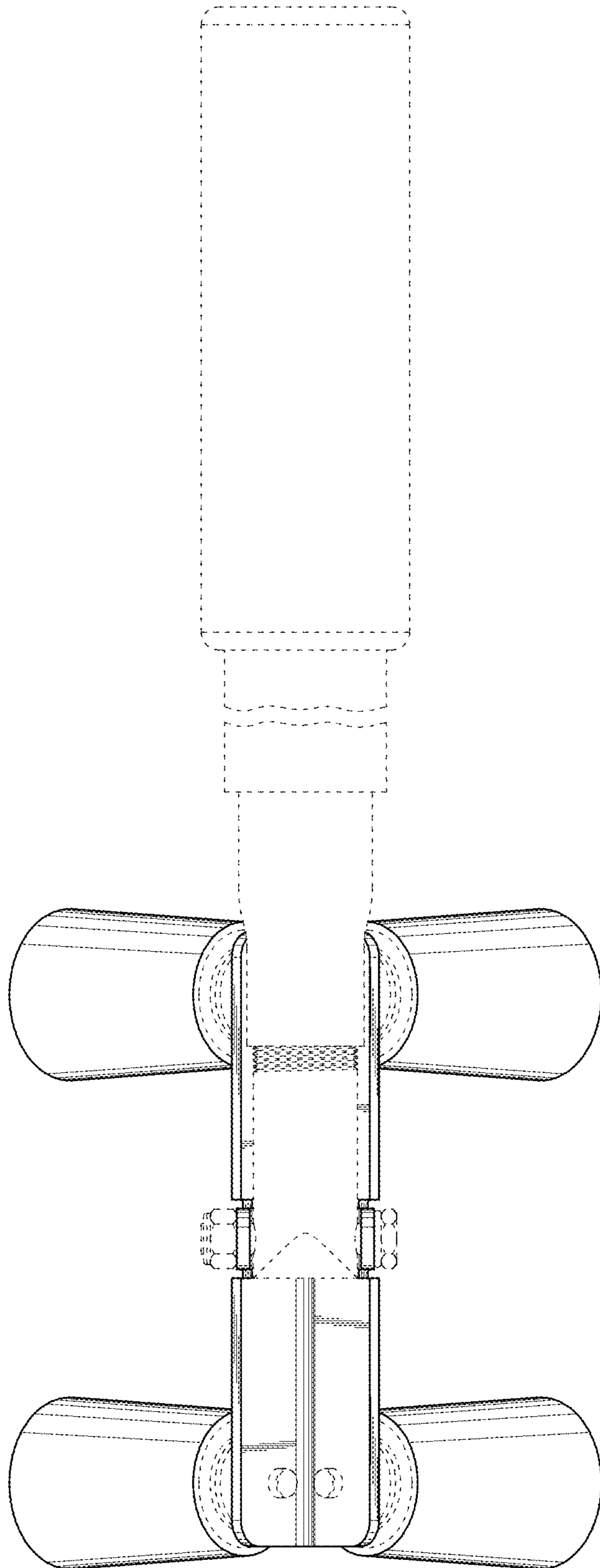


FIG. 6

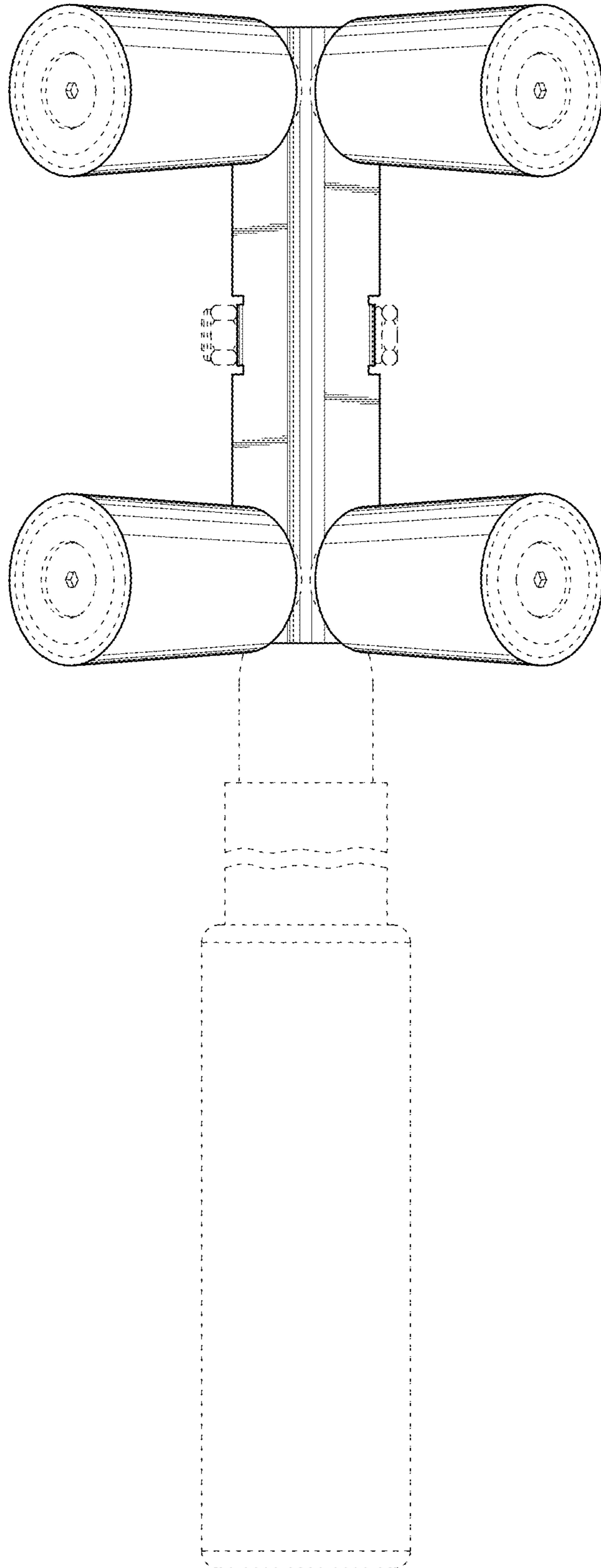


FIG. 7