



US00D955835S

(12) **United States Design Patent**  
**Lee**

(10) **Patent No.:** **US D955,835 S**  
(45) **Date of Patent:** **\*\* Jun. 28, 2022**

(54) **SOCKET**

(71) Applicant: **TIEN-I INDUSTRIAL CO., LTD.**,  
Taichung (TW)

(72) Inventor: **Larry Lee**, Taichung (TW)

(73) Assignee: **TIEN-I INDUSTRIAL CO., LTD.**,  
Taichung (TW)

(\*\*) Term: **15 Years**

(21) Appl. No.: **29/732,701**

(22) Filed: **Apr. 27, 2020**

(51) **LOC (13) Cl.** ..... **08-05**

(52) **U.S. Cl.**  
USPC ..... **D8/29**

(58) **Field of Classification Search**  
USPC ..... D8/25, 29  
CPC .... B25B 13/06; B25B 13/065; B25B 23/0035  
See application file for complete search history.

(56) **References Cited**

**U.S. PATENT DOCUMENTS**

D45,165 S *	1/1914	Warren	81/436
D108,143 S *	1/1938	Mandi	B25B 23/108
			81/121.1
2,961,905 A *	11/1960	Stumpf	B25B 23/108
			81/124.6
D341,763 S *	11/1993	Espin	B25B 13/06
			D8/86
D363,011 S *	10/1995	Gruner	B25B 13/065
			D8/29
D506,908 S *	7/2005	Hsien	B25B 23/0035
			D8/29
D520,311 S *	5/2006	Saunders	D8/29
D521,826 S *	5/2006	Hsieh	D8/29
D544,322 S *	6/2007	Horobec	D8/29
D550,049 S *	9/2007	Peng	D8/29
D550,050 S *	9/2007	Peng	D8/29
D628,868 S *	12/2010	Laurie	D8/29

D636,240 S *	4/2011	Laurie	D8/29
2015/0040729 A1 *	2/2015	Ou	B25B 13/06
			81/121.1
2020/0139522 A1 *	5/2020	Chiang	B25B 13/06
2020/0198102 A1 *	6/2020	Wu	B25B 13/065
2021/0370485 A1 *	12/2021	Hsieh	B25B 23/0035

**OTHER PUBLICATIONS**

“Spanner/Wrench Gear/Ratchet/Ring Socket Adapters 1/4", 3/8", 1/2" AT738.” Amazon.Co.Uk, Apr. 21, 2018, Retrieved Mar. 1, 2022 URL<www.amazon.co.uk/Wrench-Chain-Adapter-Female-%C3%A0738/dp/B01N3SF2D8> (Year: 2018).\*

“Tool Shop Box Wrench SAE Socket Adapter Set—4 Piece.” Menards, Mar. 17, 2017, Retrieved Mar. 1, 2022. URL<www.menards.com/main/tools/hand-tools/socket-extensions-adapters/tool-shop-reg-box-wrench-sae-socket-adapter-set-4-piece/aspa4p/p-1444428113652.htm> (Year: 2017).\*

\* cited by examiner

*Primary Examiner* — Rachel A. Voorhies

*Assistant Examiner* — Benjamin D. Wannemacher

(74) *Attorney, Agent, or Firm* — Muncy, Geissler, Olds & Lowe, P.C.

(57) **CLAIM**

I claim the ornamental design for a socket, as shown and described.

**DESCRIPTION**

FIG. 1 is a top, front, right perspective view of a socket showing my new design;

FIG. 2 is a front elevational view thereof;

FIG. 3 is a rear elevational view thereof;

FIG. 4 is a left side view thereof;

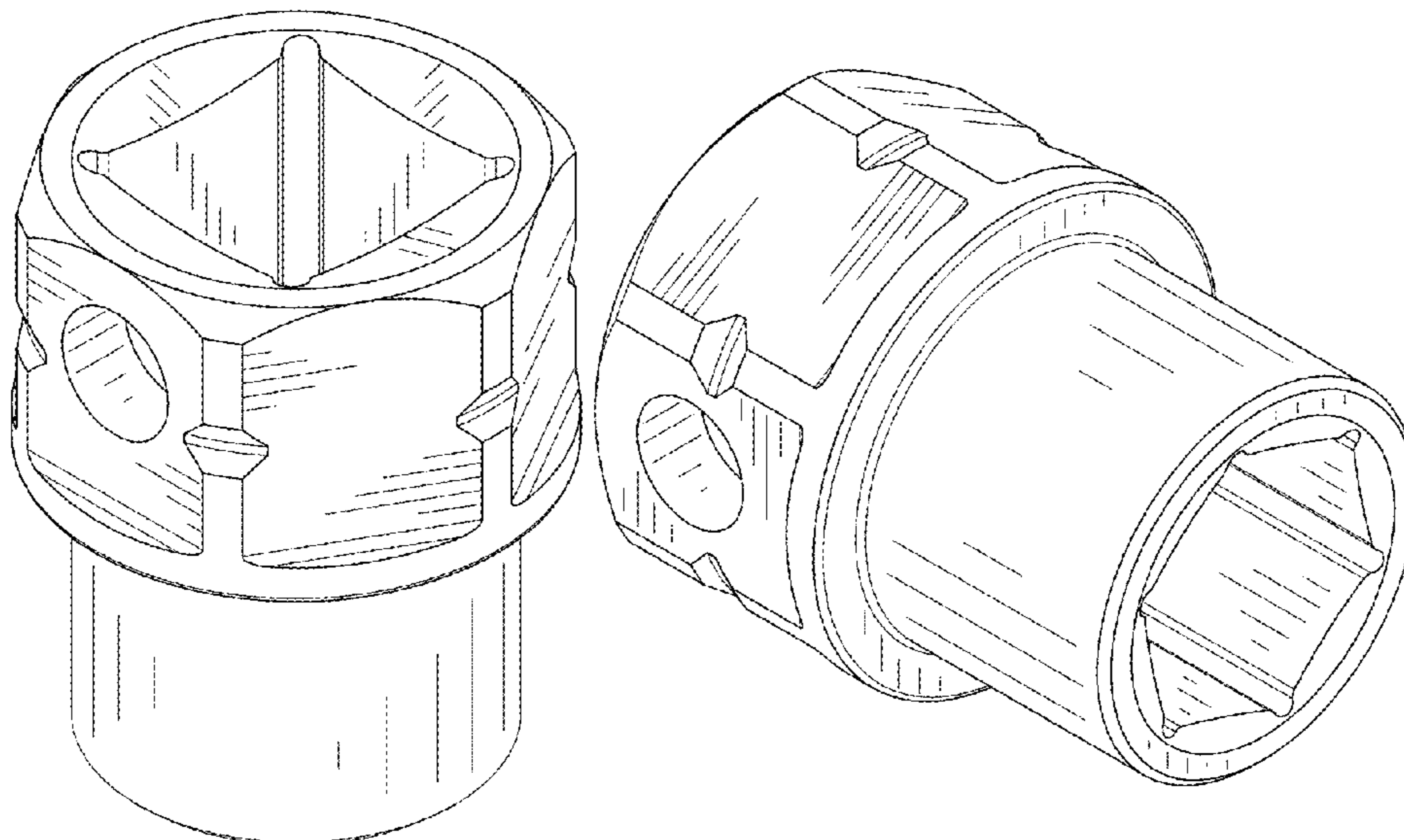
FIG. 5 is a right side view thereof;

FIG. 6 is a top plan view thereof;

FIG. 7 is a bottom plan view thereof; and,

FIG. 8 is a bottom, front, right perspective view.

**1 Claim, 5 Drawing Sheets**



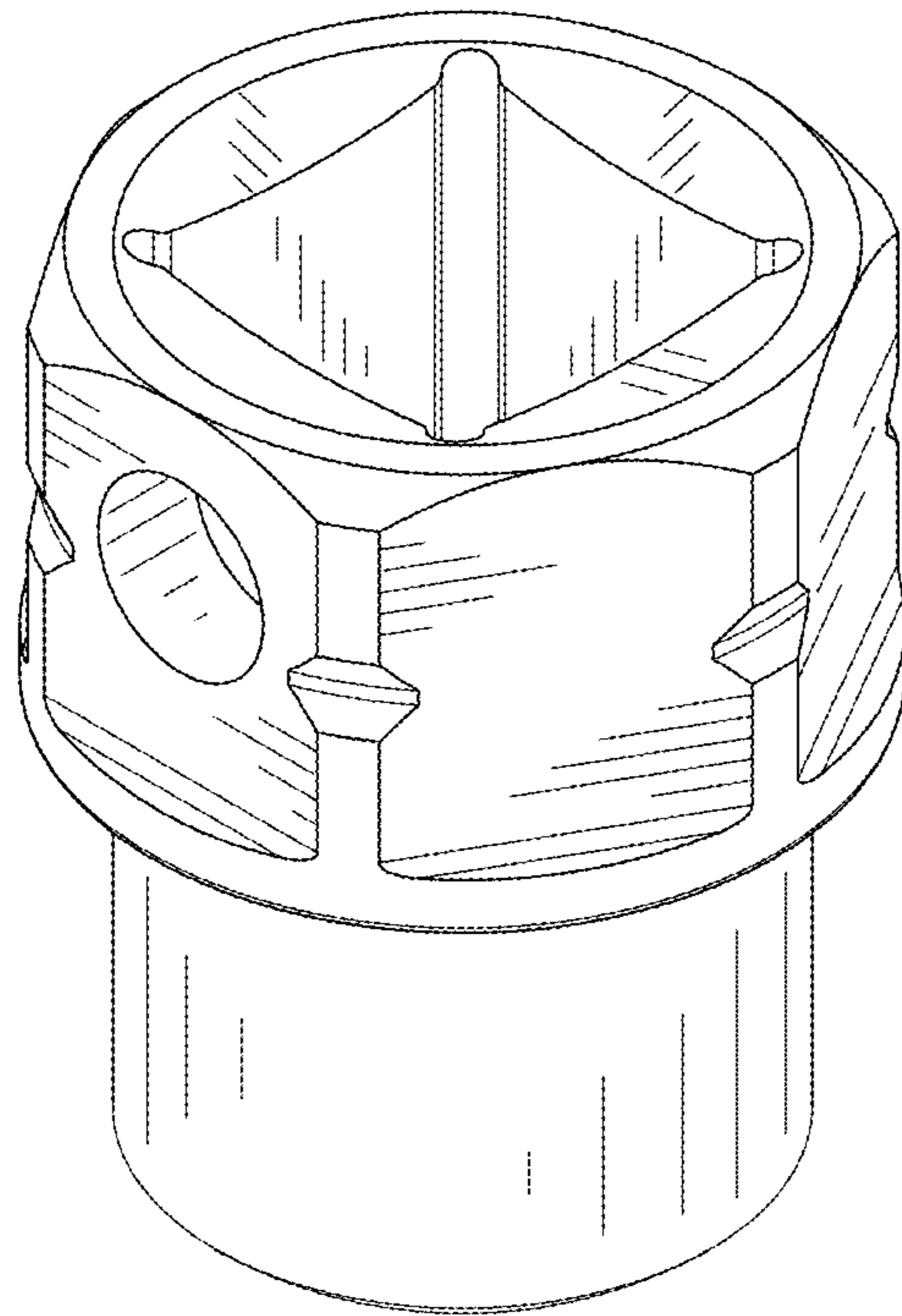


FIG. 1

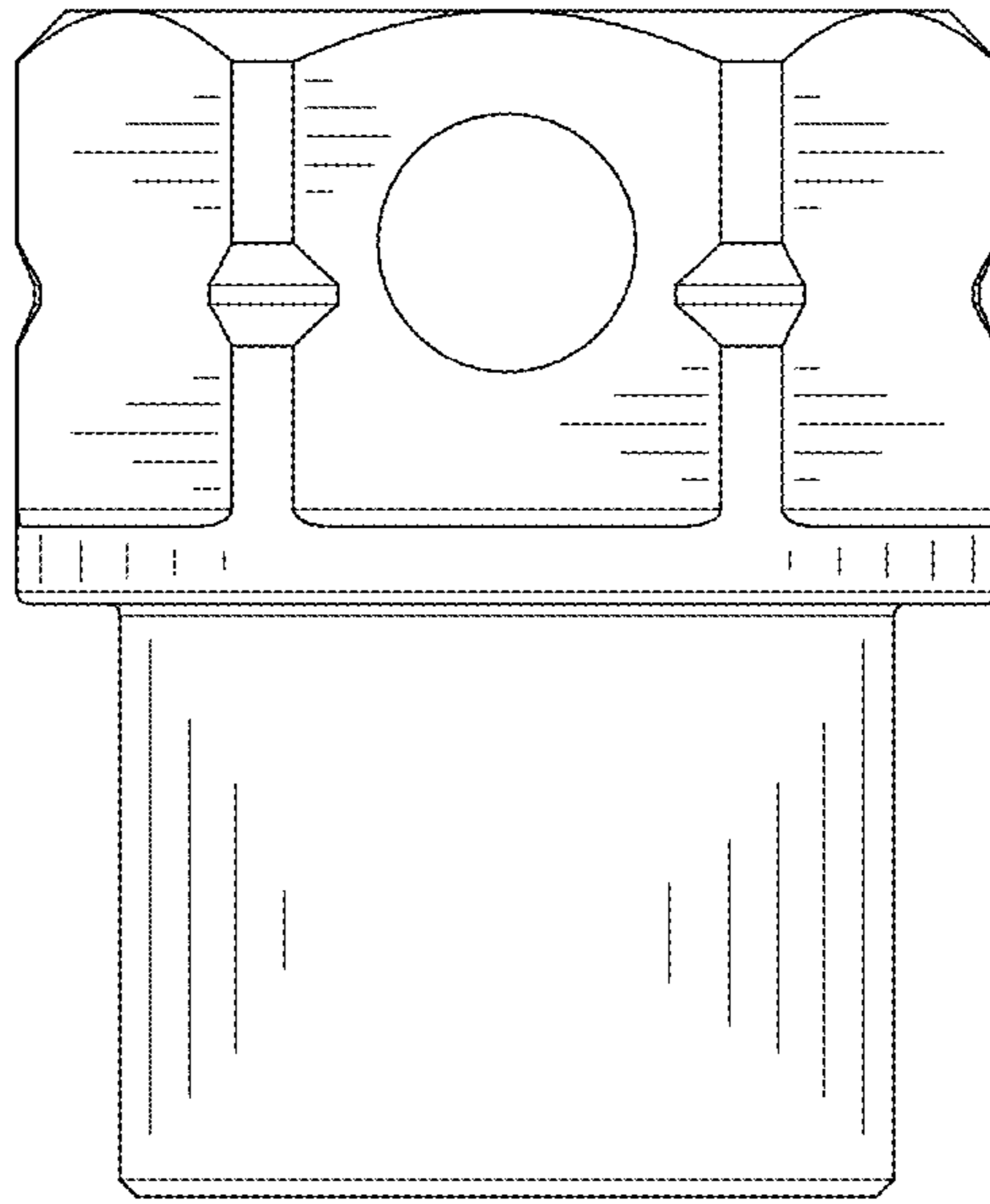


FIG. 2

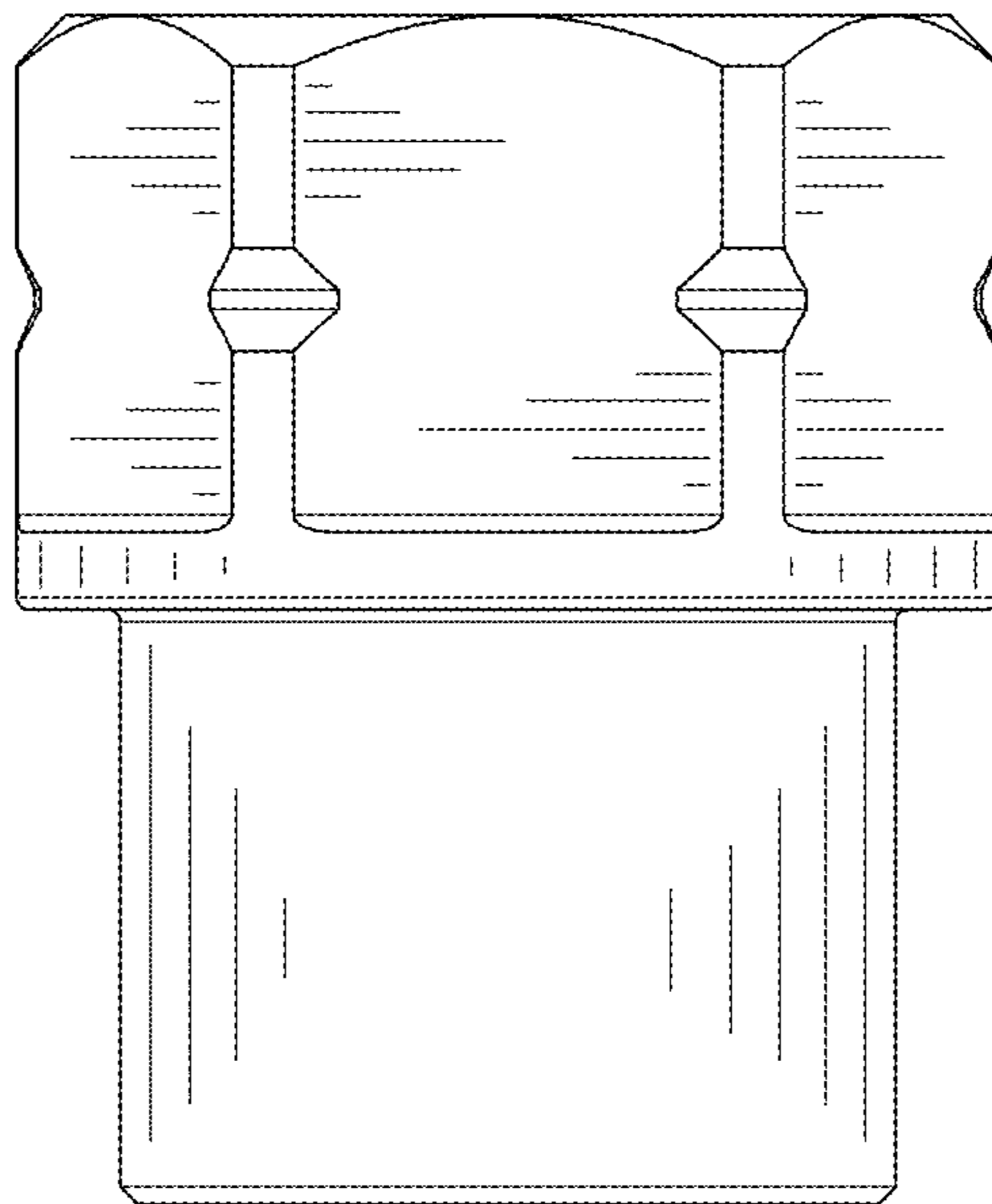


FIG. 3

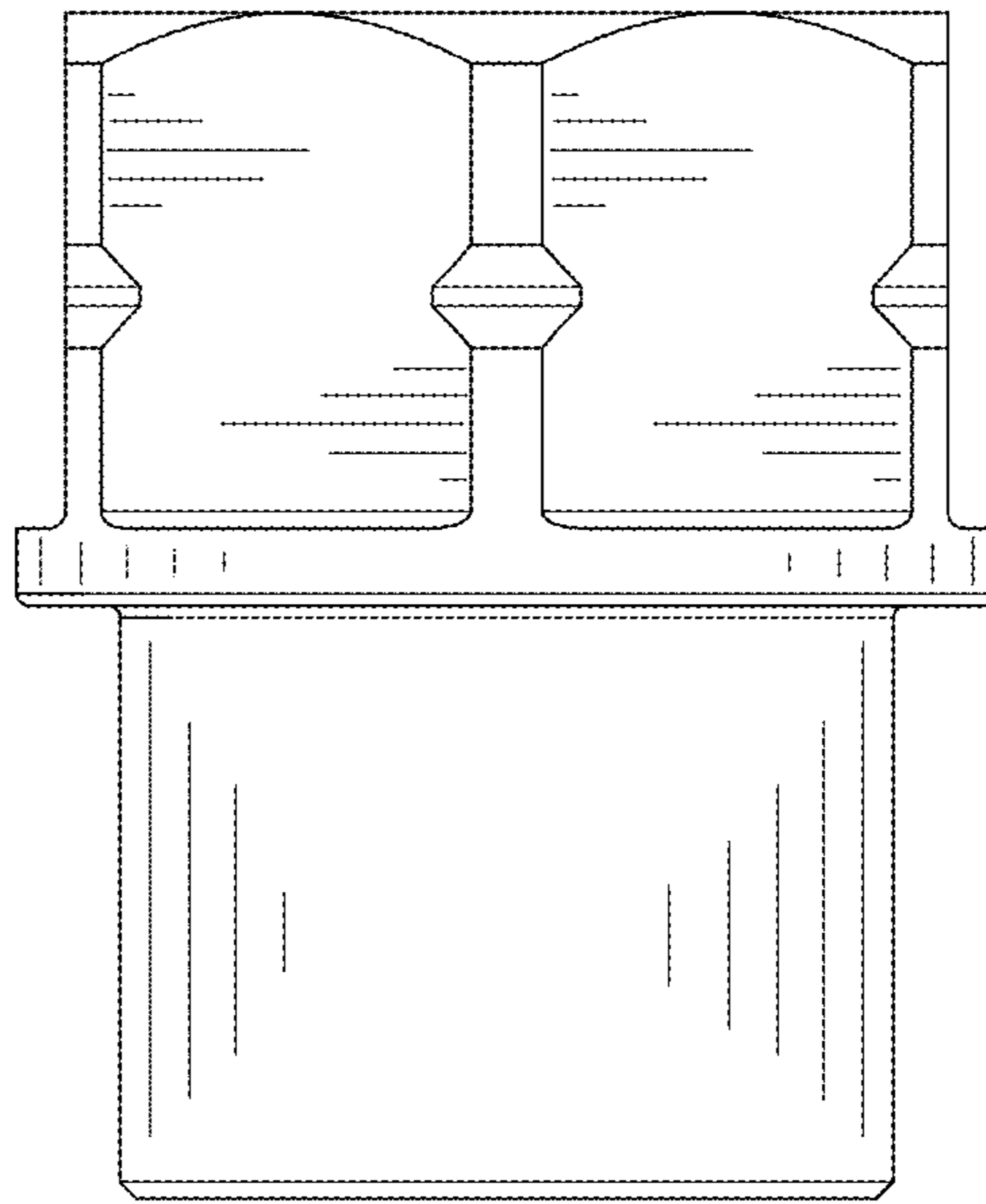


FIG. 4

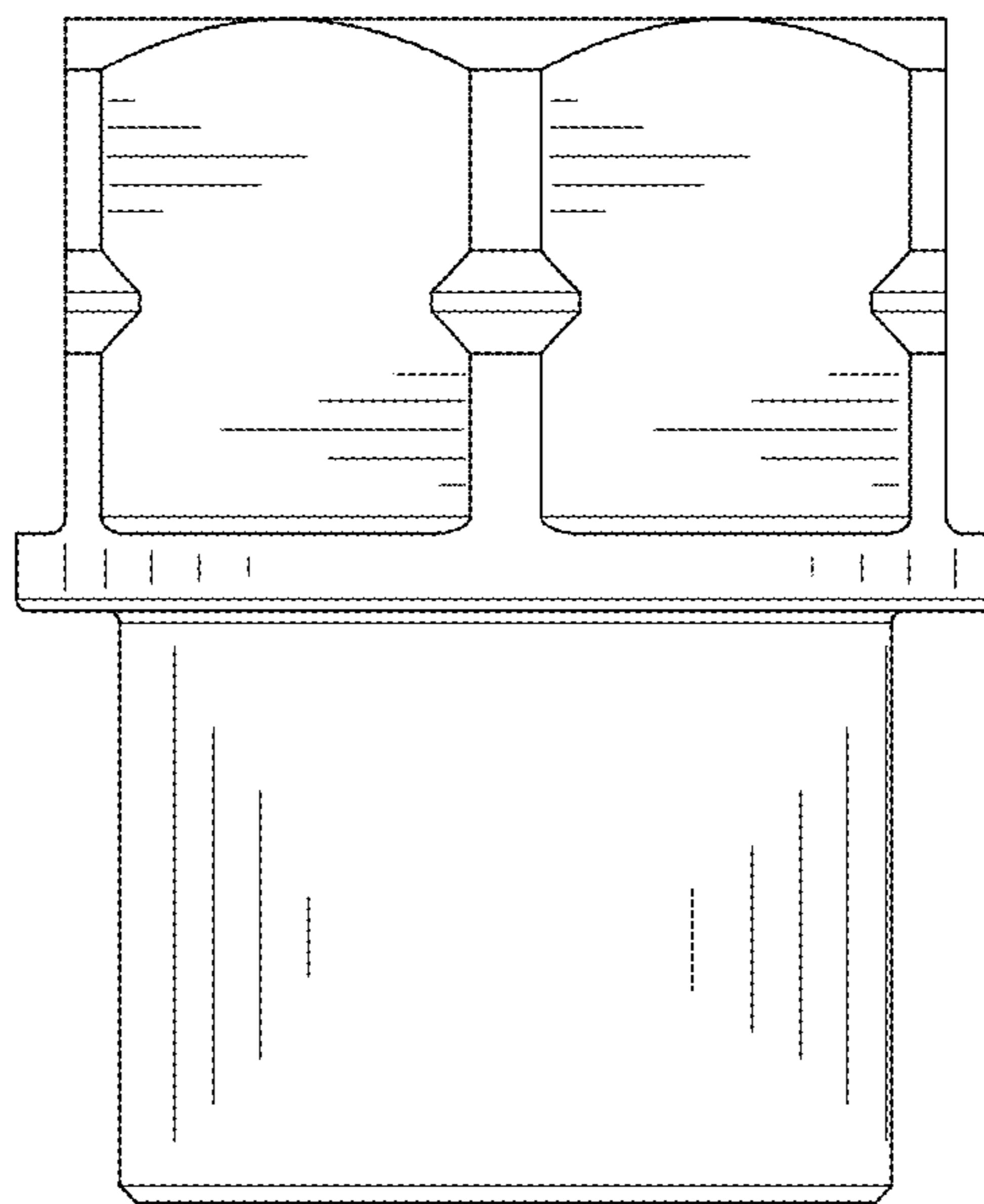


FIG. 5

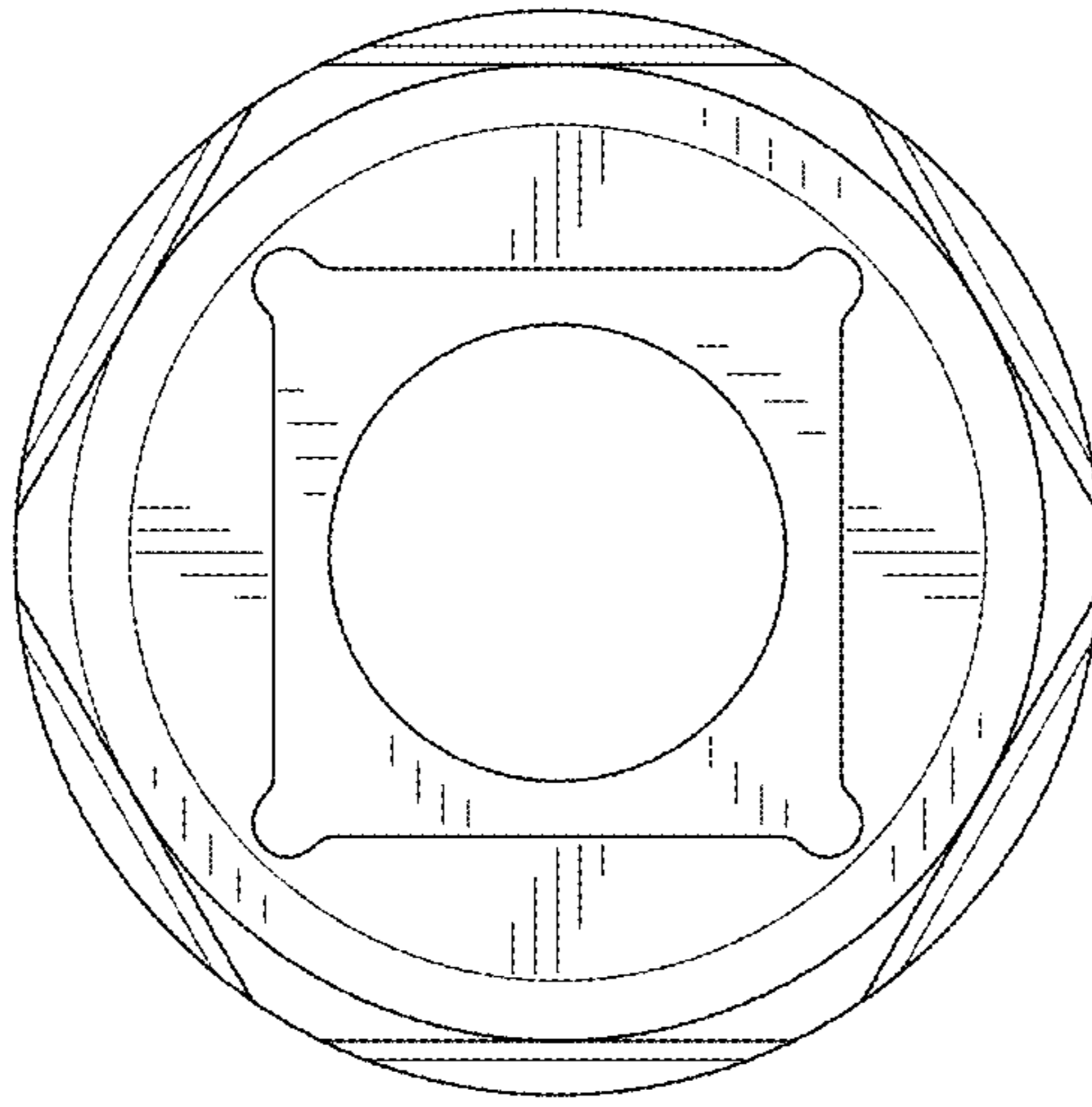


FIG. 6

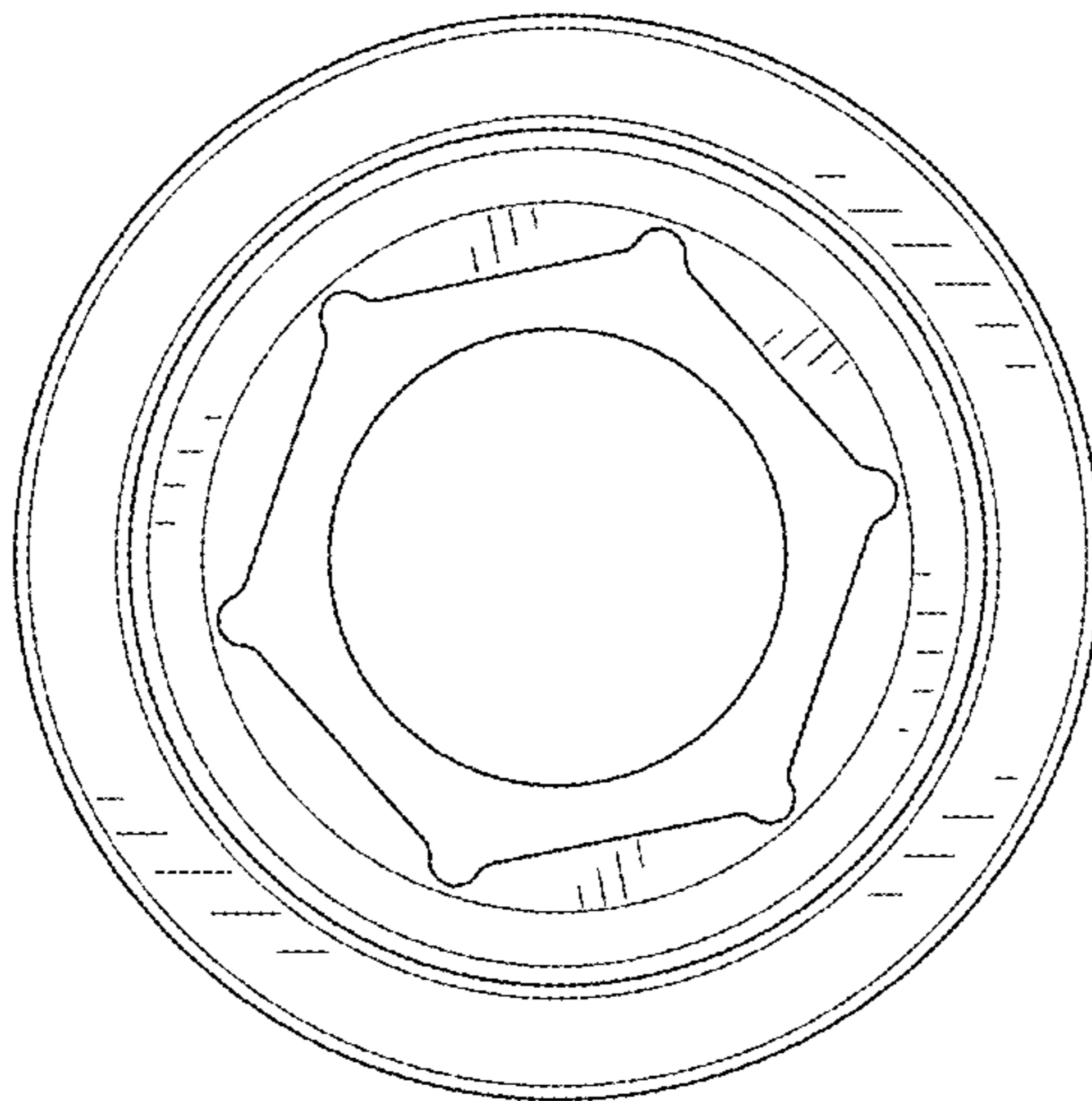


FIG. 7



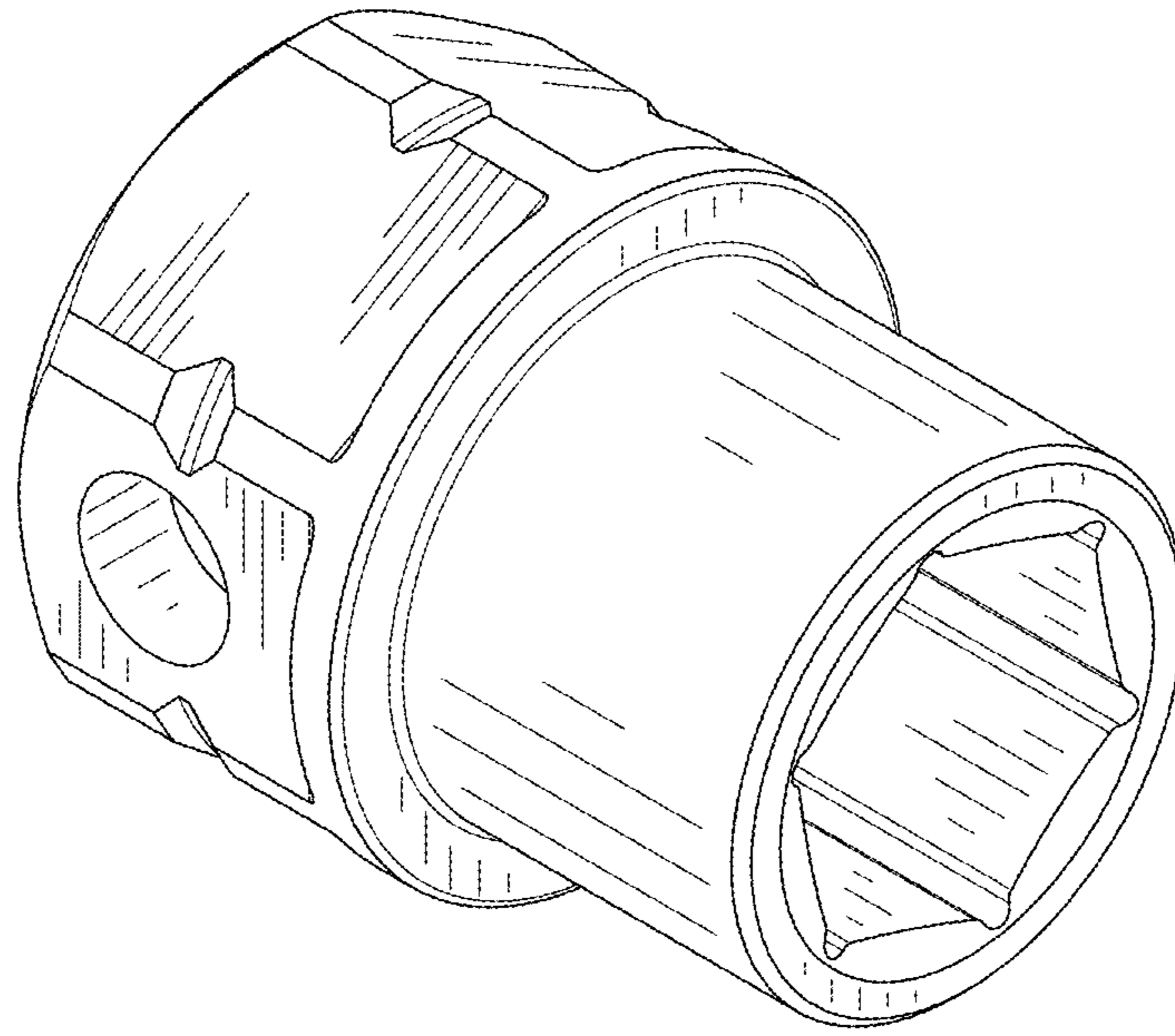


FIG. 8