



US00D955833S

(12) **United States Design Patent**
Wang

(10) **Patent No.:** **US D955,833 S**
(45) **Date of Patent:** **** Jun. 28, 2022**

(54) **WINE GLASS HOLDER**

D817,728 S * 5/2018 Brown D7/701
D907,972 S 1/2021 Wang
D911,789 S 3/2021 Wang

(71) Applicant: **Chunxiao Wang**, Zhejiang (CN)

(72) Inventor: **Chunxiao Wang**, Zhejiang (CN)

(**) Term: **15 Years**

(21) Appl. No.: **29/797,900**

(22) Filed: **Jul. 2, 2021**

(30) **Foreign Application Priority Data**

Jul. 1, 2021 (EM) 008598619-0001

(51) **LOC (13) Cl.** **07-06**

(52) **U.S. Cl.**

USPC **D7/701**

(58) **Field of Classification Search**

USPC D7/701-708, 550.1, 553.1-553.5, 554.3;
D6/552, 525, 527, 512, 672, 569, 534,
D6/535, 682.2; D3/313

CPC A47B 73/00; A47B 73/006; A47F 5/16;
A47F 7/28; A47F 7/283; A47G 23/0641;
A47G 23/06; A47G 23/02; A47G
23/0208; B25H 3/04; A45C 11/20

See application file for complete search history.

(56) **References Cited**

U.S. PATENT DOCUMENTS

D127,900 S * 6/1941 Block D6/699
D198,098 S * 4/1964 Kaneko D7/701
4,947,991 A * 8/1990 Snell A47B 13/16
206/427
D505,841 S * 6/2005 Fiedeler D7/637
D786,029 S * 5/2017 Pannell D7/708

OTHER PUBLICATIONS

Amazon.com, Rocksly Mixology Bartender Kit and Cocktail Shaker Set, pp. 1-13, ASIN: B08XYHHP1V, date first available Mar. 3, 2021. (Year: 2021).*

* cited by examiner

Primary Examiner — Terry A Wallace

(74) *Attorney, Agent, or Firm* — ScienBiziP, P.C.

(57) **CLAIM**

The ornamental design for a wine glass holder, as shown and described.

DESCRIPTION

FIG. 1 is a front, right, and top perspective view of a wine glass holder, showing my design.

FIG. 2 is a rear, left, and bottom perspective view thereof.

FIG. 3 is a front elevation view thereof.

FIG. 4 is a rear elevation view thereof.

FIG. 5 is a left side elevation view thereof.

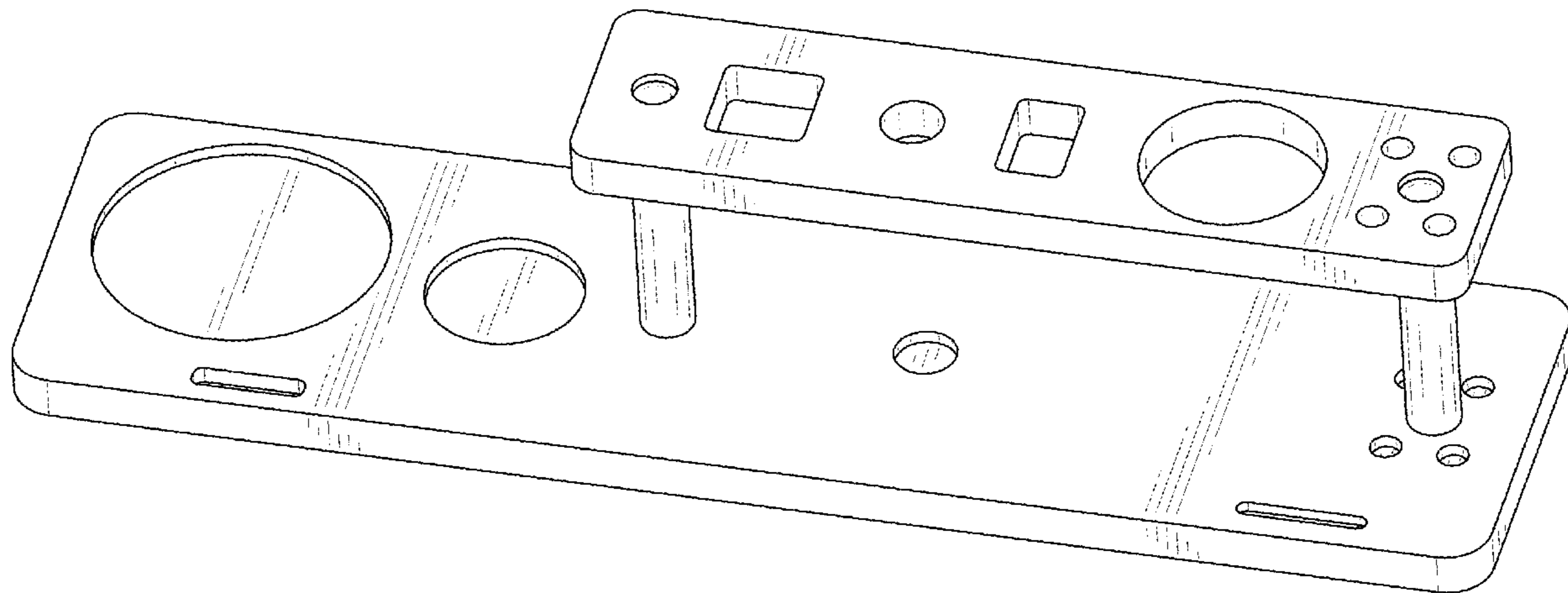
FIG. 6 is a right side elevation view thereof.

FIG. 7 is a top plan view thereof; and,

FIG. 8 is a bottom plan view thereof.

The broken lines shown in the drawings are included for the purpose of illustrating portions of the wine glass holder that form no part of the claimed design.

1 Claim, 8 Drawing Sheets



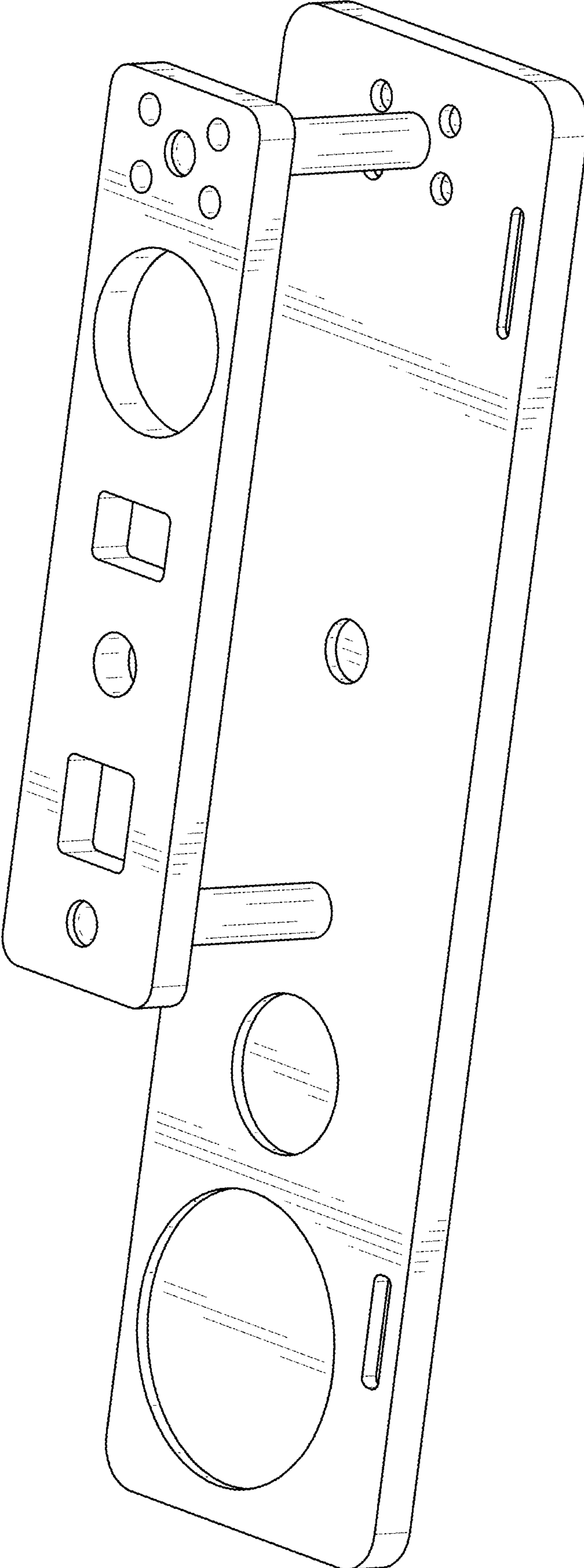


FIG. 1

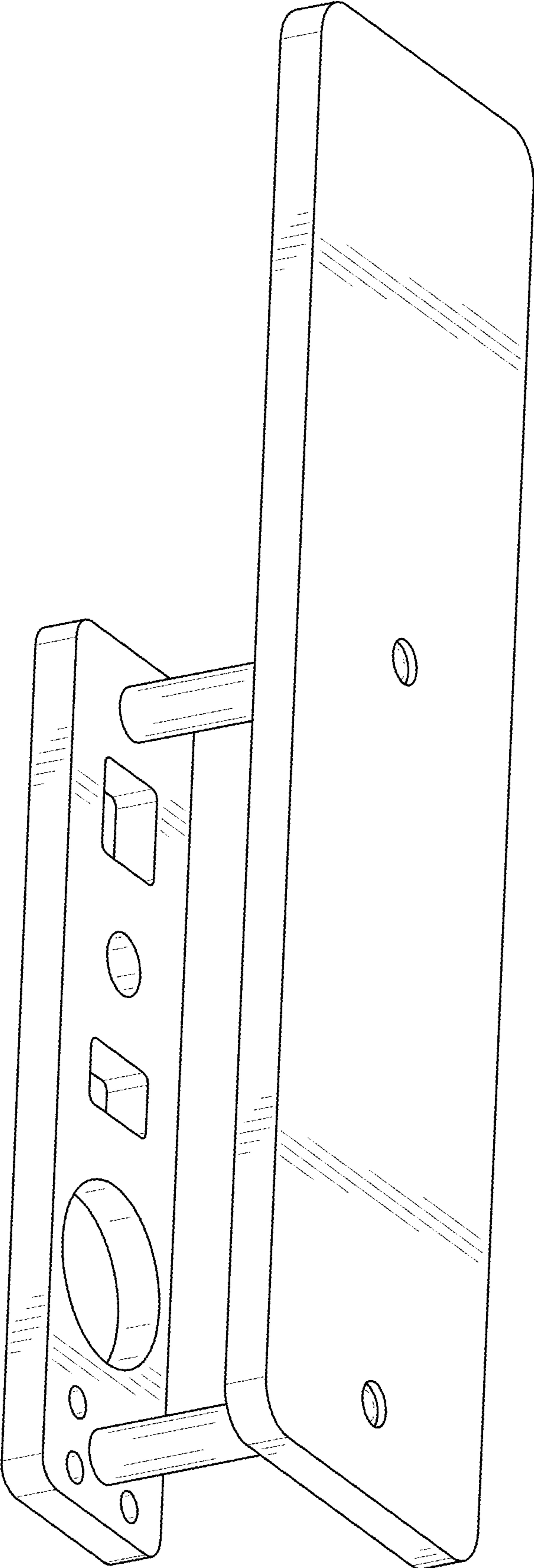


FIG. 2

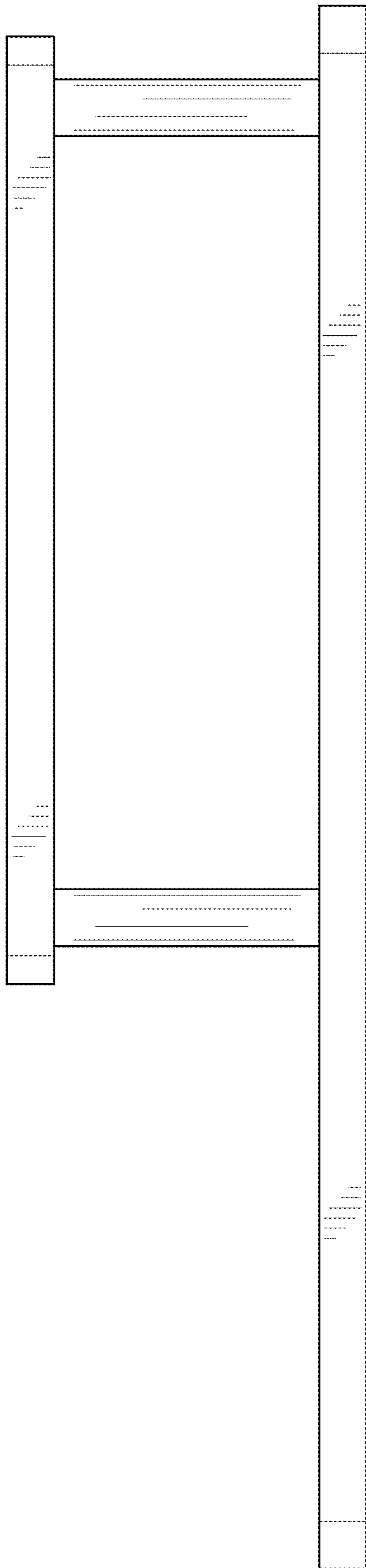


FIG. 3

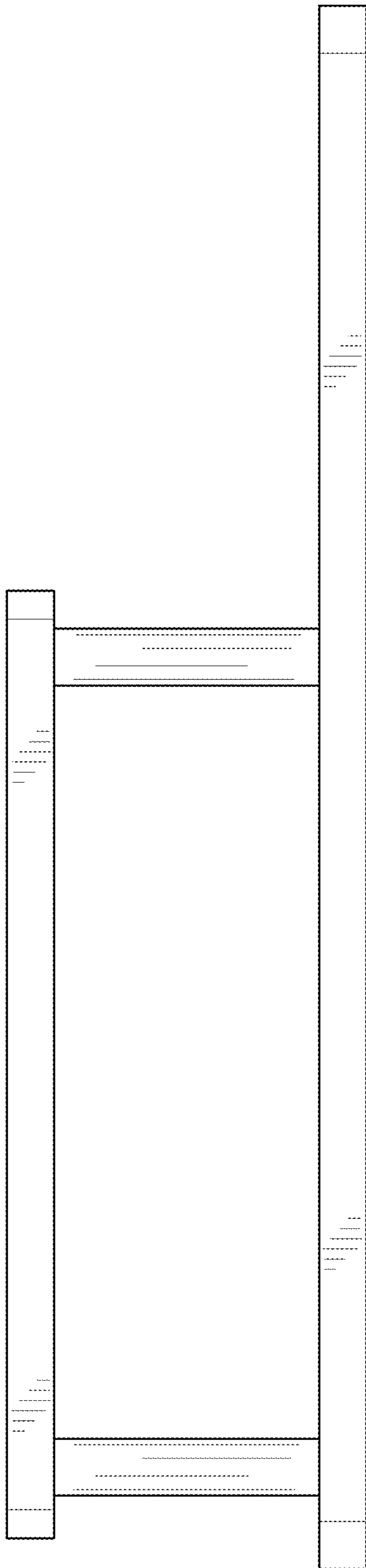


FIG. 4

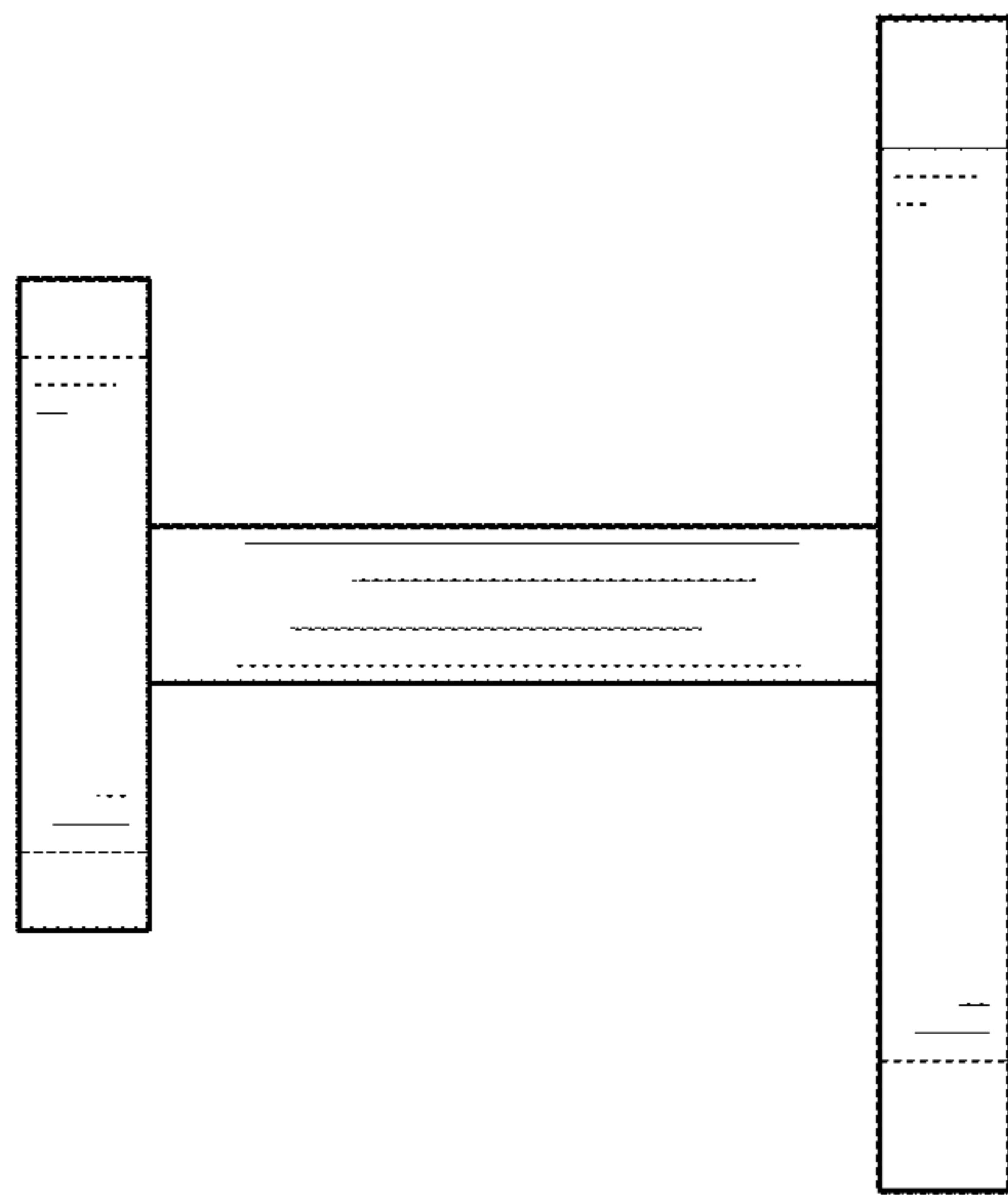


FIG. 5

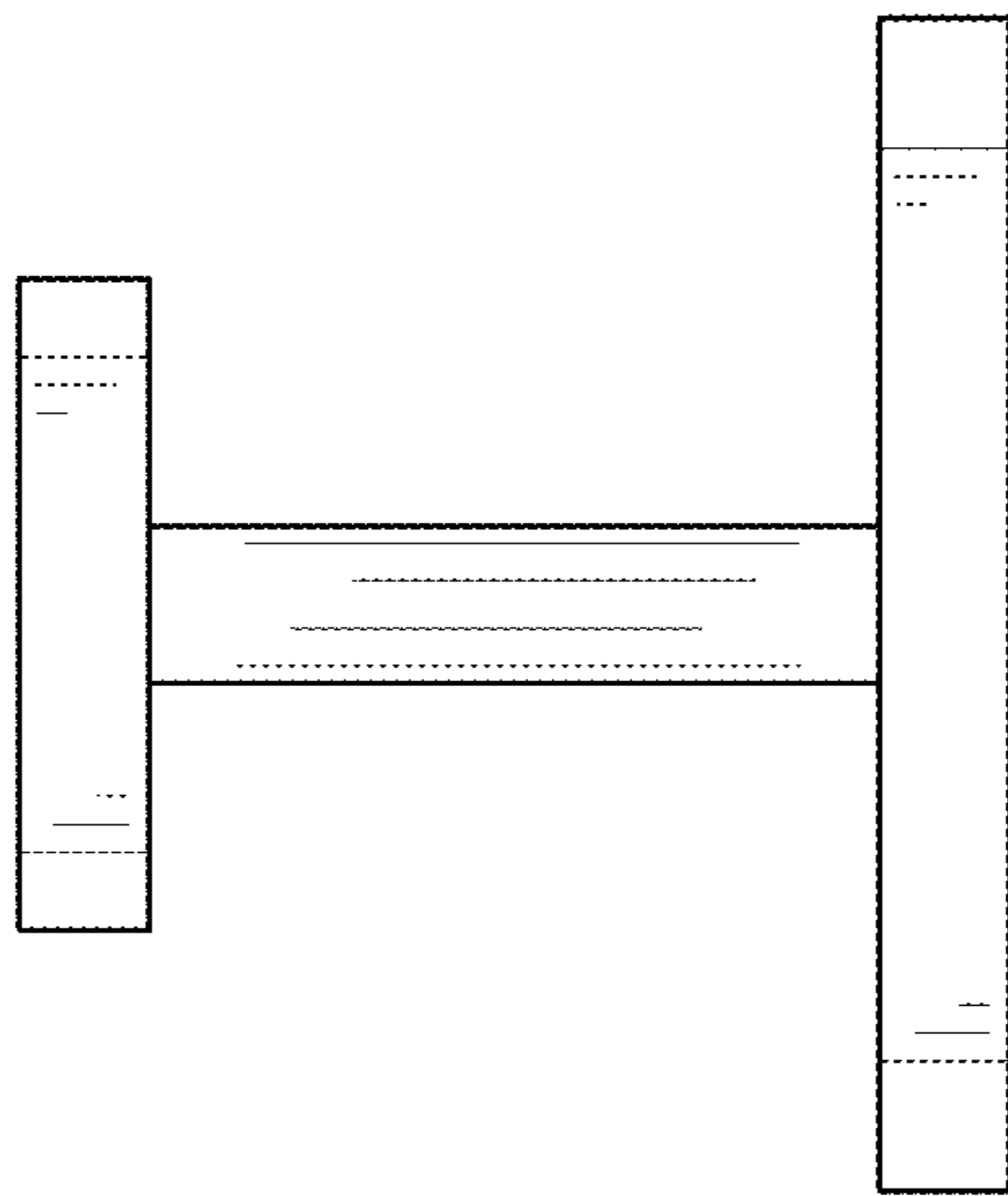


FIG. 6

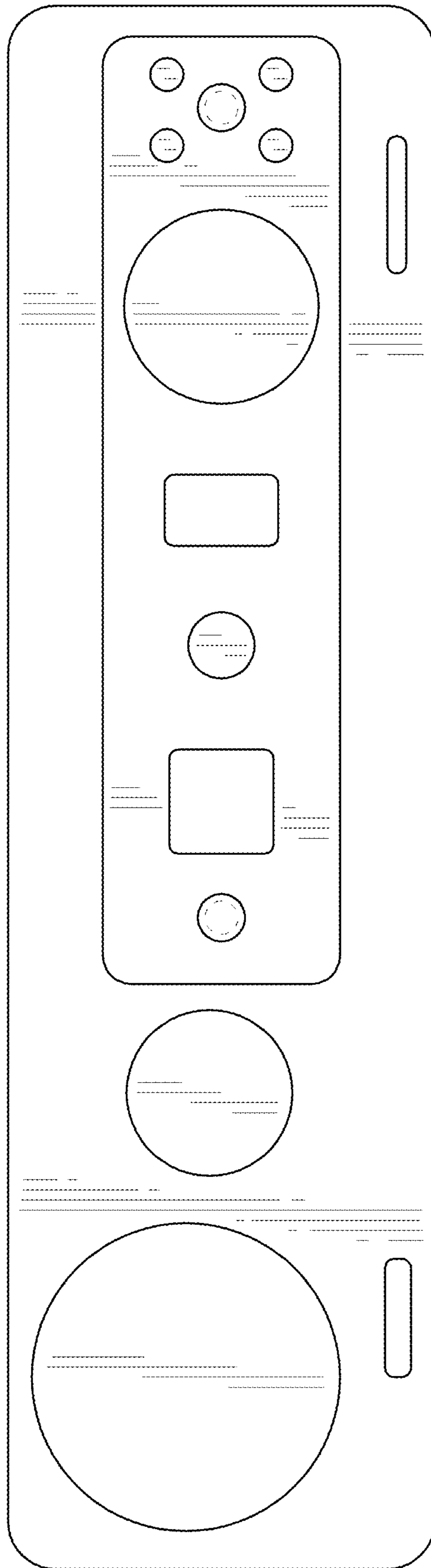


FIG. 7

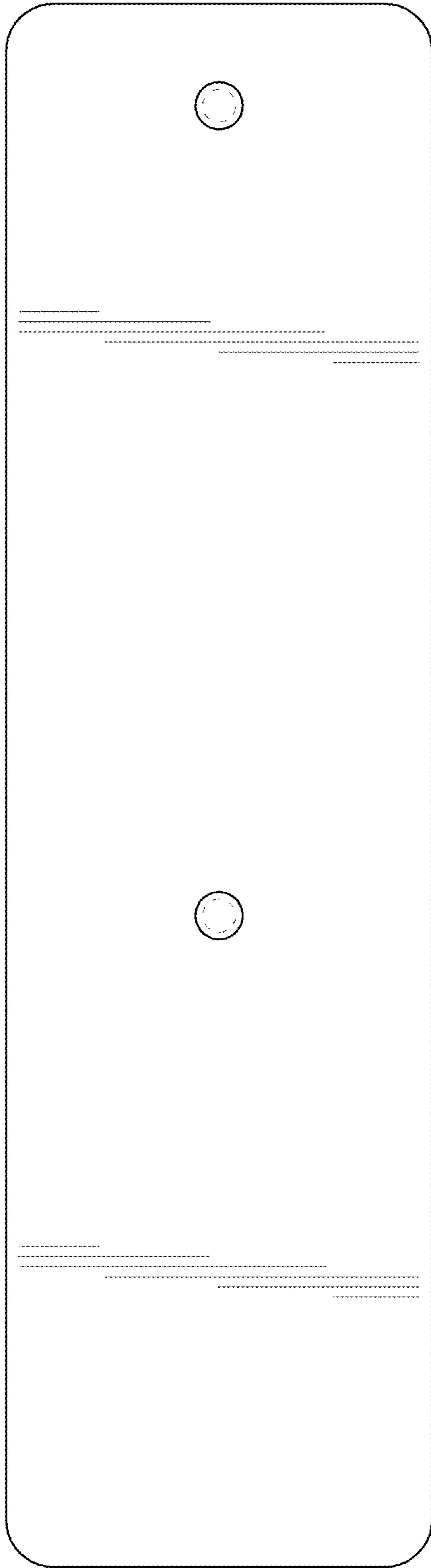


FIG. 8